



US00D454807S

(12) **United States Design Patent**  
**Cappiello**

(10) **Patent No.:** **US D454,807 S**

(45) **Date of Patent:** **\*\* Mar. 26, 2002**

(54) **VEHICLE PARKING INDICATOR SENSOR**

(75) **Inventor:** **Mark Cappiello, New York, NY (US)**

(73) **Assignee:** **Measurement Specialties Inc.,  
Fairfield, NJ (US)**

(\*\*) **Term:** **14 Years**

(21) **Appl. No.:** **29/132,061**

(22) **Filed:** **Nov. 1, 2000**

(51) **LOC (7) Cl. .... 10-05**

(52) **U.S. Cl. .... D10/109**

(58) **Field of Search .... D10/104, 109,  
D10/111, 114, 121; 40/1, 1.5, 1.6, 299,  
590, 591, 592, 593, 606, 611, 612, 624;  
116/63 P, 63 C, 63 R**

(56) **References Cited**

**U.S. PATENT DOCUMENTS**

D407,338 S \* 3/1999 Kline ..... D10/109  
D419,096 S \* 1/2000 Copenhauer ..... D10/109

D437,245 S \* 2/2001 Hurley ..... D10/109  
D438,134 S \* 2/2001 Sloven ..... D10/109  
D443,544 S \* 6/2001 Place ..... D10/109

\* cited by examiner

*Primary Examiner*—Marcus A. Jackson

(74) *Attorney, Agent, or Firm*—Duane Morris LLP

(57) **CLAIM**

The ornamental design for a vehicle parking indicator sensor, as shown and described.

**DESCRIPTION**

FIG. 1 is front view of an ornamental design for a vehicle parking indicator sensor.

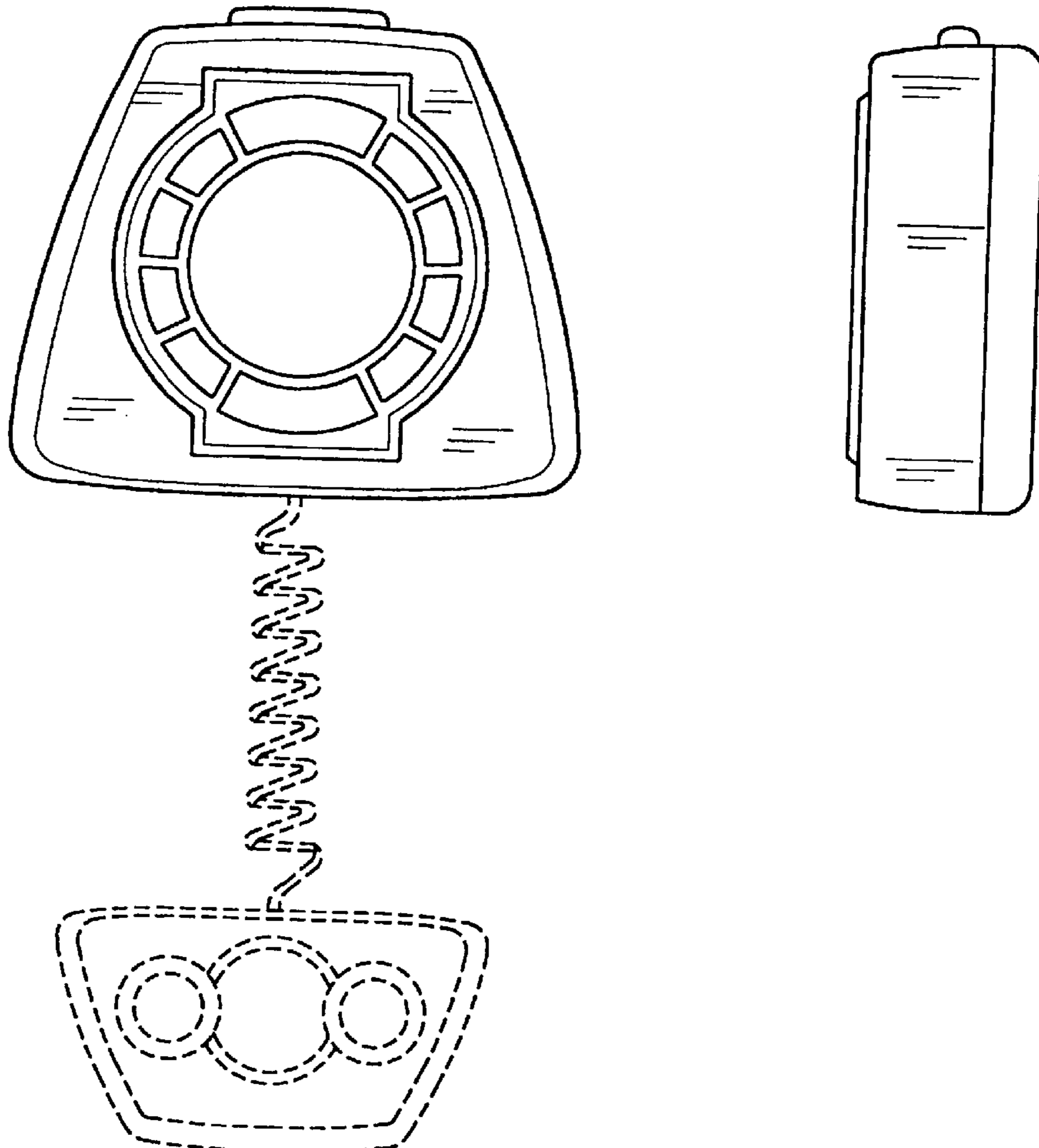
FIG. 2 is a top view of the vehicle parking indicator sensor of FIG. 1.

FIG. 3 is a bottom view thereof; and,

FIG. 4 is a side view thereof, wherein the opposite side is substantially a mirror image thereof.

The broken lines shown in the figures are for illustrative purposes only and forms no part of the claimed design.

**1 Claim, 1 Drawing Sheet**



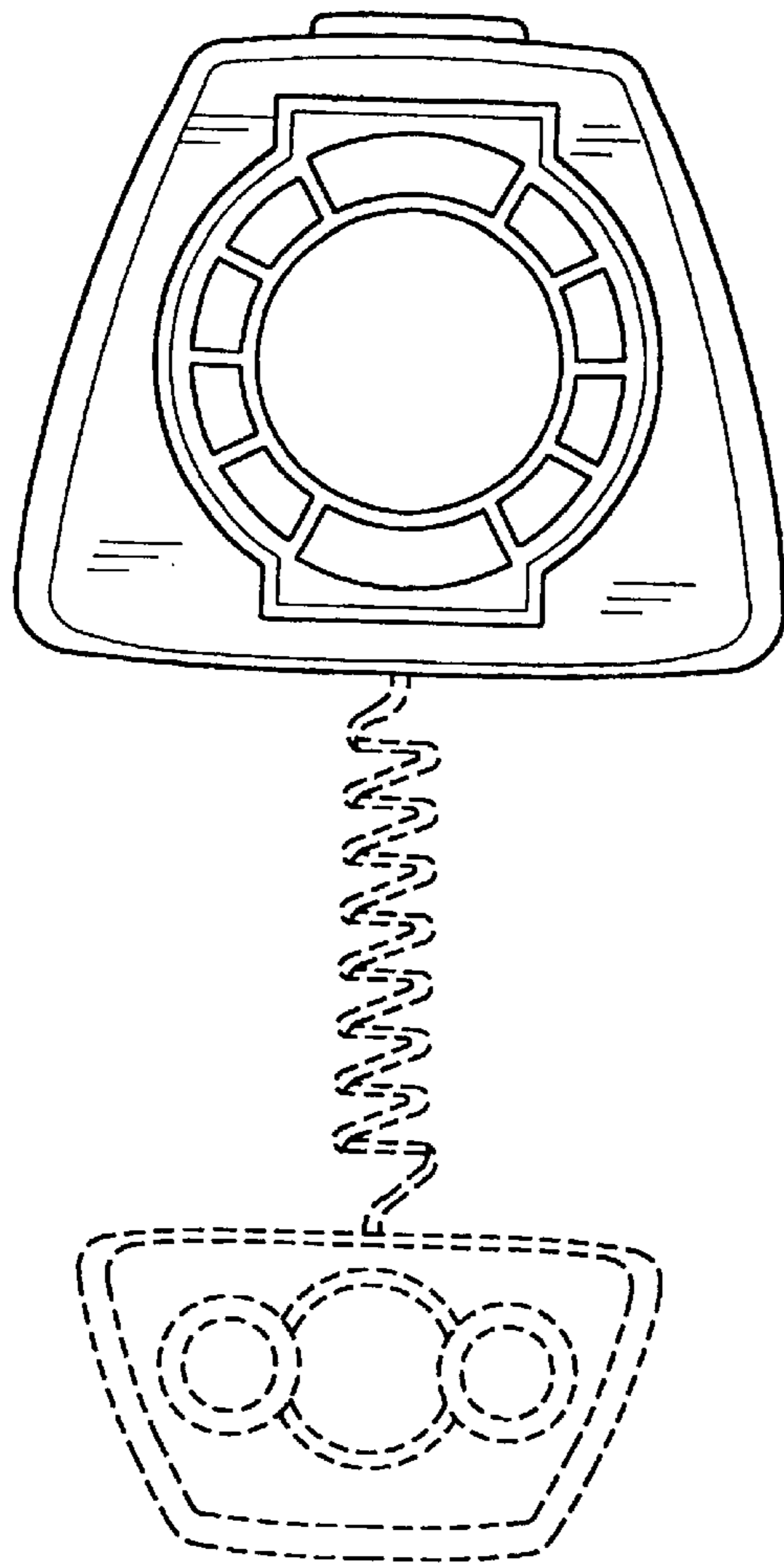


FIG. 1

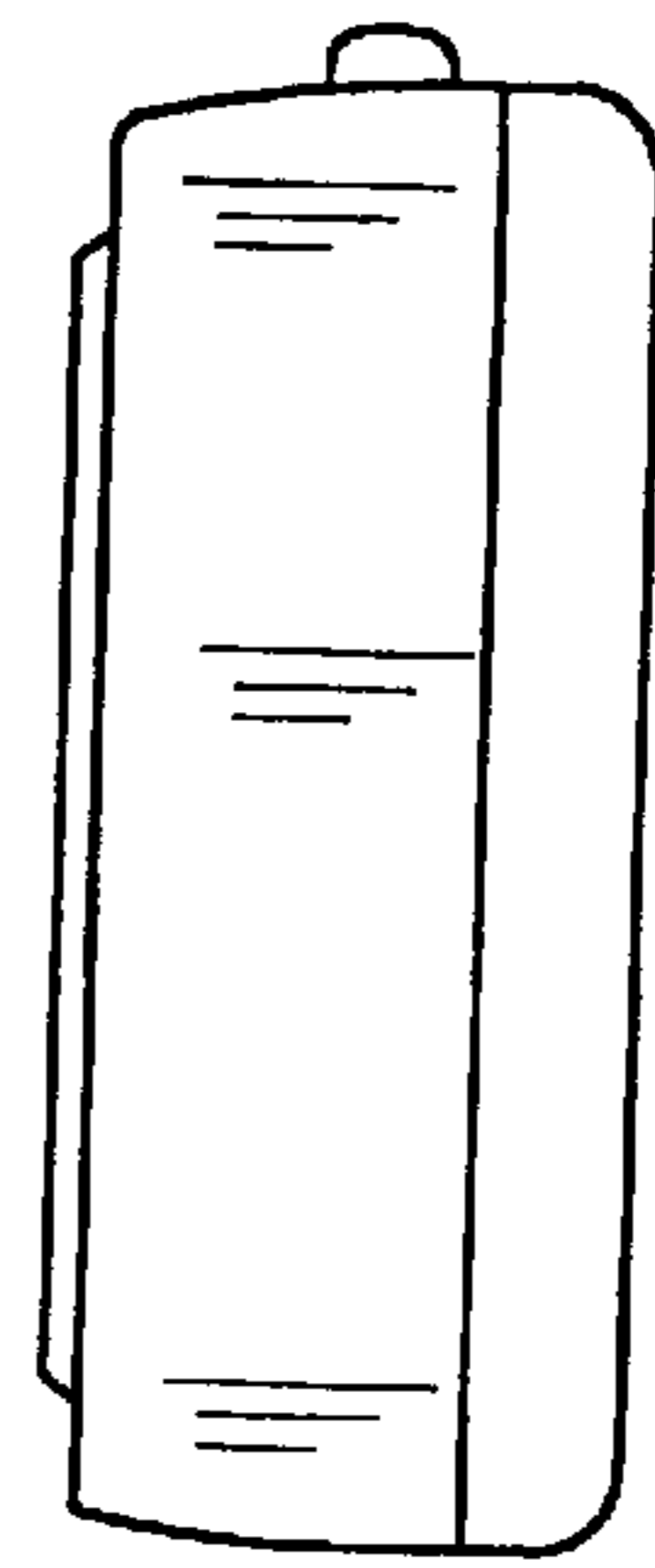


FIG. 4

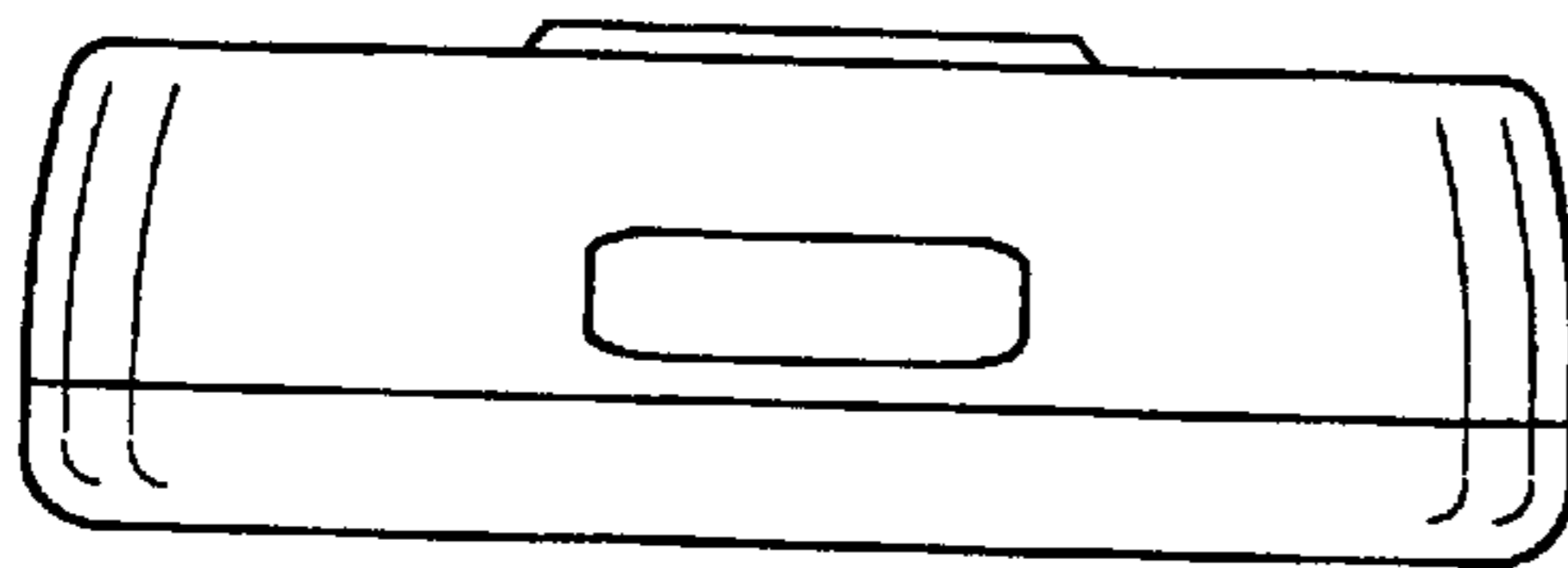


FIG. 2

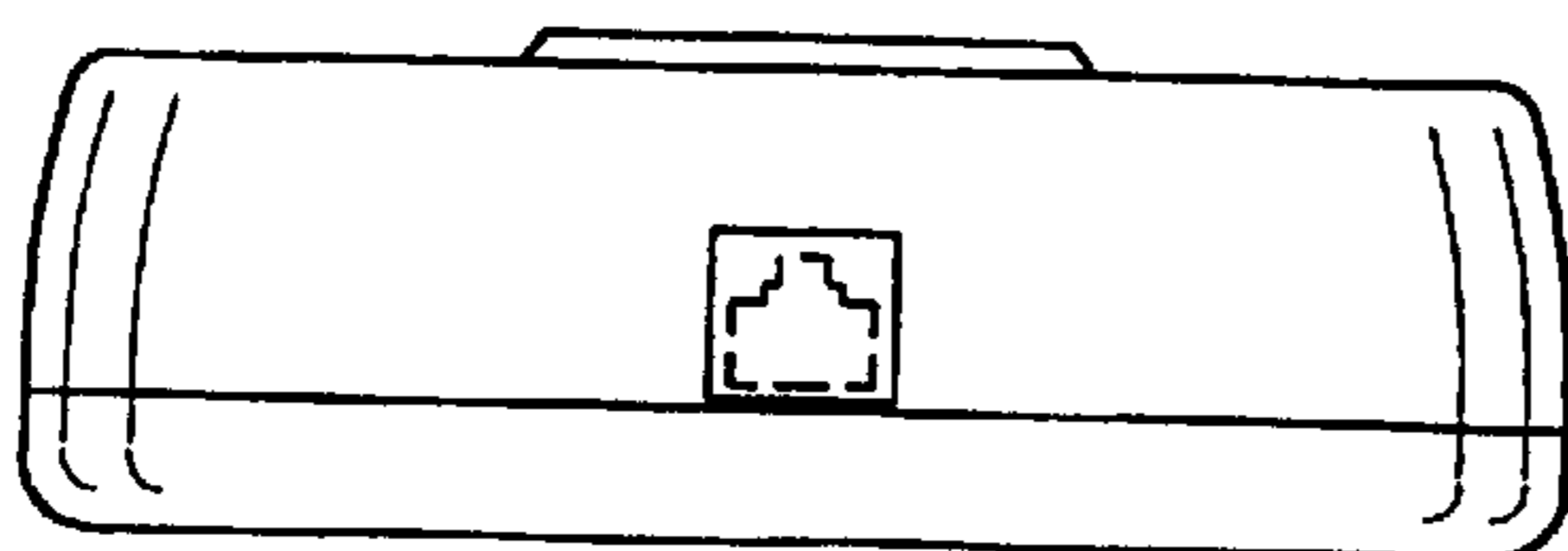


FIG. 3