



US00D454793S

(12) **United States Design Patent**
Chang

(10) **Patent No.:** **US D454,793 S**

(45) **Date of Patent:** **** Mar. 26, 2002**

(54) **CLOCK**

(75) **Inventor:** **Eddie Chang, Kowloon (HK)**

(73) **Assignee:** **Man Nin Shing Company Limited (HK)**

(**) **Term:** **14 Years**

(21) **Appl. No.:** **29/132,382**

(22) **Filed:** **Nov. 9, 2000**

(51) **LOC (7) Cl.** **10-01**

(52) **U.S. Cl.** **D10/6; D10/22**

(58) **Field of Search** **D10/1, 2, 3-15, D10/16-18, 19-40, 122-132; 368/10, 276, 277, 285, 316, 317; D12/175, 176**

(56) **References Cited**

U.S. PATENT DOCUMENTS

D74,825 S * 4/1928 Cramer D10/33
D126,380 S * 4/1941 Dinisheim D10/33

D224,131 S * 7/1972 Musy D10/33
D300,806 S * 4/1989 Martin D10/6
D305,223 S * 12/1989 Breiding et al. D12/176
D397,068 S * 8/1998 Cattaneo D12/176

* cited by examiner

Primary Examiner—Martie K. Holtje

(74) *Attorney, Agent, or Firm*—H. Jay Spiegel

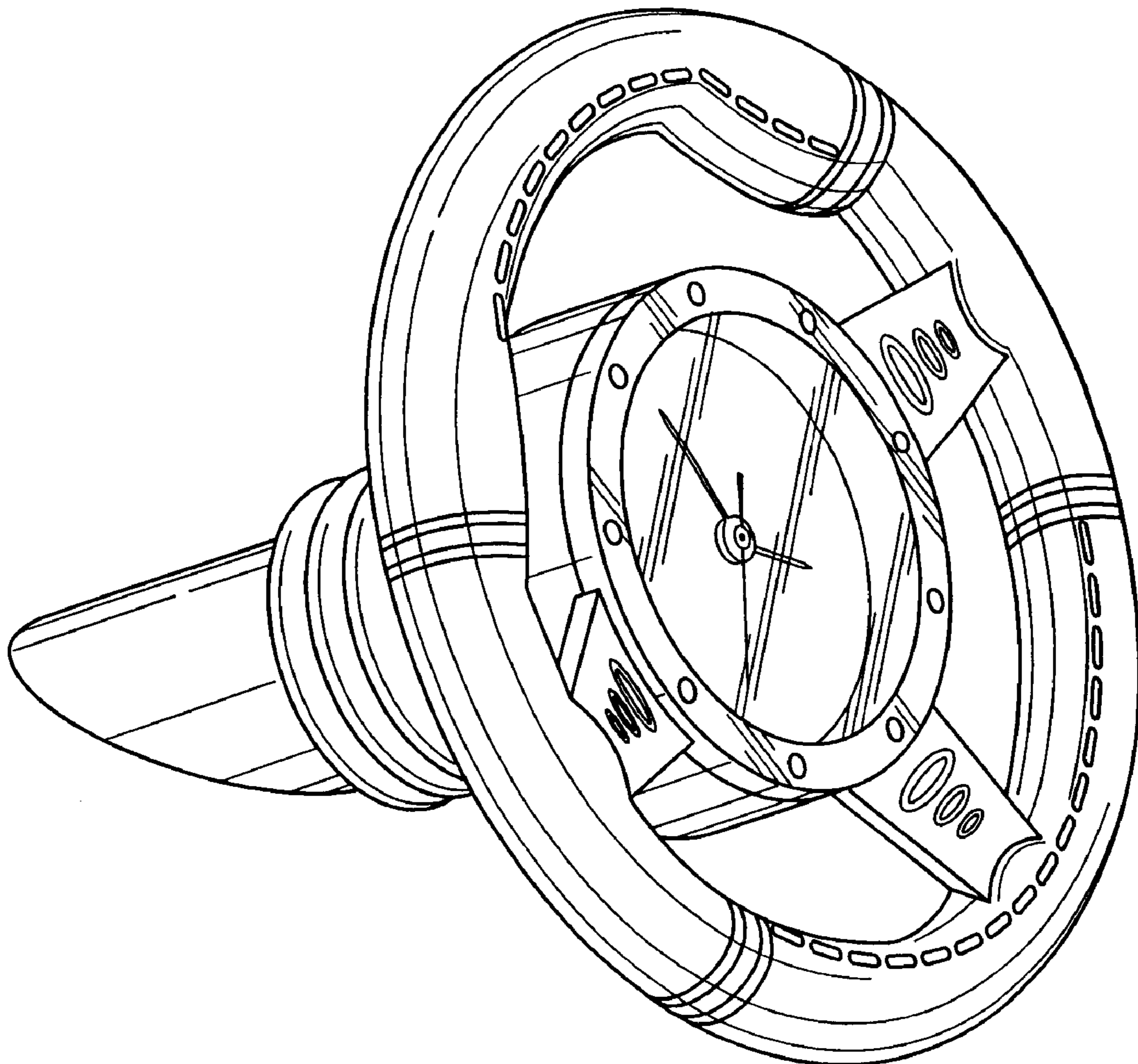
(57) **CLAIM**

The ornamental design for a clock, as shown and described.

DESCRIPTION

FIG. 1 shows a front perspective view of my claimed design. FIG. 2 shows a front view of my claimed design. FIG. 3 shows a top plan view of my claimed design. FIG. 4 shows a left side view of my claimed design. FIG. 5 shows a right side view of my claimed design. FIG. 6 shows a rear view of my claimed design; and, FIG. 7 shows a bottom plan view of my claimed design.

1 Claim, 4 Drawing Sheets



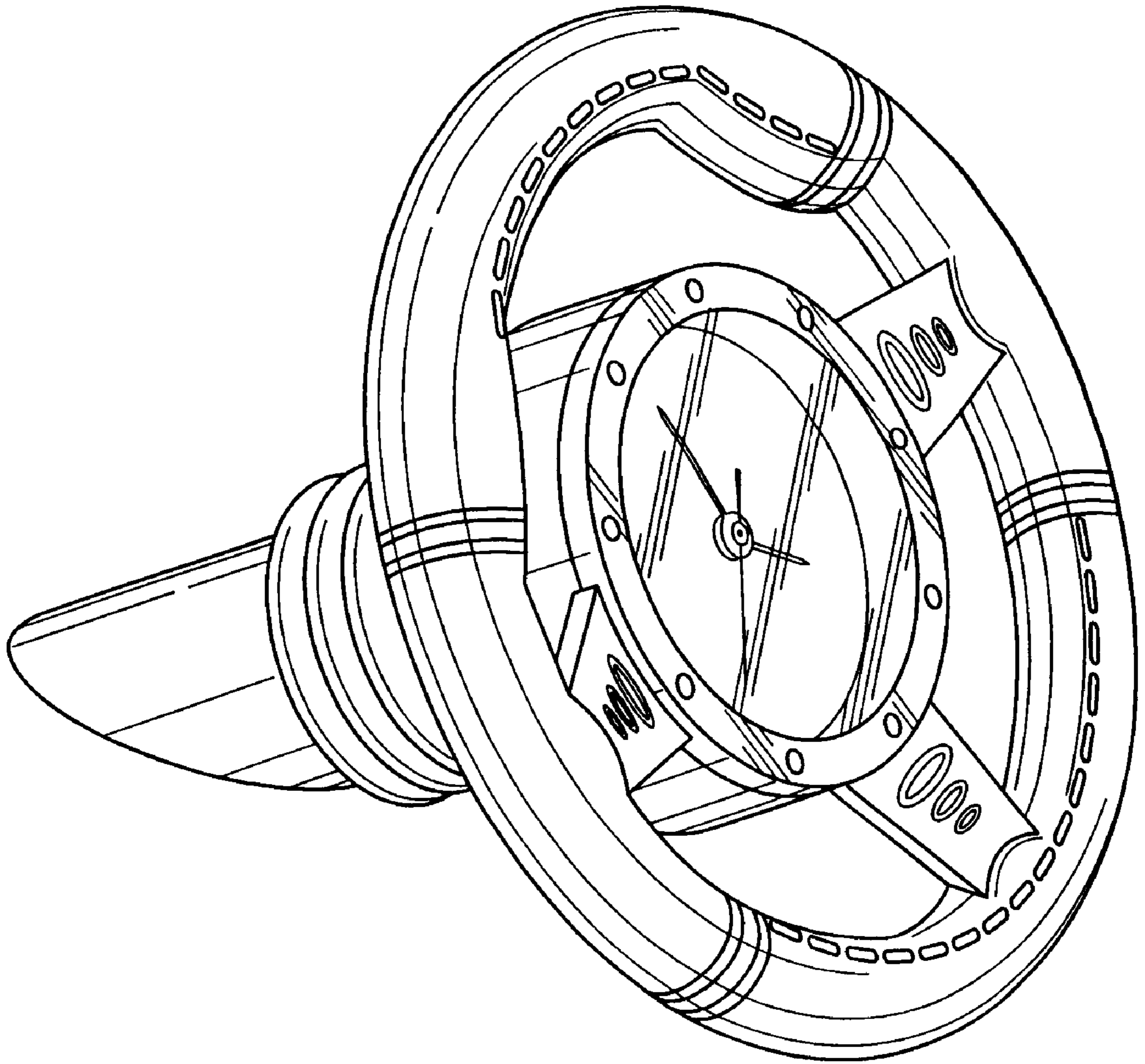


FIG. 1

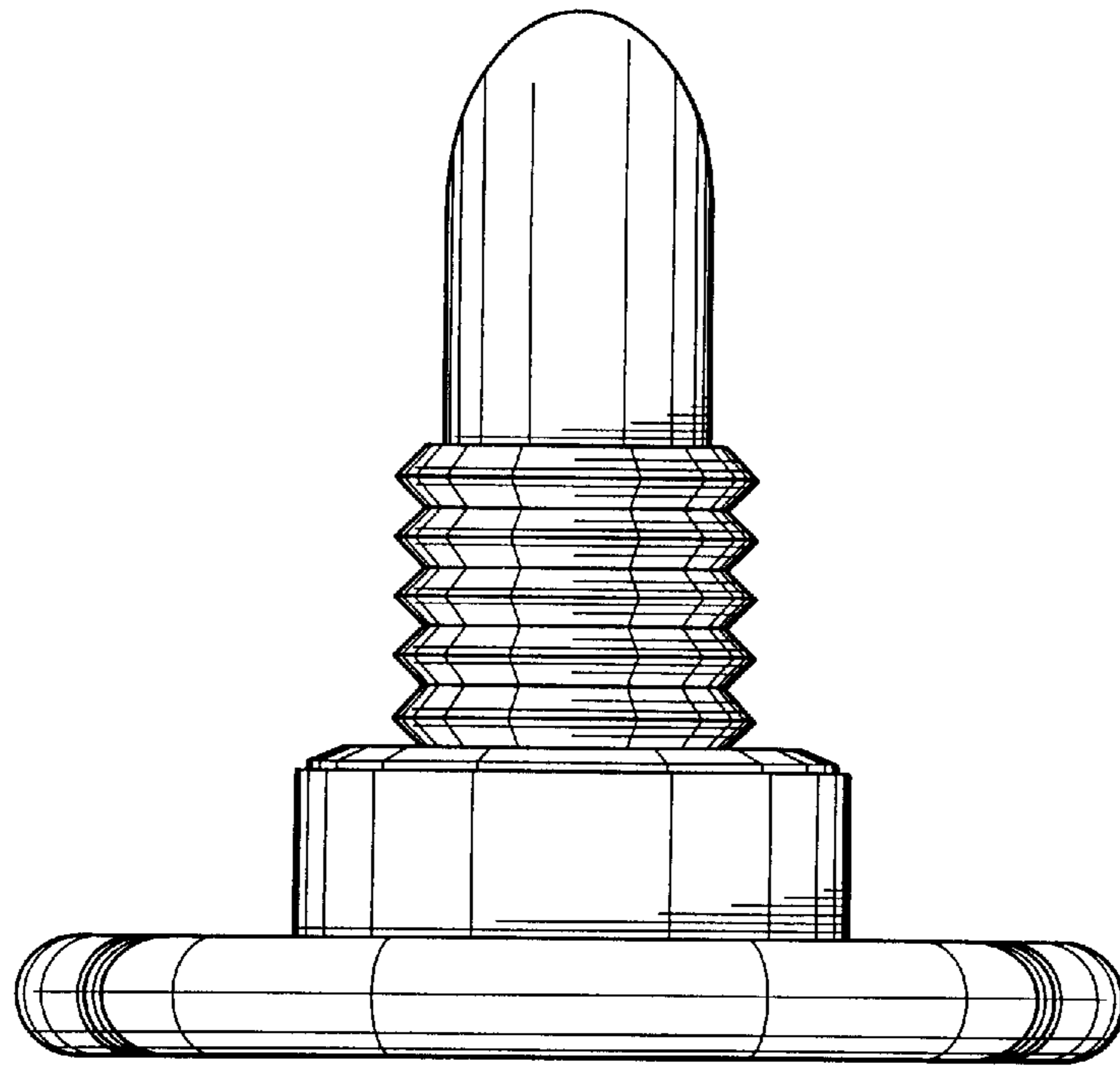


FIG. 3

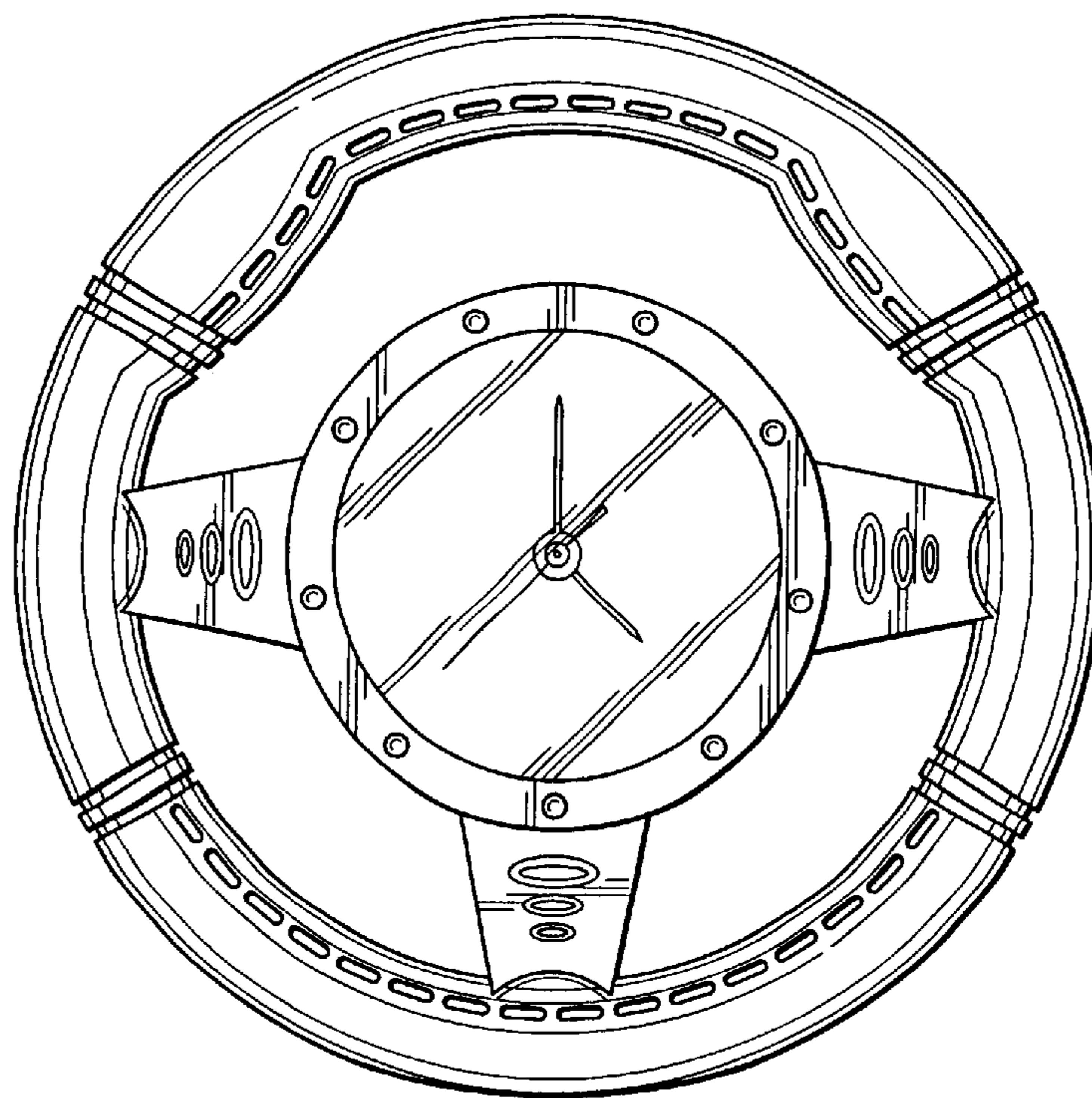


FIG. 2

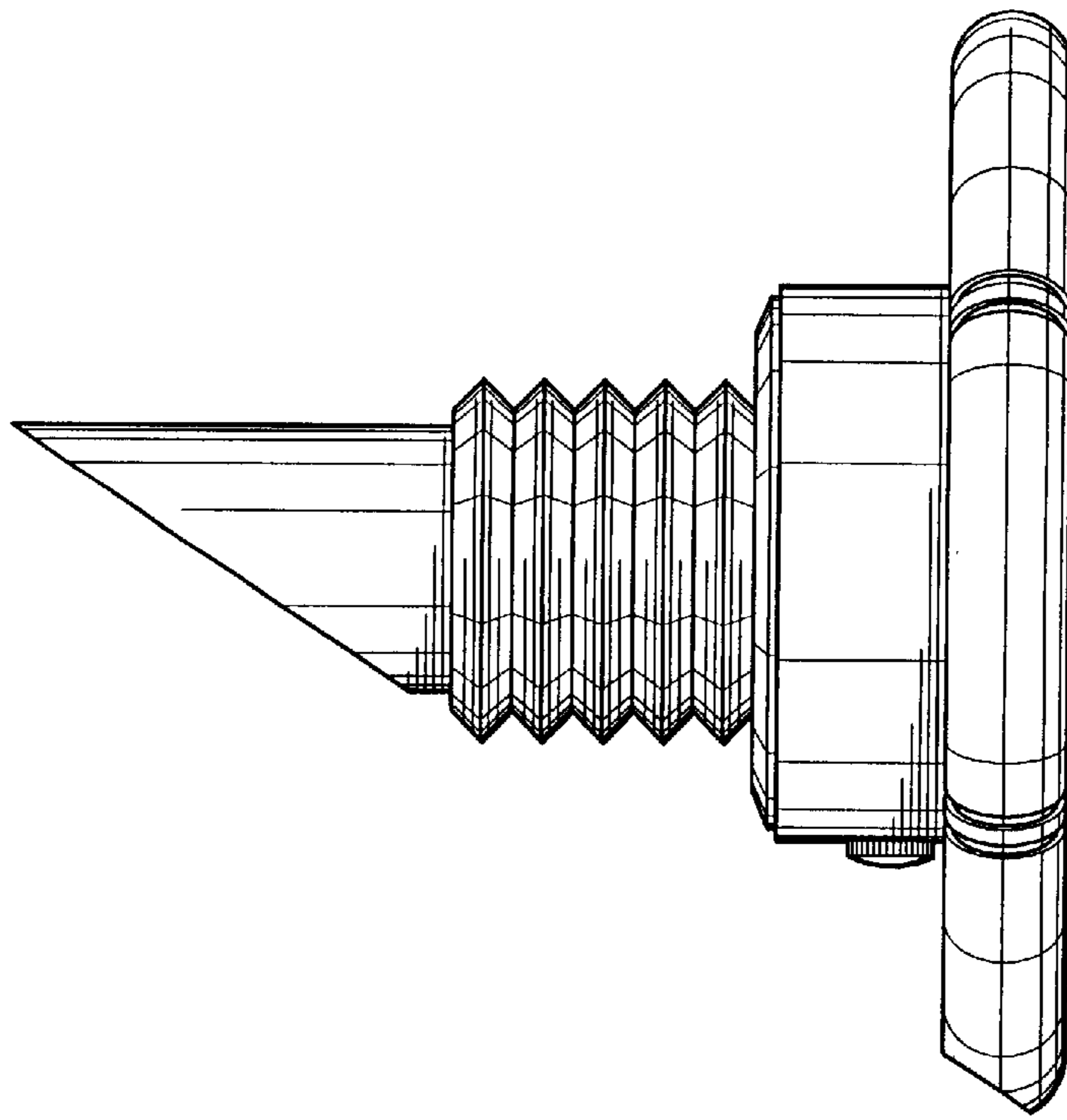


FIG. 4

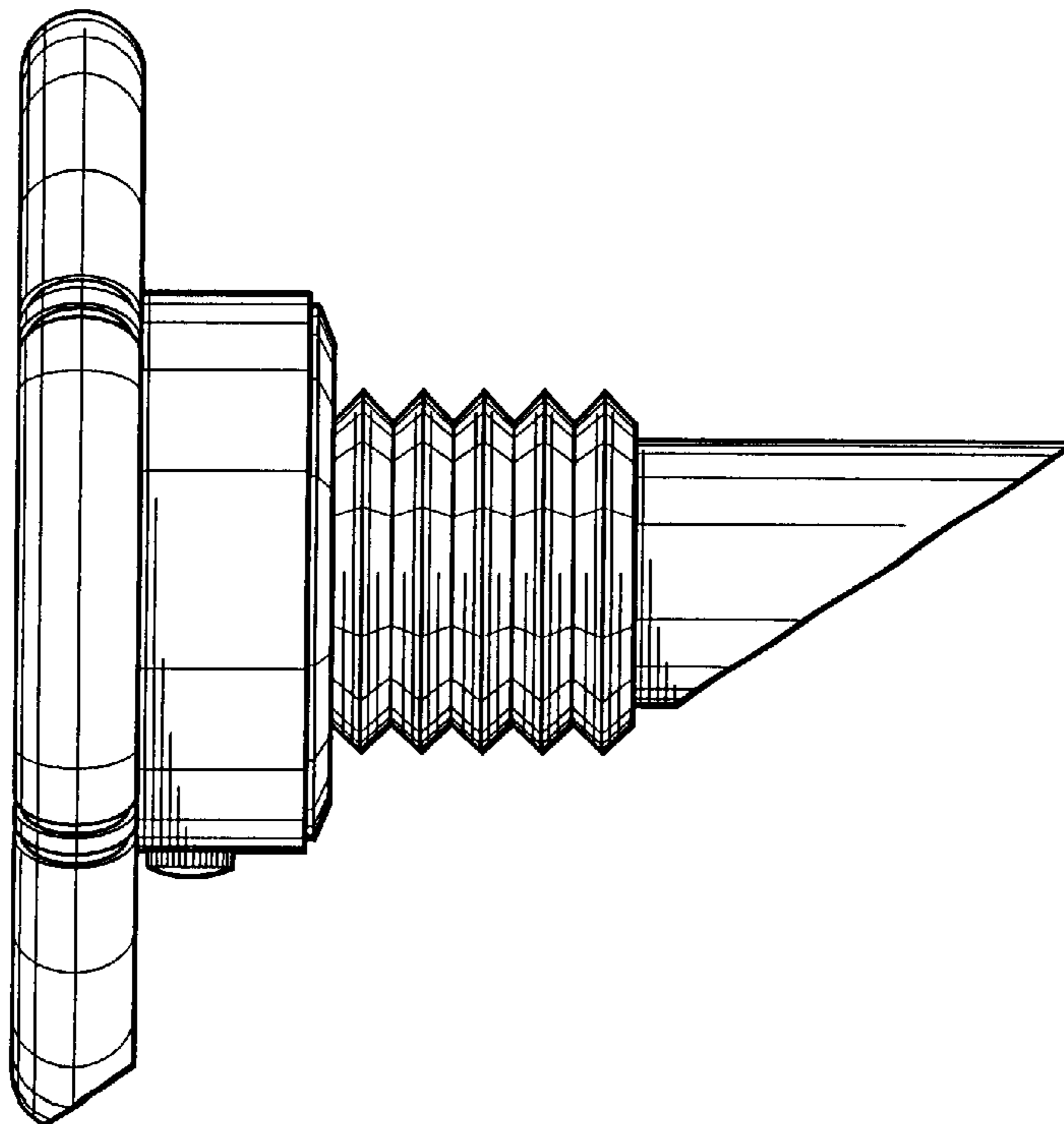


FIG. 5

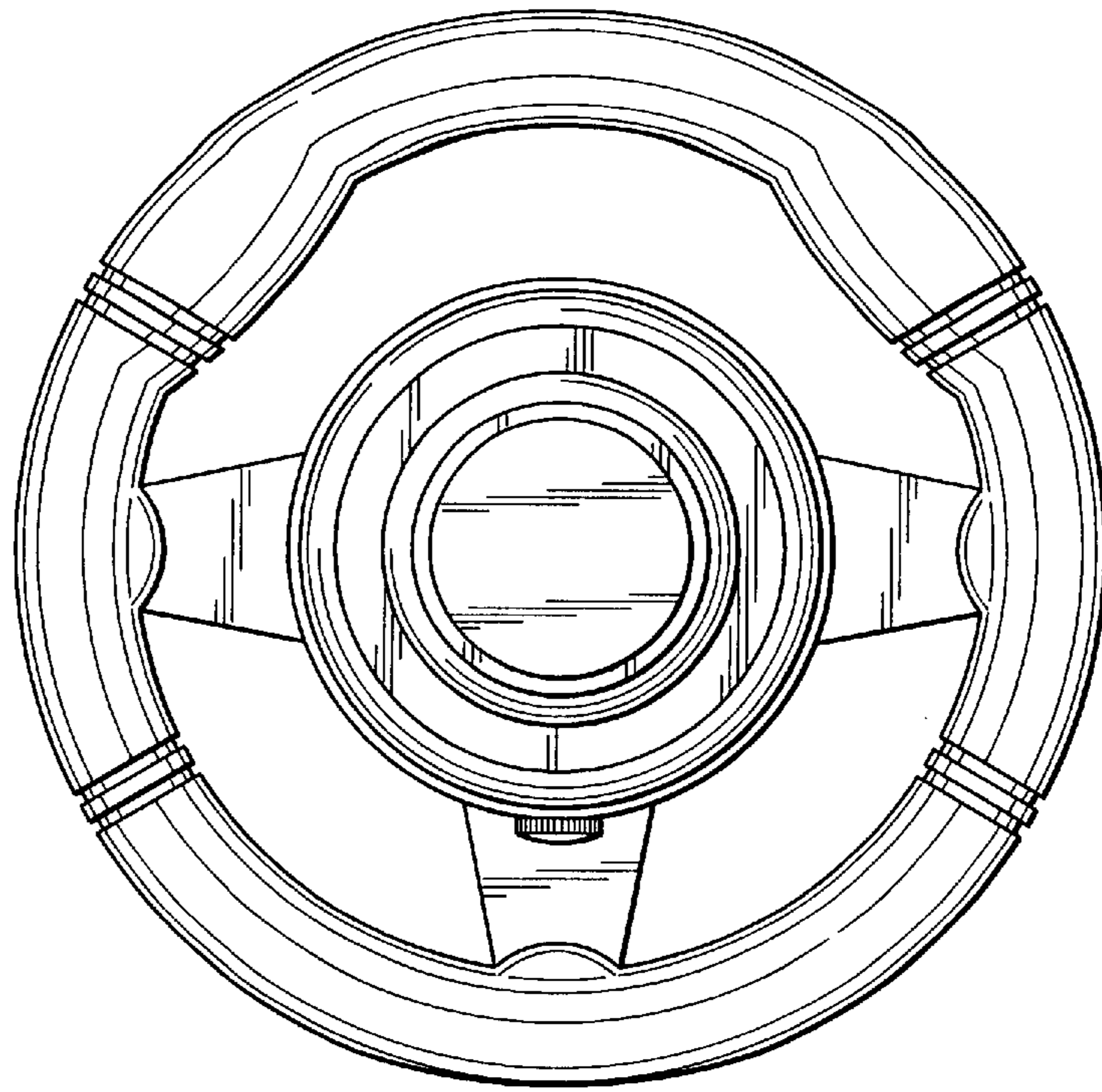


FIG. 6

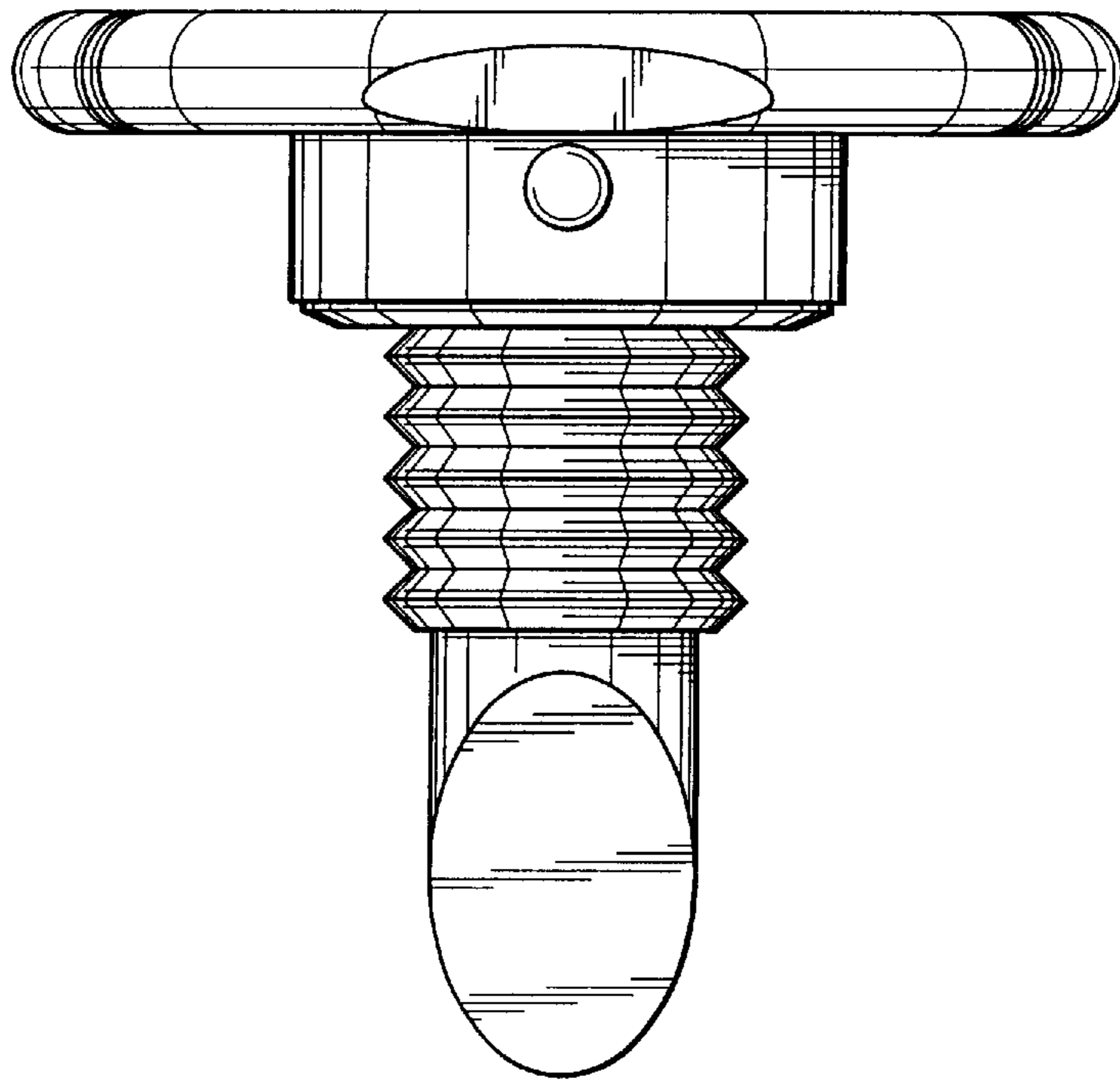


FIG. 7