



US00D454782S

(12) **United States Design Patent**
Kropf et al.

(10) **Patent No.:** **US D454,782 S**

(45) **Date of Patent:** **** Mar. 26, 2002**

(54) **CONTAINER PACKAGE FOR ELECTRONIC DEVICES**

(75) Inventors: **William C. Kropf**, Mountain View;
Samuel R. Szteinbaum, Los Altos;
Mark John Bony, Los Gatos, all of CA (US)

(73) Assignee: **Hewlett-Packard Company**, Palo Alto, CA (US)

(**) Term: **14 Years**

(21) Appl. No.: **29/126,099**

(22) Filed: **Jul. 11, 2000**

(51) **LOC (7) Cl.** **09-01**

(52) **U.S. Cl.** **D9/347**

(58) **Field of Search** D9/341, 347, 418,
D9/432; 206/320, 521, 523, 588, 589, 592;
229/125.38, 125.39

(56) **References Cited**

U.S. PATENT DOCUMENTS

1,993,516	A	*	3/1935	Kells	206/521
D97,186	S	*	10/1935	Goldberg	D9/347
2,783,930	A	*	3/1957	Riley	206/521
3,661,318	A	*	5/1972	Miller et al.	206/320
D303,217	S	*	9/1989	Maidon	D9/456
5,143,133	A	*	9/1992	Speckman	150/158
5,226,543	A	*	7/1993	Foos et al.	206/592
5,226,555	A	*	7/1993	Kovaleski	229/240
5,590,786	A	*	1/1997	Jaycox	206/587
5,706,951	A	*	1/1998	Oinuma et al.	206/710
5,833,057	A	*	11/1998	Char et al.	206/204
6,092,654	A	*	7/2000	Webb	206/320
6,105,765	A	*	8/2000	Chu	206/320

* cited by examiner

Primary Examiner—Ted Shooman
Assistant Examiner—Selina Sikder

(57) **CLAIM**

The ornamental design for a container package for electronic devices, as shown and described.

DESCRIPTION

FIG. 1 is an exploded perspective view of a container package for electronic devices showing my new design; FIG. 2 is an exploded perspective view thereof, with the securing strap and broken lines omitted for clarity of illustration;

FIG. 3 is a right side view of a top section of a container package for electronic devices, shown separately for clarity of illustration;

FIG. 4 is a front view of FIG. 3;

FIG. 5 is a top view of FIG. 3;

FIG. 6 is a bottom view of FIG. 3;

FIG. 7 is a top view of a top insert of a container package for electronic devices, shown separately for clarity of illustration;

FIG. 8 is a bottom view of the insert of FIG. 7;

FIG. 9 is a side view of the insert of FIG. 7;

FIG. 10 is a top view of a middle insert of a container package for electronic devices shown separately for clarity of illustration;

FIG. 11 is a side view of the middle insert of FIG. 10;

FIG. 12 is a bottom view of the middle insert of FIG. 10;

FIG. 13 is a top view of the bottom insert of a container package for electronic devices, shown separately for clarity of illustration;

FIG. 14 is a bottom view of the bottom insert of FIG. 13;

FIG. 15 is a side view of the bottom insert of FIG. 13;

FIG. 16 is a top and bottom view of a bottom section of a container package for electronic devices, shown separately for clarity of illustration; and,

FIG. 17 is a side view of FIG. 16.

The broken lines shown in FIG. 1 are for illustrative purposes only and form no part of the claimed design.

1 Claim, 4 Drawing Sheets

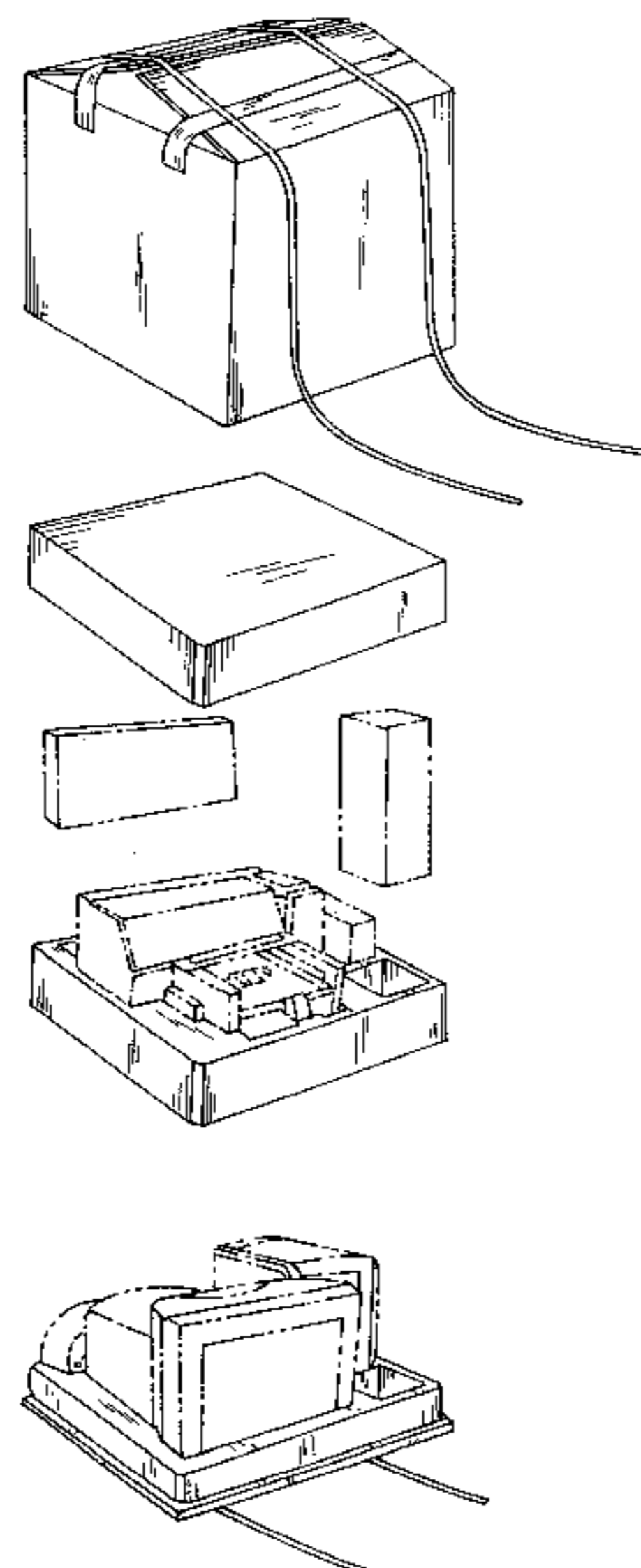


FIG. 1

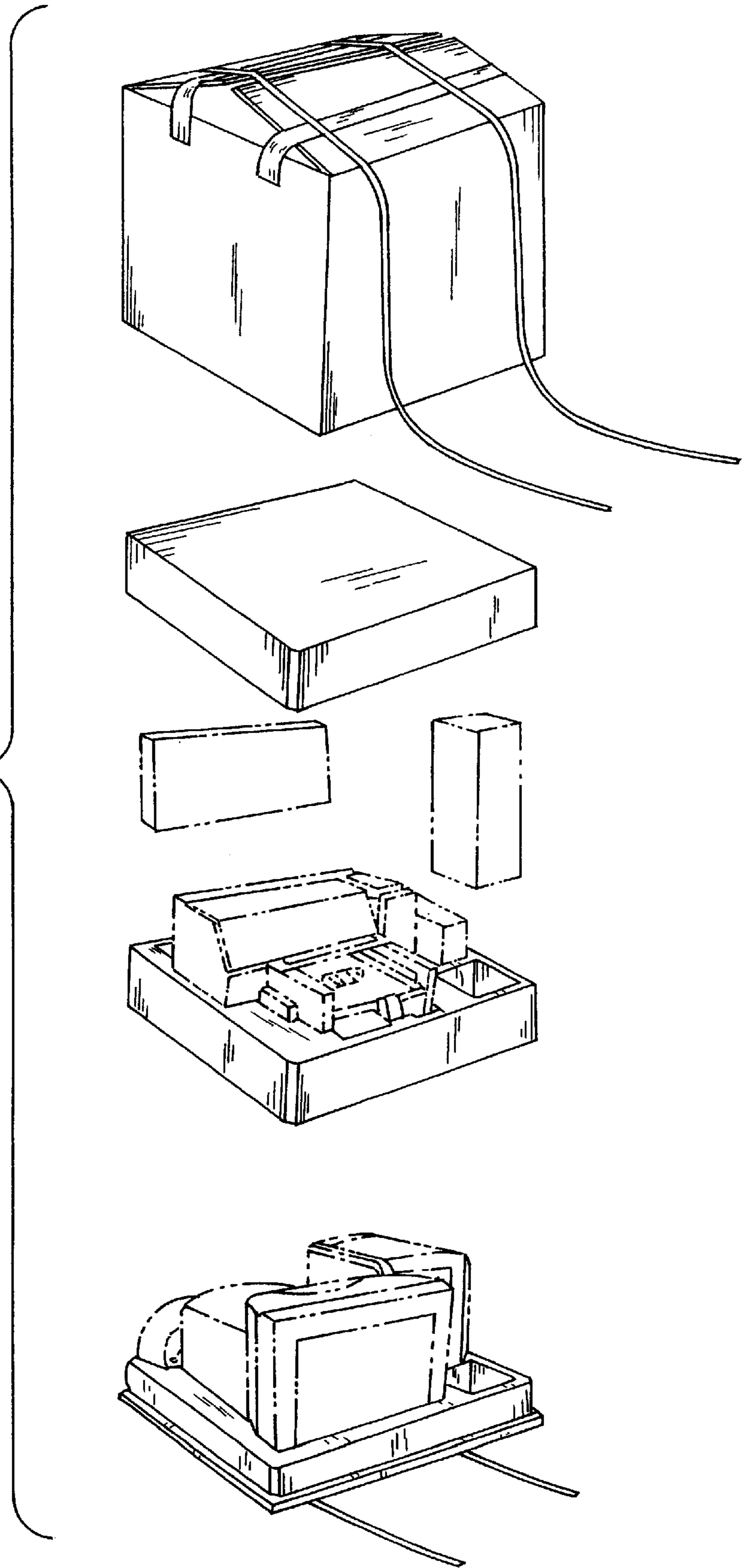
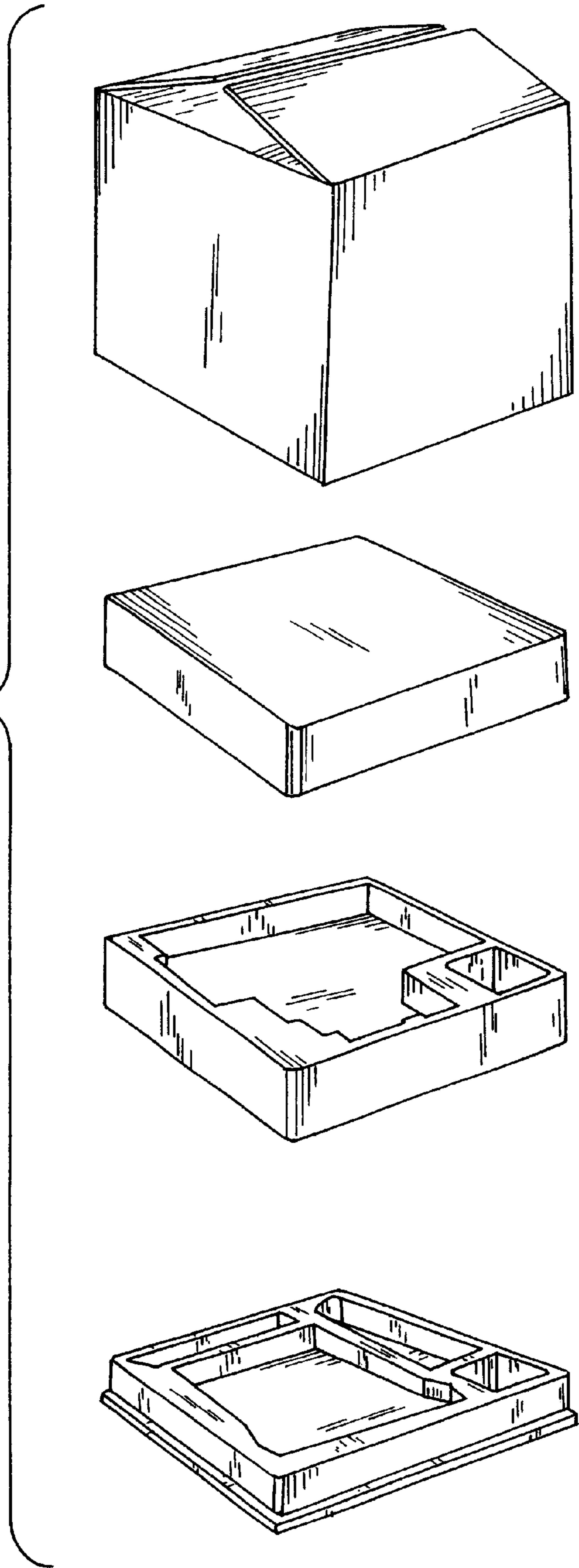


FIG. 2



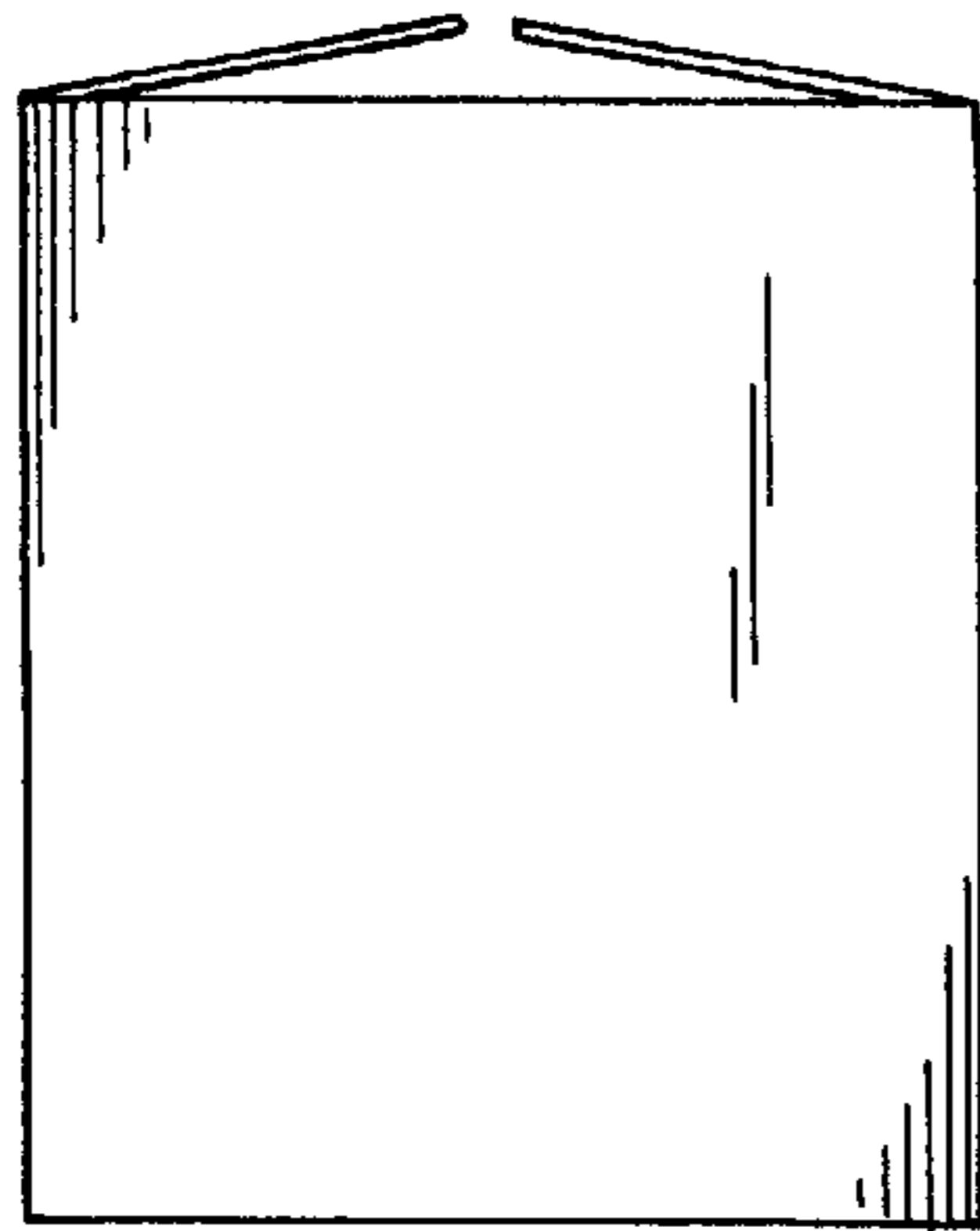


FIG. 3

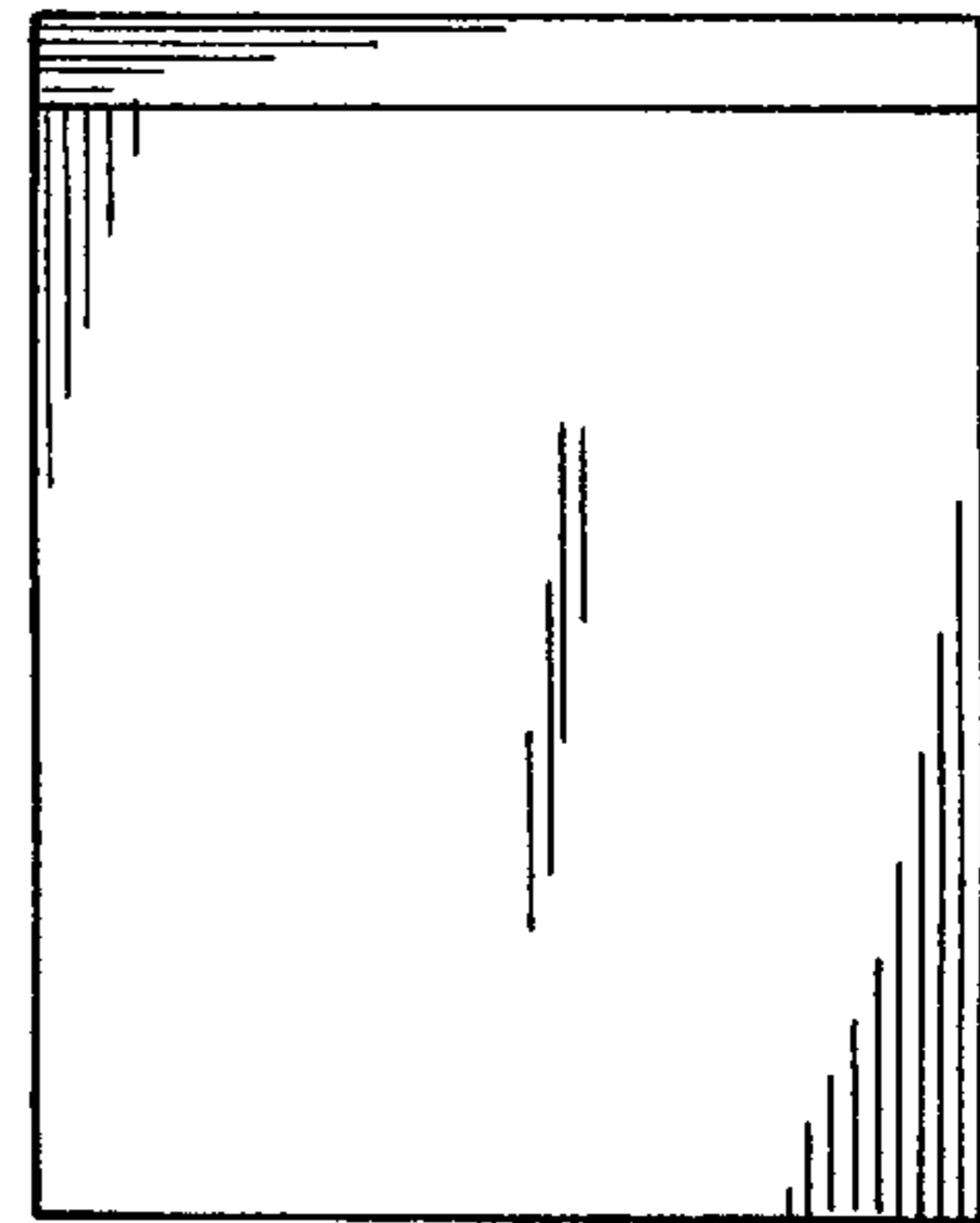


FIG. 4

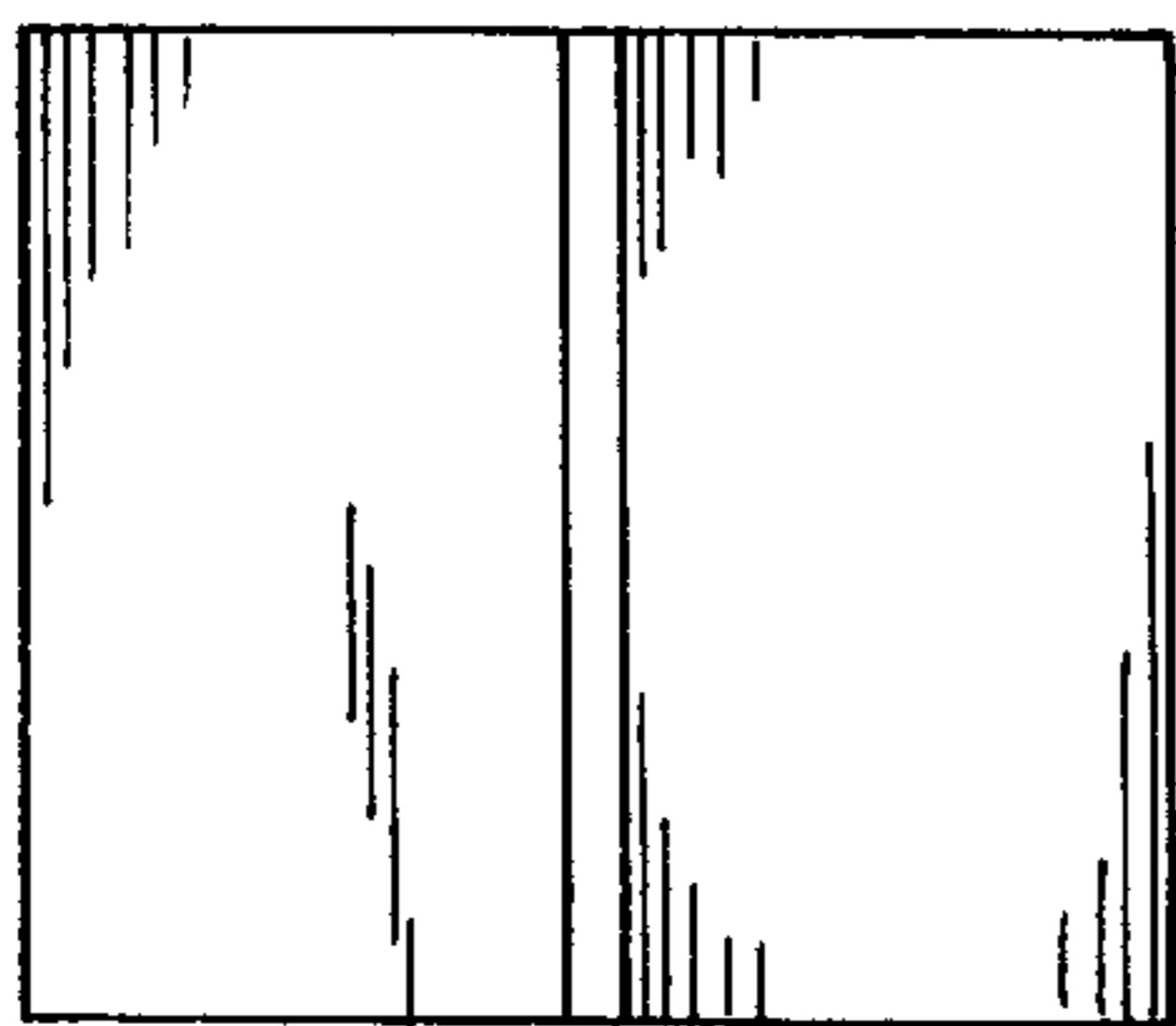


FIG. 5

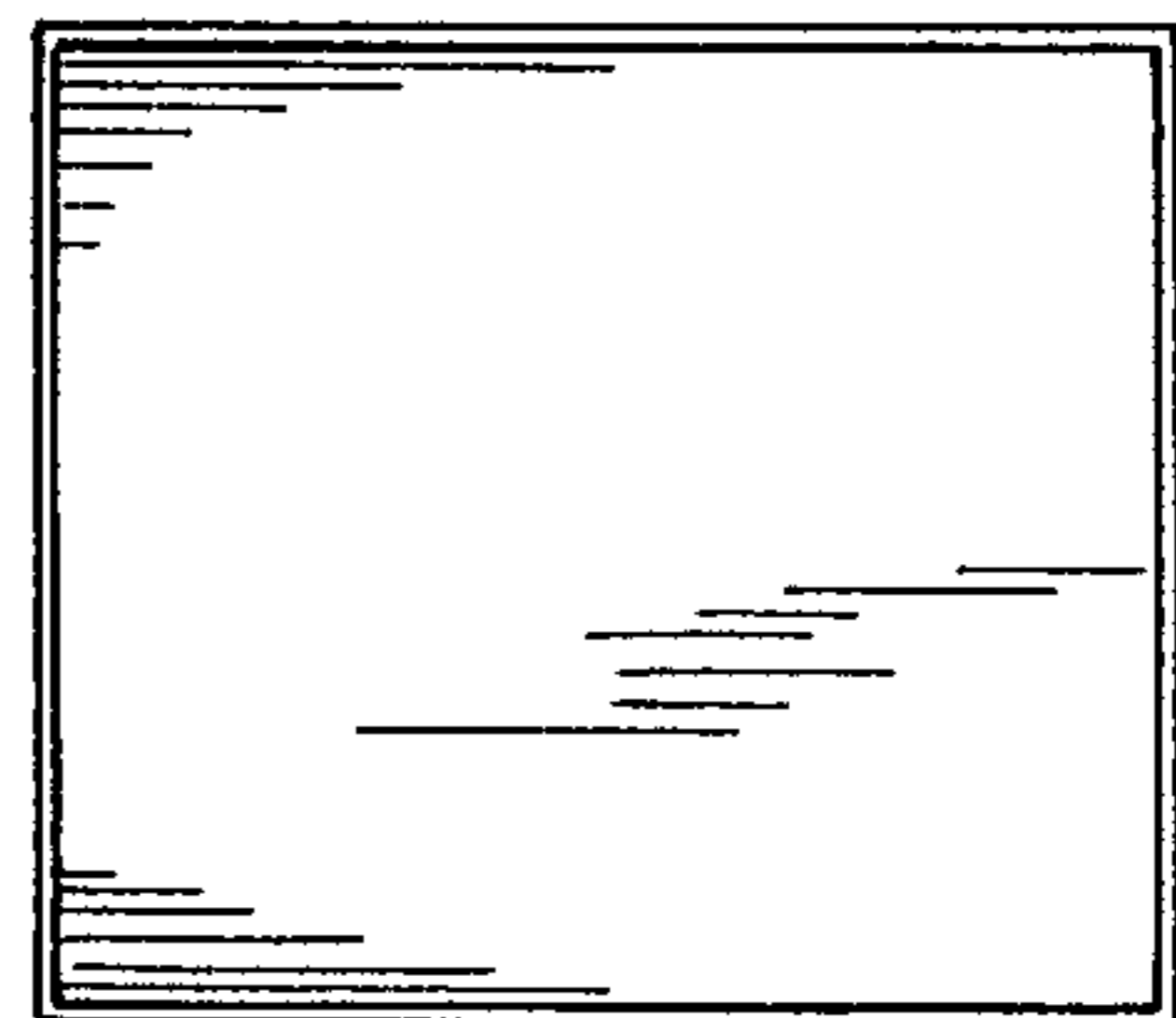


FIG. 6

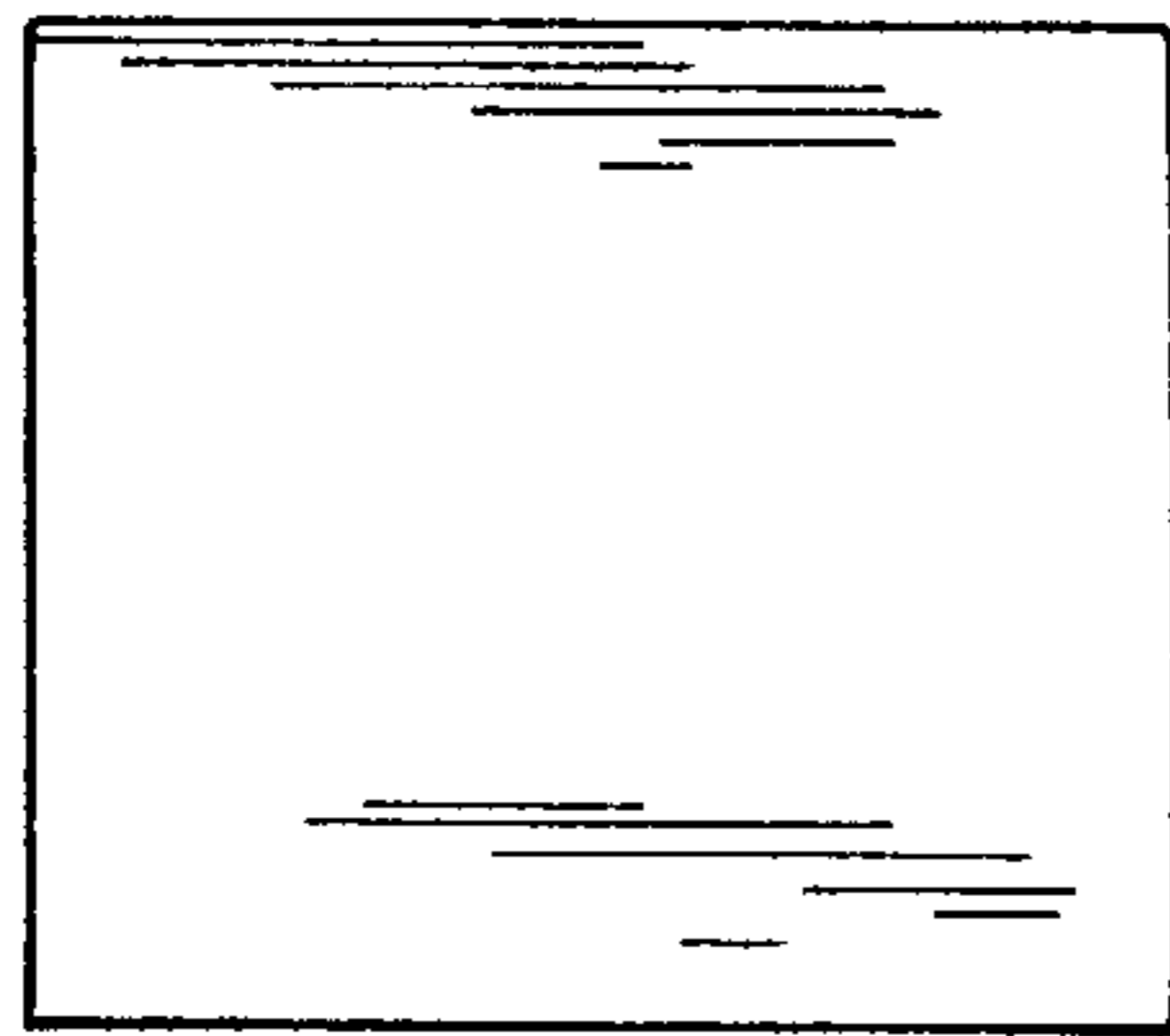


FIG. 7



FIG. 9

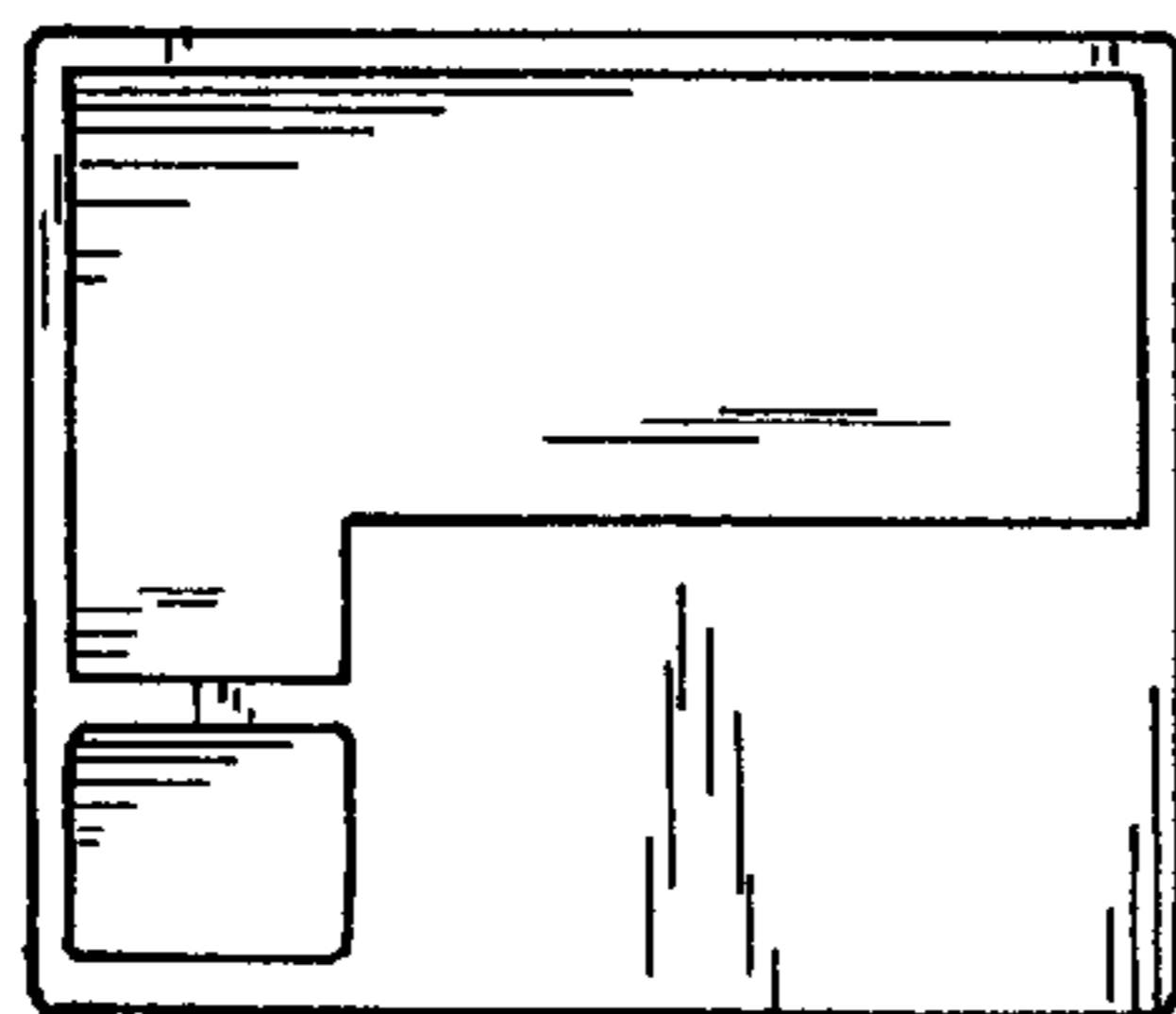


FIG. 8

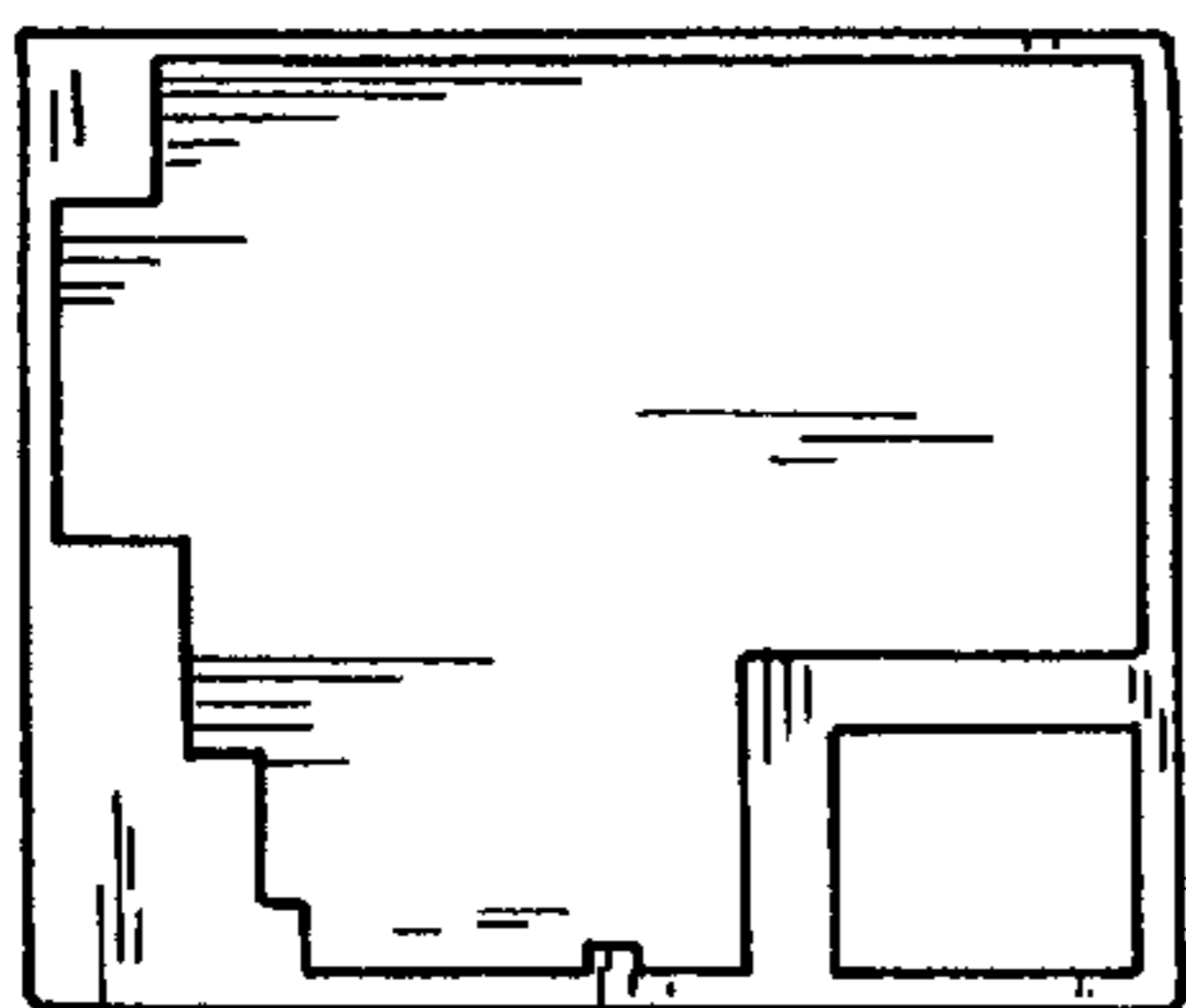


FIG. 10

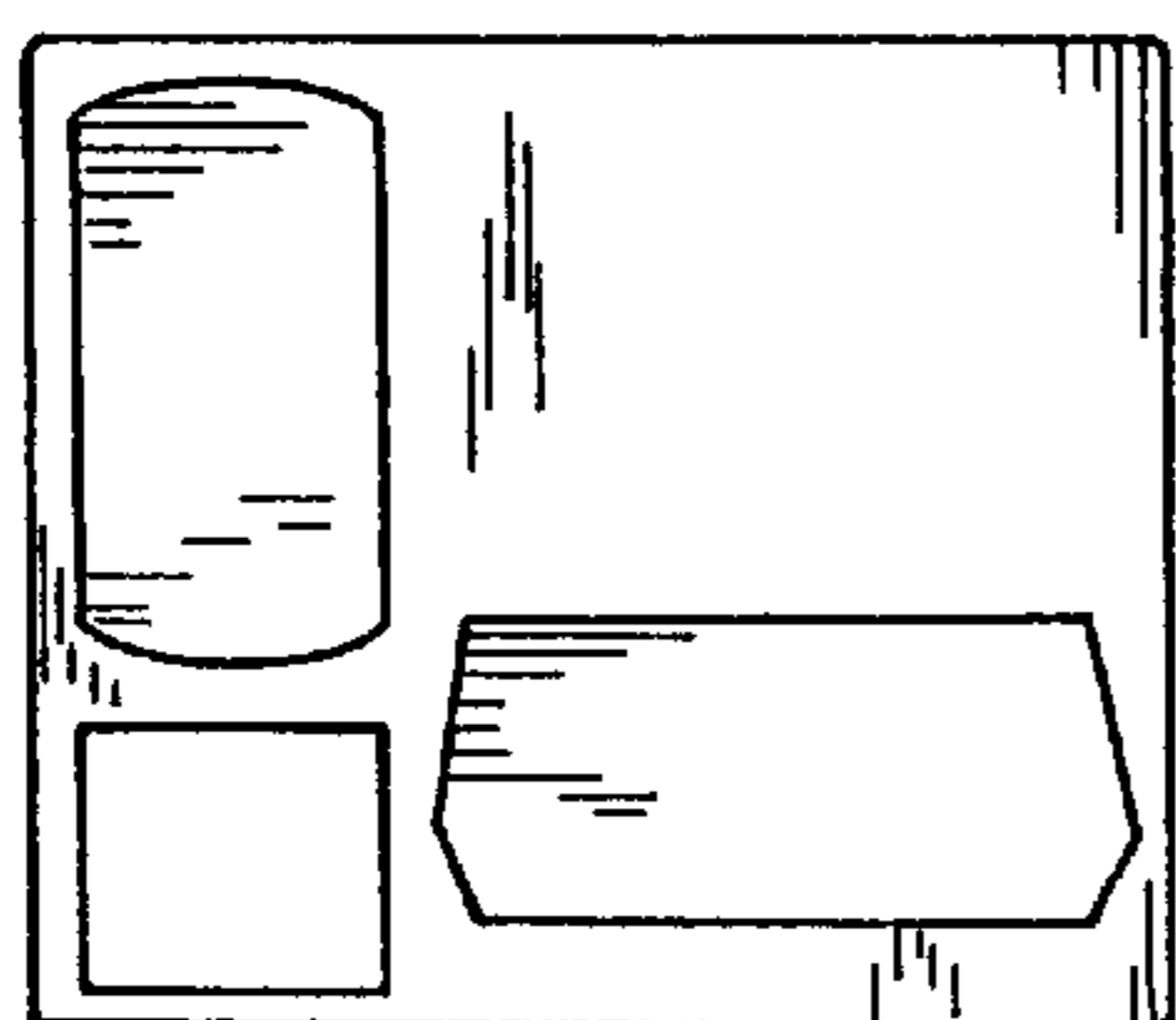


FIG. 12

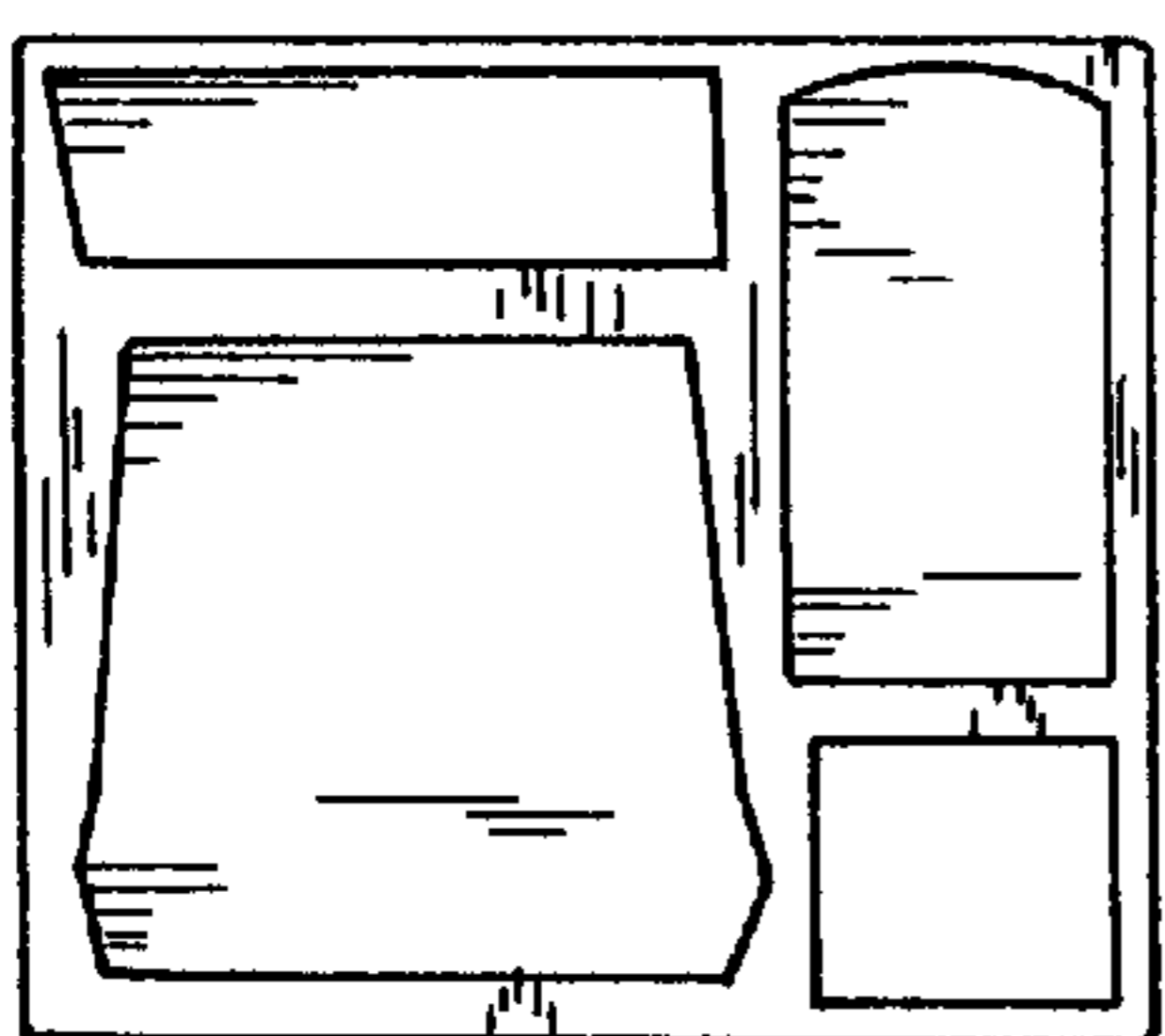


FIG. 13

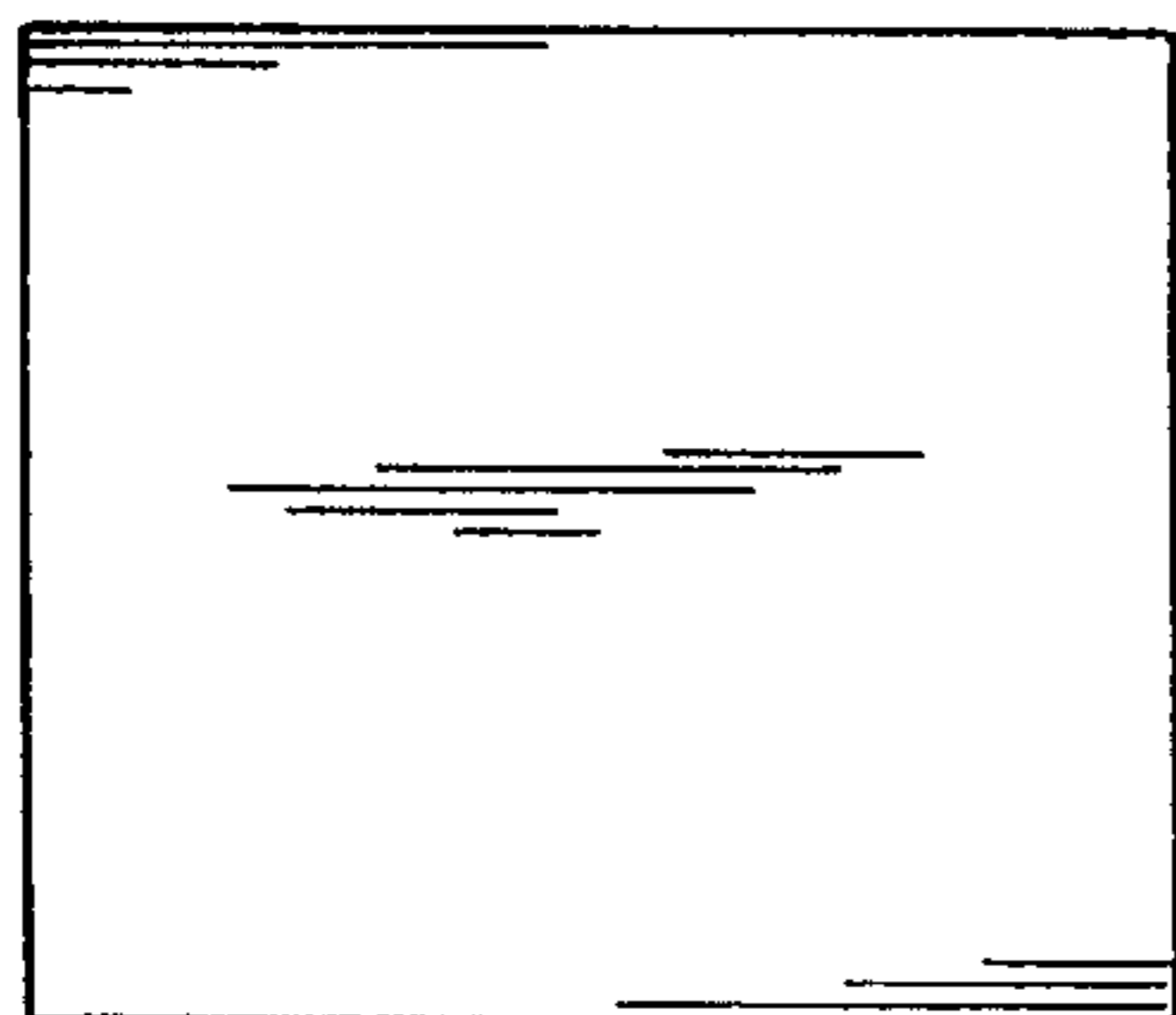


FIG. 16



FIG. 11

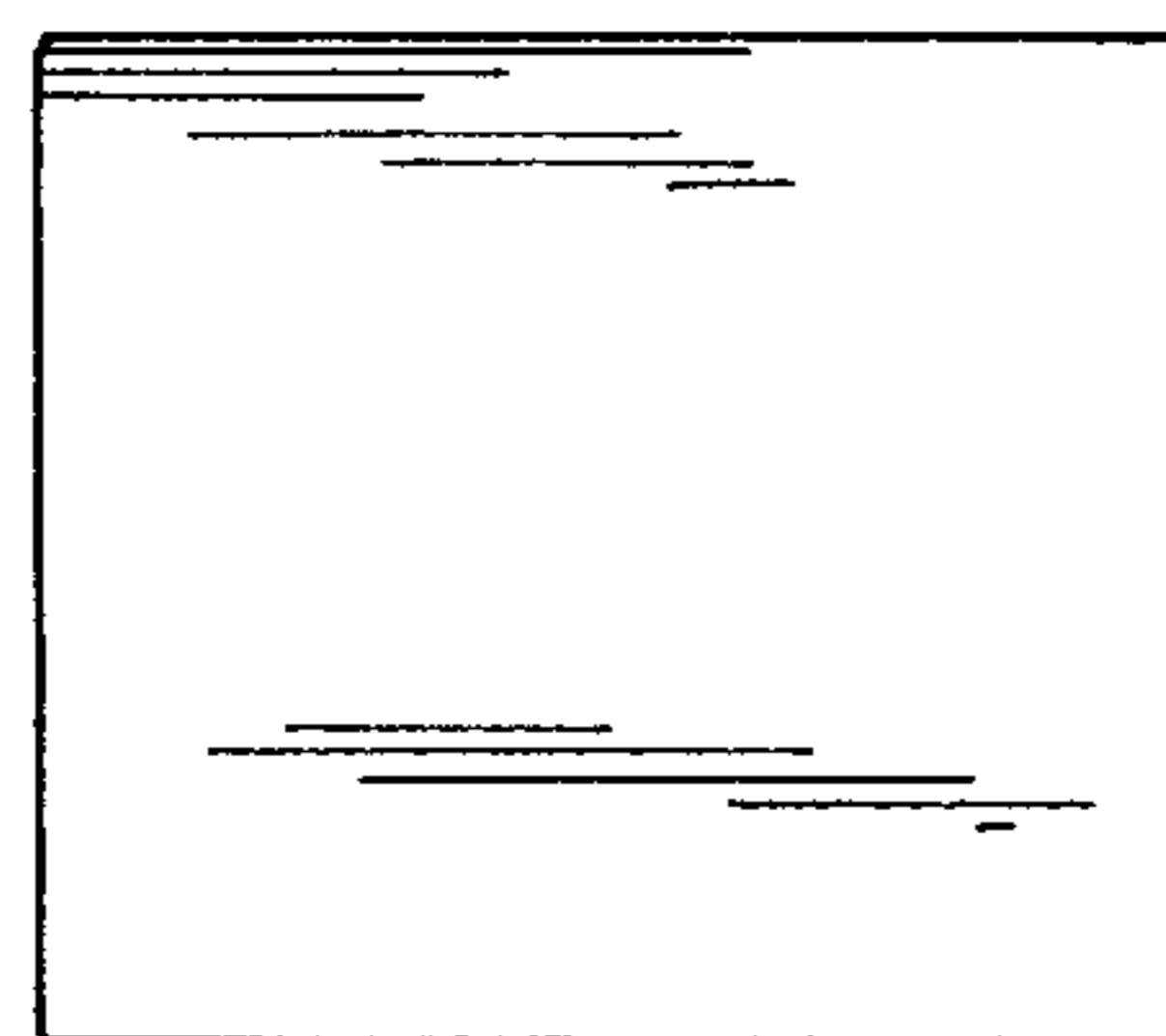


FIG. 14

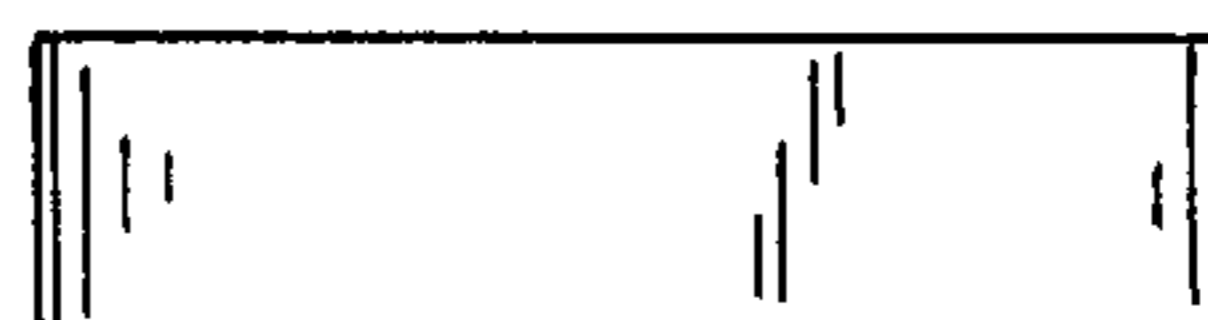


FIG. 15

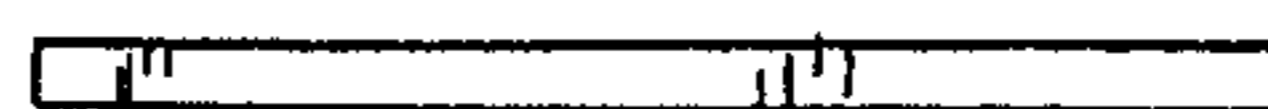


FIG. 17