



US00D454781S

(12) **United States Design Patent** (10) **Patent No.:** **US D454,781 S**  
**Assargren et al.** (45) **Date of Patent:** **\*\* Mar. 26, 2002**

(54) **BLISTER PACK**  
(75) Inventors: **Christian Assargren**, Bromma; **Claes Friberg**, Haninge, both of (SE)  
(73) Assignee: **AstraZeneca AB**, Sodertalje (SE)  
(\*\*) Term: **14 Years**  
(21) Appl. No.: **29/139,836**  
(22) Filed: **Apr. 6, 2001**

**Related U.S. Application Data**

(62) Division of application No. 29/064,406, filed on Dec. 31, 1996, now Pat. No. Des. 444,379.

**(30) Foreign Application Priority Data**

Jul. 1, 1996	(SE)	.....	96-1470
Jul. 1, 1996	(SE)	.....	96-1471
Jul. 1, 1996	(SE)	.....	96-1472
Jul. 1, 1996	(SE)	.....	96-1473
Jul. 1, 1996	(SE)	.....	96-1475
Jul. 1, 1996	(SE)	.....	96-1479
Jul. 1, 1996	(SE)	.....	96-1480

(51) **LOC (7) Cl.** ..... **09-03**  
(52) **U.S. Cl.** ..... **D9/345**  
(58) **Field of Search** ..... D9/339, 341, 345-348,  
D9/433; 206/469, 528-532, 538-539, 820,  
828

**(56) References Cited**

**U.S. PATENT DOCUMENTS**

3,033,355	A	5/1962	Sickle	.....	206/539
D207,676	S	5/1967	Walter	.....	D9/345
3,743,084	A	7/1973	Douglas	.....	206/532
4,340,141	A	7/1982	Fischer	.....	206/531
D320,930	S	10/1991	Richards	.....	D9/345
5,109,984	A	* 5/1992	Romick	.....	206/531
5,323,907	A	* 6/1994	Kalvelage	.....	206/531
5,346,069	A	* 9/1994	Intini	.....	206/531
D359,900	S	7/1995	Hawthorne	.....	D9/346
D387,977	S	12/1997	Kallgren	.....	D9/348
D414,106	S	9/1999	Anderson	.....	D9/341

\* cited by examiner

*Primary Examiner*—Nanda Bondade  
(74) *Attorney, Agent, or Firm*—White & Case LLP

**(57) CLAIM**

The ornamental design for a blister pack, as shown.

**DESCRIPTION**

FIG. 1 is a top plan view of a blister back in folded condition showing our new design;  
FIG. 2 is a right side elevational view thereof;  
FIG. 3 is a left side elevational view thereof;  
FIG. 4 is a front elevational view thereof;  
FIG. 5 is a rear elevational view thereof;  
FIG. 6 is a bottom plan view thereof;  
FIG. 7 is a top perspective view thereof, with the blister pack in unfolded condition;  
FIG. 8 is a bottom perspective view thereof;  
FIG. 9 is a top perspective view of FIG. 1;  
FIG. 10 is a top plan view of a second embodiment of FIG. 1;  
FIG. 11 is a right side elevational view of FIG. 10;  
FIG. 12 is a left side elevational view of FIG. 10;  
FIG. 13 is a front elevational view of FIG. 10;  
FIG. 14 is a rear elevational view of FIG. 10;  
FIG. 15 is a bottom plan view of FIG. 10;  
FIG. 16 is a top perspective view of FIG. 10, with the blister pack in unfolded condition;  
FIG. 17 is a bottom perspective view of FIG. 16;  
FIG. 18 is a top perspective view of FIG. 10;  
FIG. 19 is a top plan view of a third embodiment of FIG. 1;  
FIG. 20 is a right side elevational view of FIG. 19;  
FIG. 21 is a left side elevational view of FIG. 19;  
FIG. 22 is a front elevational view of FIG. 19;  
FIG. 23 is a rear elevational view of FIG. 19;  
FIG. 24 is a bottom plan view of FIG. 19;  
FIG. 25 is a top perspective view of FIG. 19, with the blister pack in unfolded condition;  
FIG. 26 is a bottom perspective view of FIG. 25;  
FIG. 27 is a top perspective view of FIG. 19;  
FIG. 28 is a top plan view of a fourth embodiment of FIG. 1;  
FIG. 29 is a right side elevational view of FIG. 28;

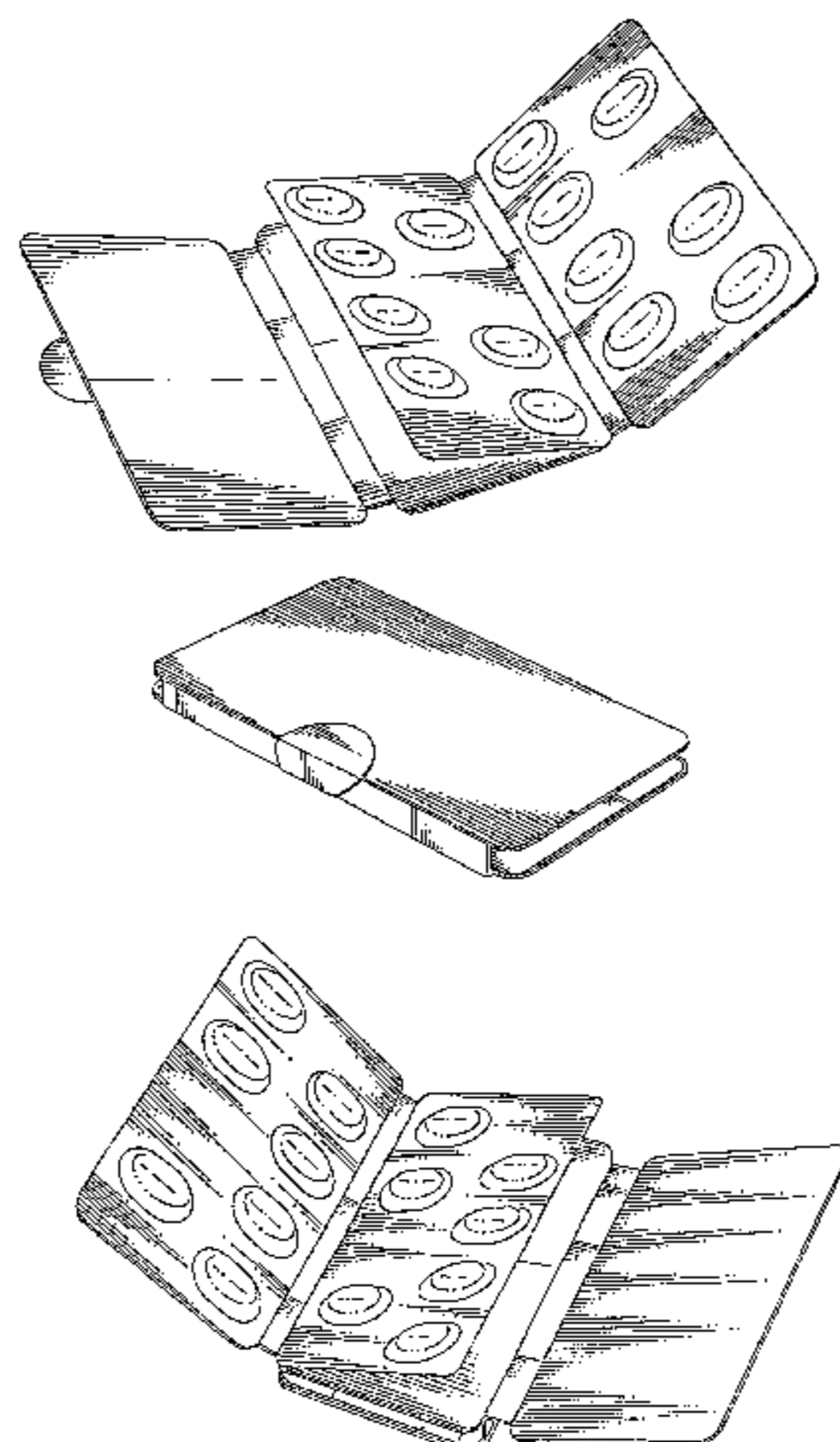


FIG. 30 is a left side elevational view of FIG. 28;  
FIG. 31 is a front elevational view of FIG. 28;  
FIG. 32 is a rear elevational view of FIG. 28;  
FIG. 33 is a bottom plan view of FIG. 28;  
FIG. 34 is a top perspective view of FIG. 28, with the blister pack in unfolded condition;  
FIG. 35 is a bottom perspective view of FIG. 34;  
FIG. 36 is a top perspective view of FIG. 28;  
FIG. 37 is a top perspective view of FIG. 28, with the blister pack in a second unfolded condition;  
FIG. 38 is a bottom perspective view of FIG. 37;  
FIG. 39 is a bottom perspective view of FIG. 28;  
FIG. 40 is a top plan view of a fifth embodiment of FIG. 1;  
FIG. 41 is a right side elevational view of FIG. 40;

FIG. 42 is a left side elevational view of FIG. 40;  
FIG. 43 is a front elevational view of FIG. 40;  
FIG. 44 is a rear elevational view of FIG. 40;  
FIG. 45 is a bottom plan view of FIG. 40;  
FIG. 46 is a top perspective view of FIG. 40, with the blister pack in unfolded condition;  
FIG. 47 is a bottom perspective view of FIG. 46;  
FIG. 48 is a top perspective view of FIG. 40;  
FIG. 49 is a top perspective view of FIG. 40, with the blister pack in a second unfolded condition;  
FIG. 50 is a bottom perspective view of FIG. 49; and,  
FIG. 51 is a bottom perspective view of FIG. 40.

**1 Claim, 12 Drawing Sheets**

FIG. 6

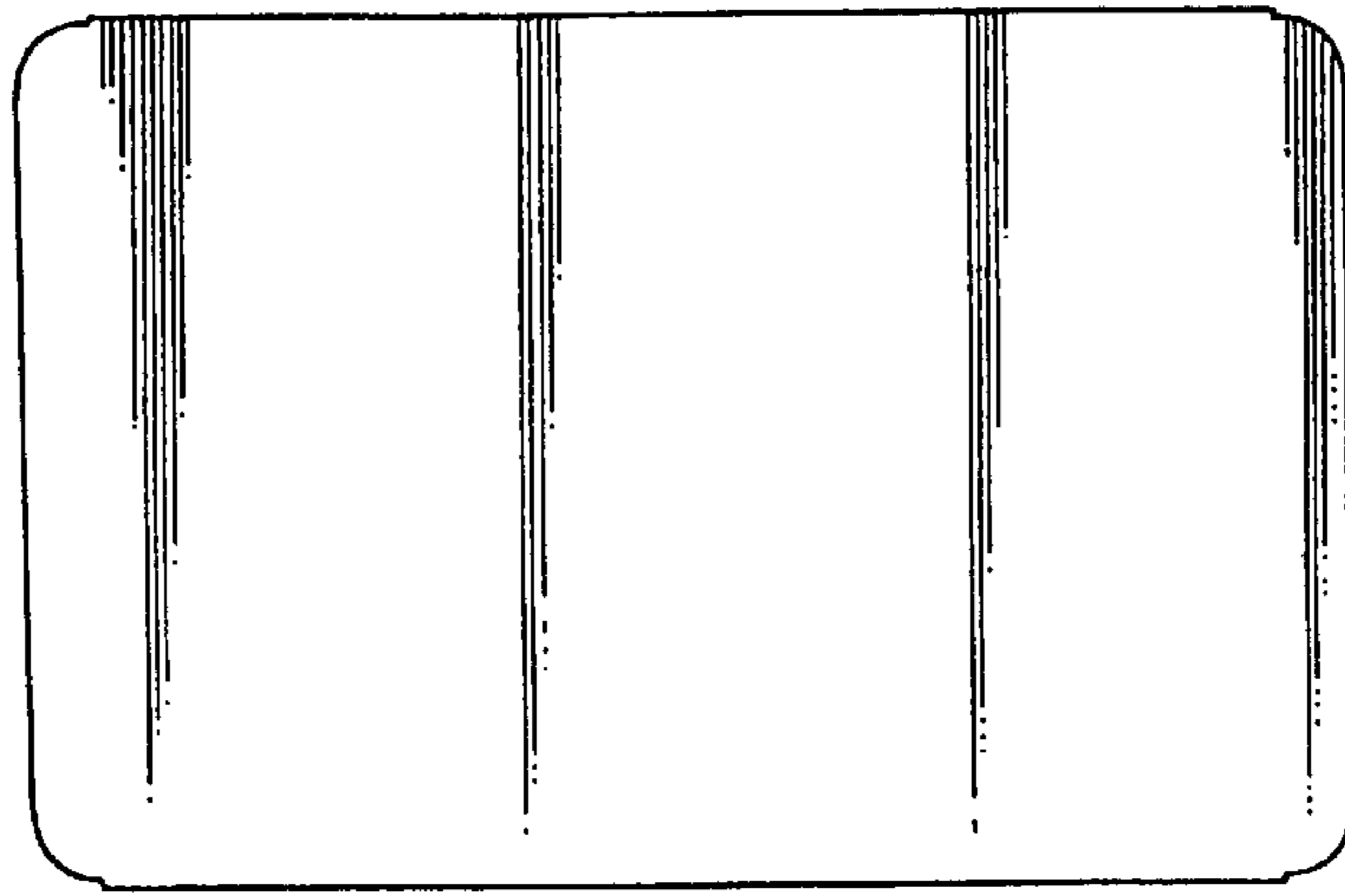


FIG. 5



FIG. 2

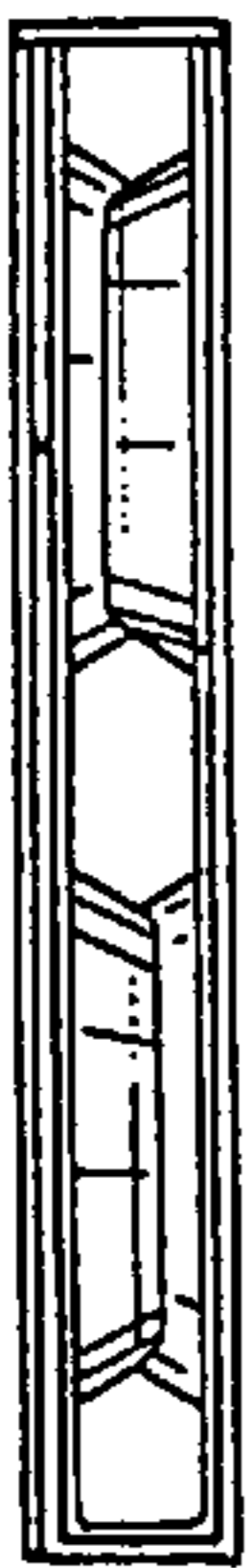


FIG. 1

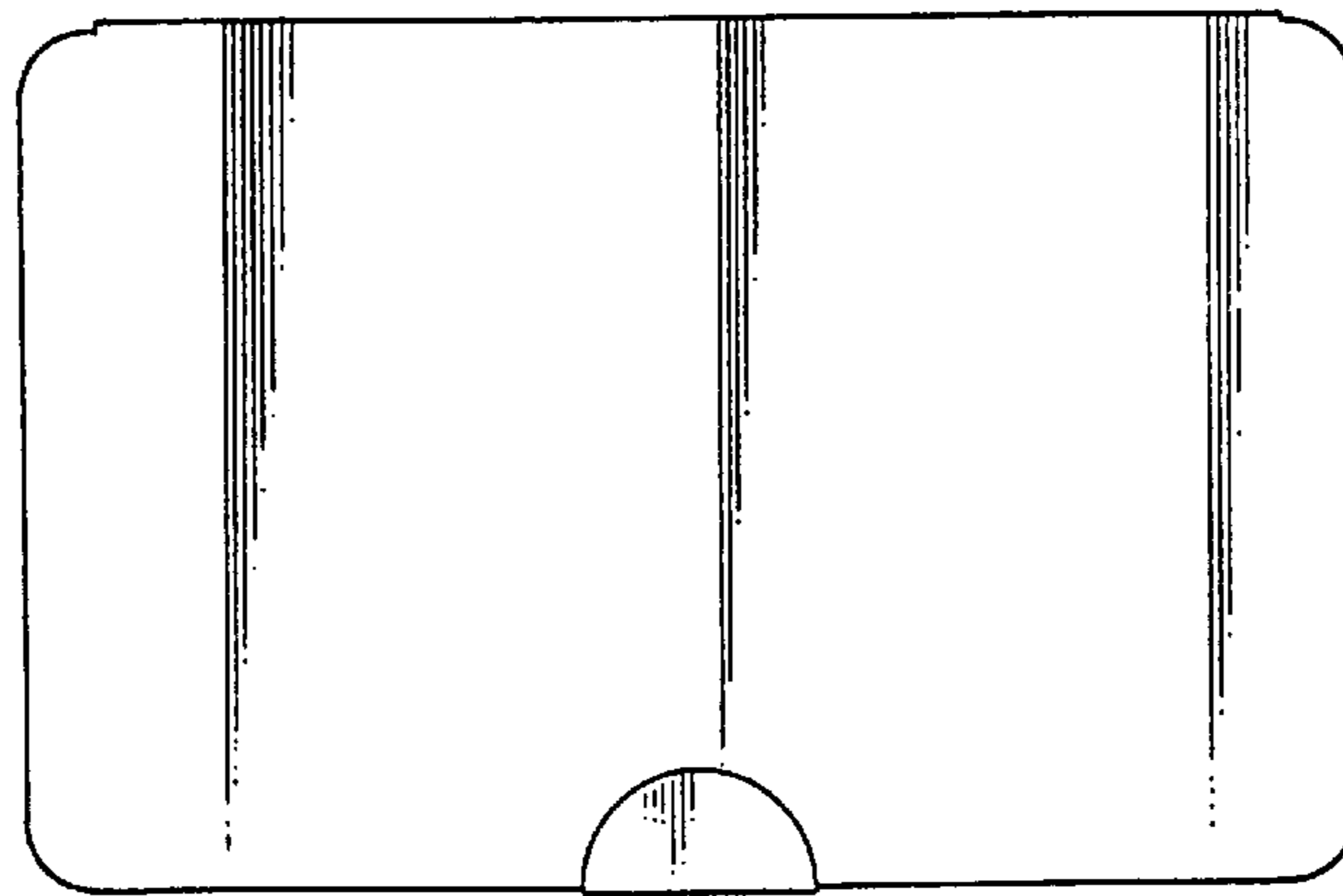


FIG. 3

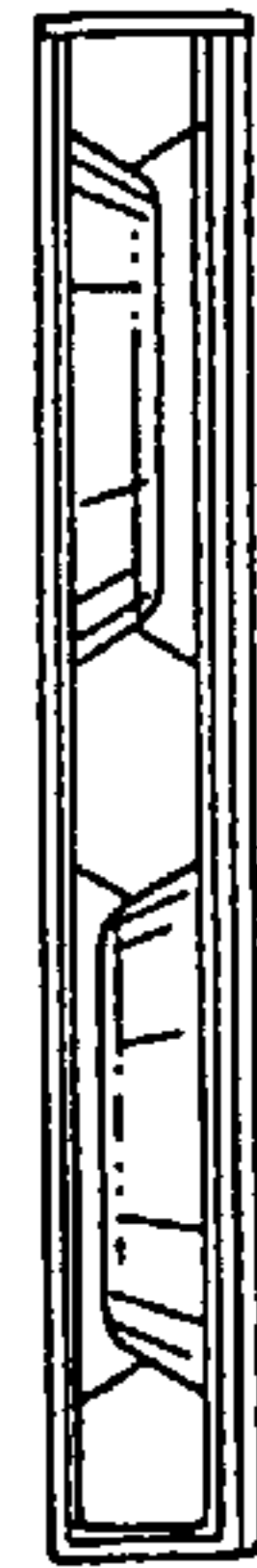


FIG. 4



FIG. 7

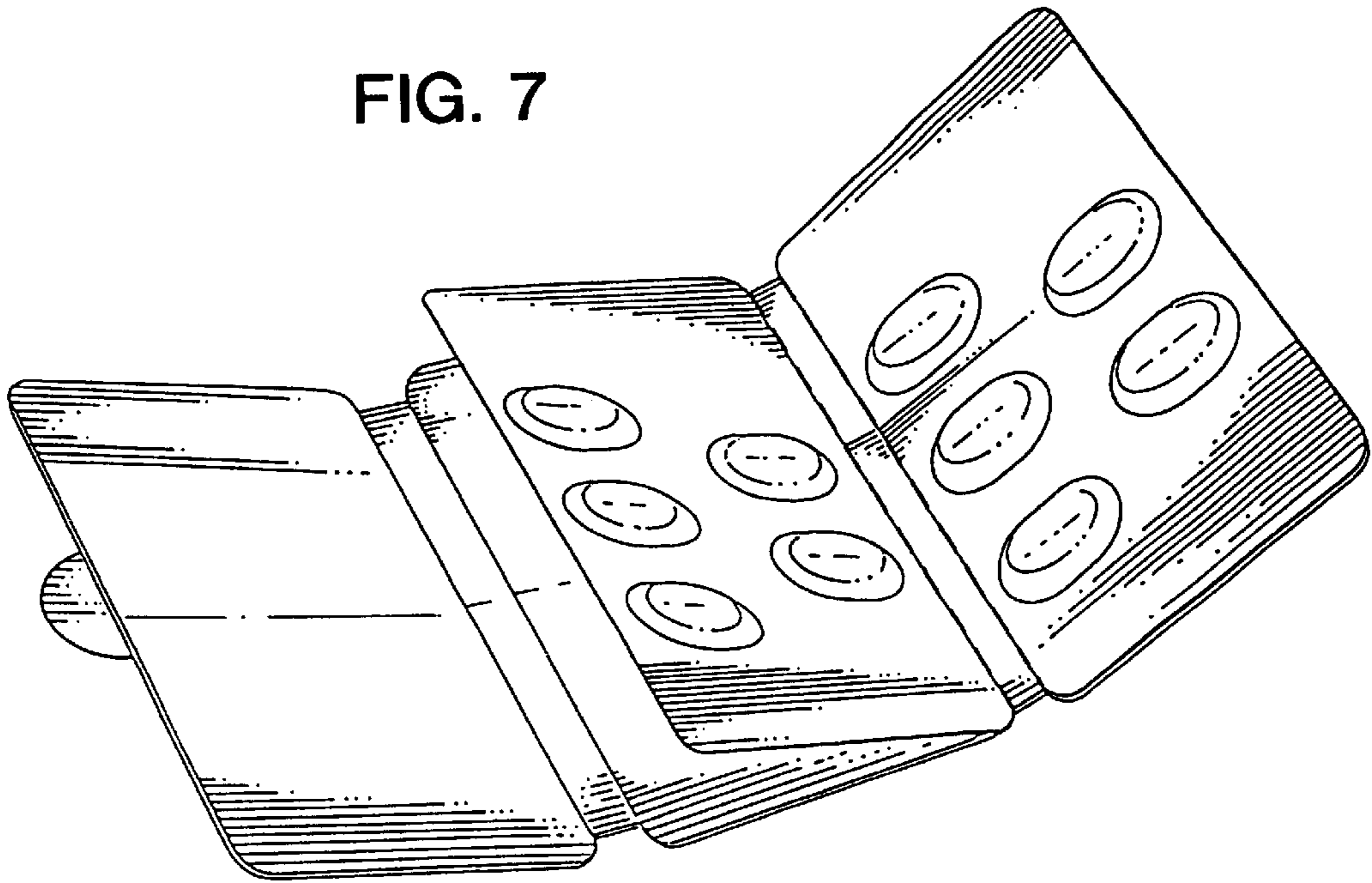


FIG. 8

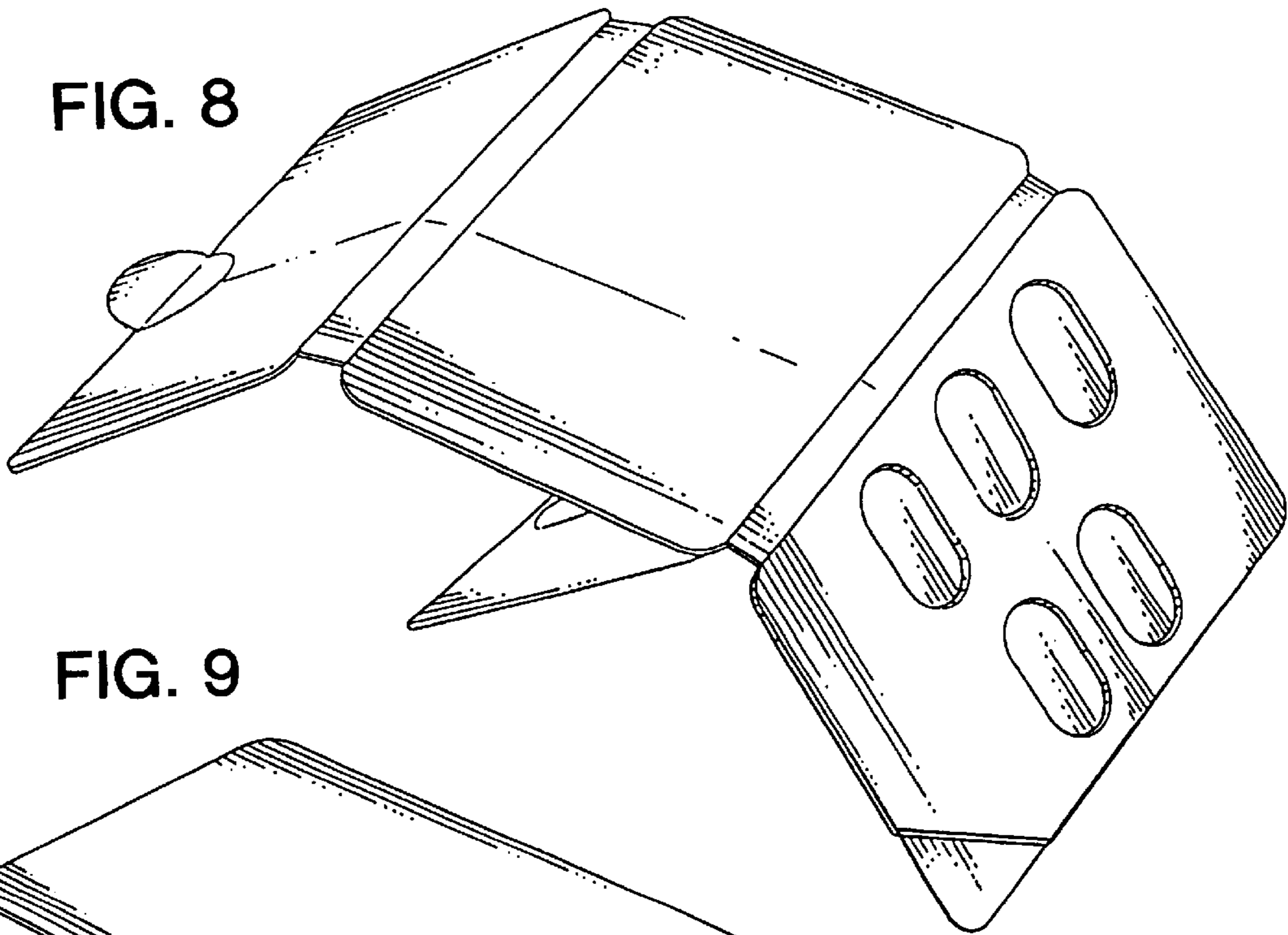


FIG. 9

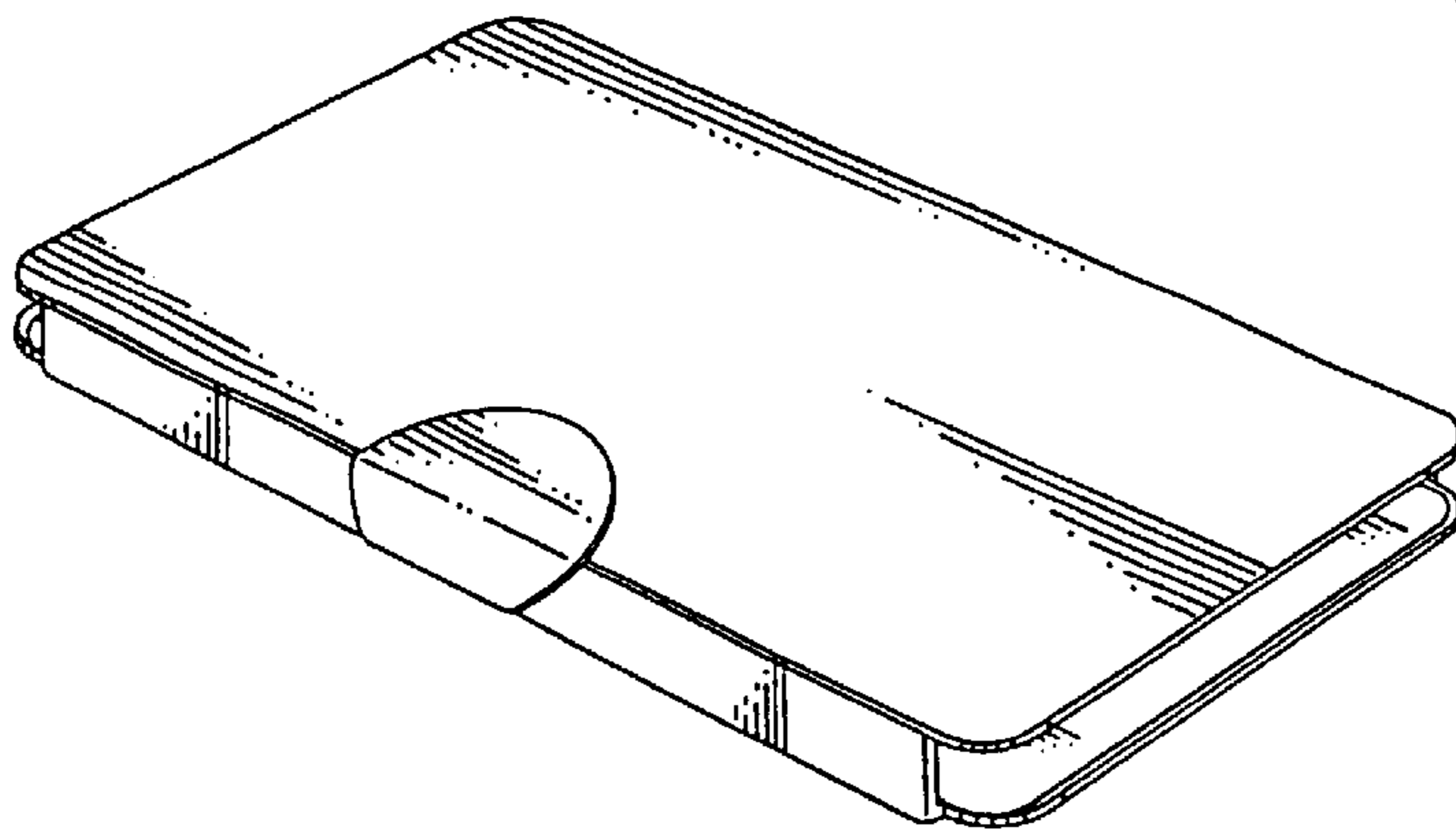


FIG. 15

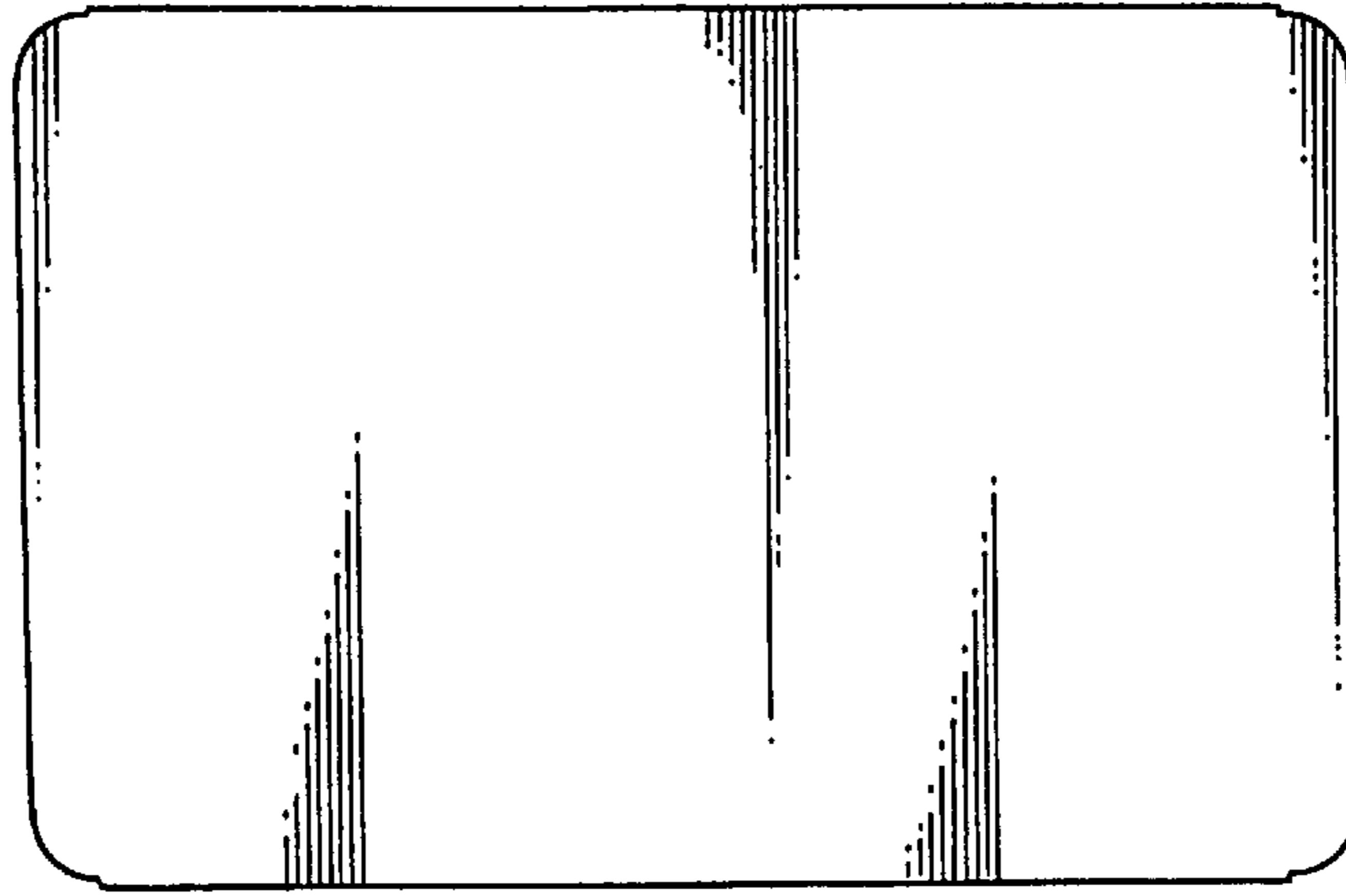


FIG. 14

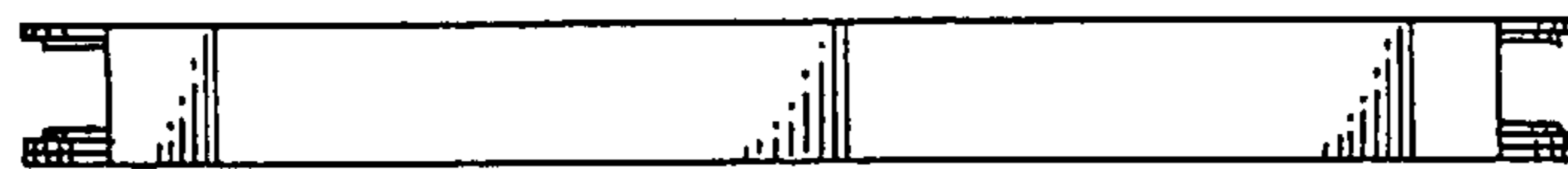


FIG. 11 FIG. 10

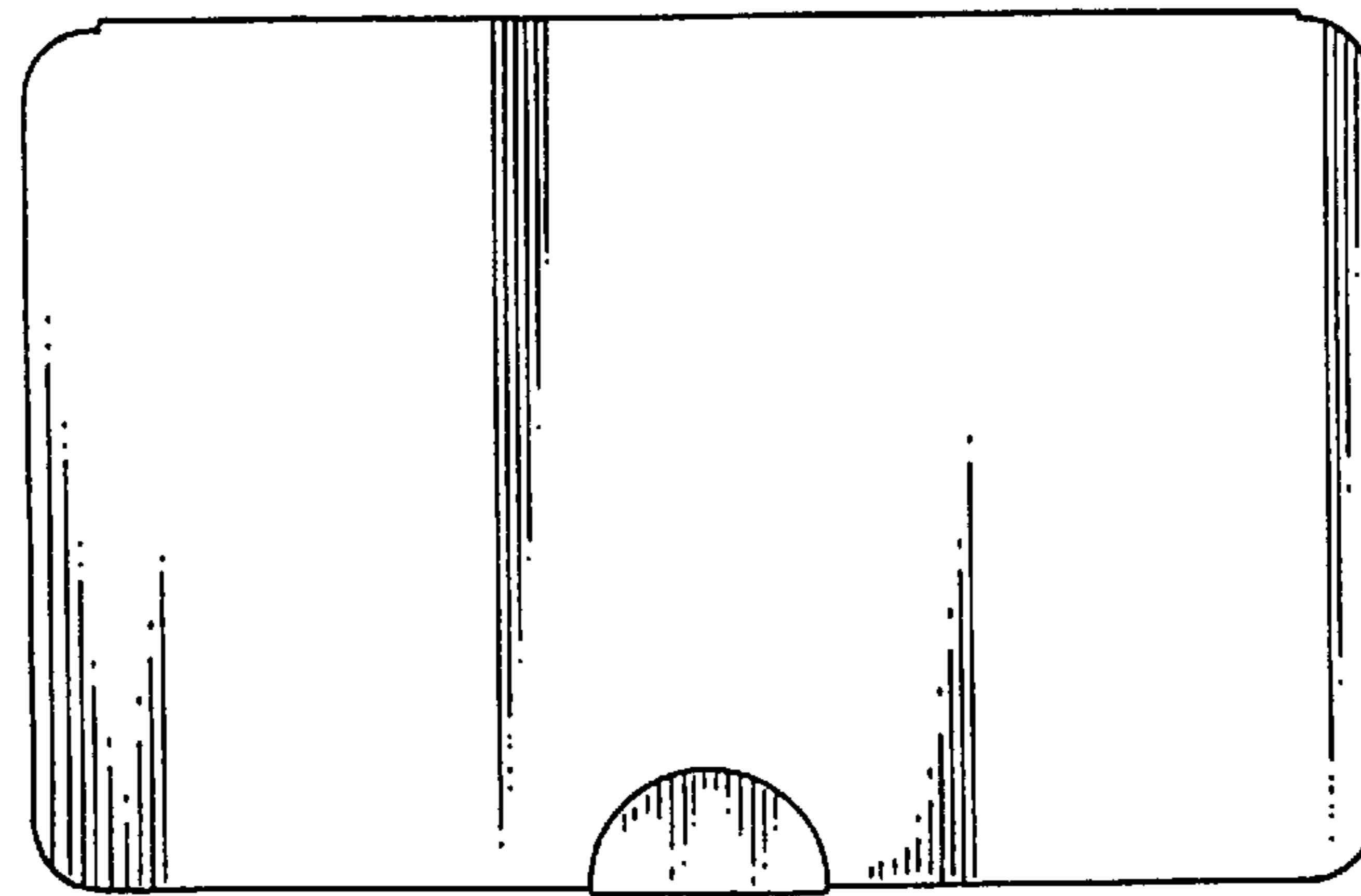
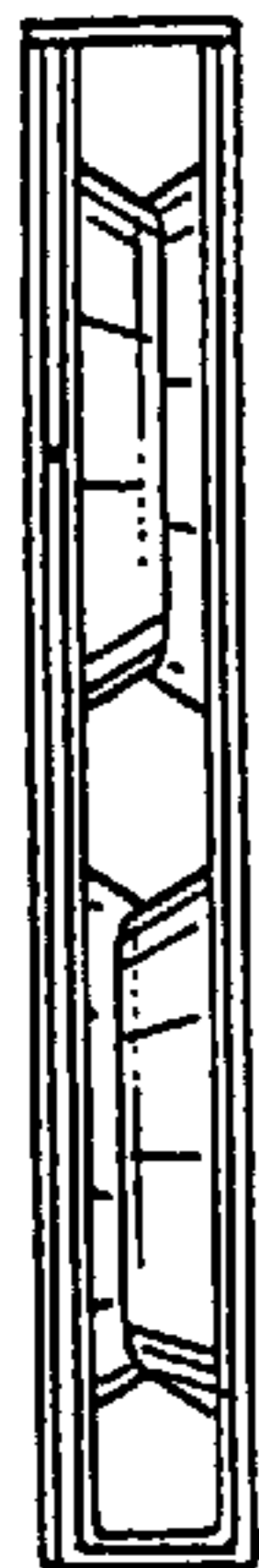


FIG. 12



FIG. 13



FIG. 16

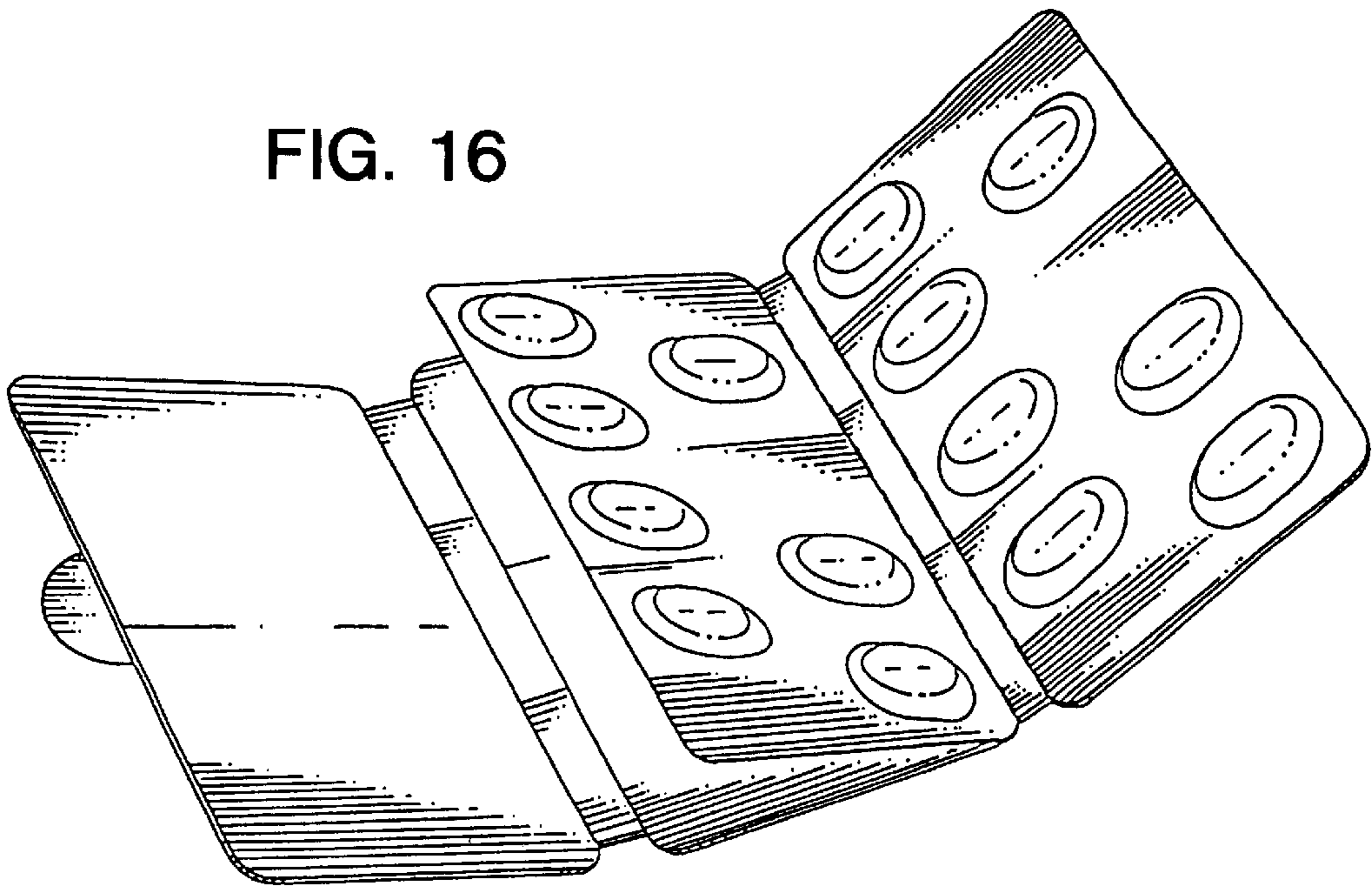


FIG. 17

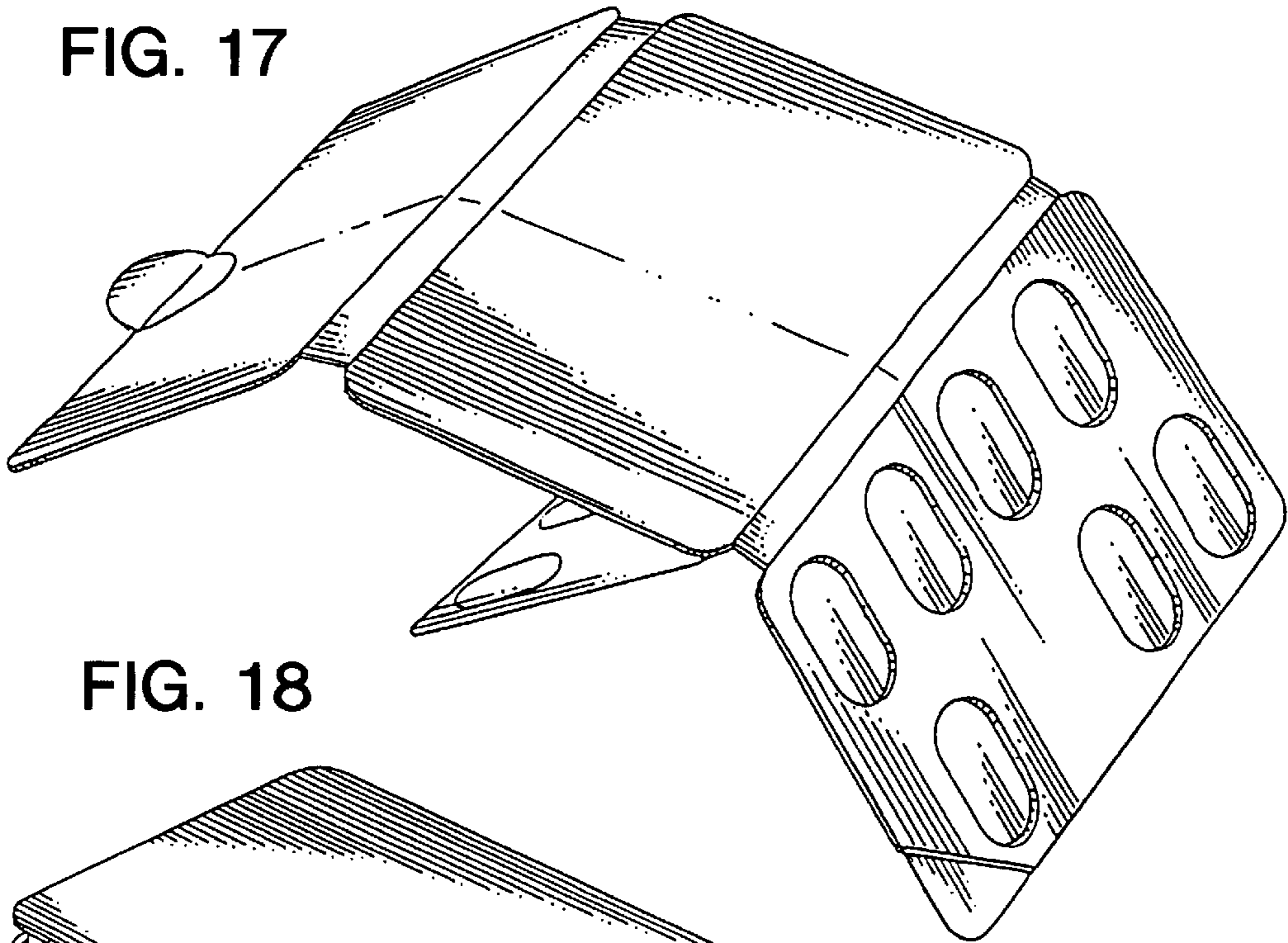


FIG. 18

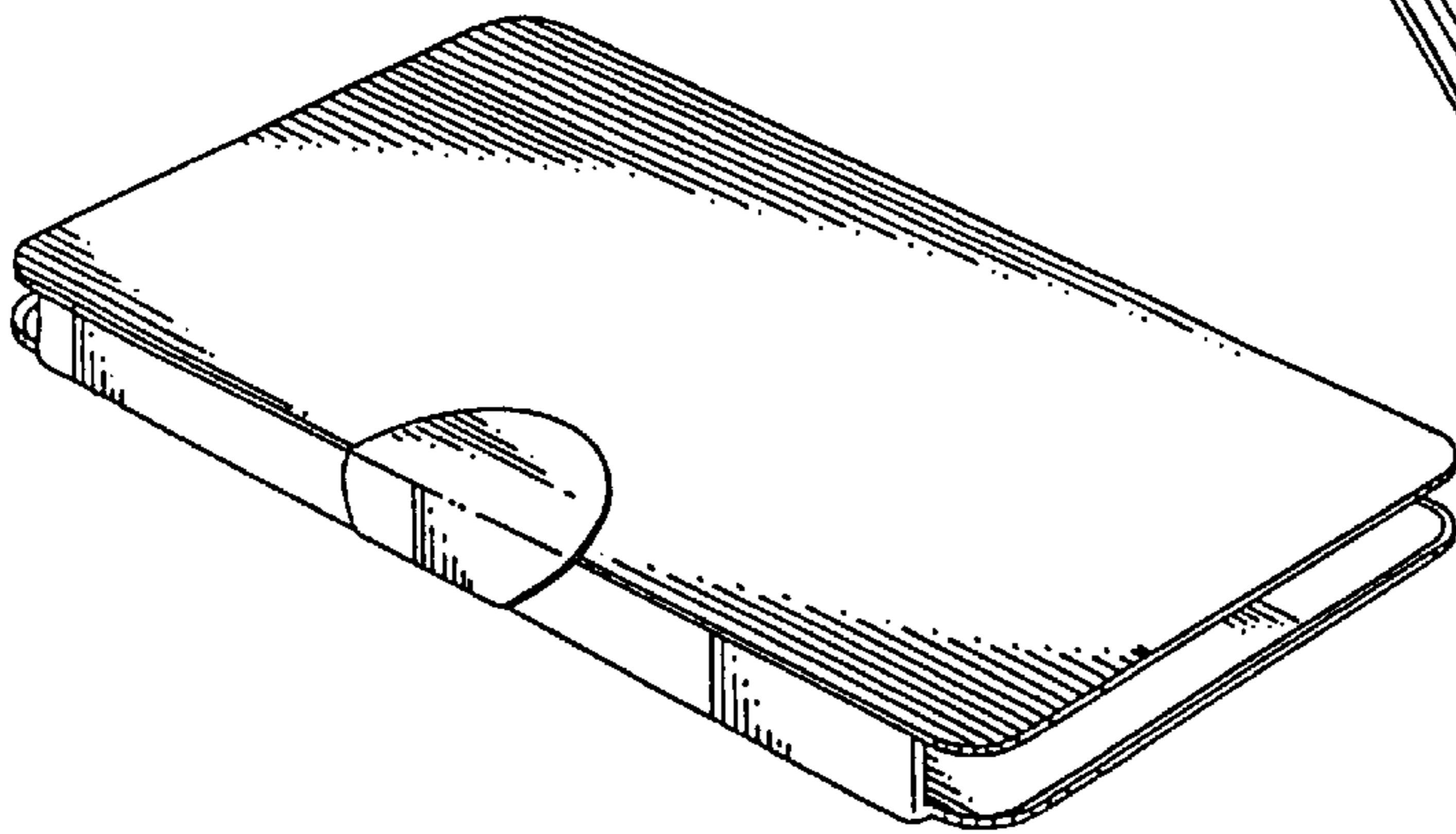


FIG. 24

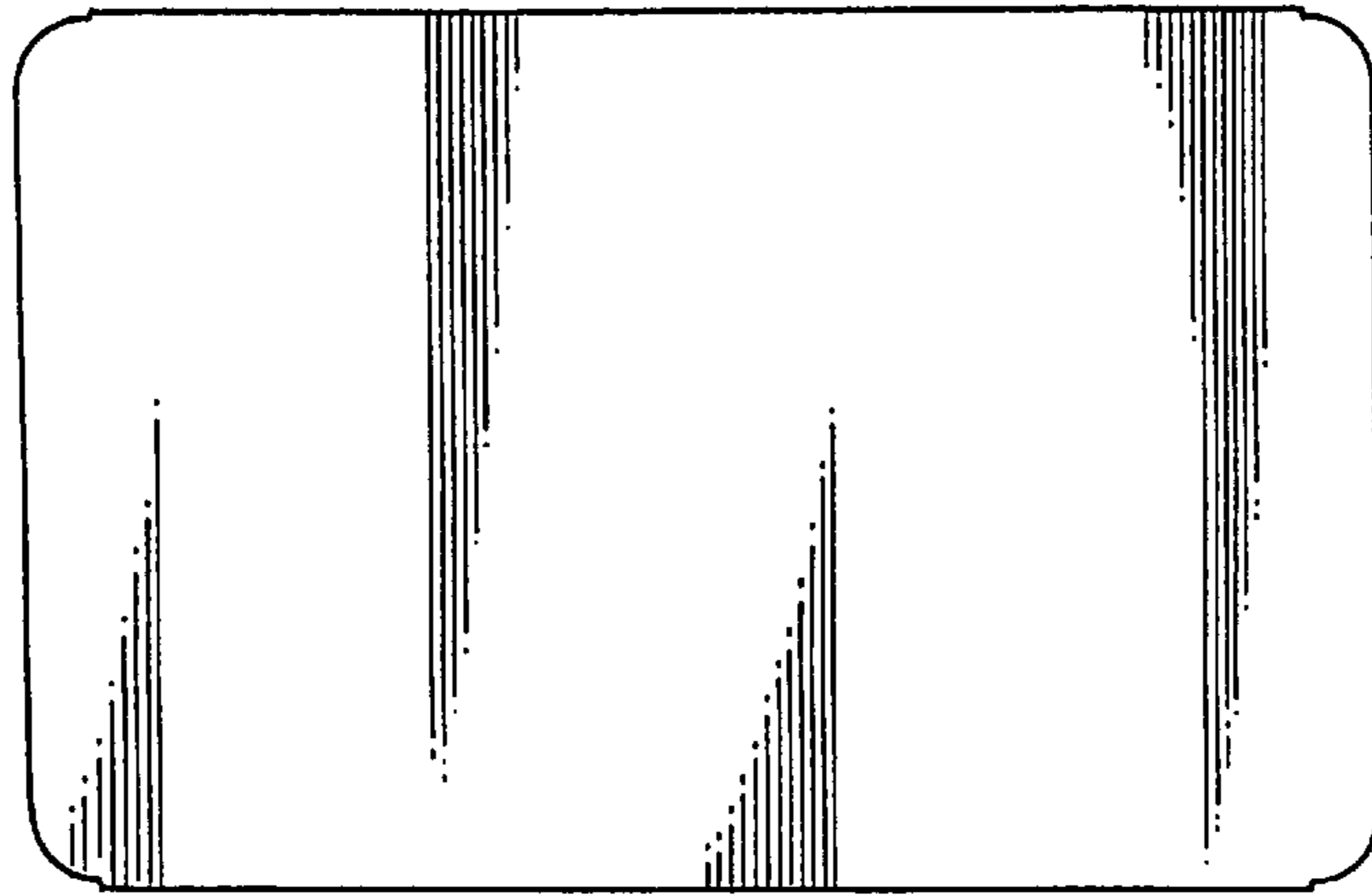


FIG. 23

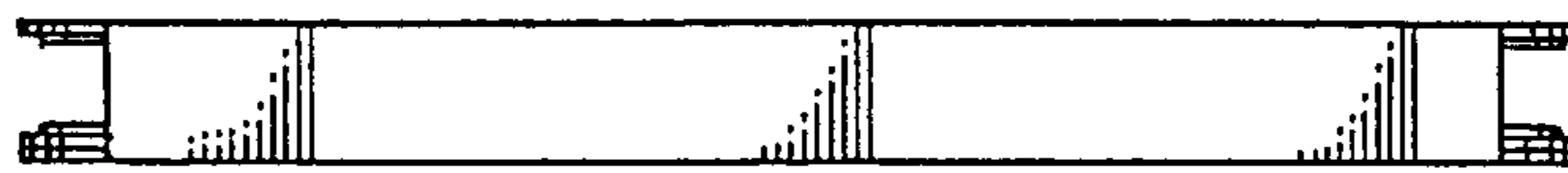


FIG. 20

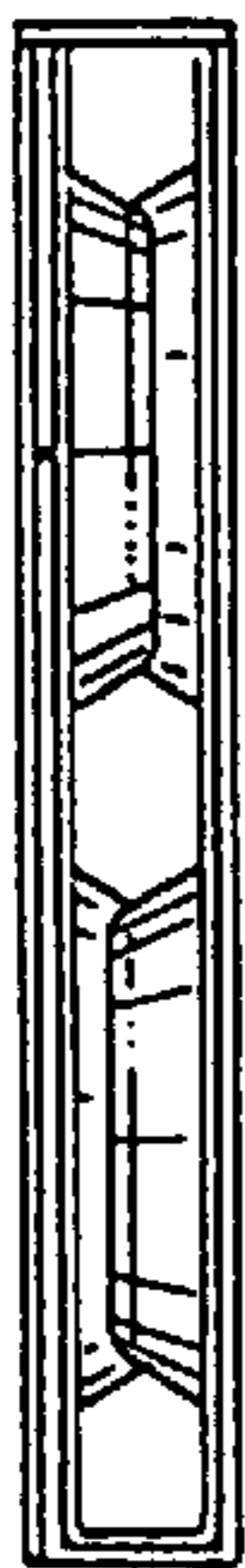


FIG. 19

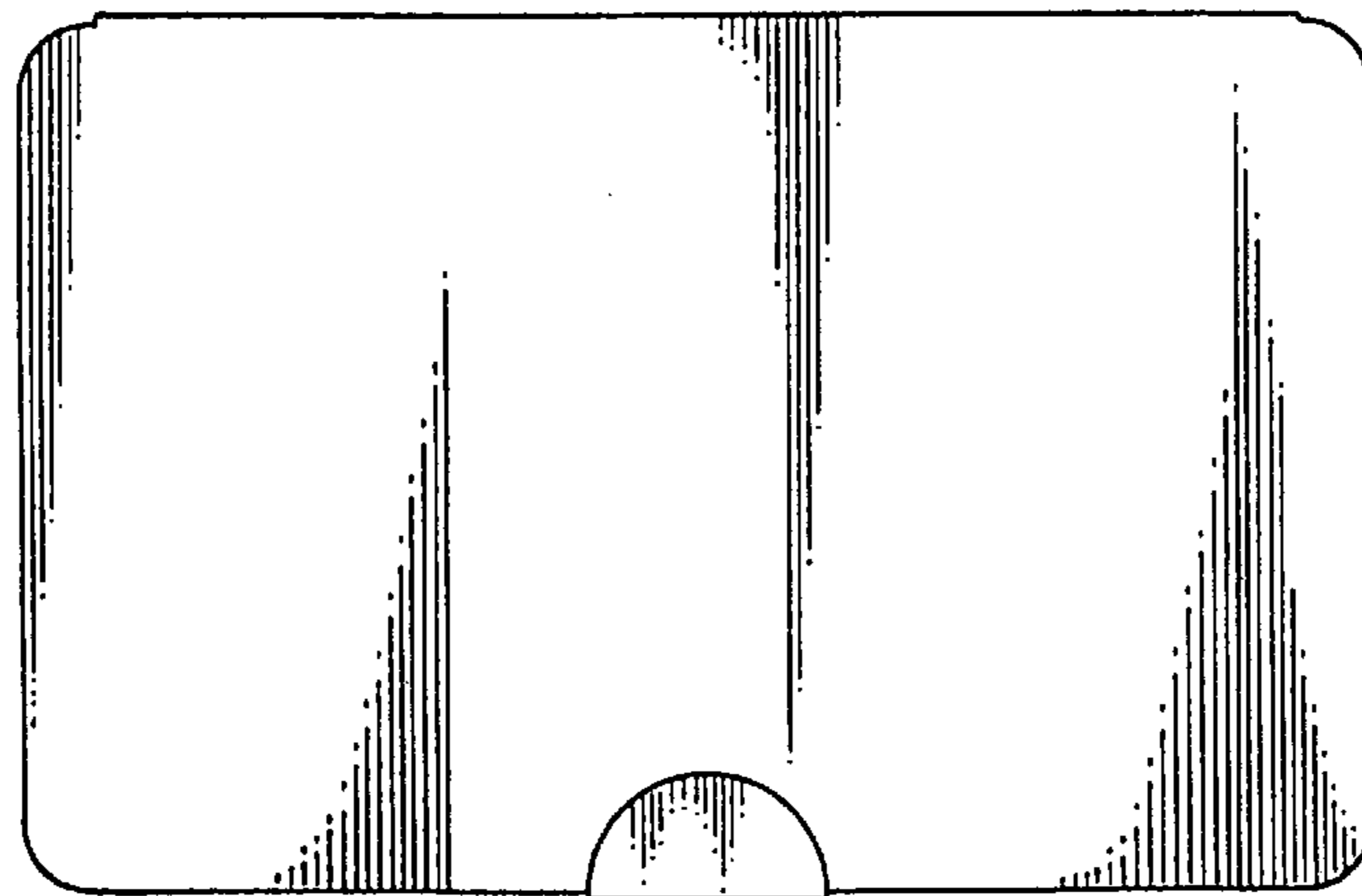


FIG. 21



FIG. 22



FIG. 25

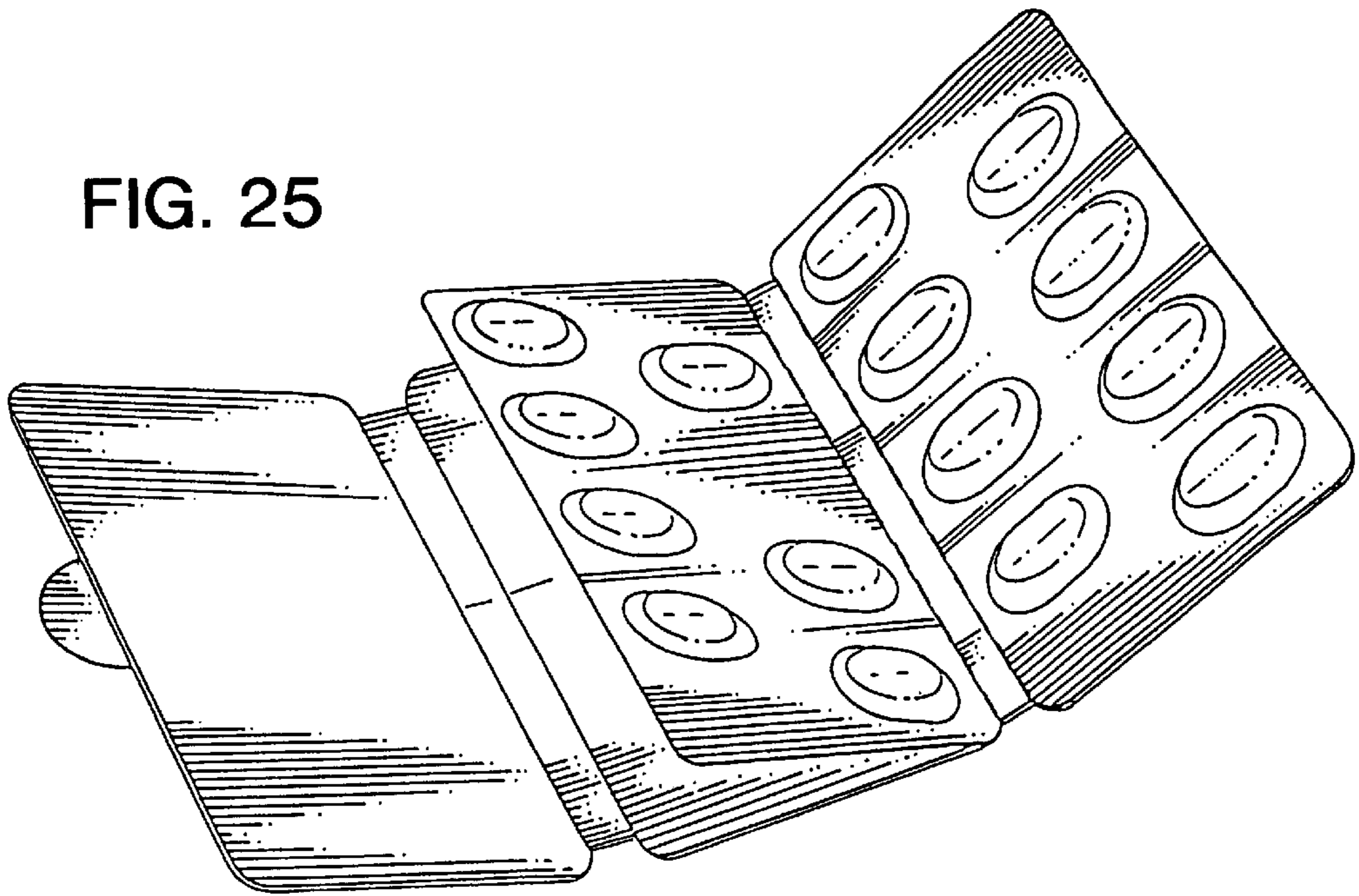


FIG. 26

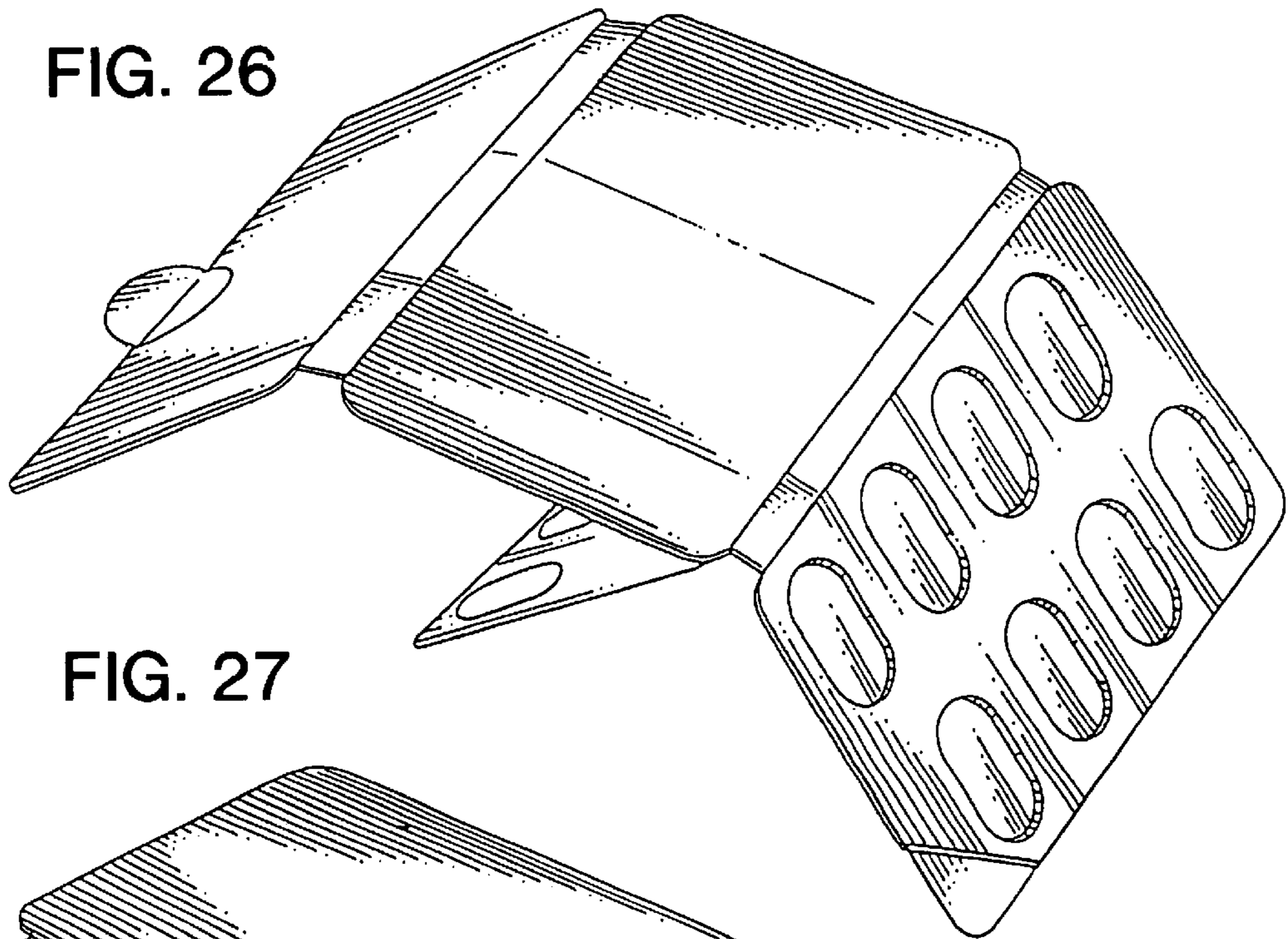


FIG. 27

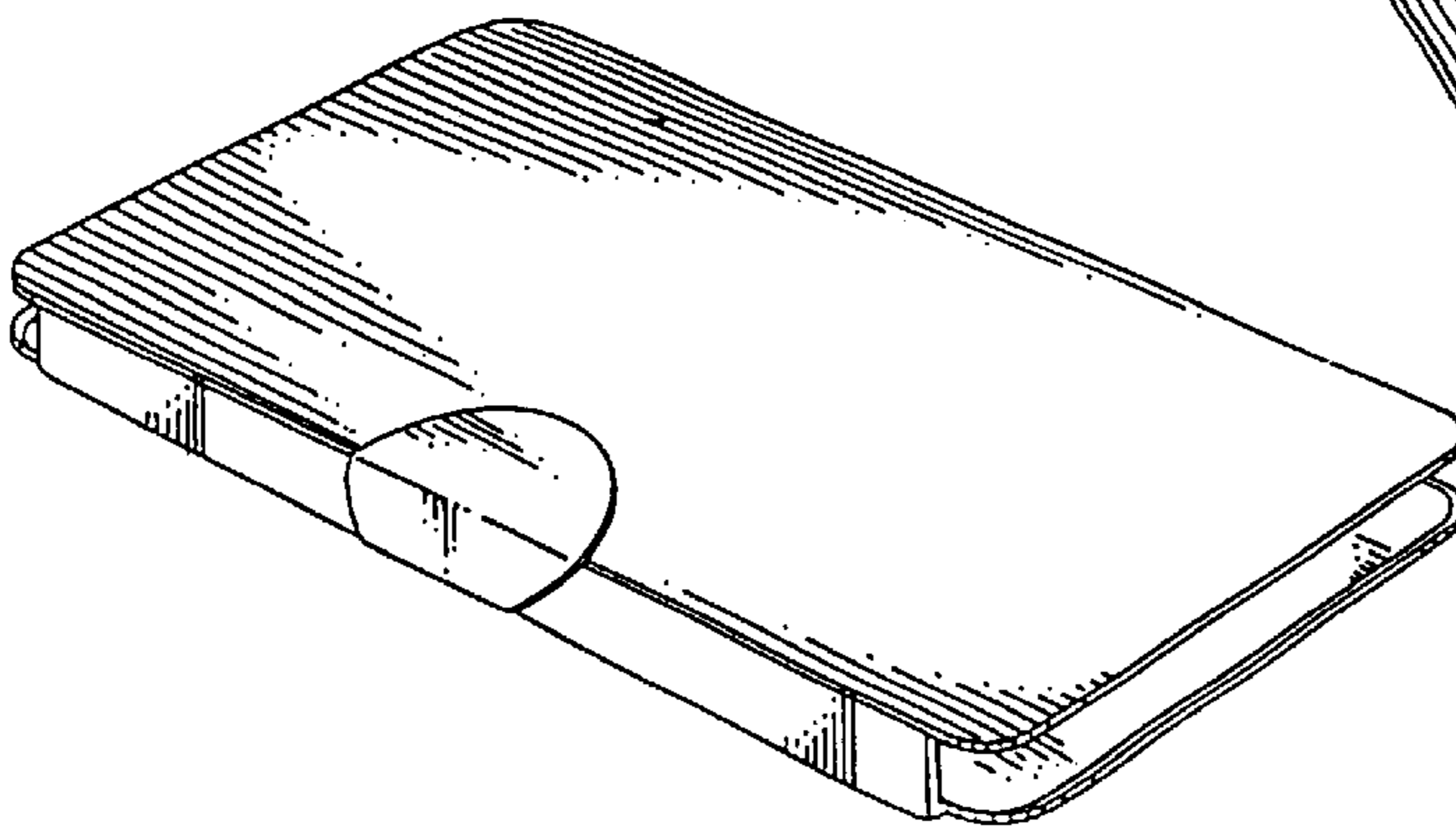




FIG. 33

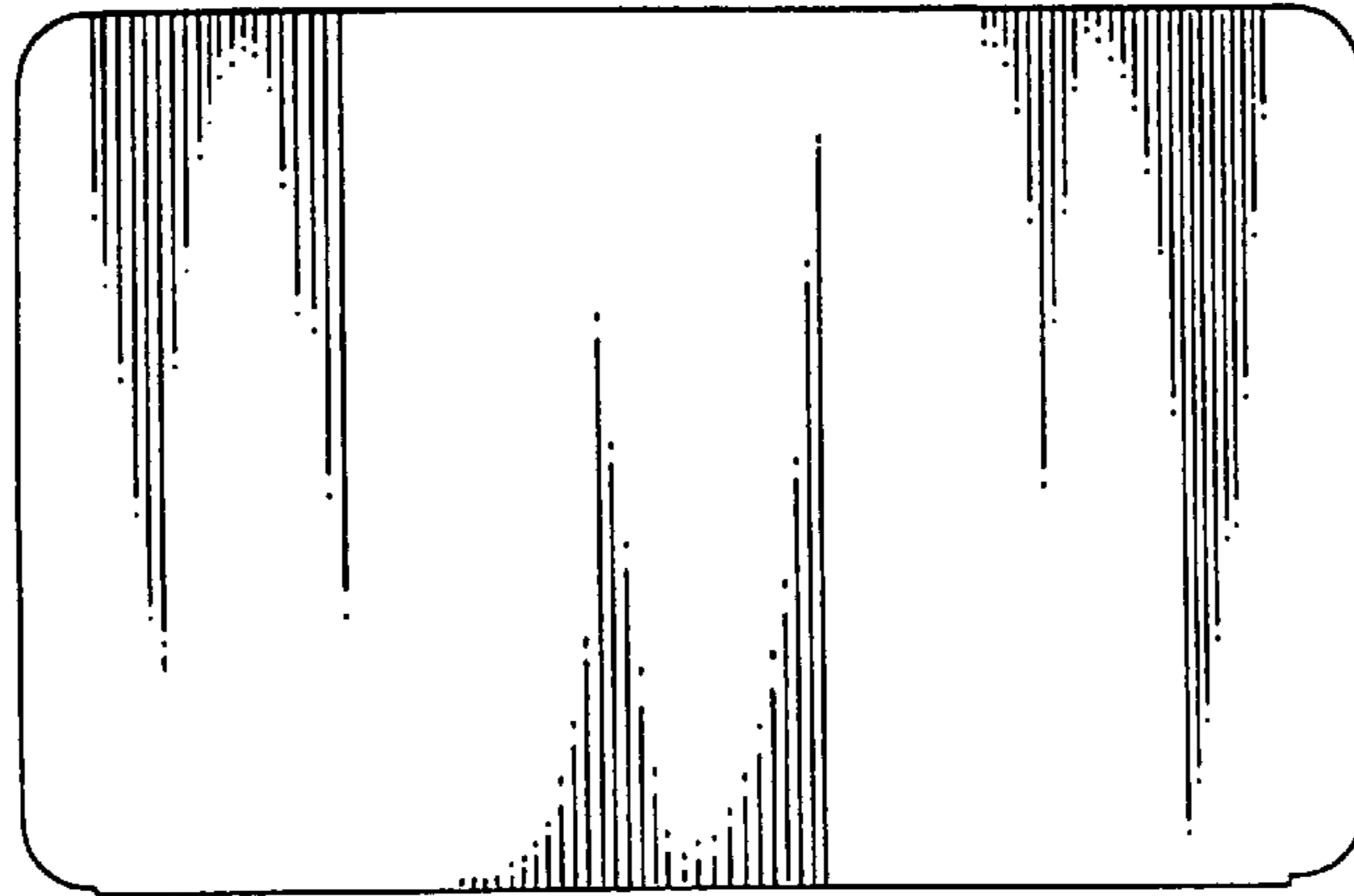


FIG. 32

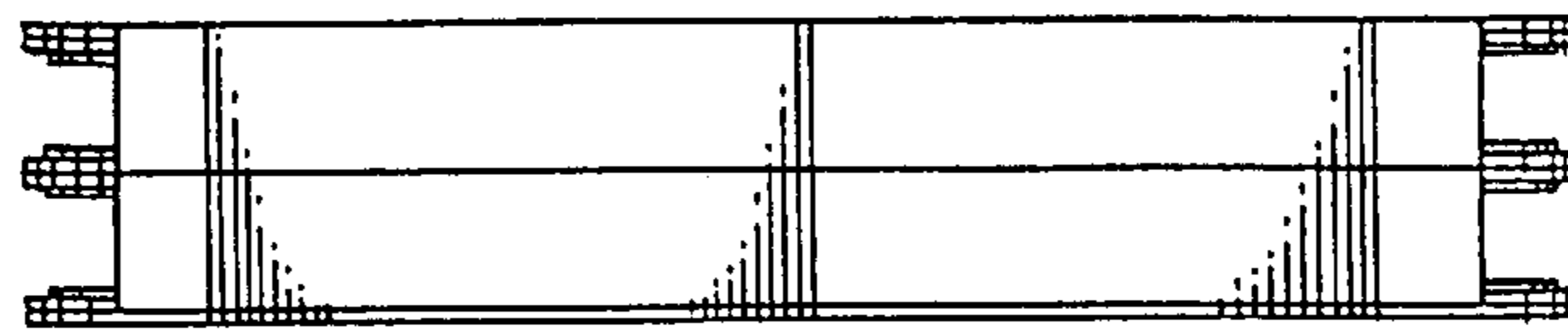


FIG. 29

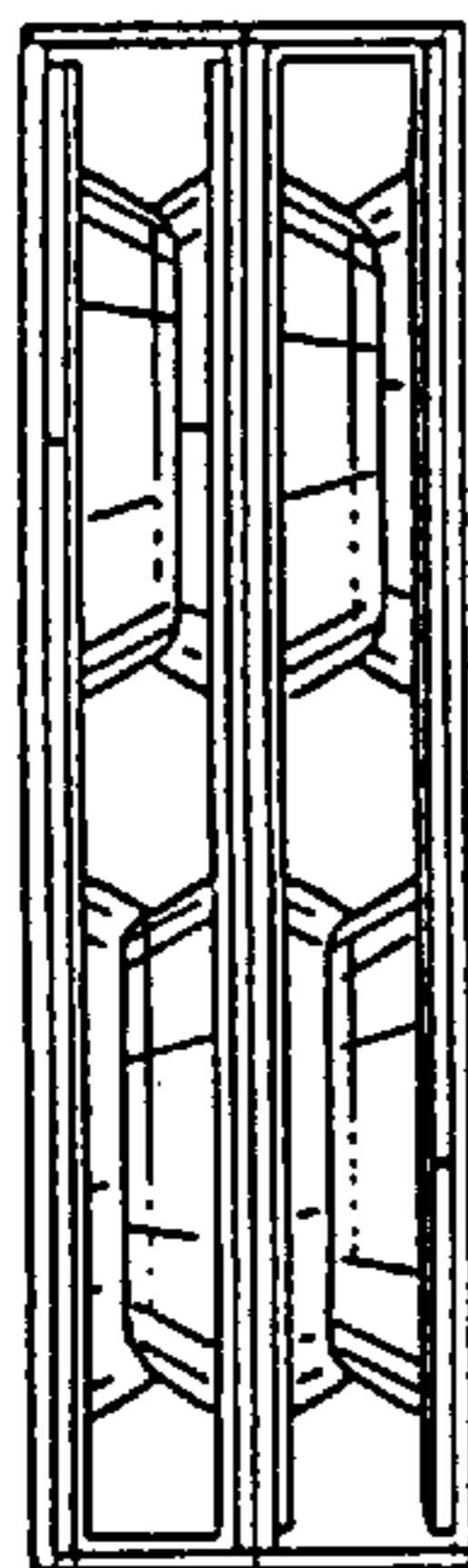


FIG. 28

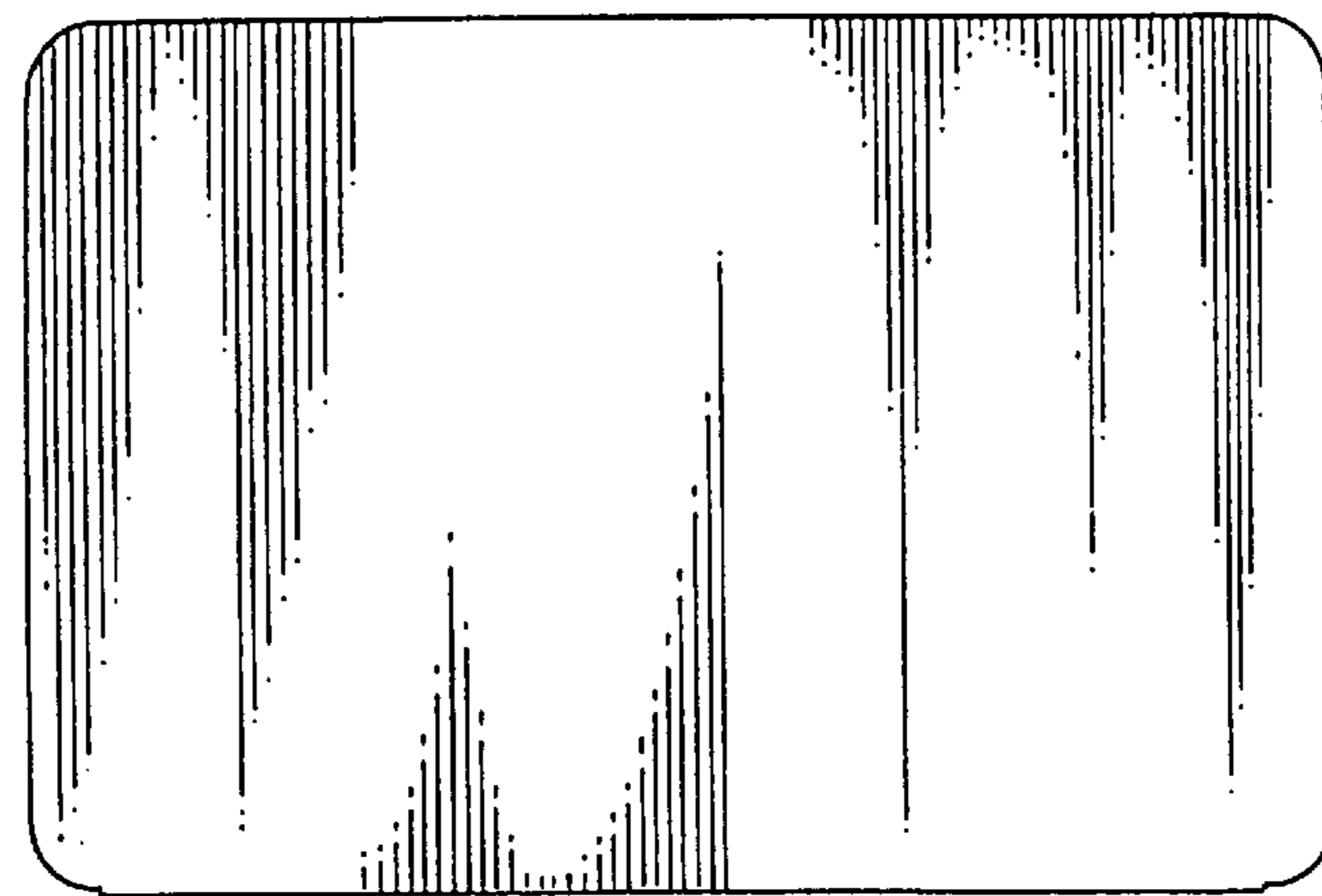


FIG. 30

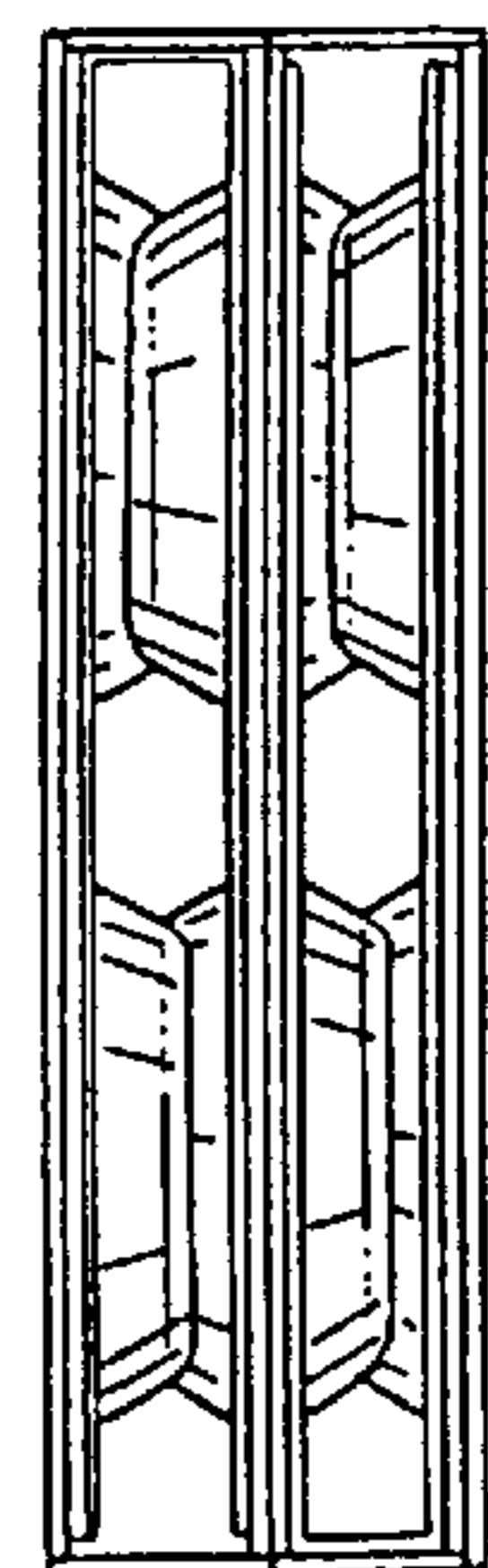


FIG. 31

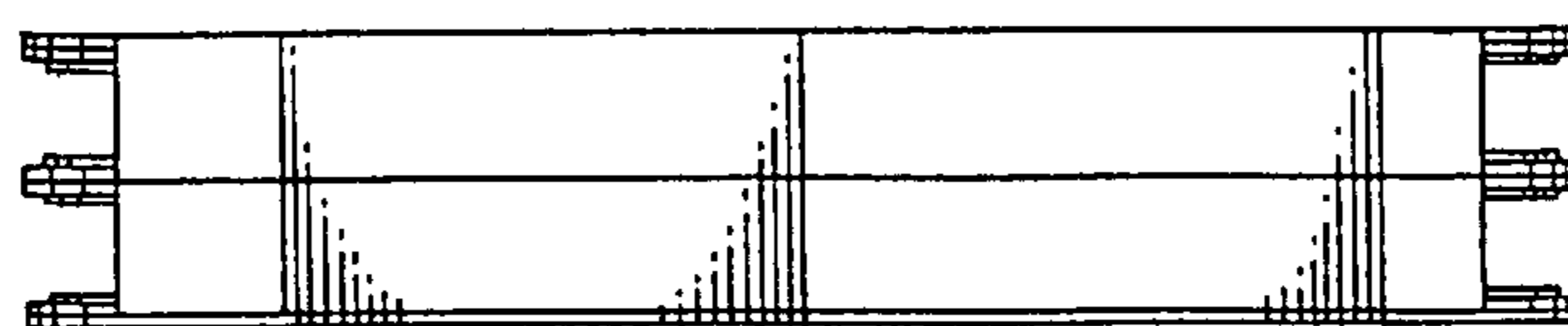


FIG. 34

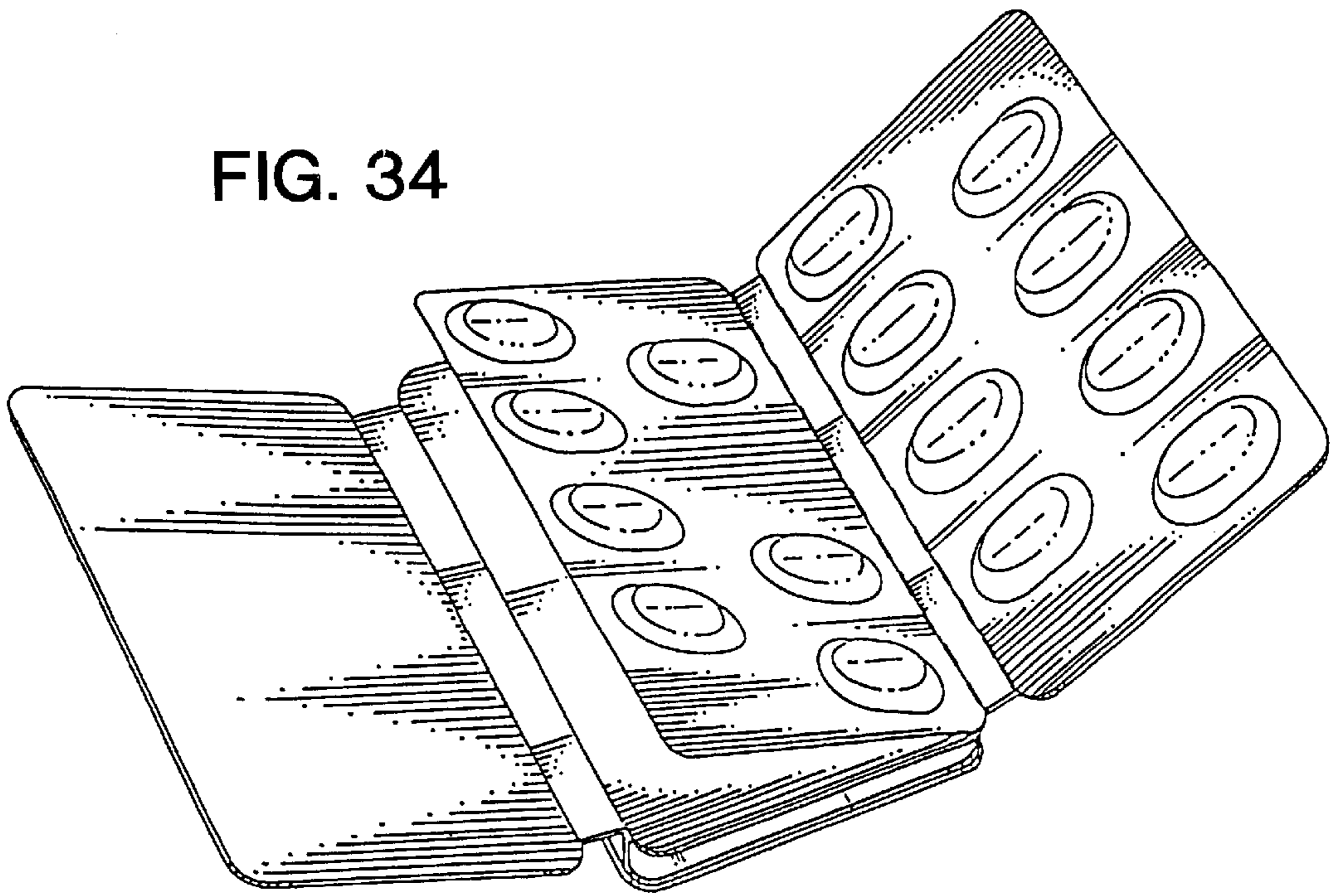


FIG. 35

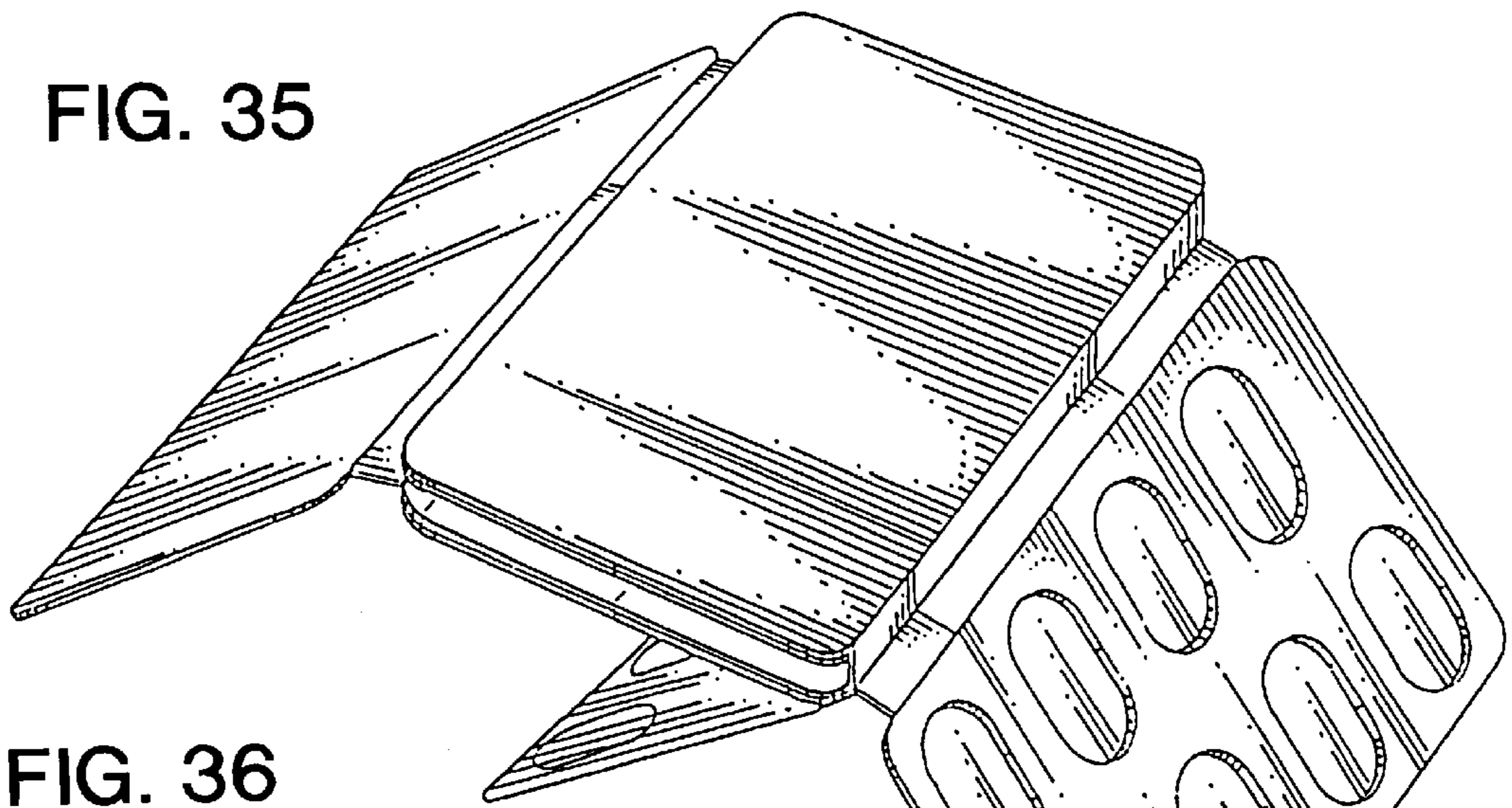
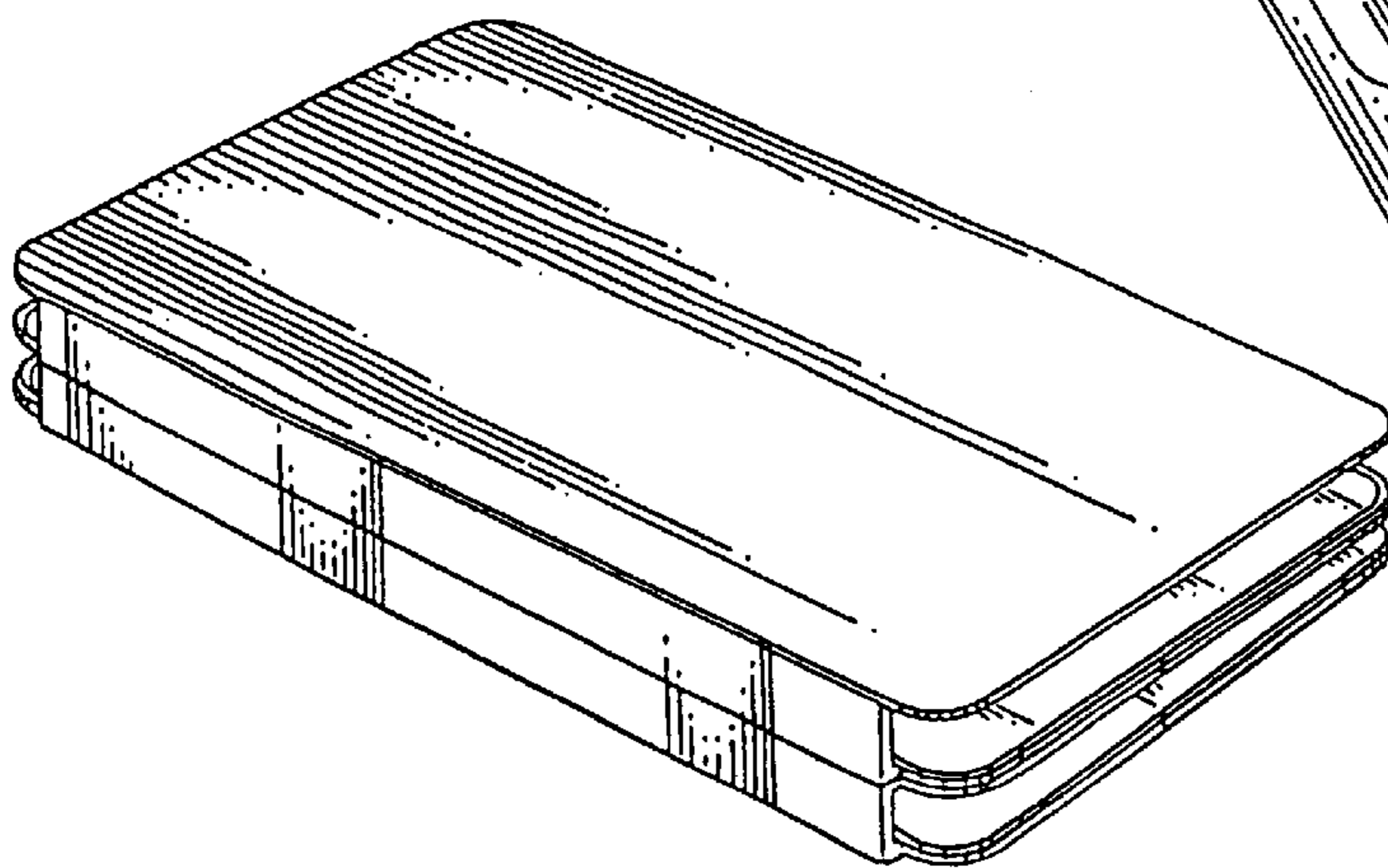


FIG. 36



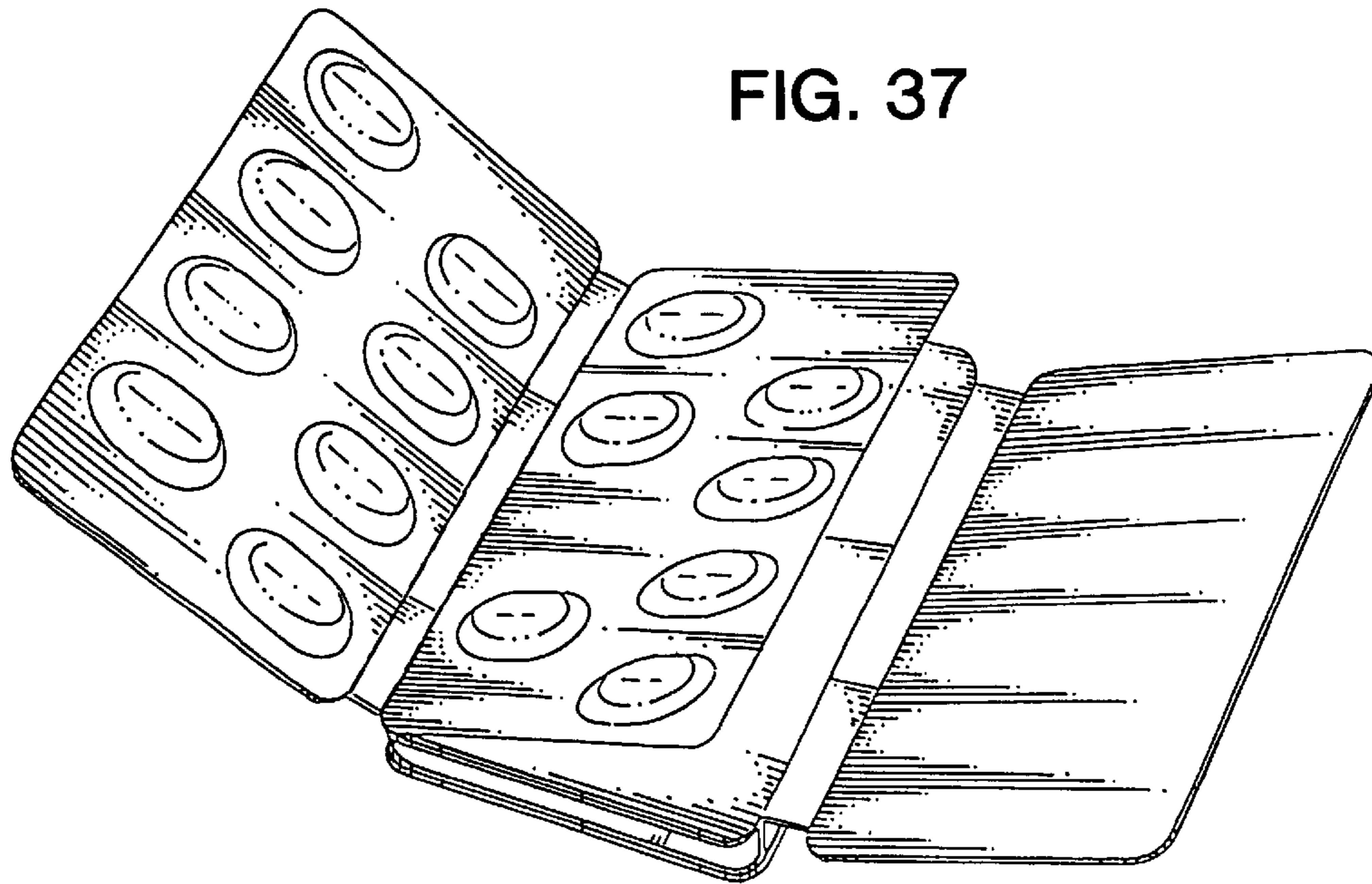


FIG. 37

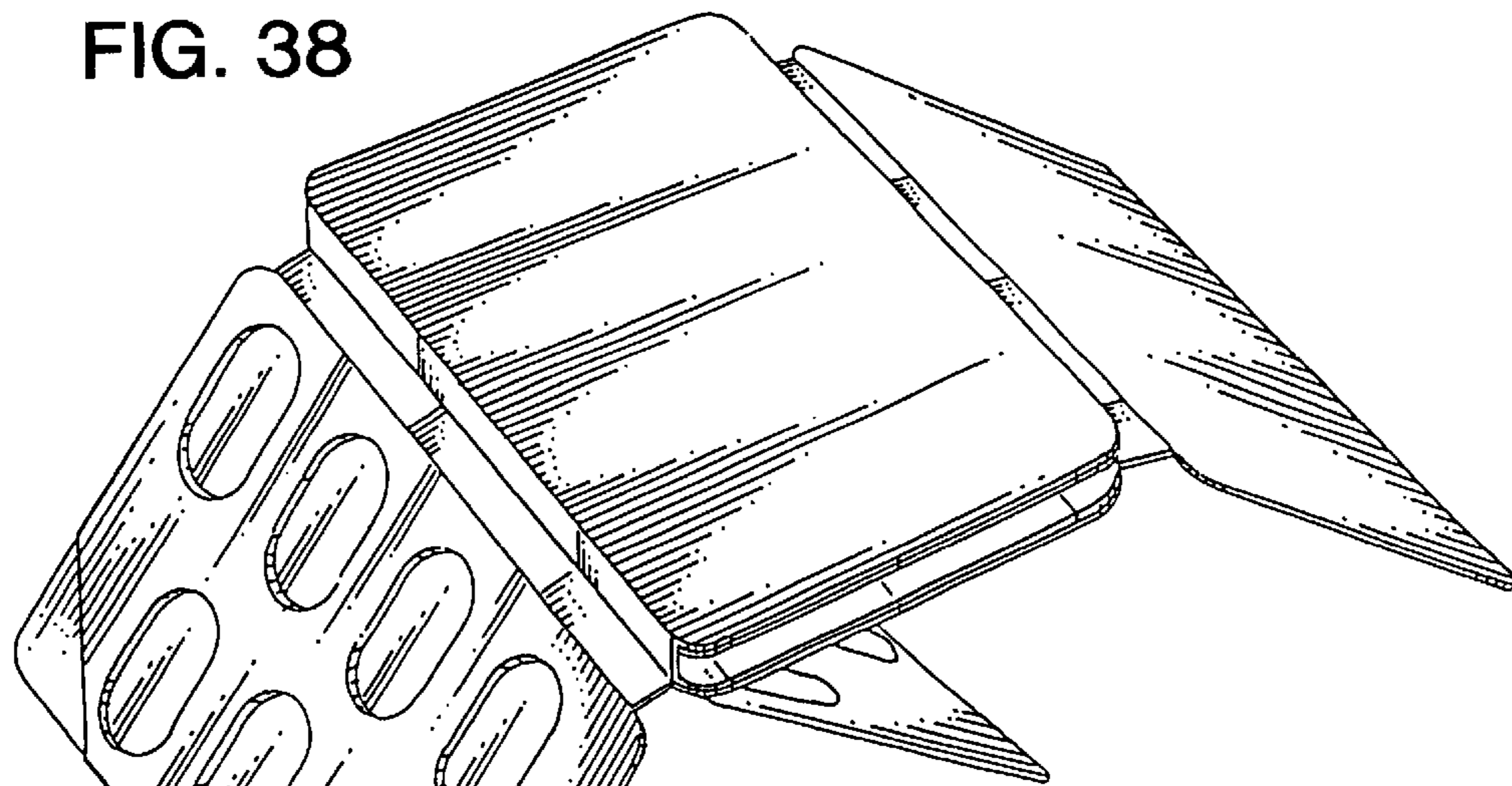


FIG. 38

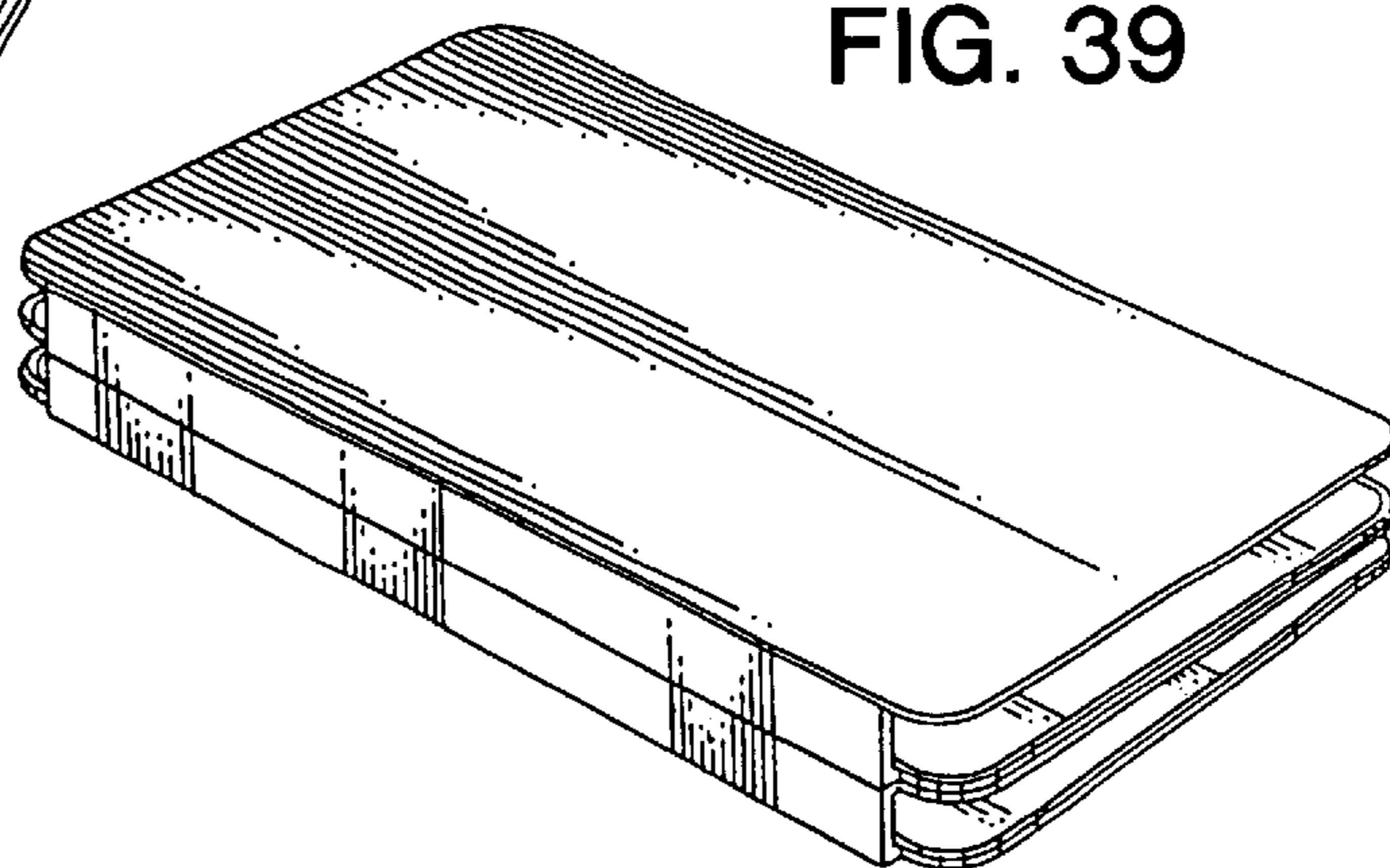


FIG. 39

FIG. 45

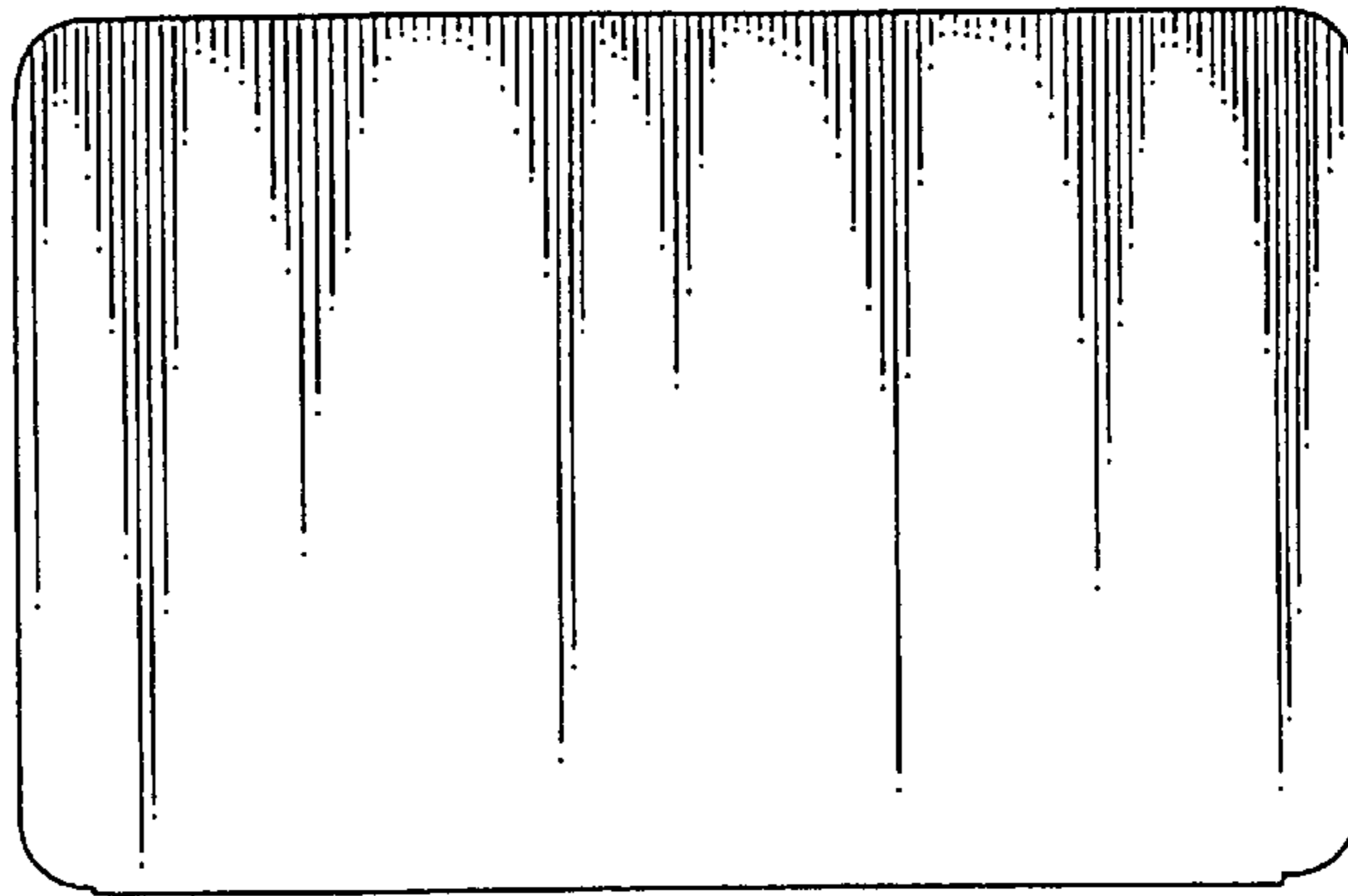


FIG. 44

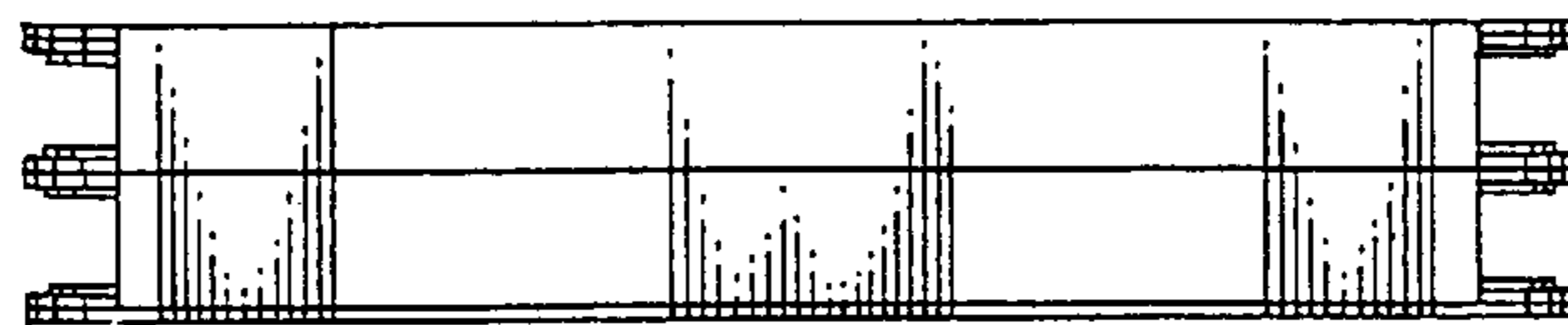


FIG. 41

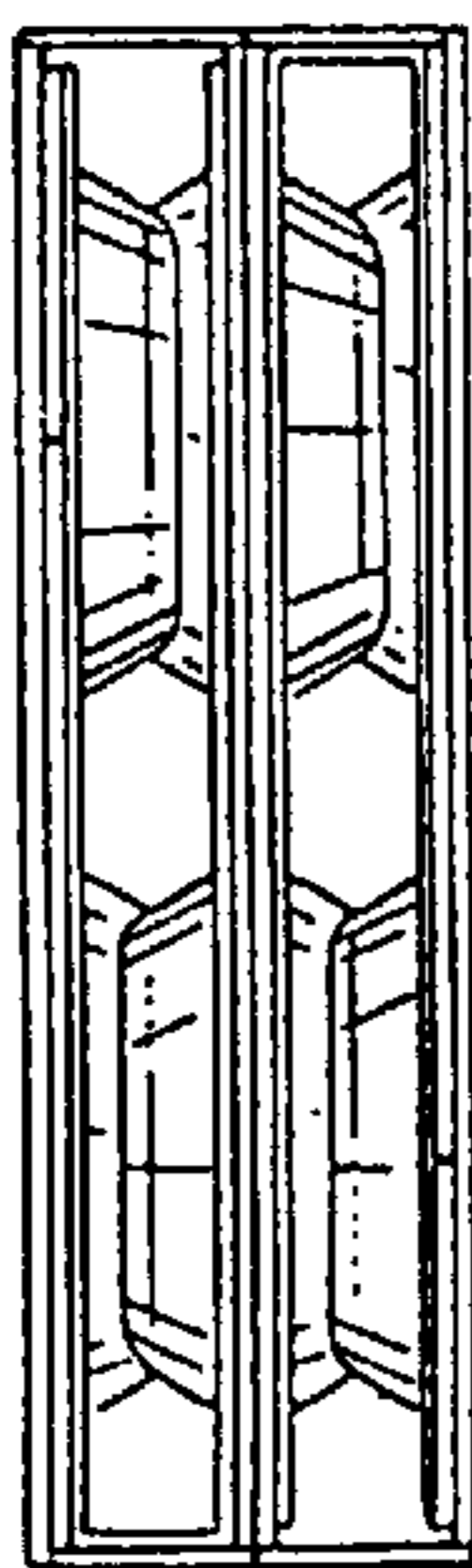


FIG. 40

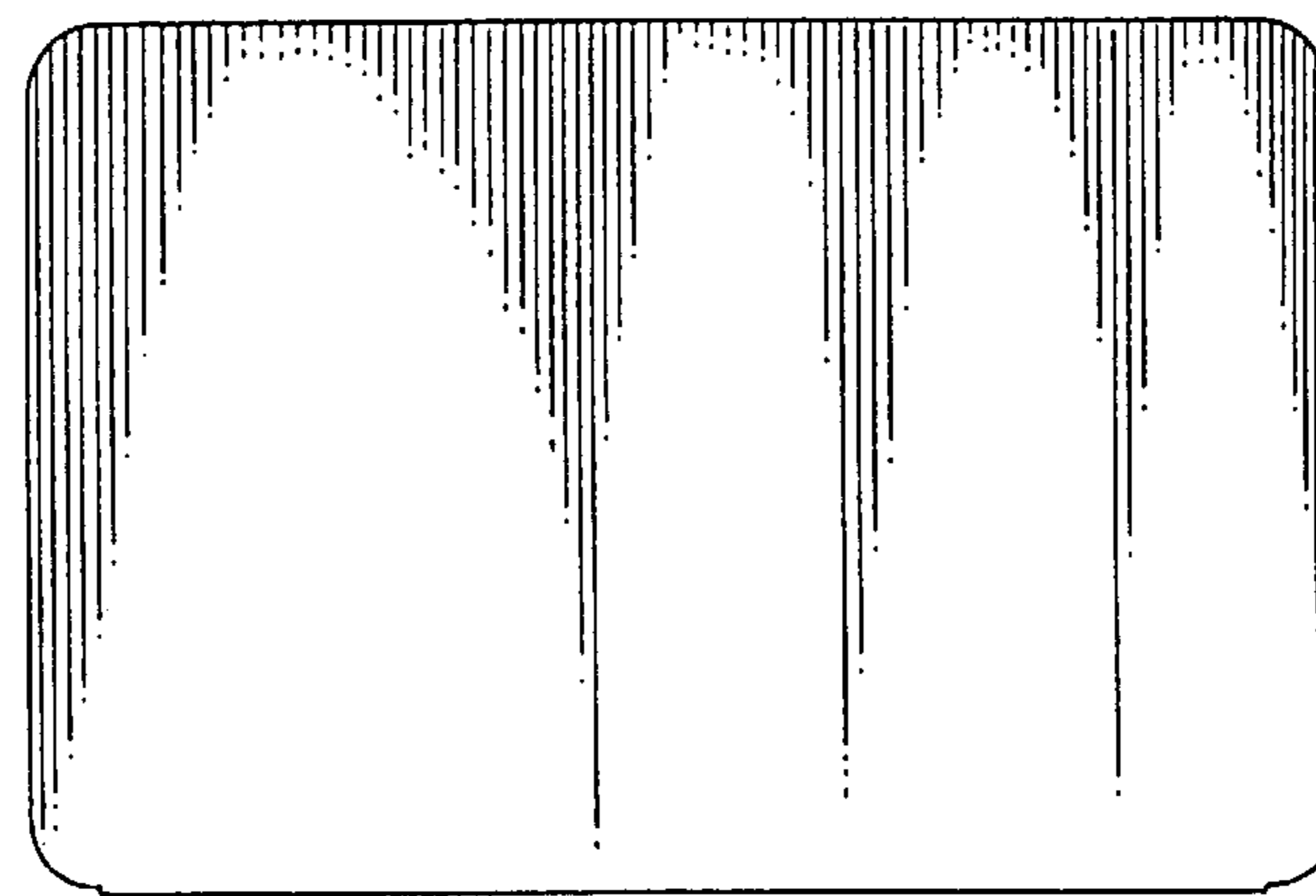


FIG. 42

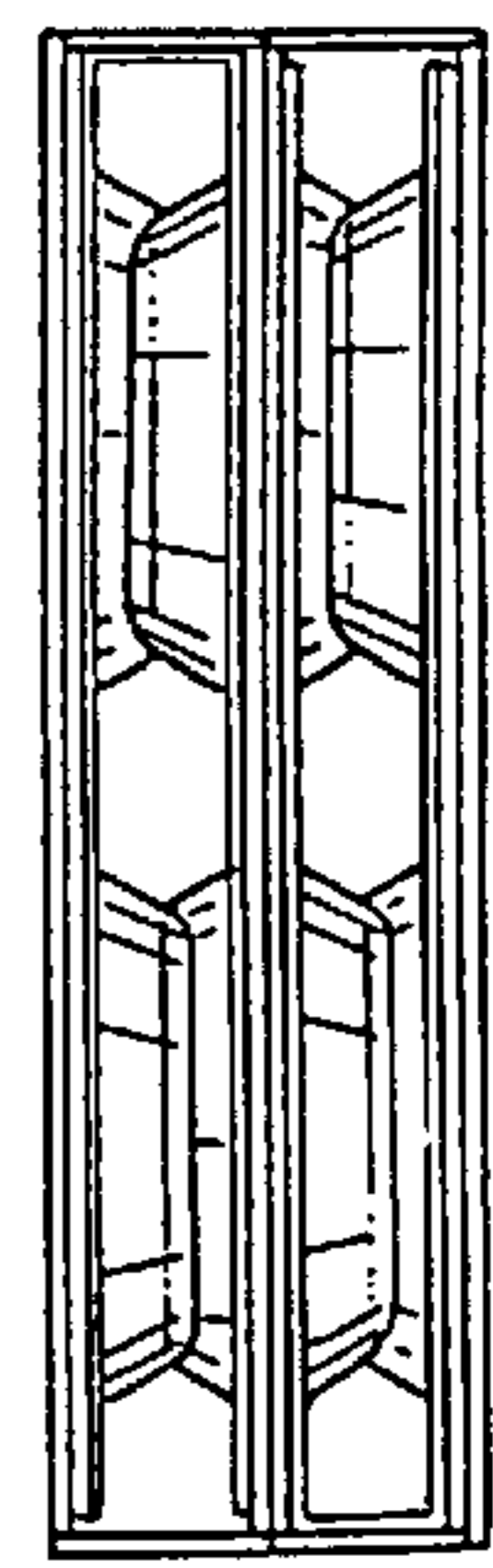


FIG. 43

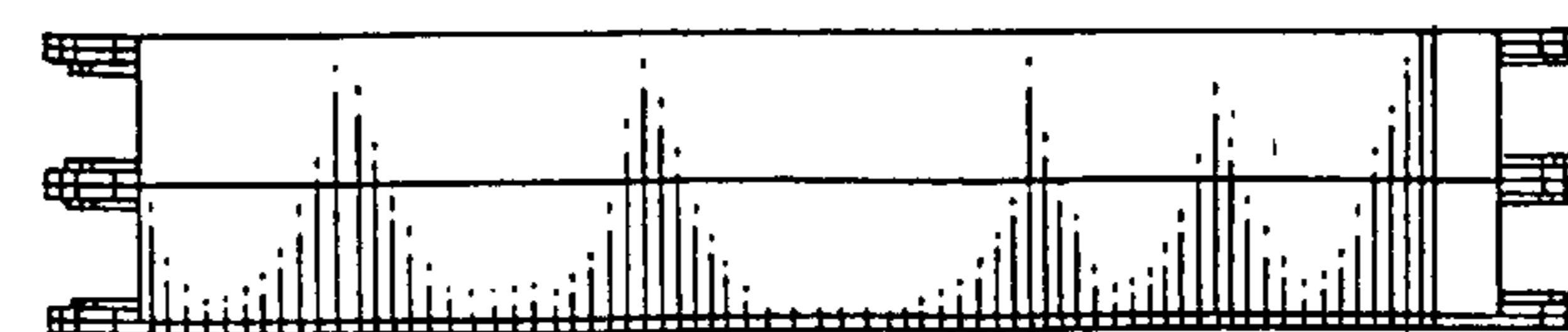


FIG. 46

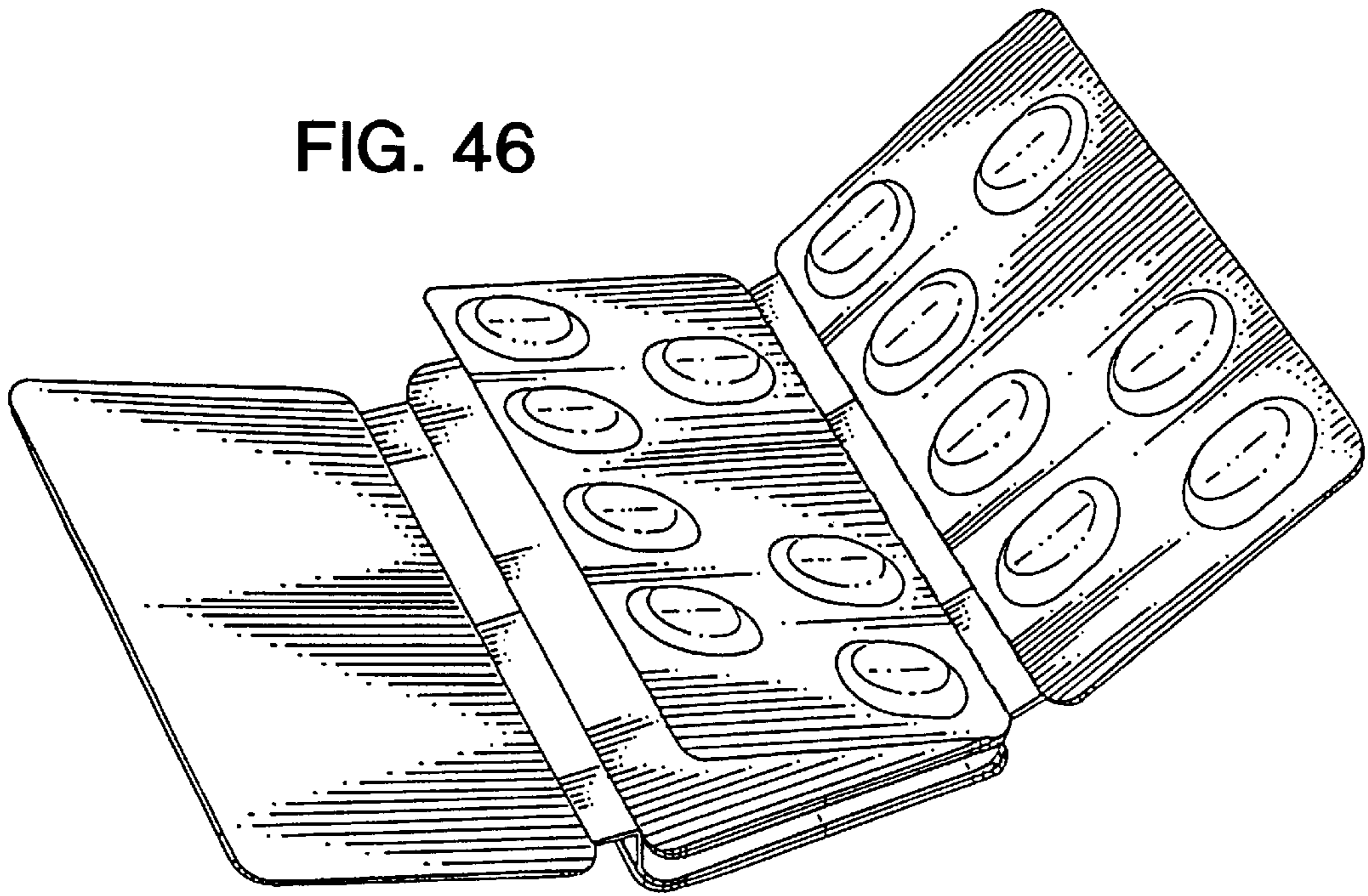


FIG. 47

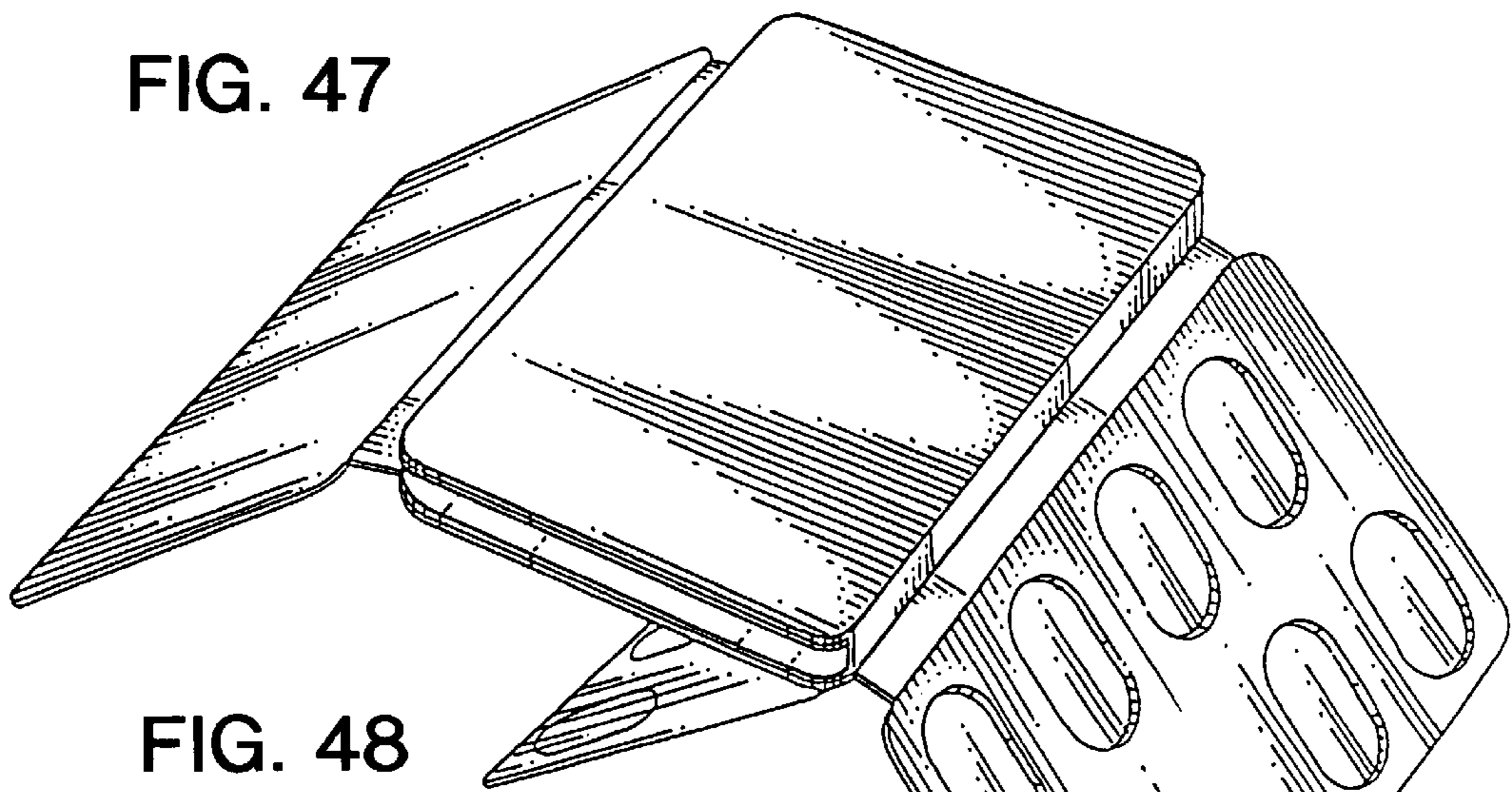
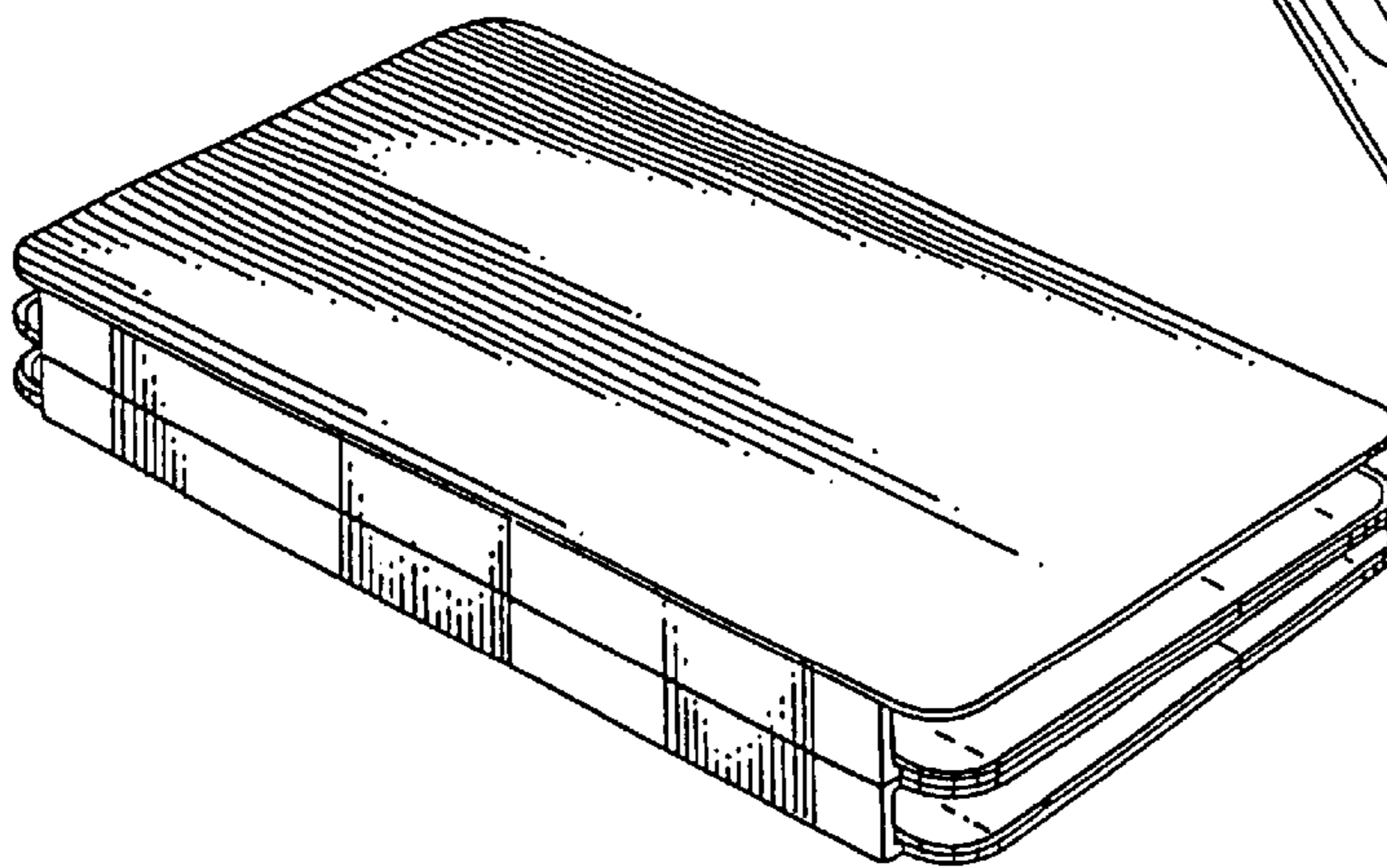


FIG. 48



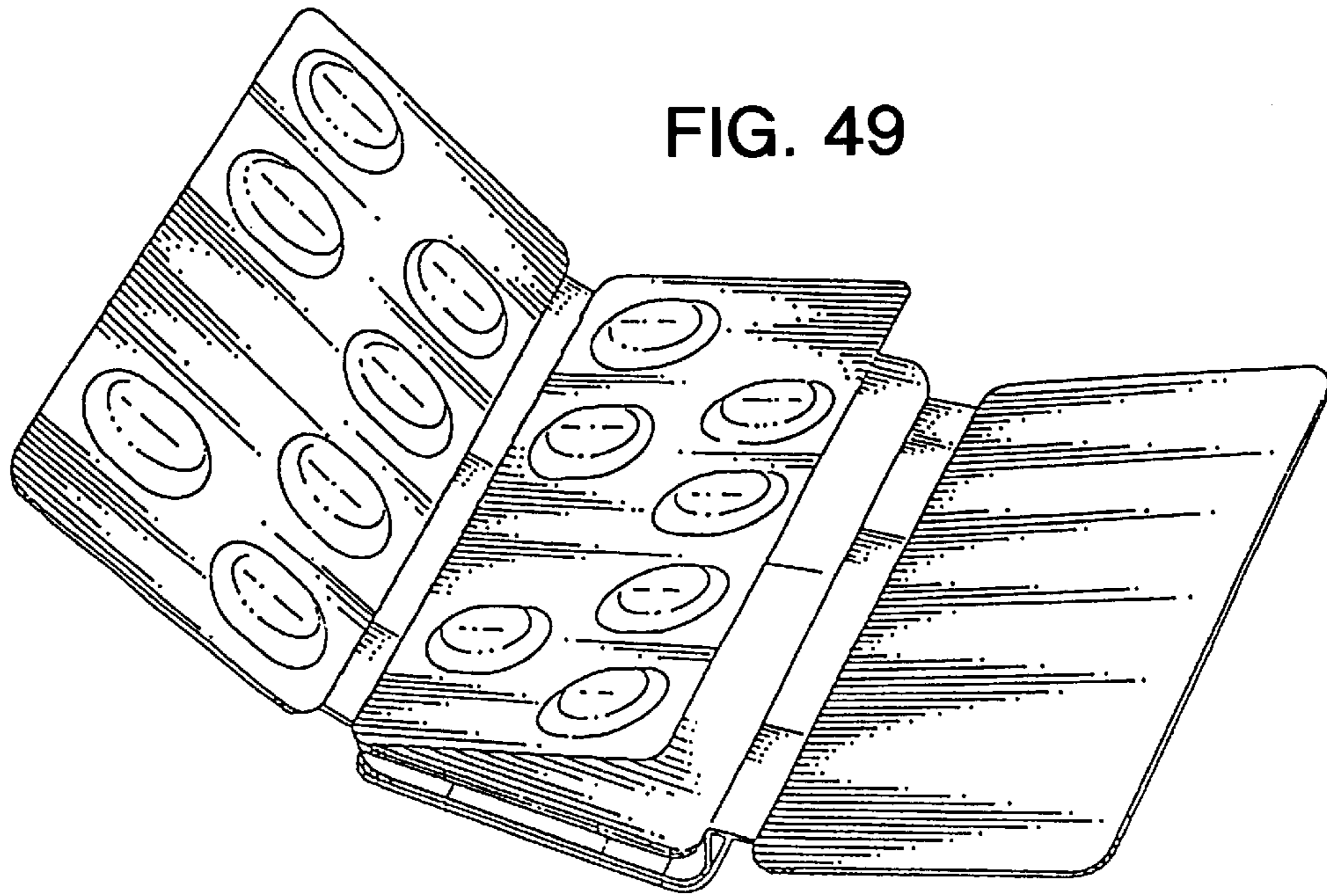


FIG. 49

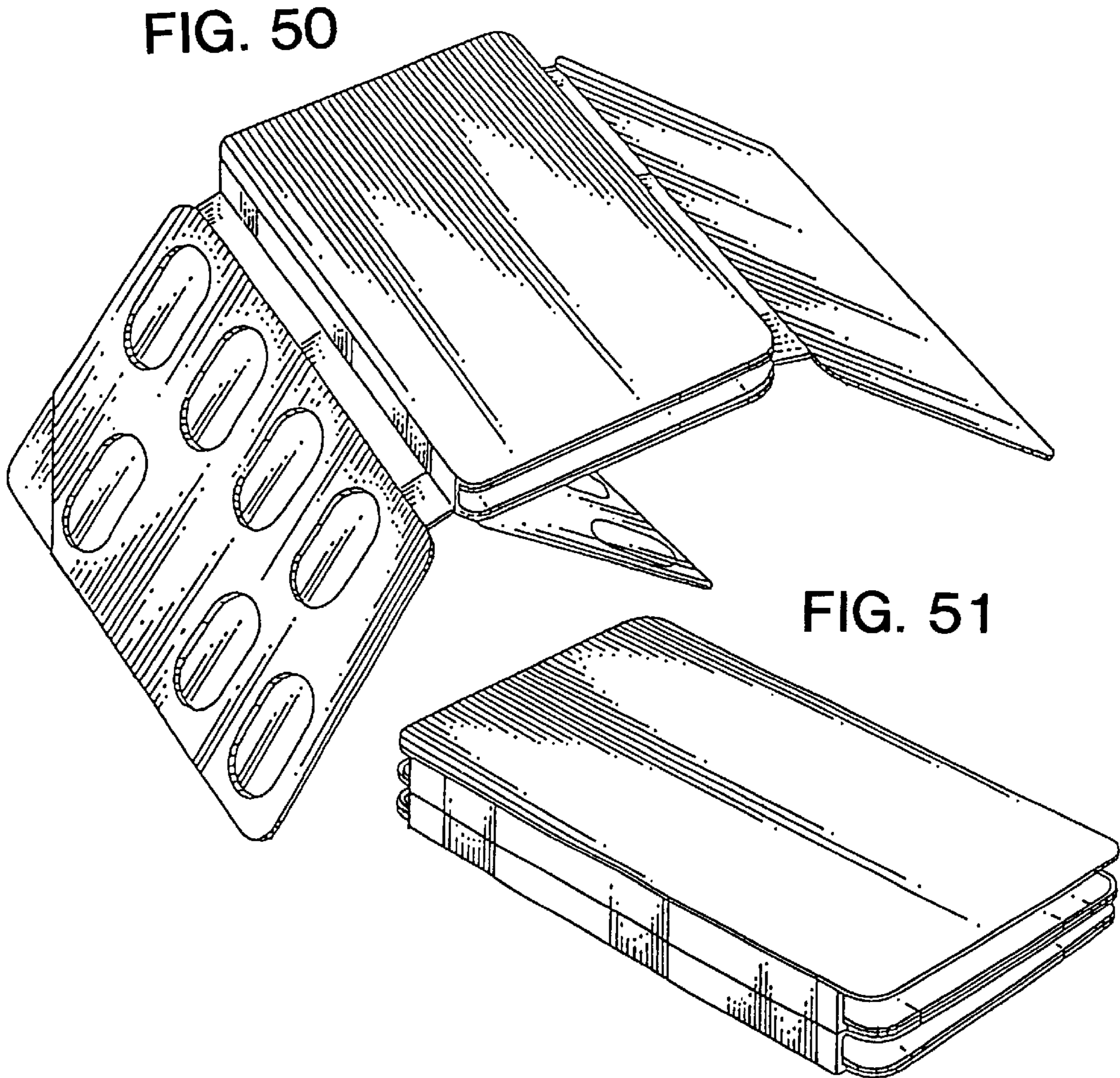


FIG. 50

FIG. 51