



US00D454777S

(12) **United States Design Patent**
Yoshiguchi

(10) **Patent No.:** **US D454,777 S**

(45) **Date of Patent:** **** Mar. 26, 2002**

(54) **CORD FASTENER**

(75) Inventor: **Manabu Yoshiguchi**, Yokohama (JP)

(73) Assignee: **Nifco Inc.**, Yokohama (JP)

(**) Term: **14 Years**

(21) Appl. No.: **29/139,557**

(22) Filed: **Apr. 3, 2001**

(30) **Foreign Application Priority Data**

Oct. 12, 2000 (JP) 2000-028760
Oct. 12, 2000 (JP) 2000-028761

(51) **LOC (7) Cl.** **08-08**

(52) **U.S. Cl.** **D8/383; D8/395; D8/396**

(58) **Field of Search** **D8/383, 394-6;**
D2/978; 24/115 R, 115 G, 136 R, 136 L;
2/195.1

(56) **References Cited**

U.S. PATENT DOCUMENTS

- 4,288,891 A * 9/1981 Boden
- 4,807,333 A * 2/1989 Boden
- D343,570 S * 1/1994 Meier
- 5,365,641 A * 11/1994 Watanabe et al.
- D373,076 S * 8/1996 Ikeda
- 5,611,118 A * 3/1997 Bibbee
- 5,671,505 A * 9/1997 Anscher

D417,388 S * 12/1999 Kawahara

D439,148 S * 3/2001 Ishii

D439,507 S * 3/2001 Ikeda

* cited by examiner

Primary Examiner—B. J. Bullock

(74) *Attorney, Agent, or Firm*—Kanesaka & Takeuchi

(57) **CLAIM**

The ornamental design for a cord fastener, as shown and described.

DESCRIPTION

FIG. 1 is a front view of a cord fastener showing my new design;

FIG. 2 is a rear view thereof;

FIG. 3 is a left side view taken along line 3—3 in FIG. 2, the right side view being identical to the left side view;

FIG. 4 is a top plan view thereof;

FIG. 5 is a bottom plan view thereof;

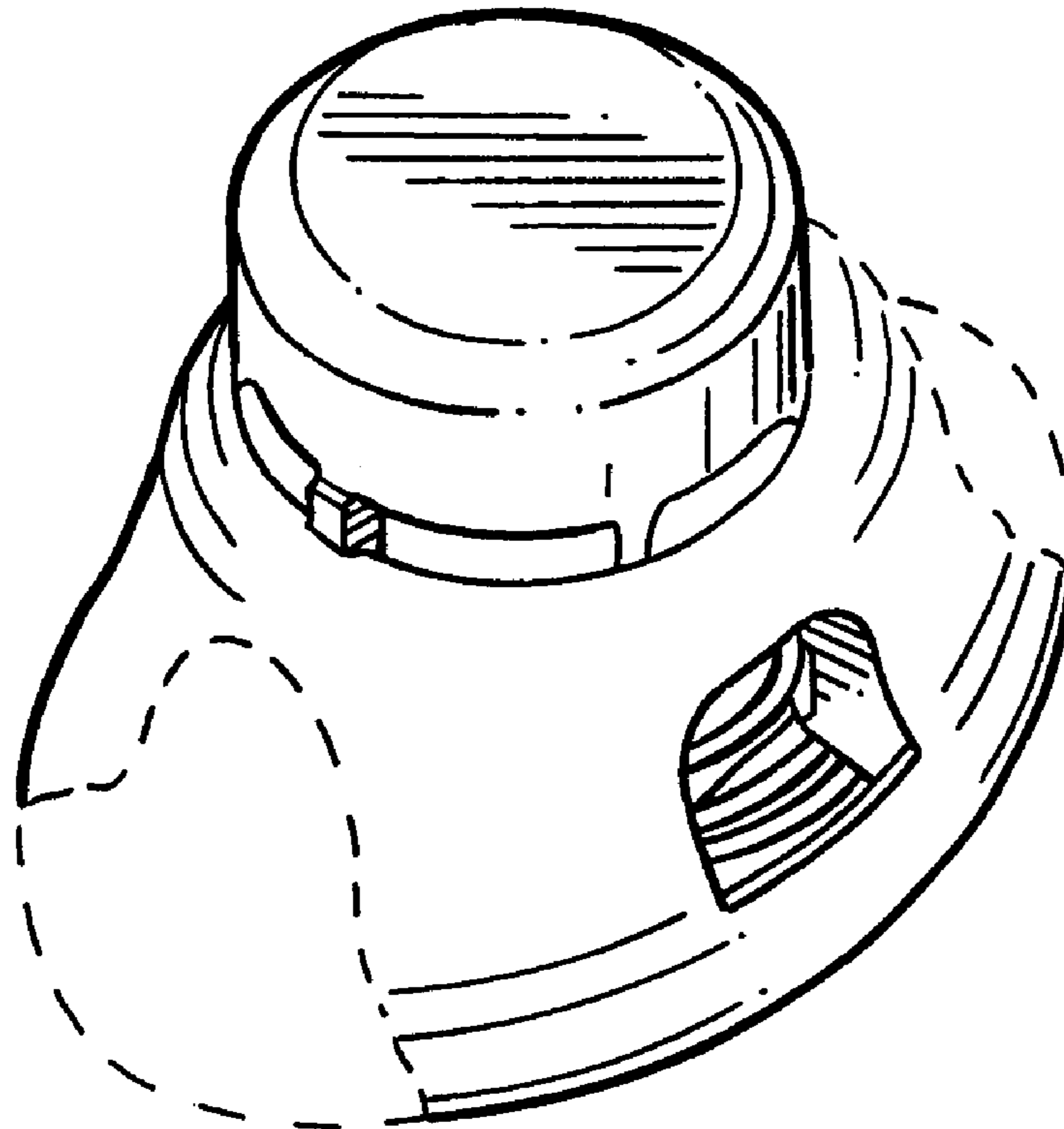
FIG. 6 is a cross sectional view taken along line 6—6 in FIG. 1;

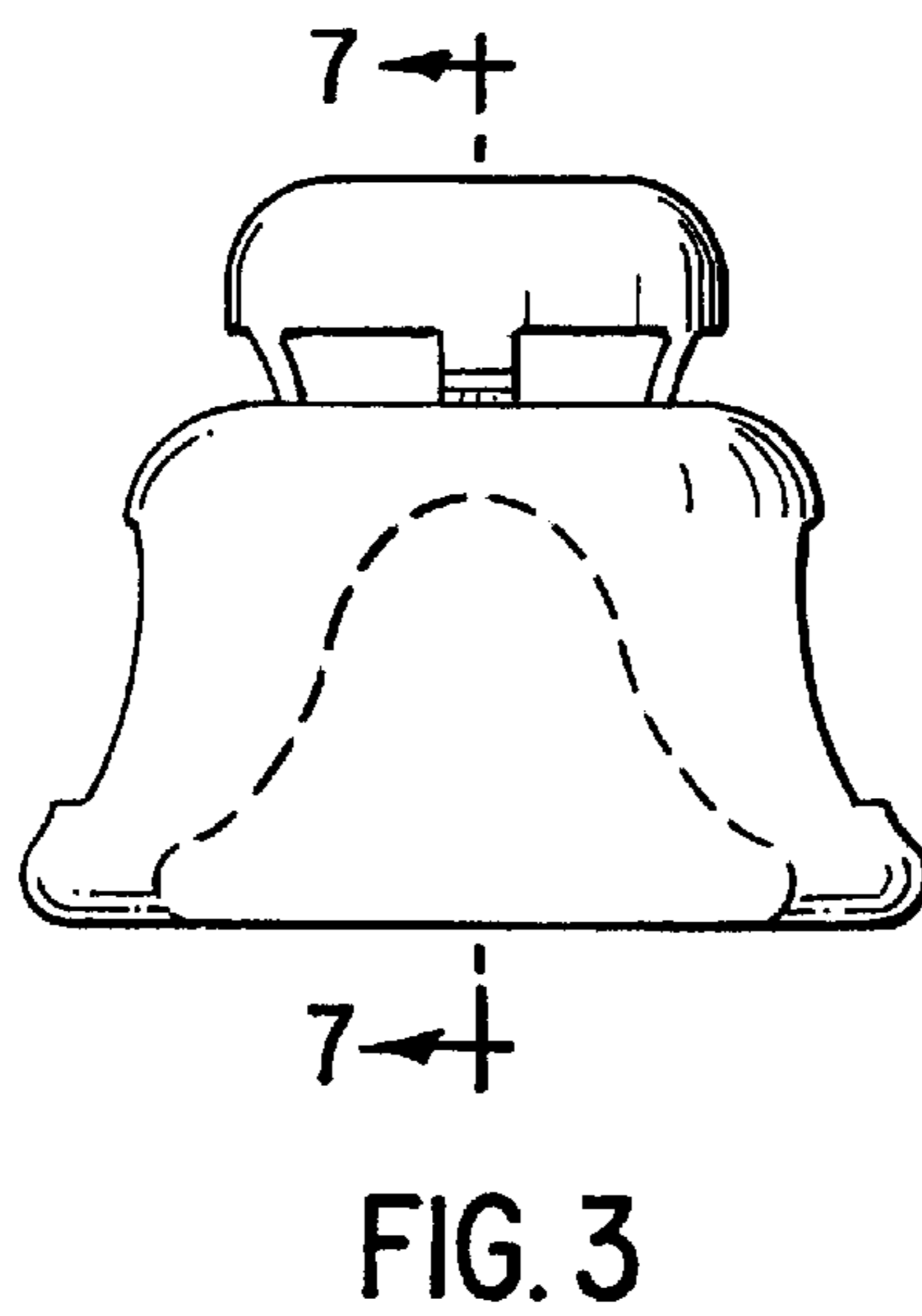
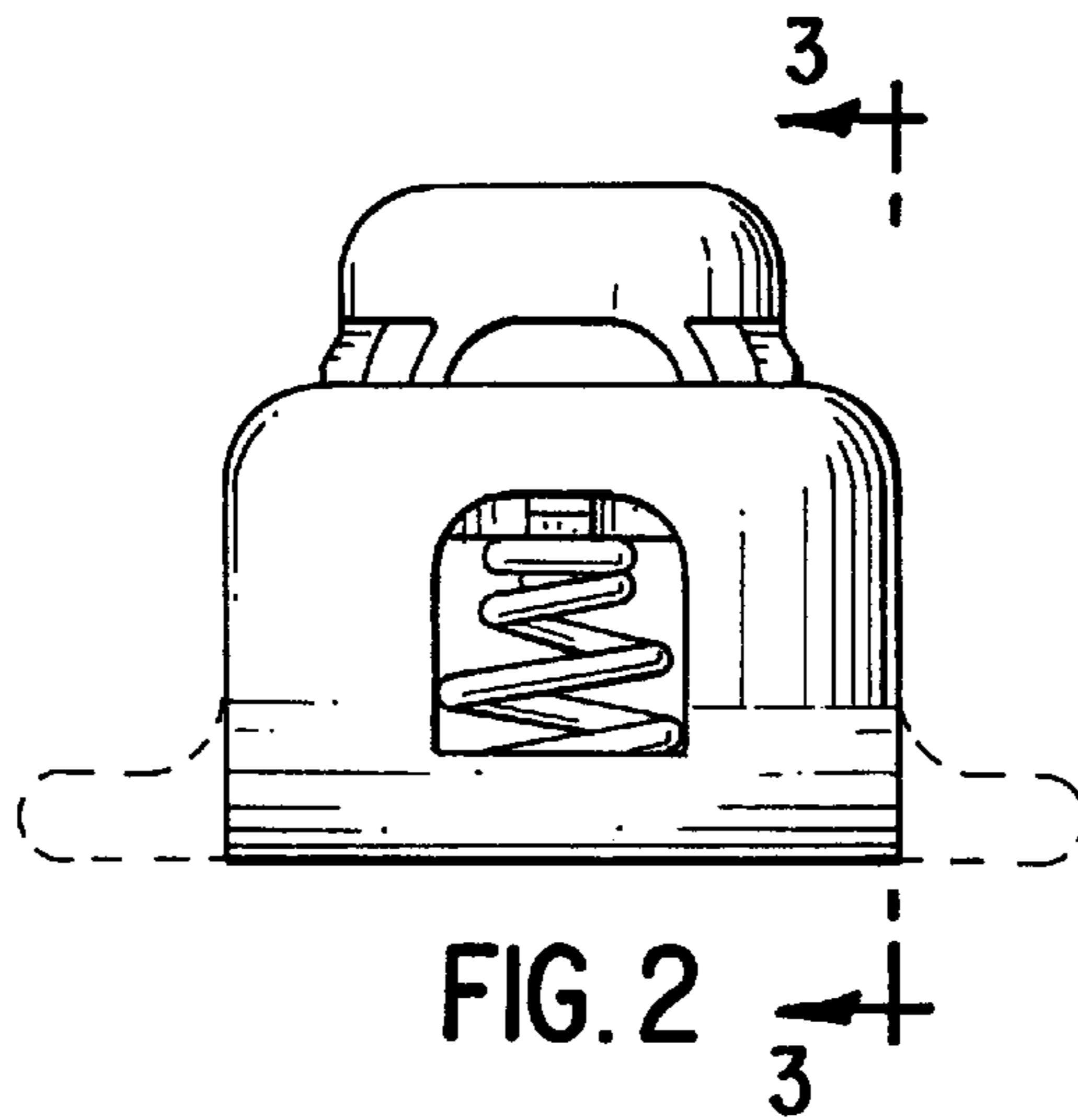
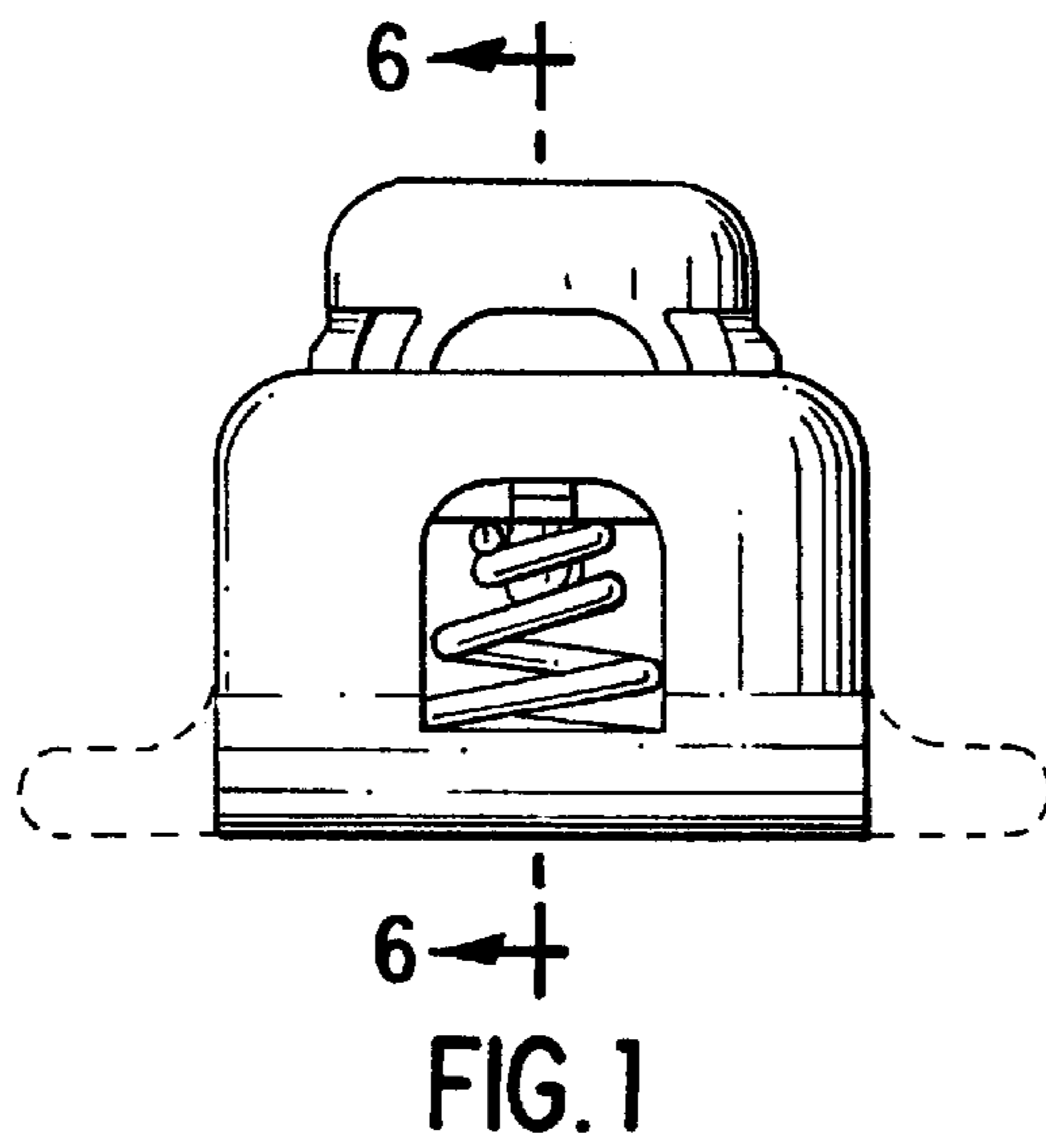
FIG. 7 is a cross sectional view taken along line 7—7 in FIG. 3; and,

FIG. 8 is a perspective view thereof.

The broken lines are for illustrative purposes only and form no part of the claimed design.

1 Claim, 3 Drawing Sheets





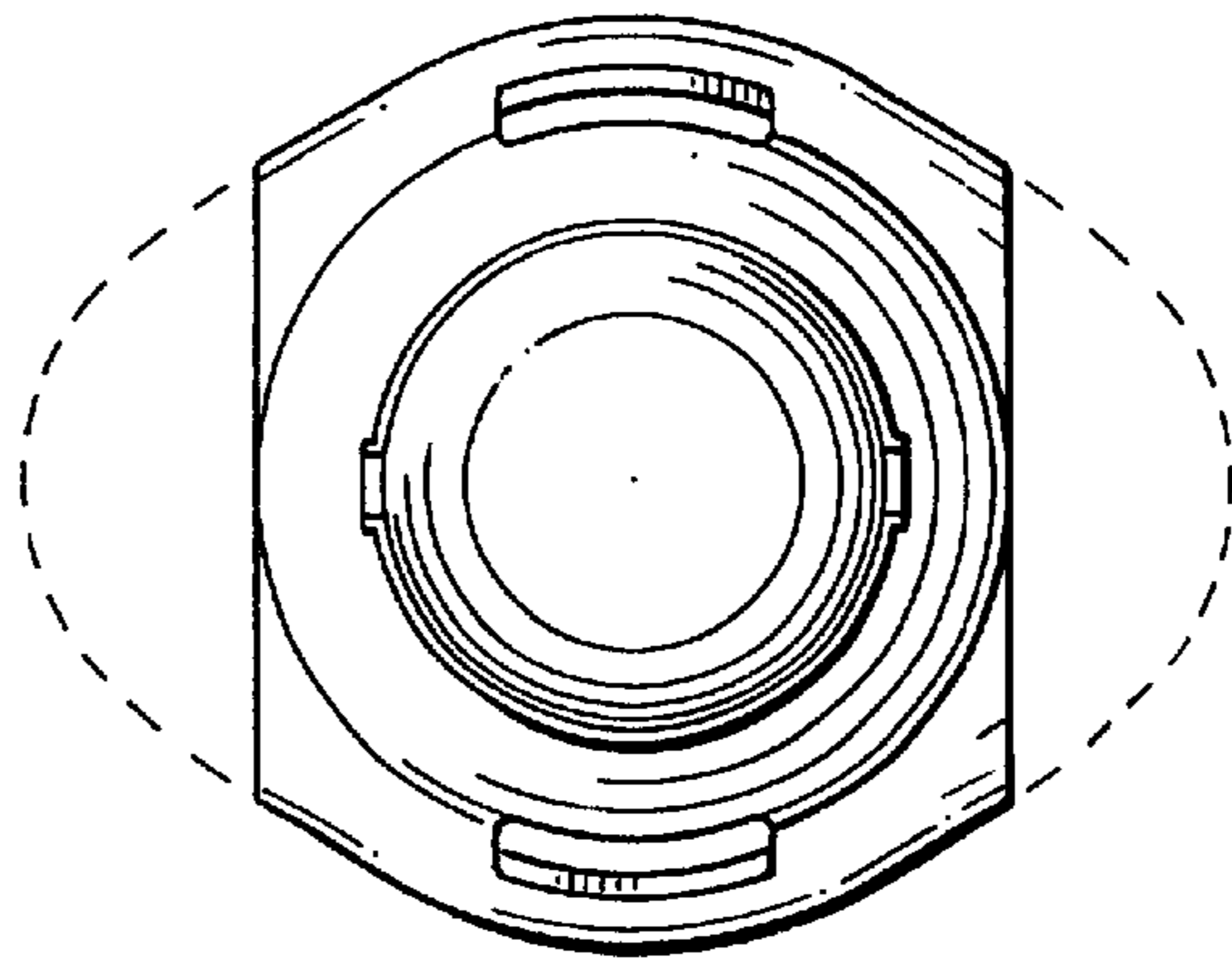


FIG. 4

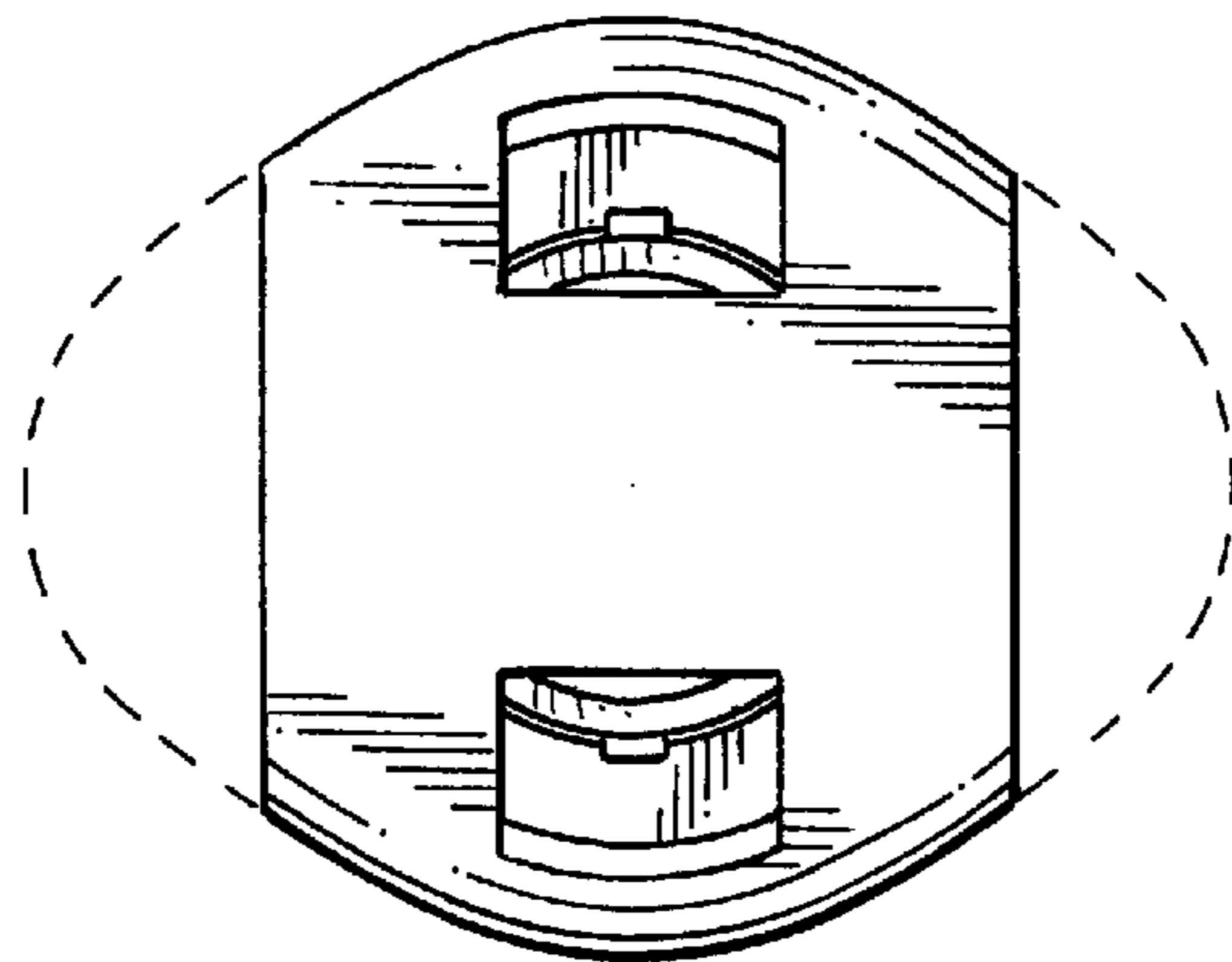


FIG. 5

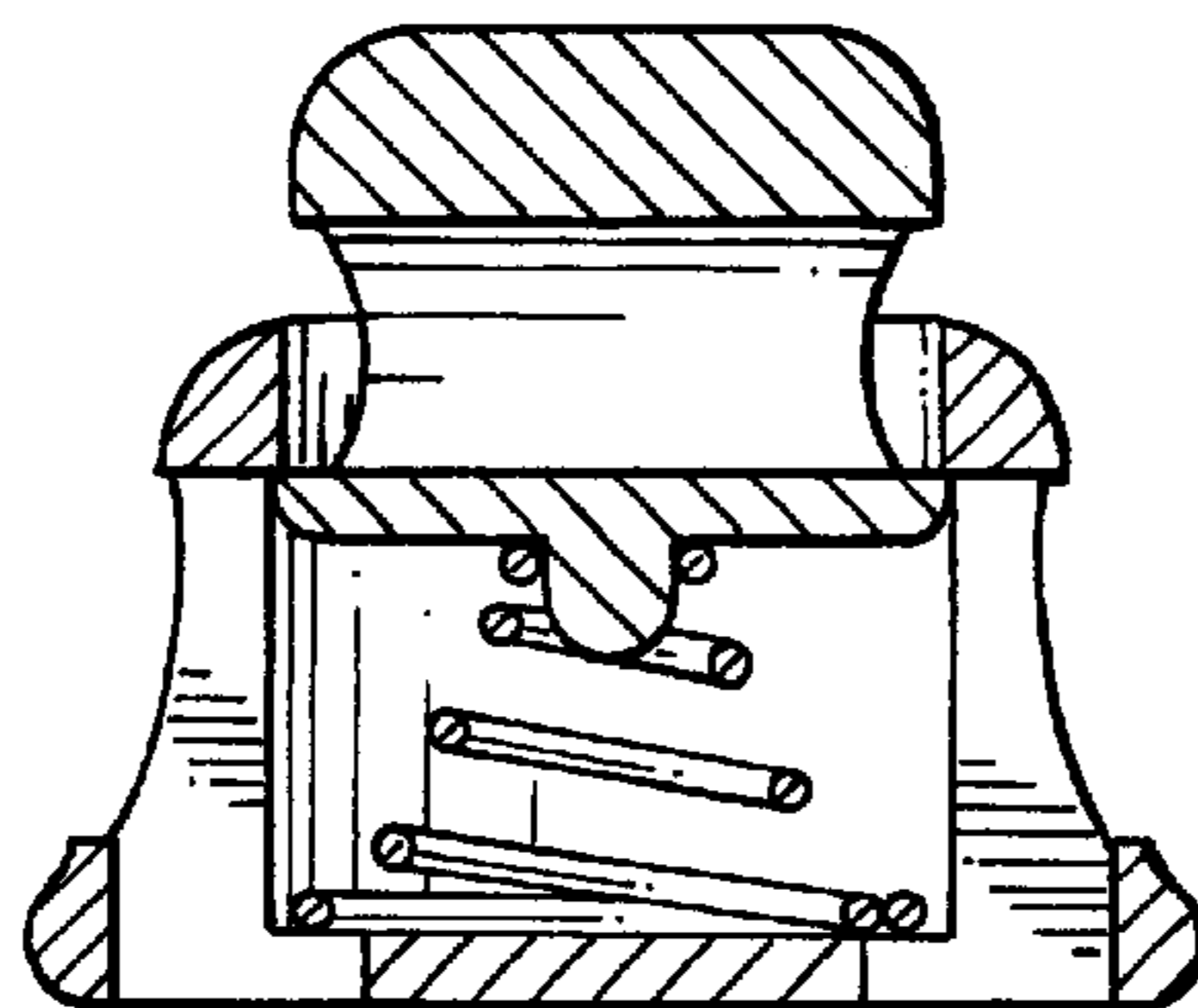


FIG. 6

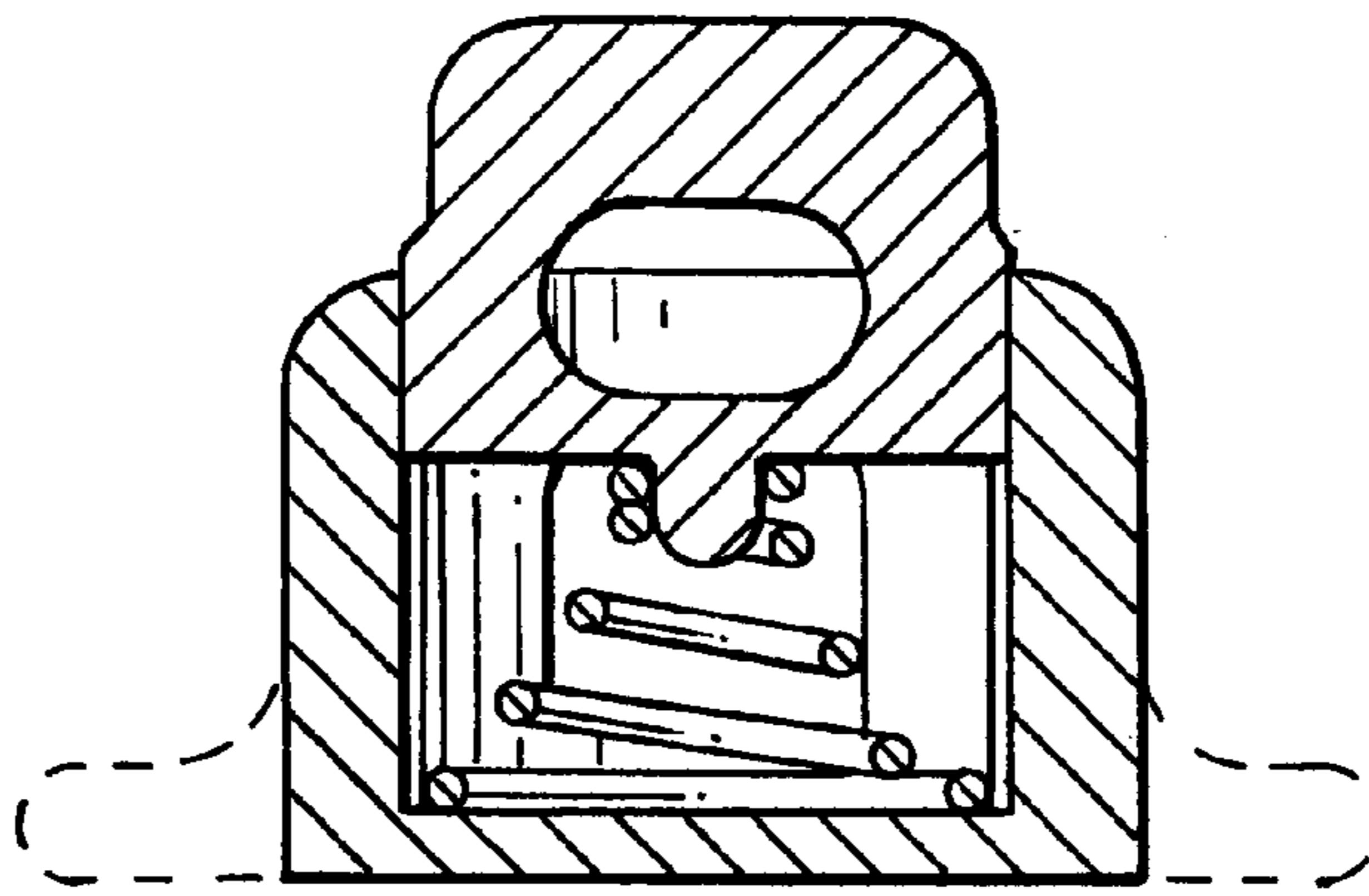


FIG. 7

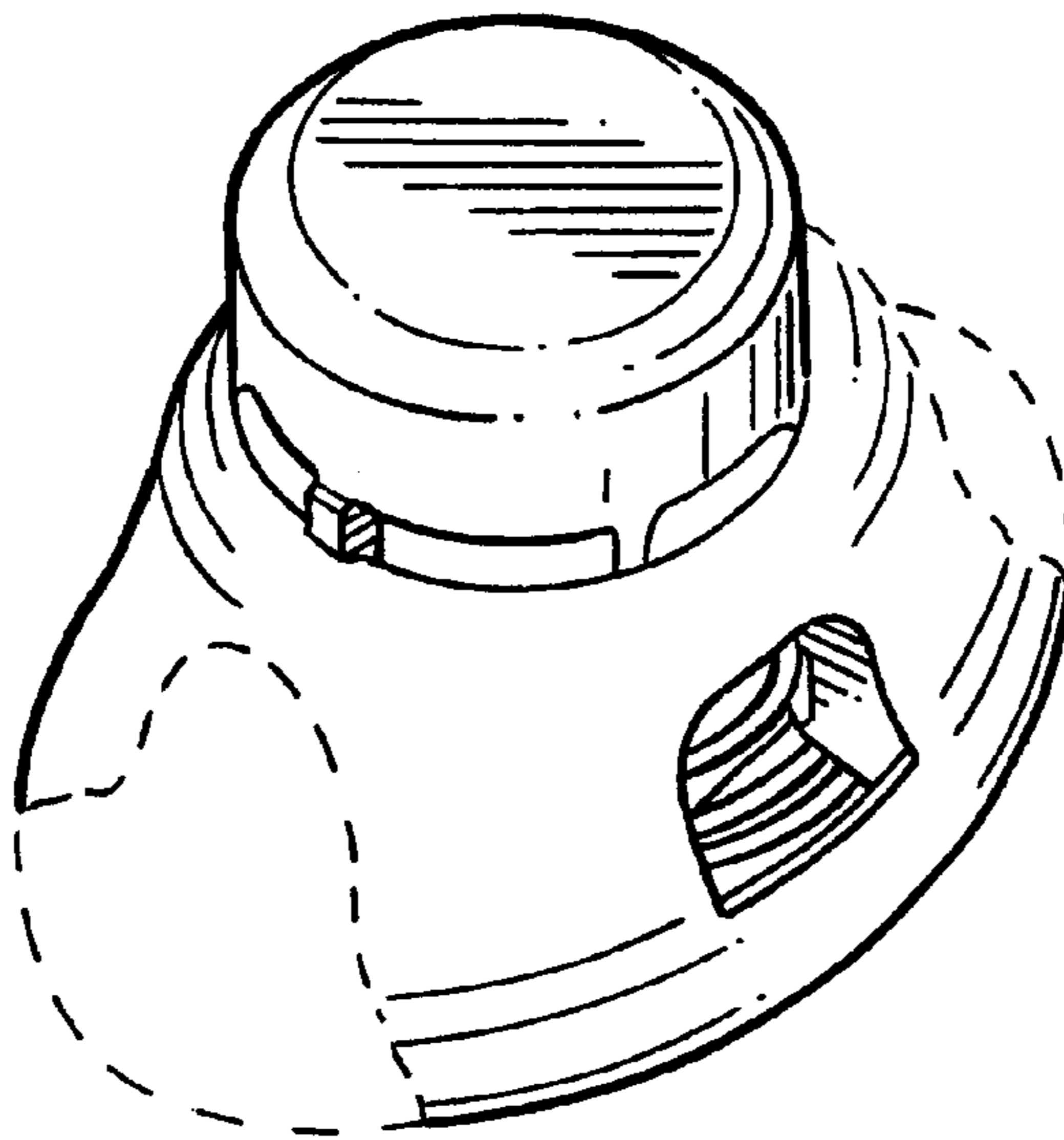


FIG. 8