



US00D454767S

(12) **United States Design Patent**
Edwards

(10) **Patent No.:** **US D454,767 S**

(45) **Date of Patent:** **** Mar. 26, 2002**

(54) **SCREWDRIVER**

(75) Inventor: **Christopher Edwards**, Wappingers Falls, NY (US)

(73) Assignee: **General Tools Mfg., Co., LLC**, New York, NY (US)

(**) Term: **14 Years**

(21) Appl. No.: **29/134,658**

(22) Filed: **Dec. 27, 2000**

(51) **LOC (7) Cl.** **08-04**

(52) **U.S. Cl.** **D8/83**

(58) **Field of Search** D3/82, 83, 84,
D3/85, 86, 87, 107; 81/177.1, 436, 437,
438, 439, 440, 489

(56) **References Cited**

U.S. PATENT DOCUMENTS

D334,128 S	*	3/1993	Gomas	D8/83
D335,074 S	*	4/1993	Hahn	D8/83
D338,385 S	*	8/1993	Shu	D8/83
D347,373 S	*	5/1994	Tsai	D8/83
D376,528 S	*	12/1996	Krapowicz	D8/82
D379,750 S	*	6/1997	Thompson	D8/83
D393,582 S	*	4/1998	Antenbrink et al.	D8/82
D401,831 S	*	12/1998	Moody	D8/83

D413,782 S	*	9/1999	Krapowicz	D8/83
D432,382 S	*	10/2000	Hsu	D8/82
D440,479 S	*	4/2001	Hsiao	D8/83

* cited by examiner

Primary Examiner—Philip S. Hyder
(74) *Attorney, Agent, or Firm*—Ladas & Parry

(57) **CLAIM**

The ornamental design for a screwdriver, as shown and described.

DESCRIPTION

FIG. 1 is a front elevational view of a screwdriver showing my new design, the rear elevational view thereof being a mirror image, and therefore not shown; and the blade portion being shown in broken lines and therefore disclaimed; FIG. 2 is a top view of the screwdriver of FIG. 1, the bottom view thereof being a mirror image, and therefore not shown; FIG. 3 is a right end view of the screwdriver of FIG. 1; FIG. 4 is a left end view of the screwdriver of FIG. 1; FIG. 5 is a front/top/right end perspective view of the screwdriver of FIG. 1; and, FIG. 6 is a rear/bottom/left end perspective view of the screwdriver of FIG. 1.

The broken line portions of the disclosure are for illustrative purposes only and form no part of the claimed design.

1 Claim, 2 Drawing Sheets

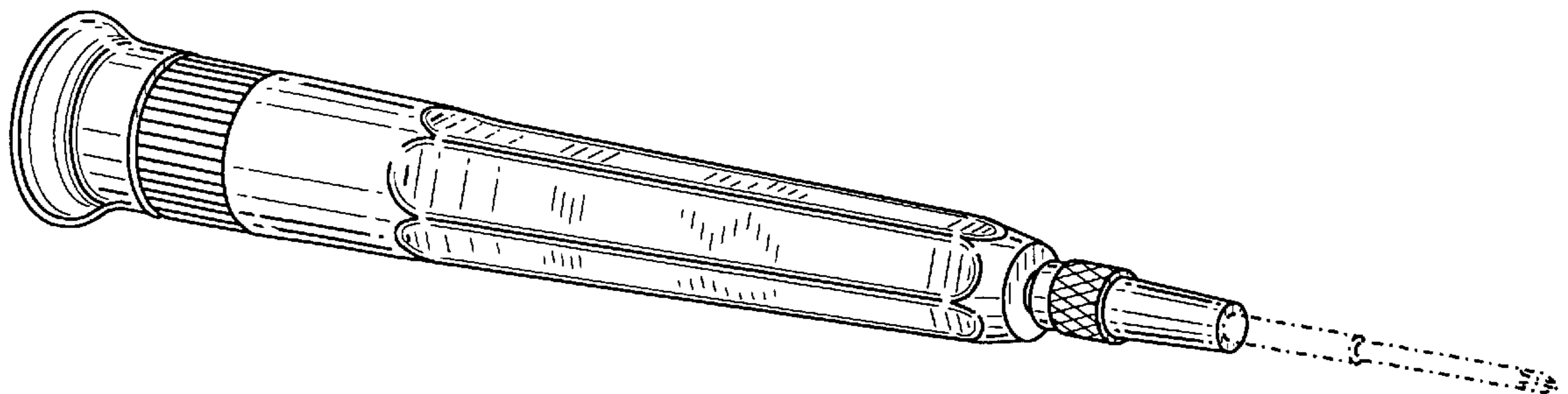




FIG. 4

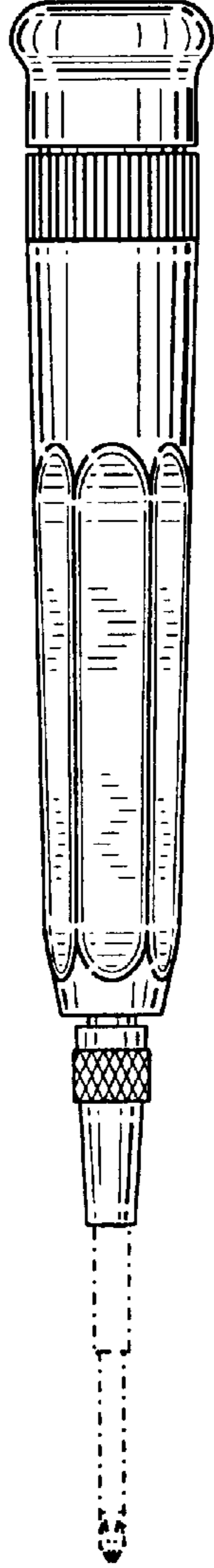


FIG. 1



FIG. 3

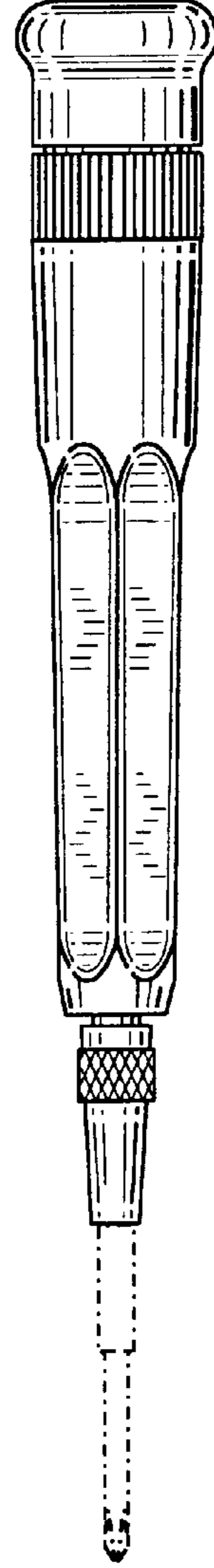


FIG. 2

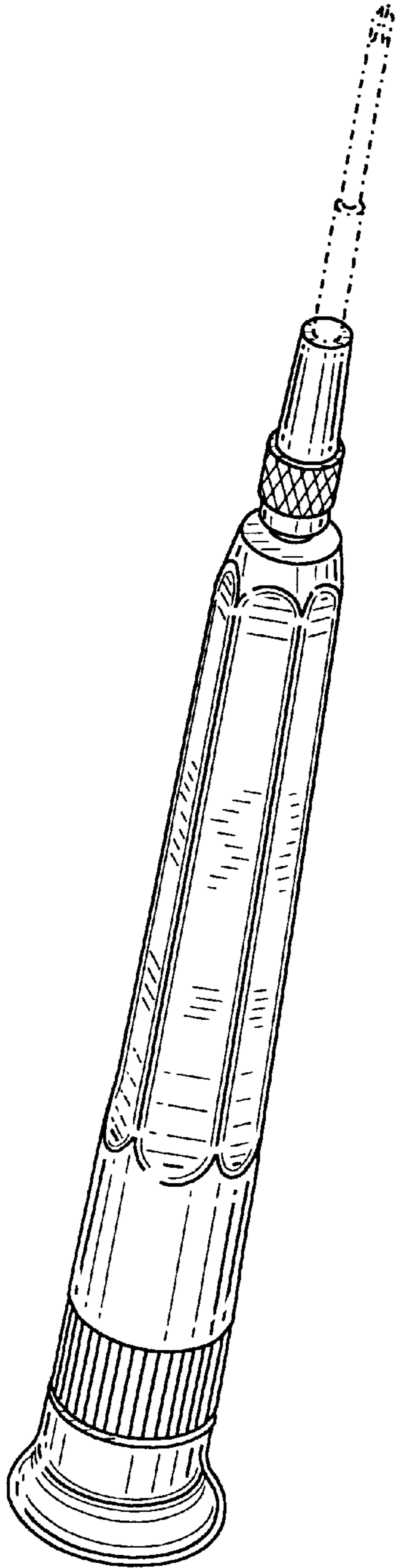


FIG. 5

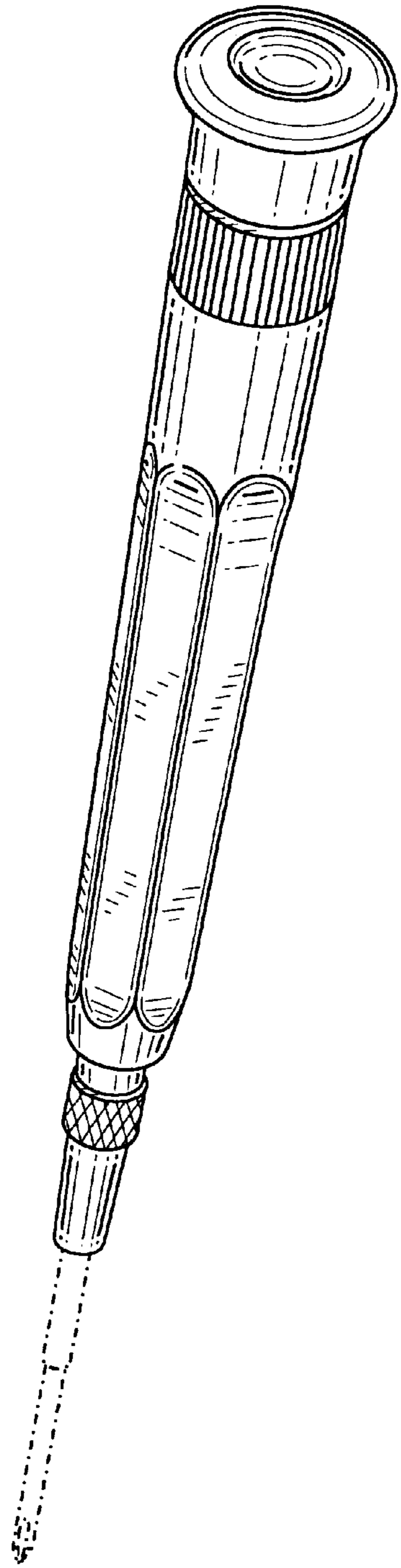


FIG. 6