



US00D454766S

(12) **United States Design Patent**
Lin

(10) **Patent No.:** **US D454,766 S**

(45) **Date of Patent:** **** Mar. 26, 2002**

(54) **HAND TOOL**

(76) **Inventor:** **Fu-Hui Lin**, 11F-2, No. 43, Chai-I Street, Taichung City (TW)

(**) **Term:** **14 Years**

(21) **Appl. No.:** **29/139,911**

(22) **Filed:** **Apr. 9, 2001**

(51) **LOC (7) Cl.** **08-04**

(52) **U.S. Cl.** **D8/82; D8/107**

(58) **Field of Search** **D8/24, 25, 107, D8/82, 83, 87, 303, 312; 81/436-440, 177.1, 489; 16/110.1, 421, 422, 426, 430, 431**

(56) **References Cited**

U.S. PATENT DOCUMENTS

1,559,097	A	*	10/1925	Hill	81/437
D142,982	S	*	11/1945	Bloomfield	81/177.1 X
4,196,761	A	*	4/1980	Royer	81/177.1
D296,751	S	*	7/1988	Levy	D8/24
D431,989	S	*	10/2000	Lai	D8/83

* cited by examiner

Primary Examiner—Joel Sincavage

Assistant Examiner—Clare E. Heflin

(74) *Attorney, Agent, or Firm*—Charles E. Baxley

(57) **CLAIM**

The ornamental design for a hand tool, as shown and described.

DESCRIPTION

FIG. 1 is a front-right-top perspective view of a hand tool, showing my new design;

FIG. 2 is another front-right-top perspective view of a hand tool showing my new design with a portion of the handle in the extended position;

FIG. 3 is a front elevational view thereof; (the rear side being a mirror image thereof)

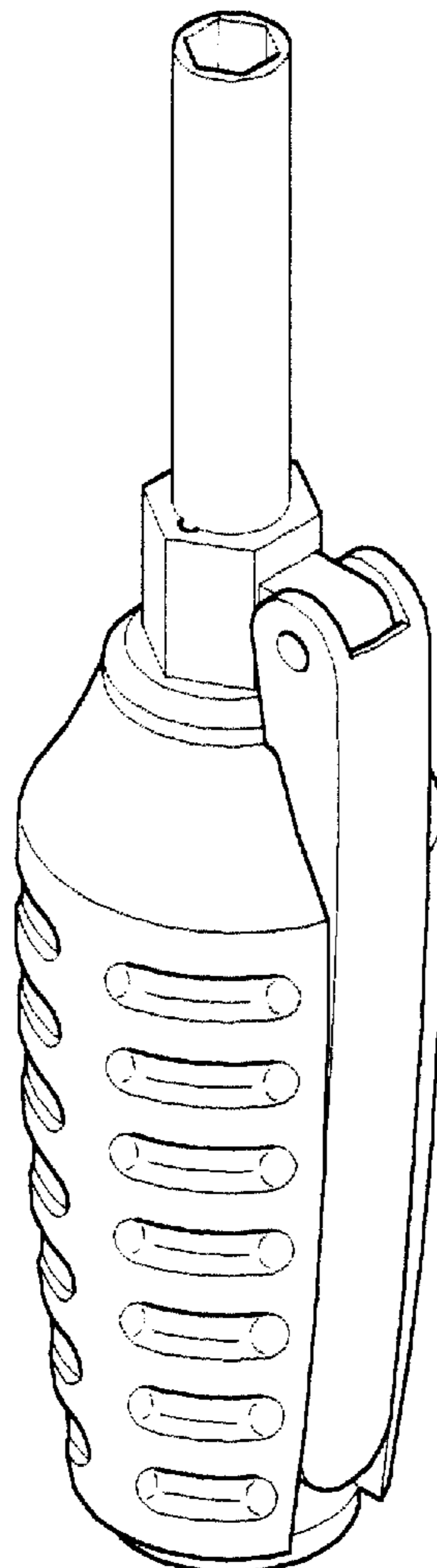
FIG. 4 is a right elevational view thereof;

FIG. 5 is a left elevational view thereof;

FIG. 6 is a top plan view thereof; and,

FIG. 7 is a bottom plan view thereof.

1 Claim, 2 Drawing Sheets



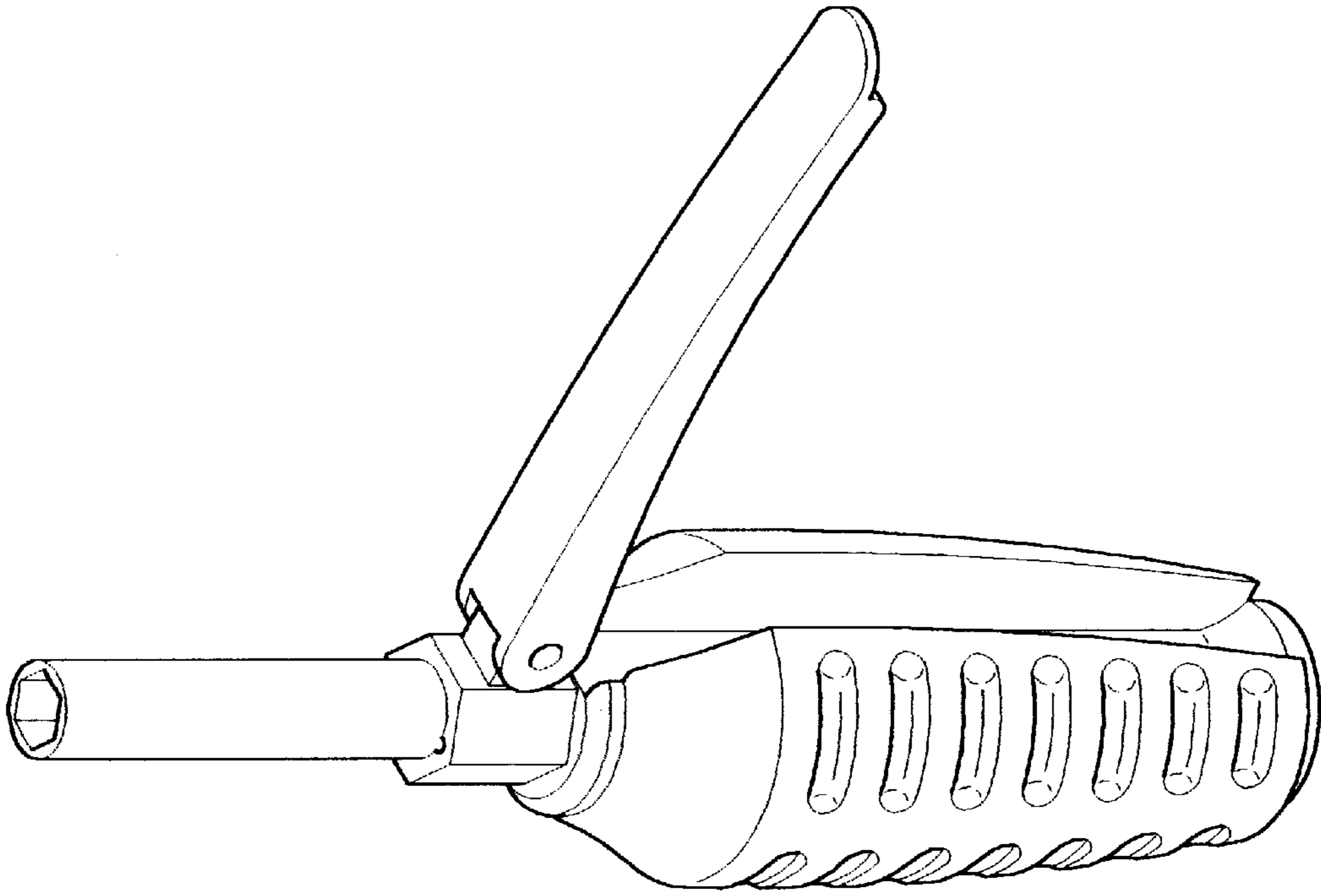


FIG. 2

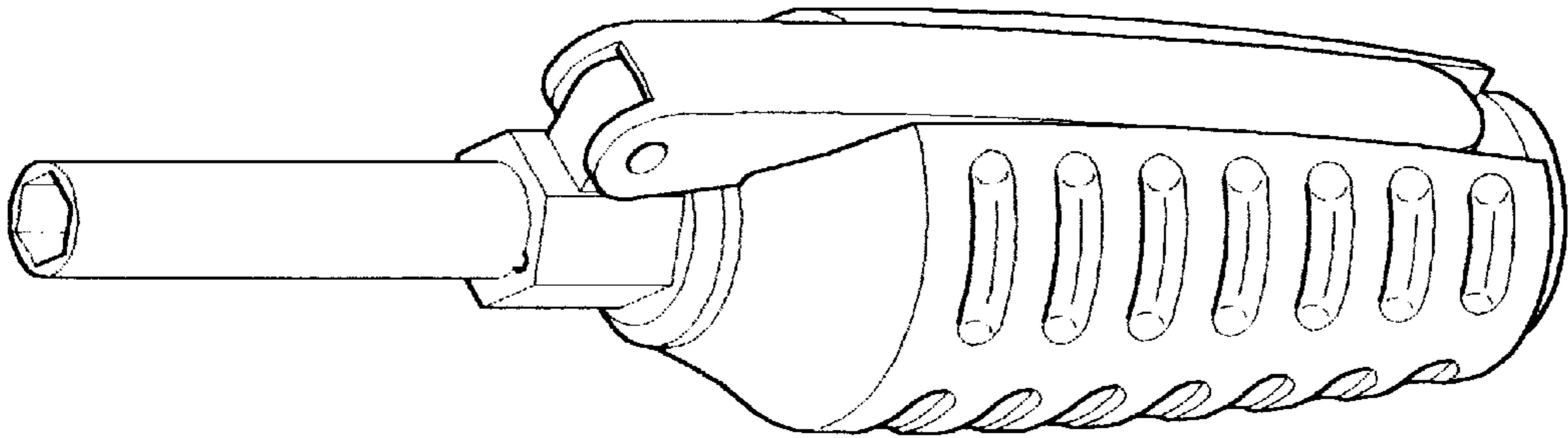


FIG. 1

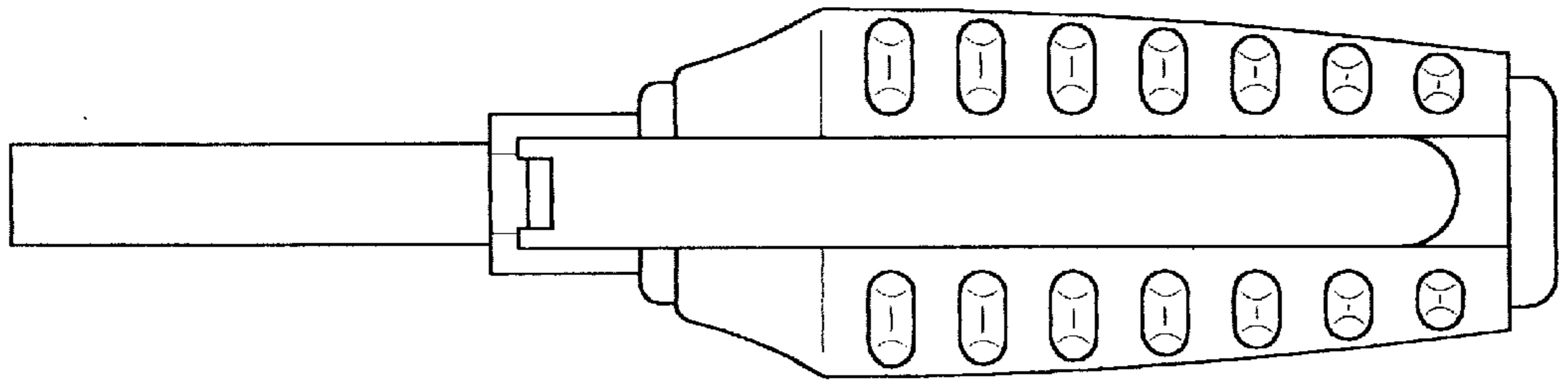


FIG. 4

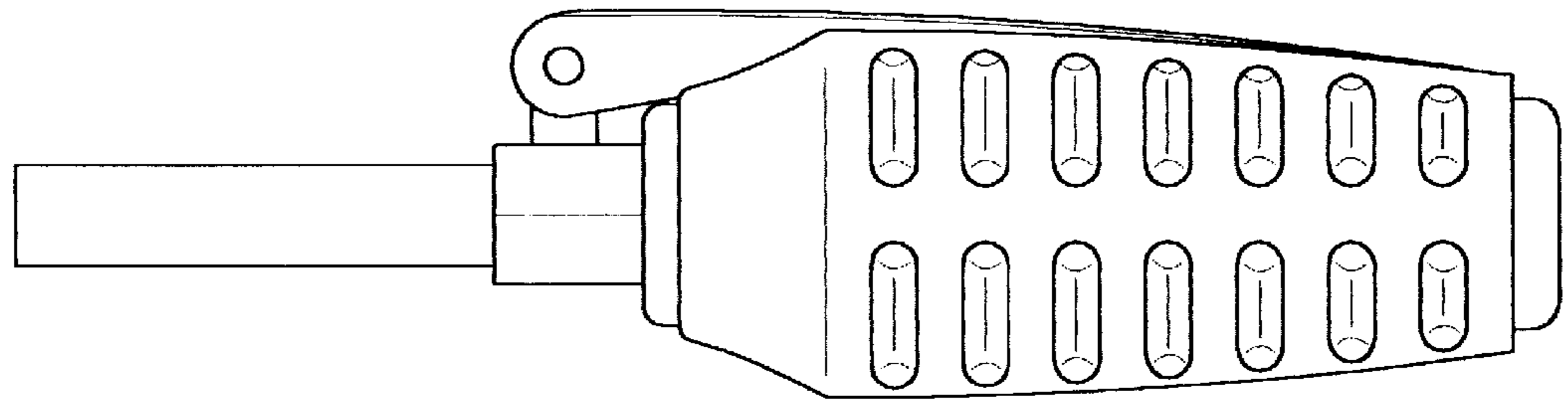


FIG. 3

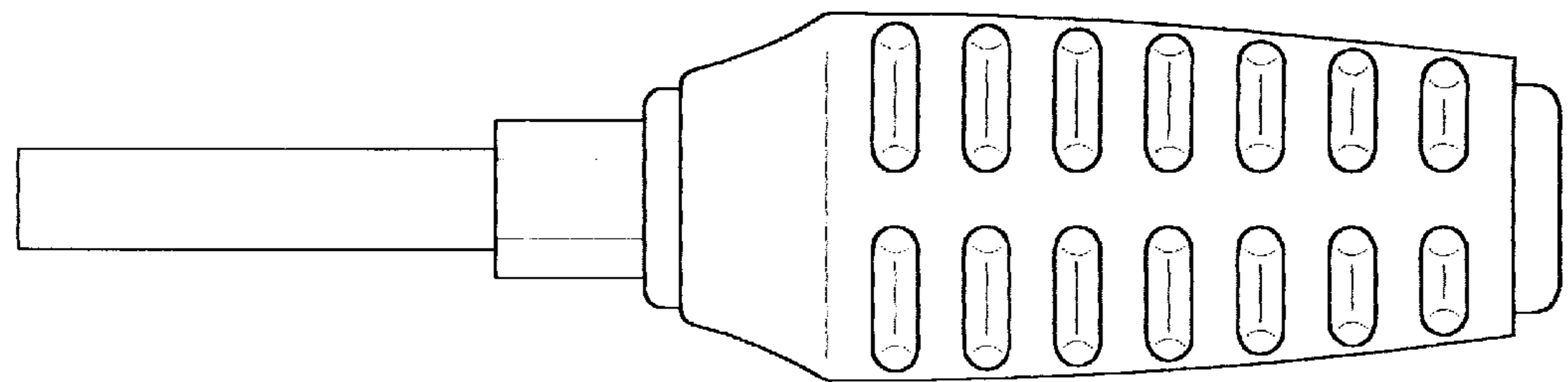


FIG. 5

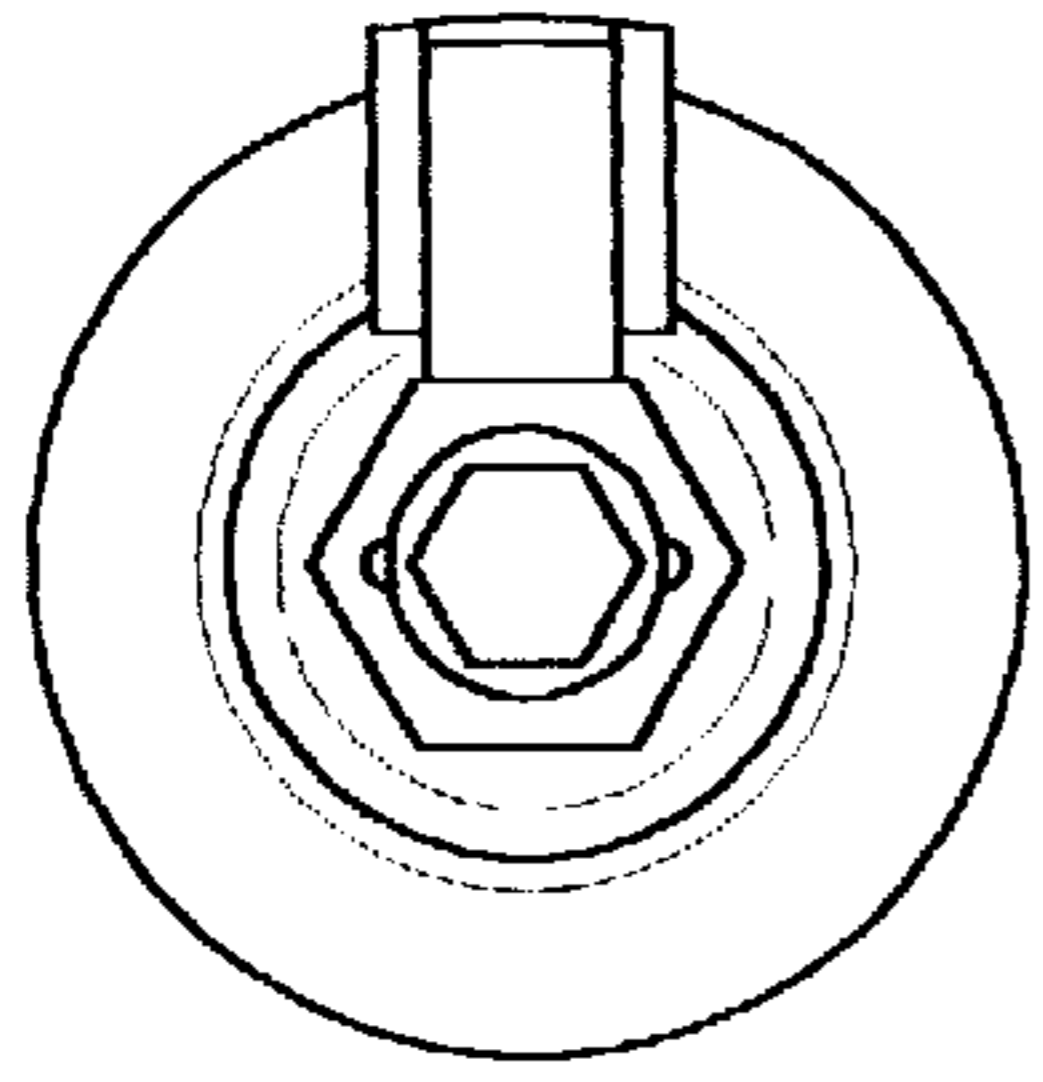


FIG. 6

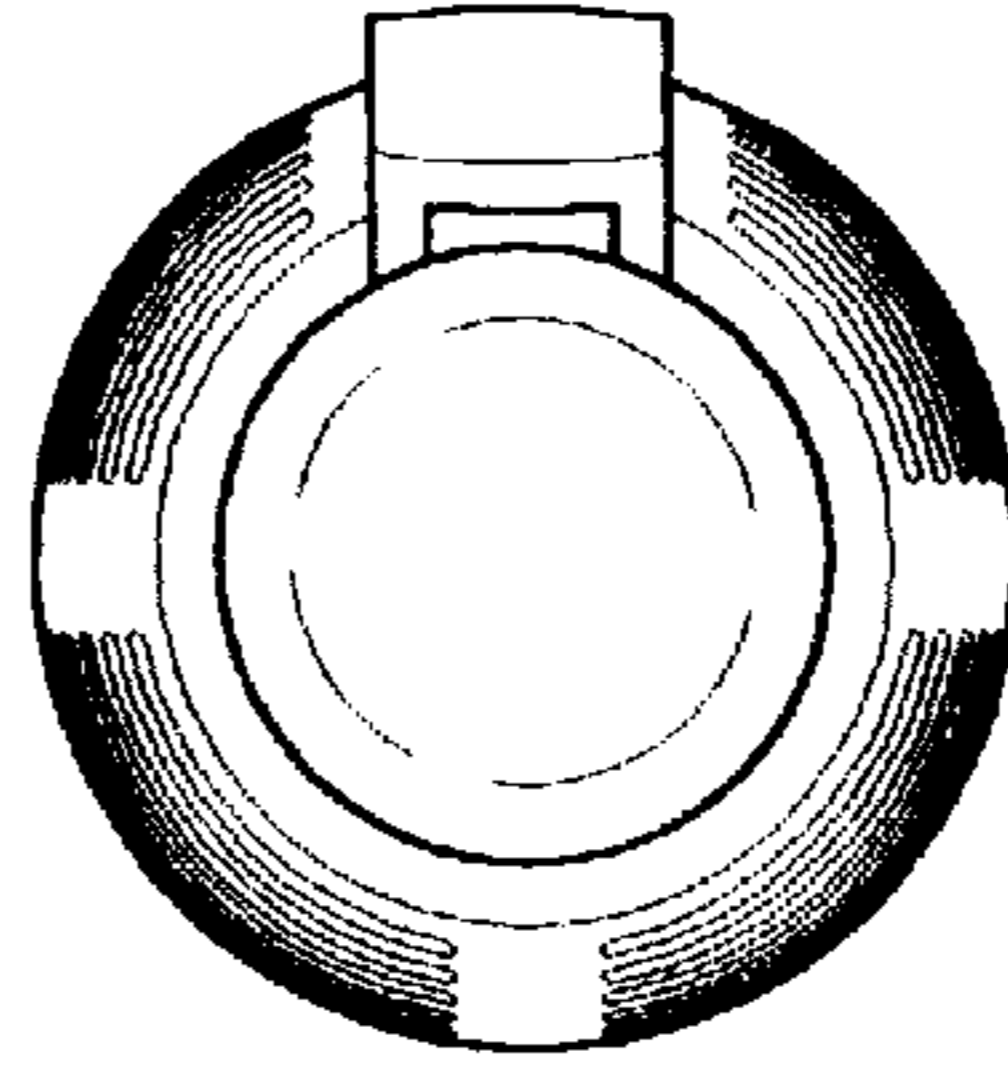


FIG. 7