



US00D454761S

(12) **United States Design Patent**
Richmond

(10) **Patent No.:** **US D454,761 S**

(45) **Date of Patent:** **** Mar. 26, 2002**

(54) **SPOON**

D378,181 S * 2/1997 Richmond D7/653

(75) Inventor: **Colin B. Richmond**, Vernon Center,
NY (US)

* cited by examiner

Primary Examiner—Caron D. Veynar

(73) Assignee: **Oneida, Ltd.**, Oneida, NY (US)

(74) *Attorney, Agent, or Firm*—Wall, Marjama & Bilinski,
LLP

(**) Term: **14 Years**

(57) **CLAIM**

(21) Appl. No.: **29/141,429**

The ornamental design for a spoon, as shown and described.

(22) Filed: **May 4, 2001**

DESCRIPTION

(51) **LOC (7) Cl.** **07-03**

(52) **U.S. Cl.** **D7/653**

(58) **Field of Search** D7/642, 645, 653,
D7/662-664, 401.2; 30/322, 324

FIG. 1 is a top view of a spoon showing my new Design;
FIG. 2 is a left side elevational view thereof; the right side
view being a mirror image thereof;
FIG. 3 is a bottom plan view thereof;
FIG. 4 is a cross-section view taken along line 4—4 of FIG.
1; and,
FIG. 5 is a cross section view taken along line 5—5 of FIG.
1.

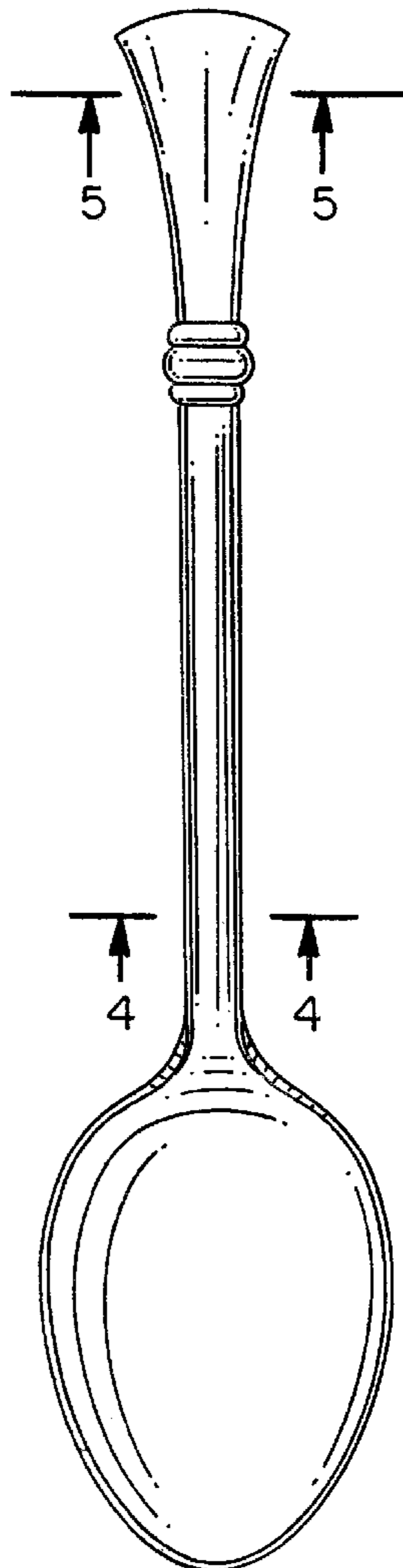
(56) **References Cited**

U.S. PATENT DOCUMENTS

D291,170 S * 8/1987 Manderfield D7/654

D334,115 S * 3/1993 Richmond D7/660

1 Claim, 1 Drawing Sheet



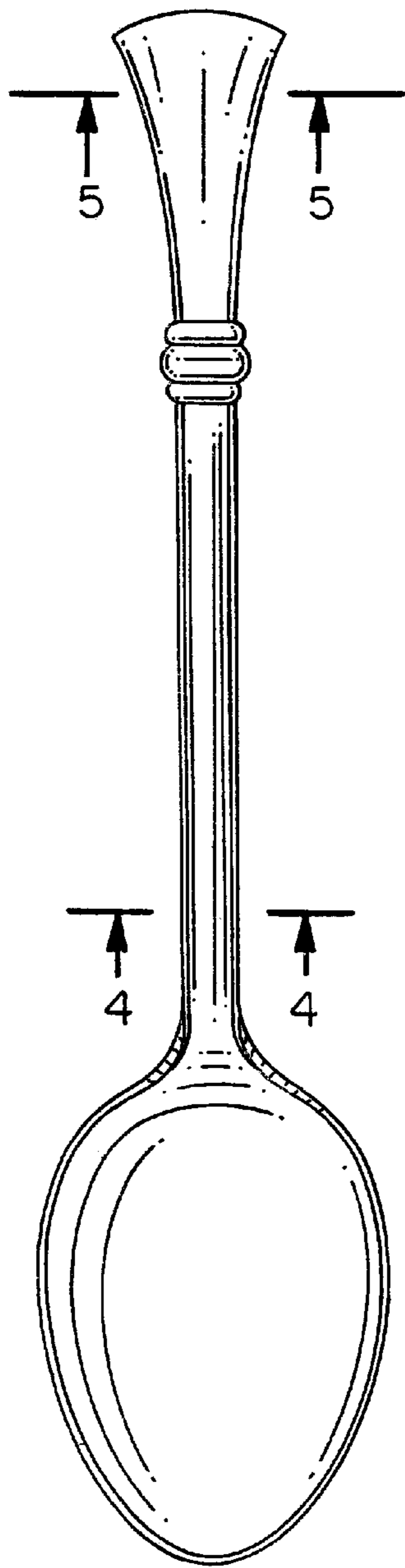


FIG. 1

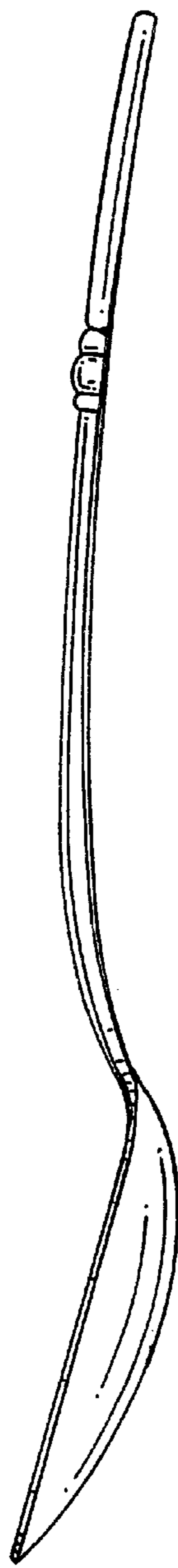


FIG. 2

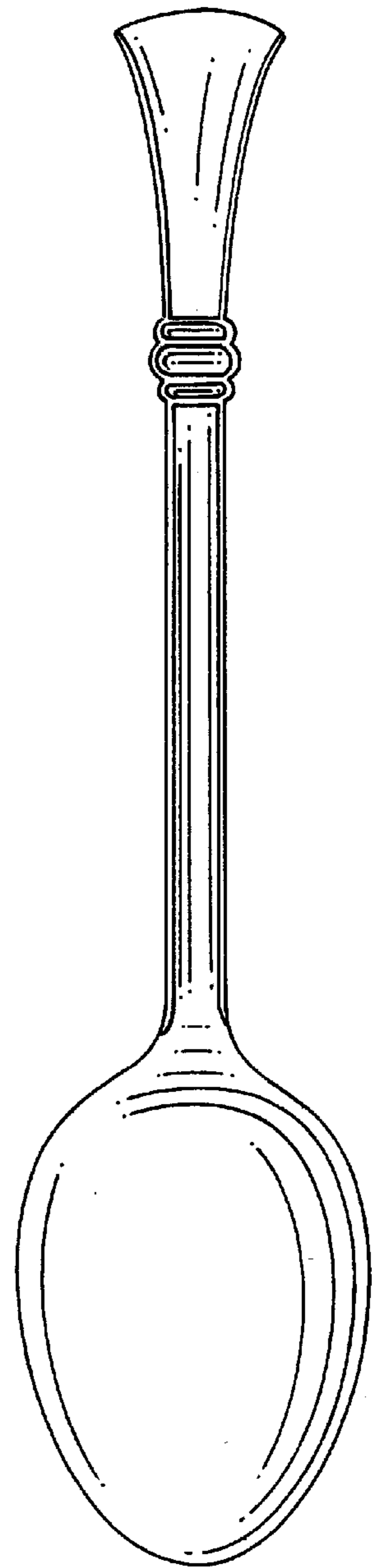


FIG. 3



FIG. 4



FIG. 5