



US00D454759S

(12) **United States Design Patent**
Talluto

(10) **Patent No.:** **US D454,759 S**

(45) **Date of Patent:** **** Mar. 26, 2002**

(54) **COMBINED WINE BOTTLES HOLDER AND CHILLER**

D349,848 S * 8/1994 Gaultier D9/314

* cited by examiner

(76) **Inventor:** **Robert Talluto**, 21166 Chestnut,
Mission Viejo, CA (US) 92691

Primary Examiner—Terry A. Wallace

(74) *Attorney, Agent, or Firm*—Goldstein Law Offices

(**) **Term:** **14 Years**

(57) **CLAIM**

(21) **Appl. No.:** **29/138,399**

The ornamental design for a combined wine bottles holder and chiller, as shown and described.

(22) **Filed:** **Mar. 12, 2001**

DESCRIPTION

(51) **LOC (7) Cl.** **07-01**

FIG. 1 is a perspective view of a wine bottles holder and chiller.

(52) **U.S. Cl.** **D7/604**

FIG. 2 is a front elevational view thereof.

(58) **Field of Search** D7/603, 604; 62/371,
62/457.1, 457.8; D11/160; D9/311, 314;
206/457

FIG. 3 is a rear elevational view thereof.

FIG. 4 is a right side elevational view thereof.

FIG. 5 is a left side elevational view thereof.

(56) **References Cited**

FIG. 6 is a top plan view of the wine bottles holder and chiller; and,

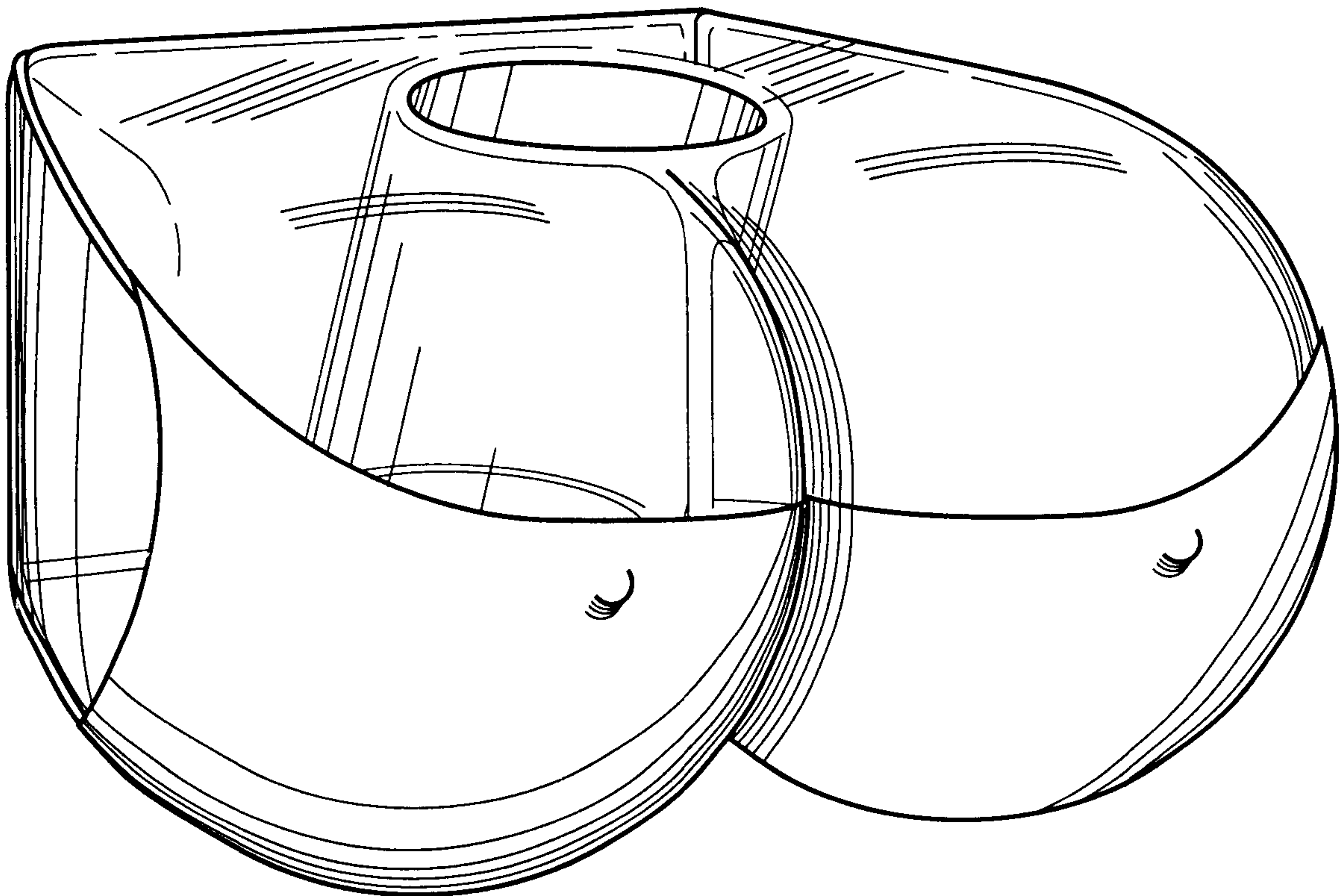
FIG. 7 is a bottom plan view thereof.

U.S. PATENT DOCUMENTS

D207,452 S * 4/1967 Stayman D7/603

D290,572 S * 6/1987 Verduyn D7/603

1 Claim, 4 Drawing Sheets



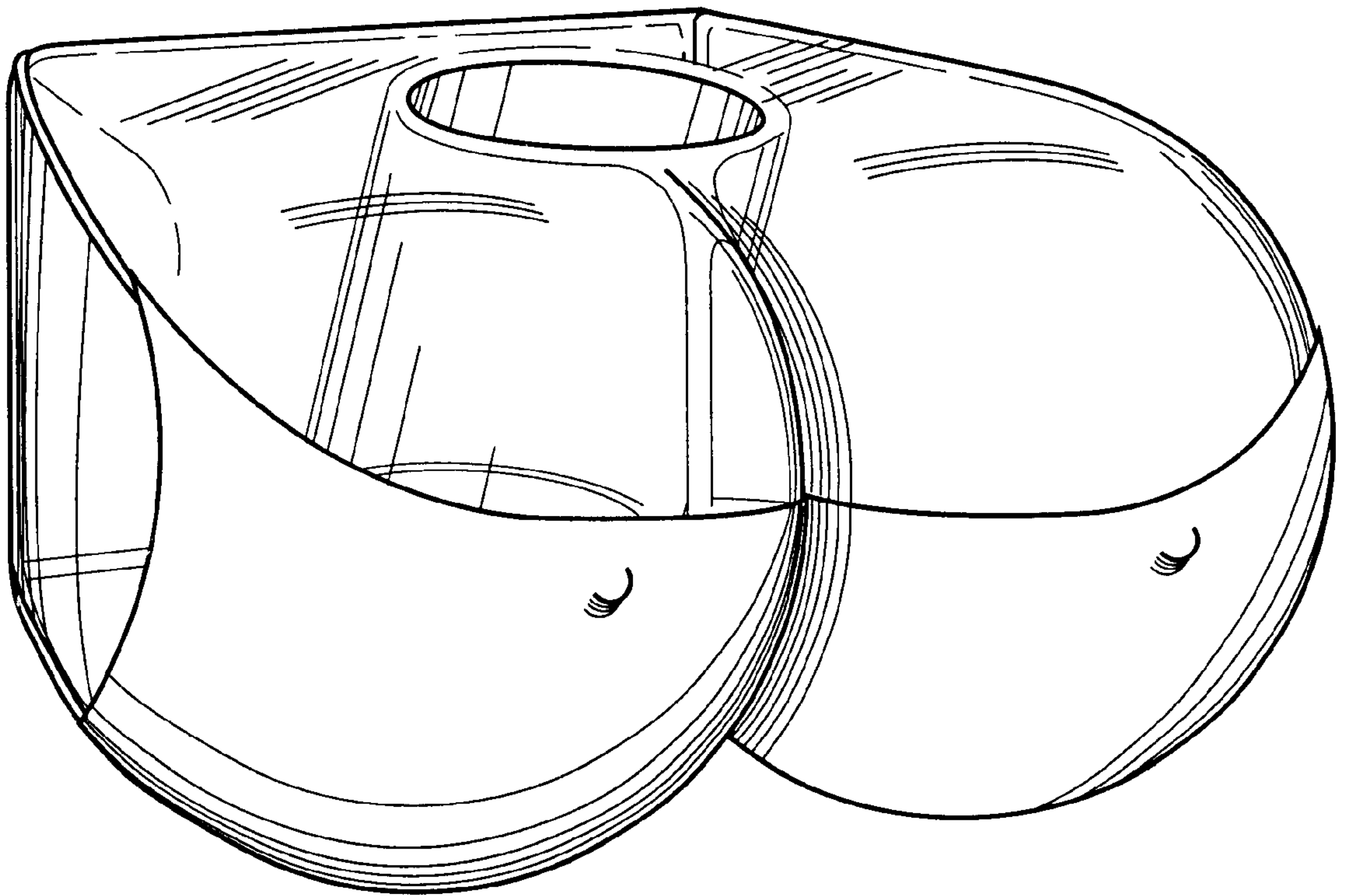


FIG. 1

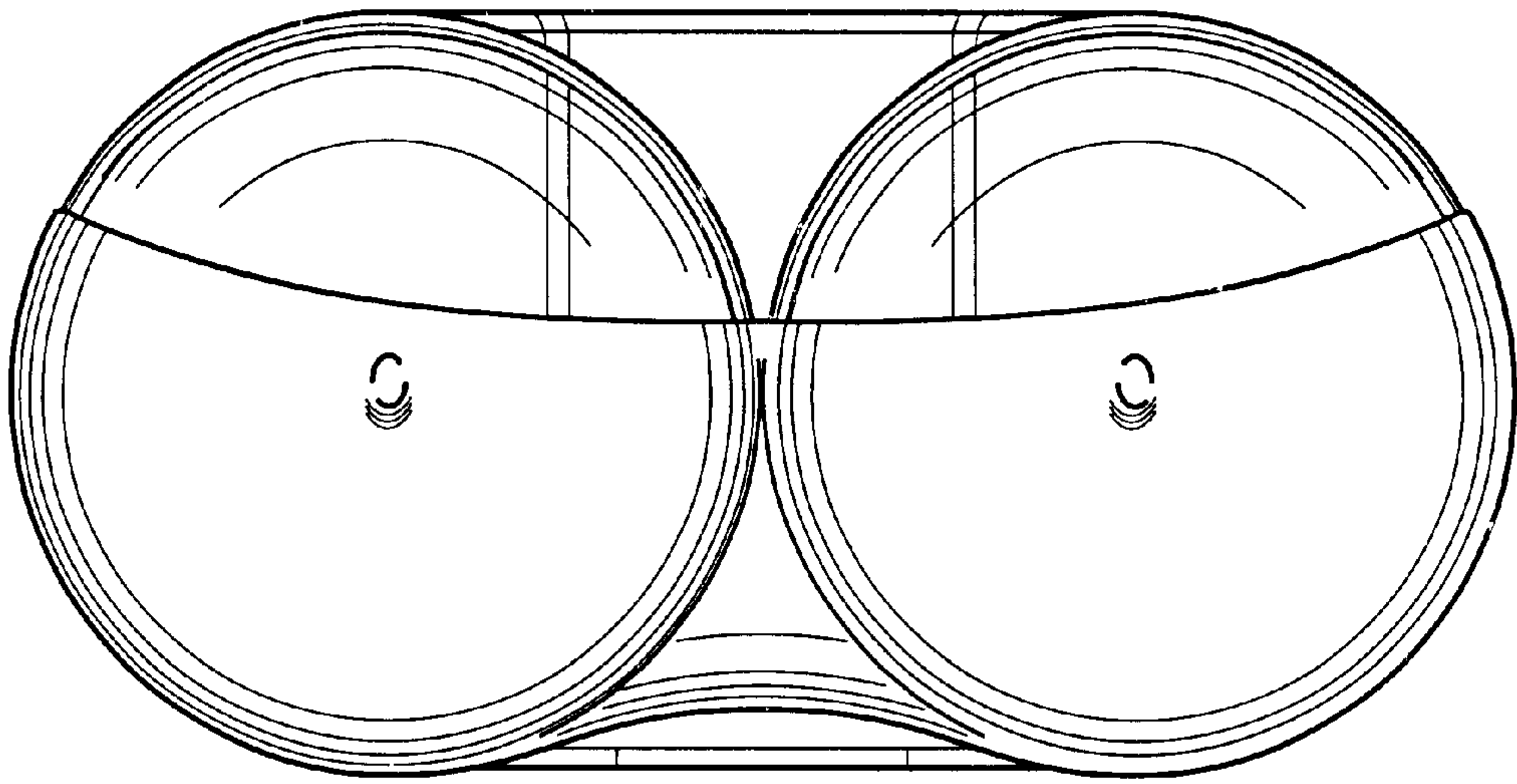


FIG. 2

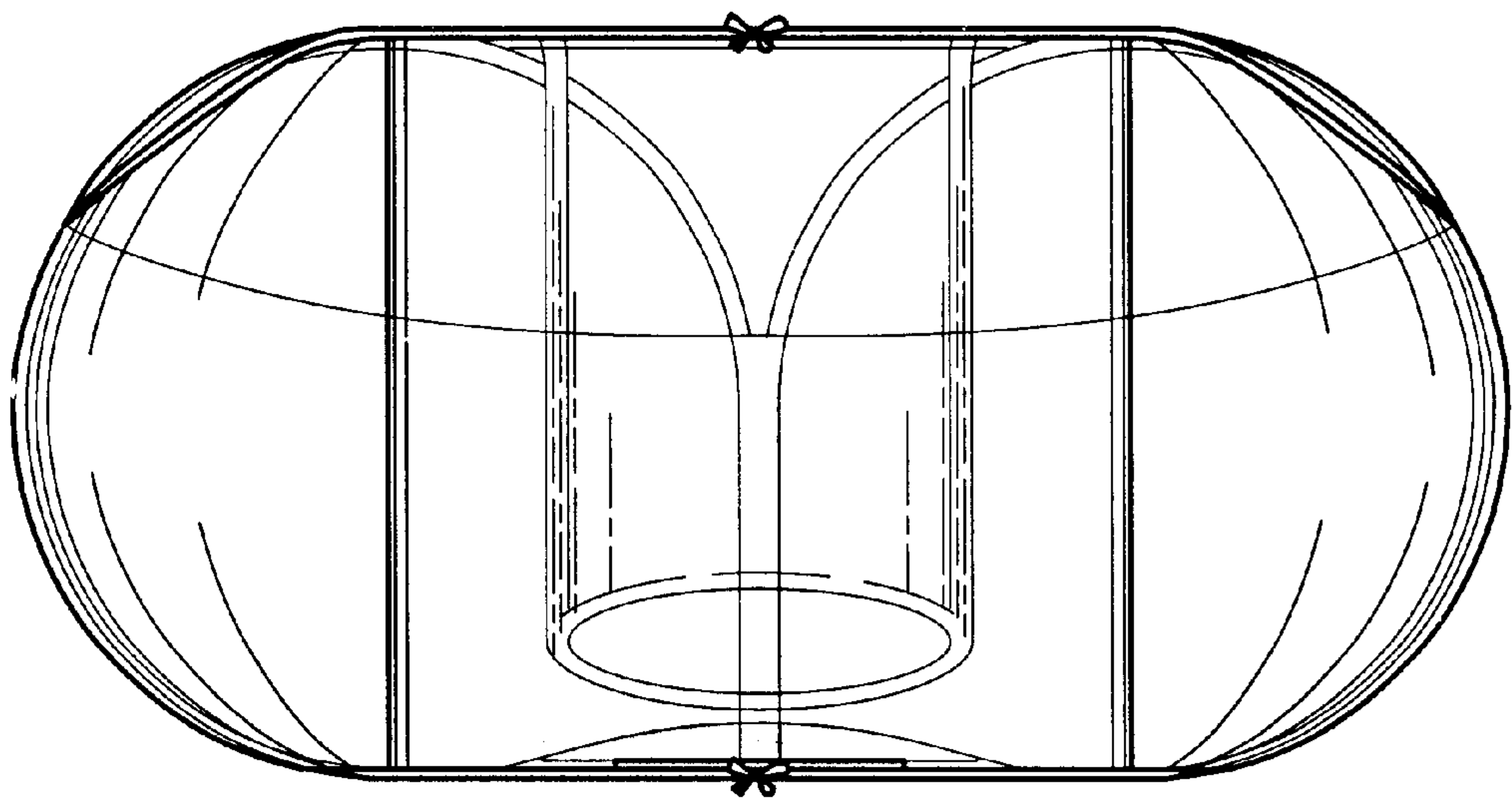


FIG. 3

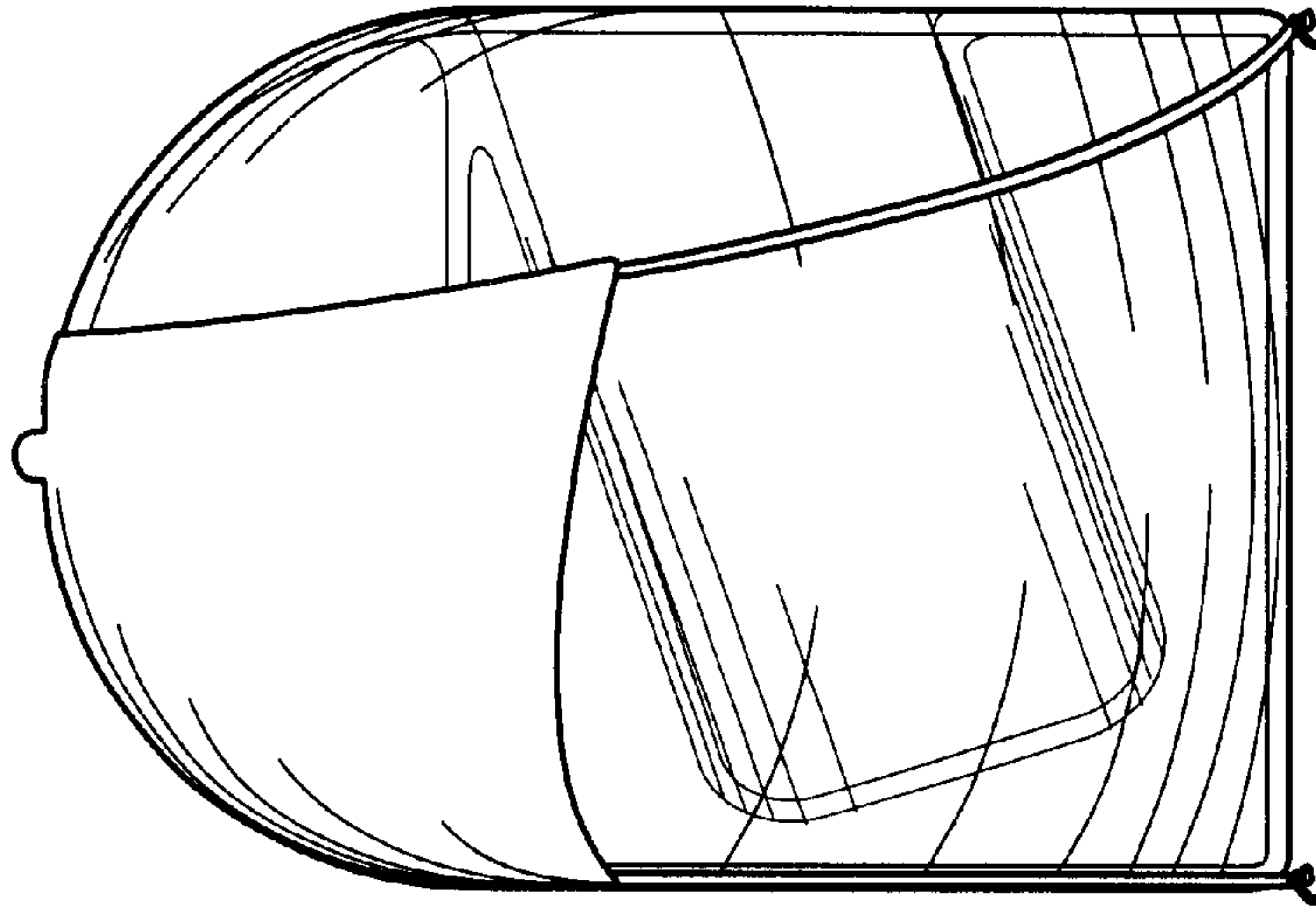


FIG. 4

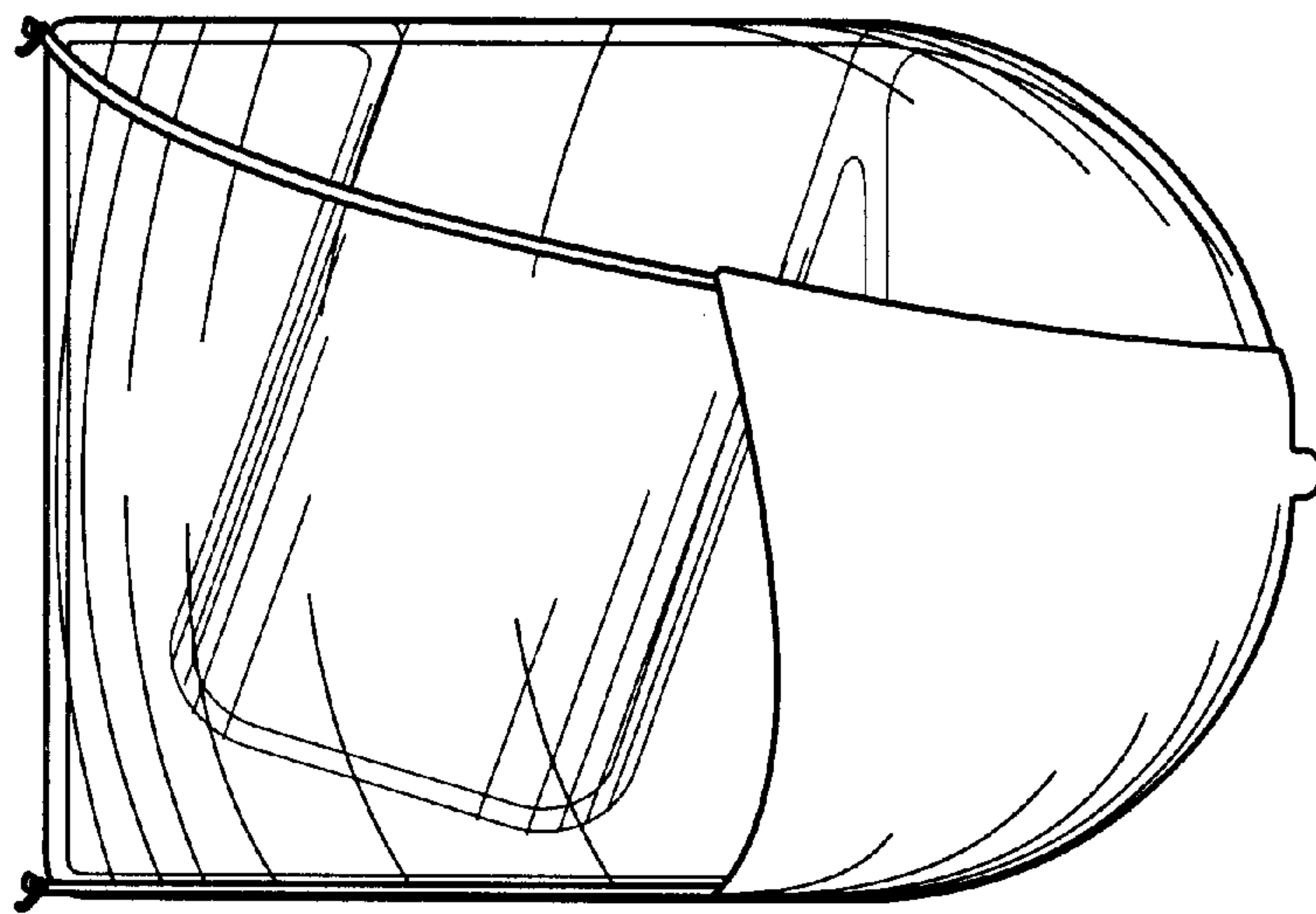


FIG. 5

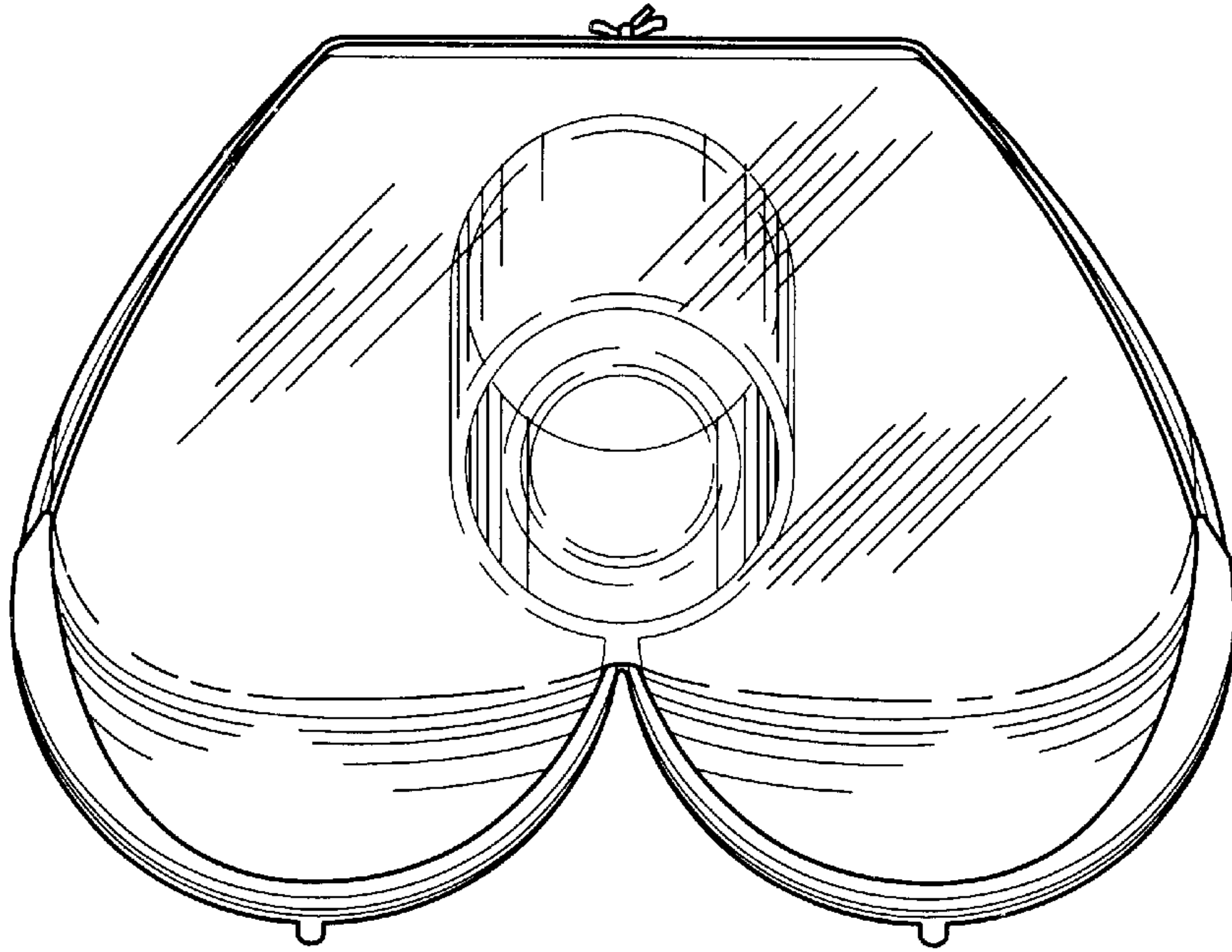


FIG. 6

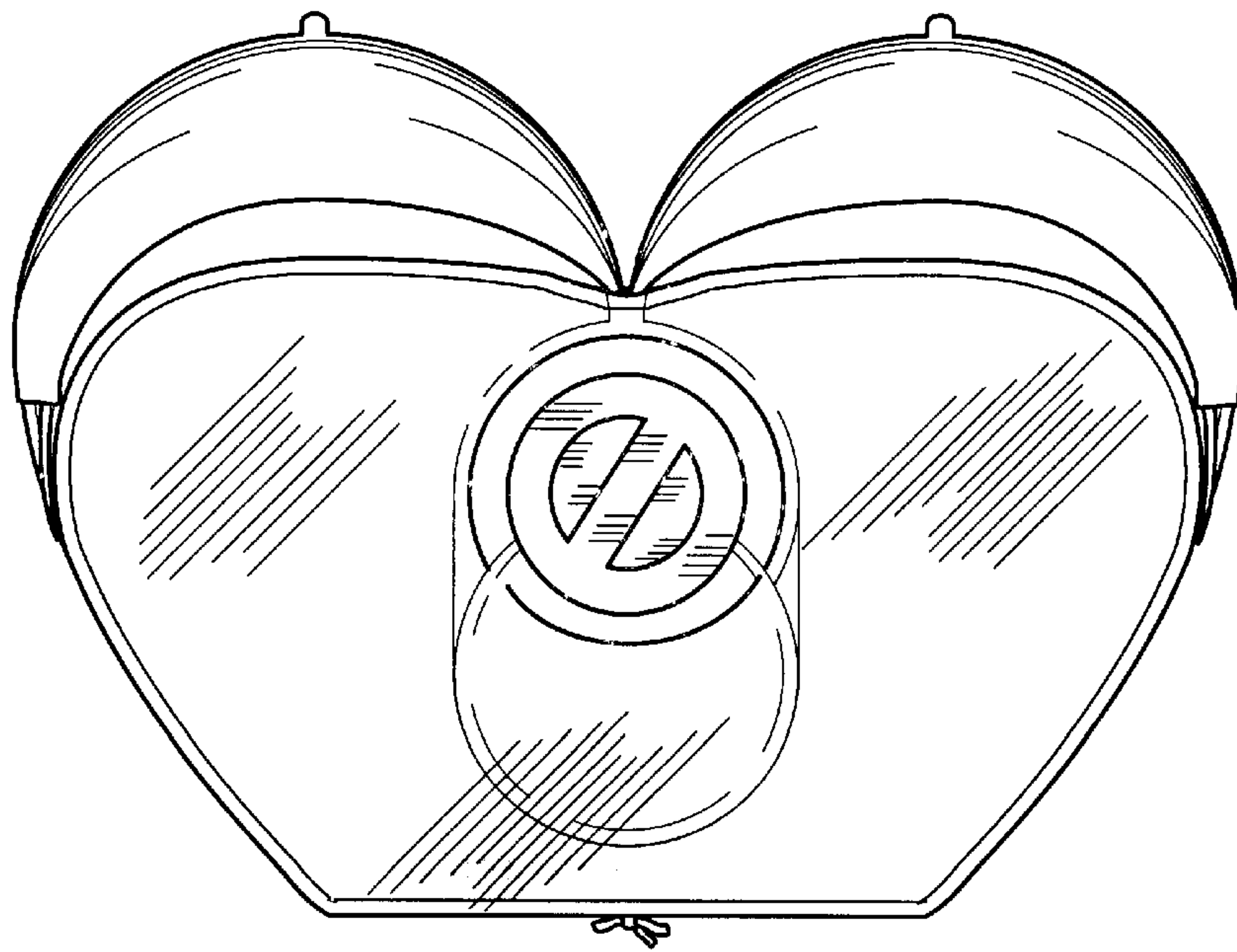


FIG. 7