



US00D454753S

(12) **United States Design Patent**
Pai

(10) **Patent No.:** **US D454,753 S**

(45) **Date of Patent:** **** Mar. 26, 2002**

(54) **ACCESSORY HOLDER FOR A GRILL**

(76) **Inventor:** **Lucas Pai**, 8 Fl.-2, No. 160, Sec. 1,
Chung-Kang Rd., Taichung (TW)

(**) **Term:** **14 Years**

(21) **Appl. No.:** **29/139,337**

(22) **Filed:** **Mar. 28, 2001**

(51) **LOC (7) Cl.** **07-02**

(52) **U.S. Cl.** **D7/402**

(58) **Field of Search** D7/332, 334, 335,
D7/336, 337, 402, 403, 404, 405, 406,
409; 126/25 R, 25 A, 25 AA, 41 R, 29-30,
9 R, 9 B, 4, 6, 506, 519; D23/343, 348,
350, 317, 332, 334-336, 338-339; 99/443,
450, 421 R; 248/156

(56) **References Cited**

U.S. PATENT DOCUMENTS

D377,734 S	*	2/1997	Bird et al.	D7/402
D377,735 S	*	2/1997	Craven	D7/406
D413,043 S	*	8/1999	Wagner et al.	D7/406
D413,229 S	*	8/1999	Hopkins et al.	D7/406
D416,441 S	*	11/1999	Wagner et al.	D7/406
D436,004 S	*	1/2001	Wagner	D7/402

D439,109 S	*	3/2001	Pai	D7/402
D441,254 S	*	5/2001	Pai	D7/403
D443,179 S	*	6/2001	Wagner	D7/406
D447,002 S	*	8/2001	Pai	D7/403

* cited by examiner

Primary Examiner—Ruth McInroy

(74) *Attorney, Agent, or Firm*—Kolisch, Hartwell,
Dickinson, McCormack & Heuser

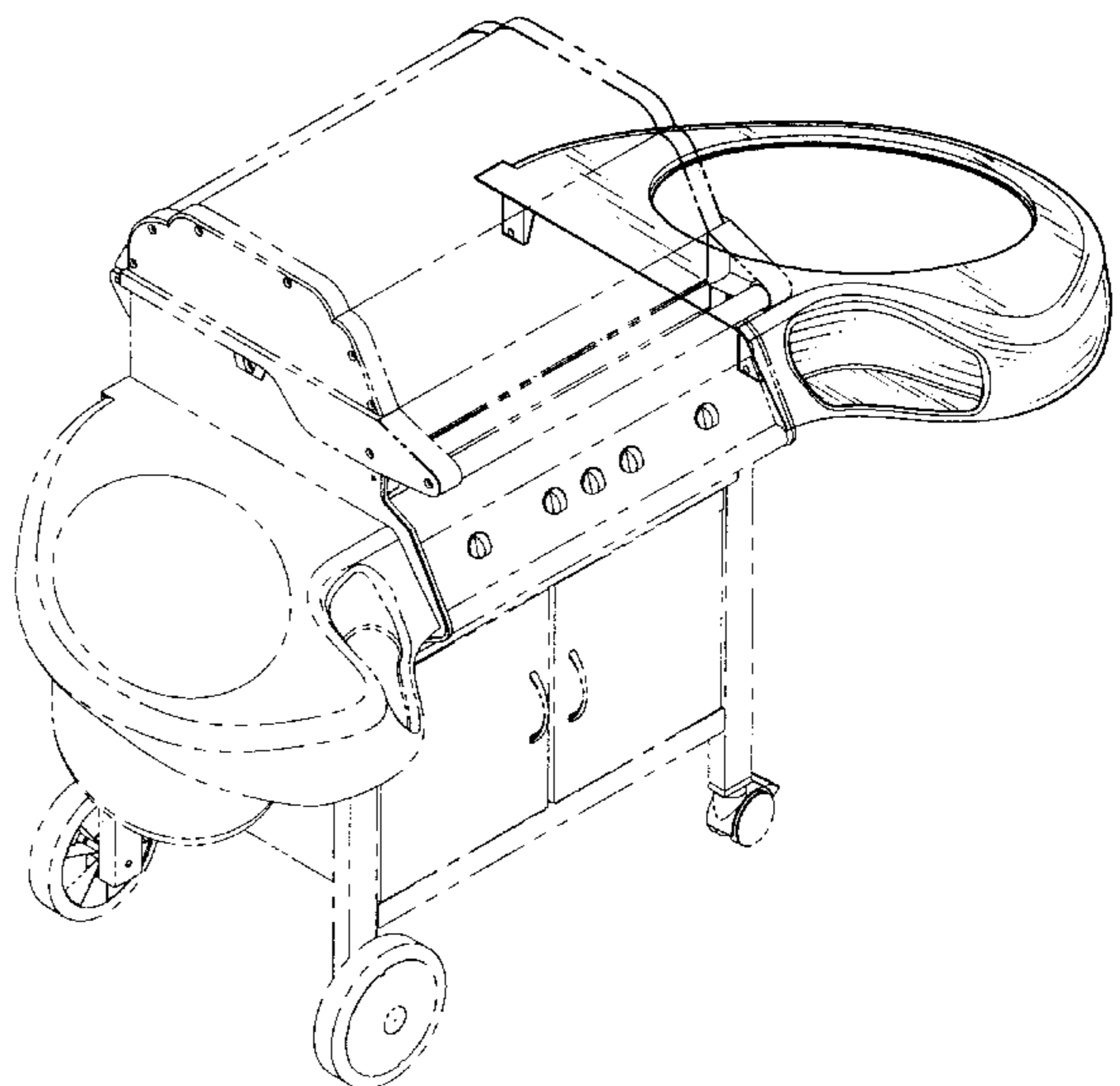
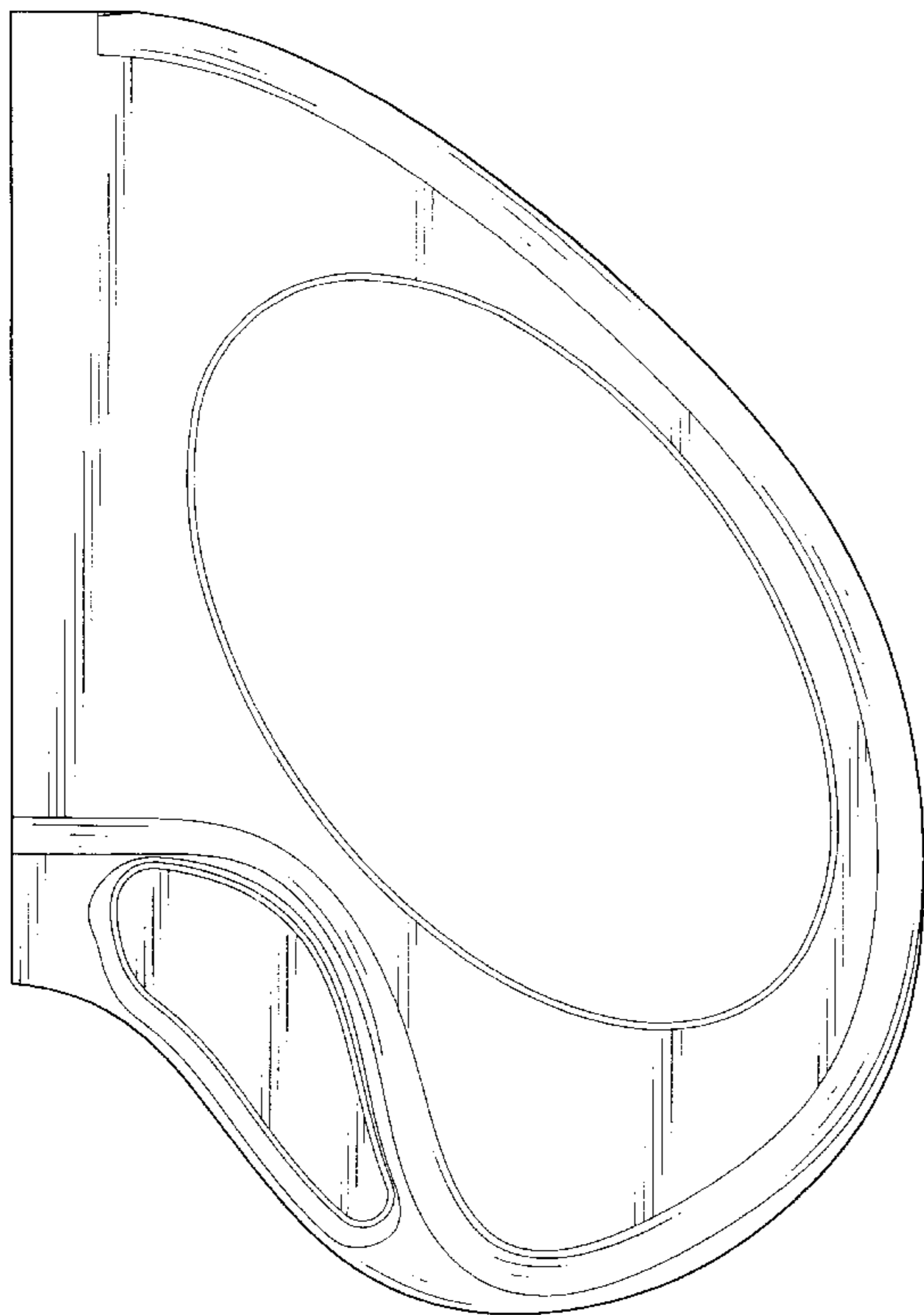
(57) **CLAIM**

The ornamental design for an accessory holder for a grill, as shown and described.

DESCRIPTION

FIG. 1 is a perspective view of an accessory holder for a grill showing my new design;
FIG. 2 is a front elevational view thereof;
FIG. 3 is a rear elevational view thereof;
FIG. 4 is a left side view thereof;
FIG. 5 is a right side view thereof;
FIG. 6 is a top plain view thereof;
FIG. 7 is a bottom plain view thereof; and,
FIG. 8 is a view showing the application thereof, wherein the broken line portion is for illustrative purpose only and forms no part of the claimed design.

1 Claim, 7 Drawing Sheets



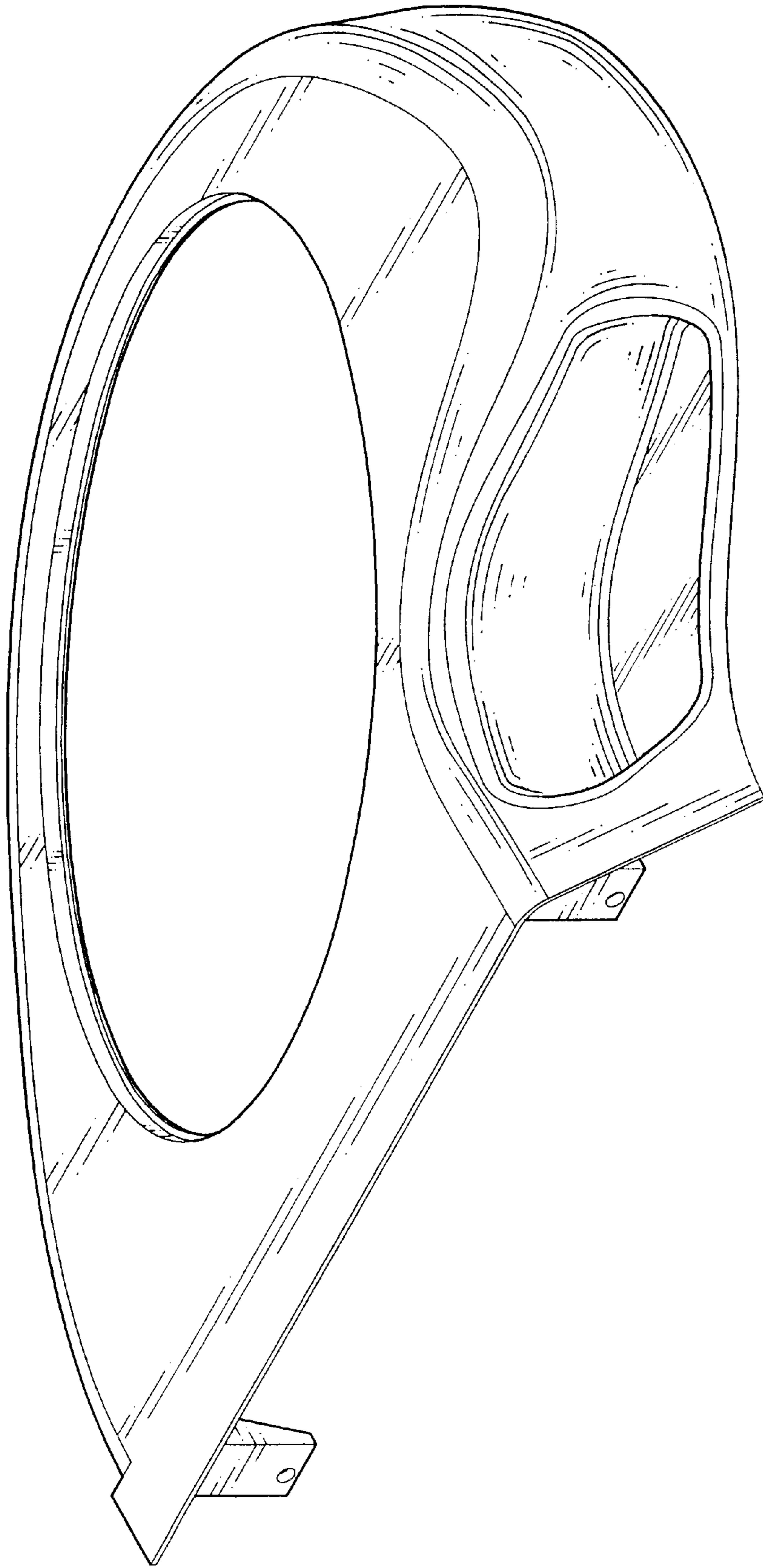


FIG. 1

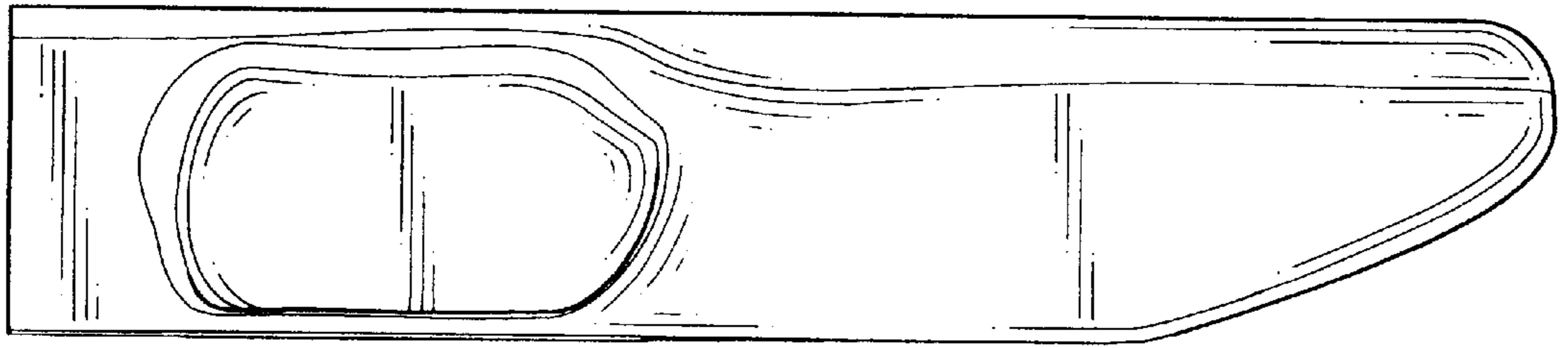


FIG. 2

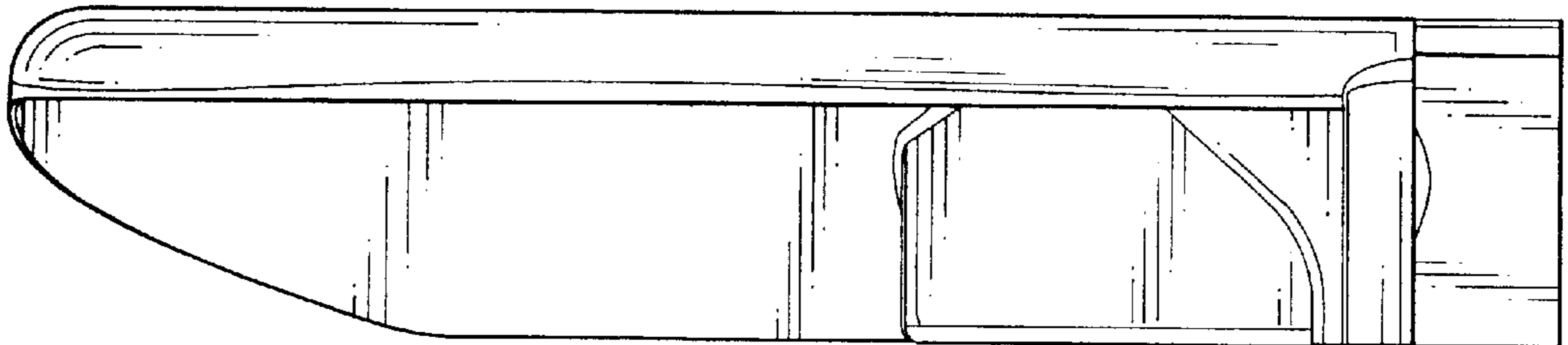


FIG. 3

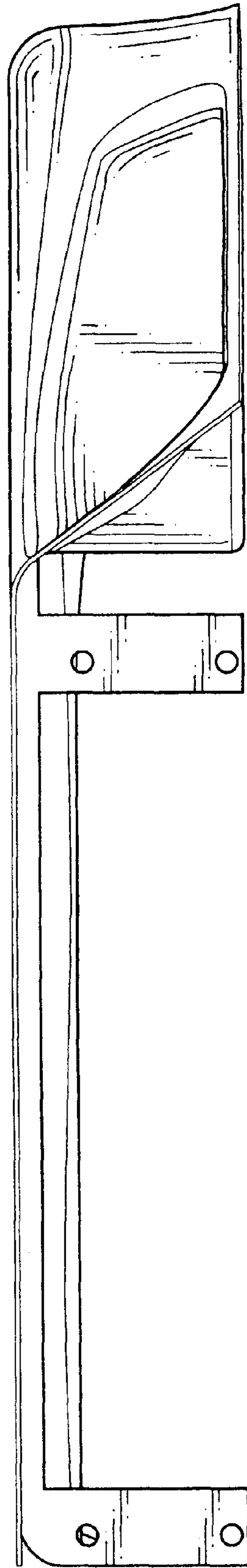


FIG. 4

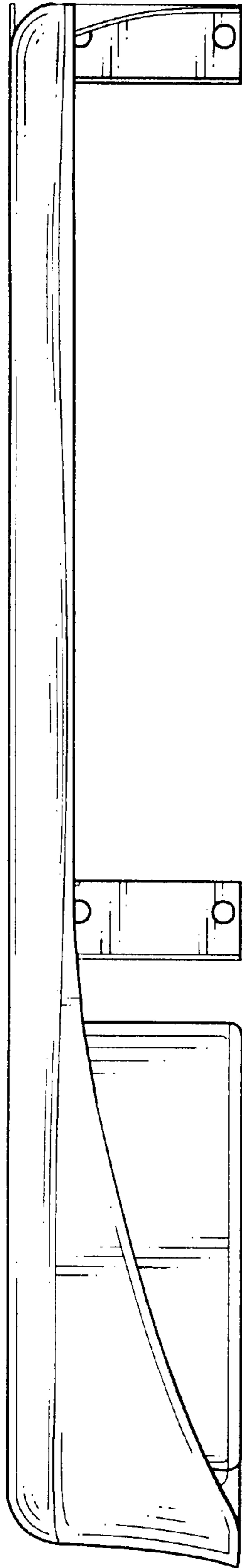


FIG. 5

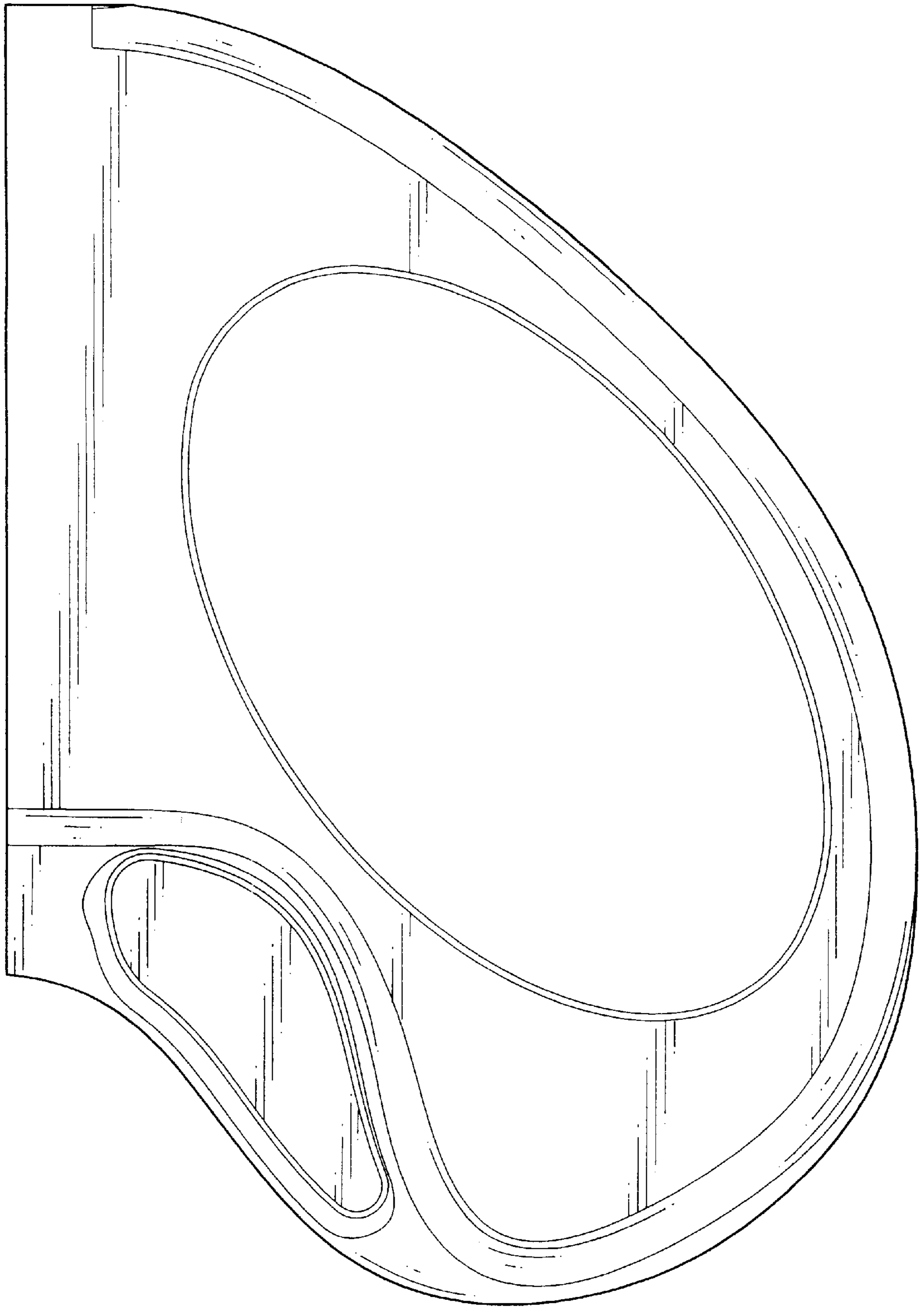


FIG. 6

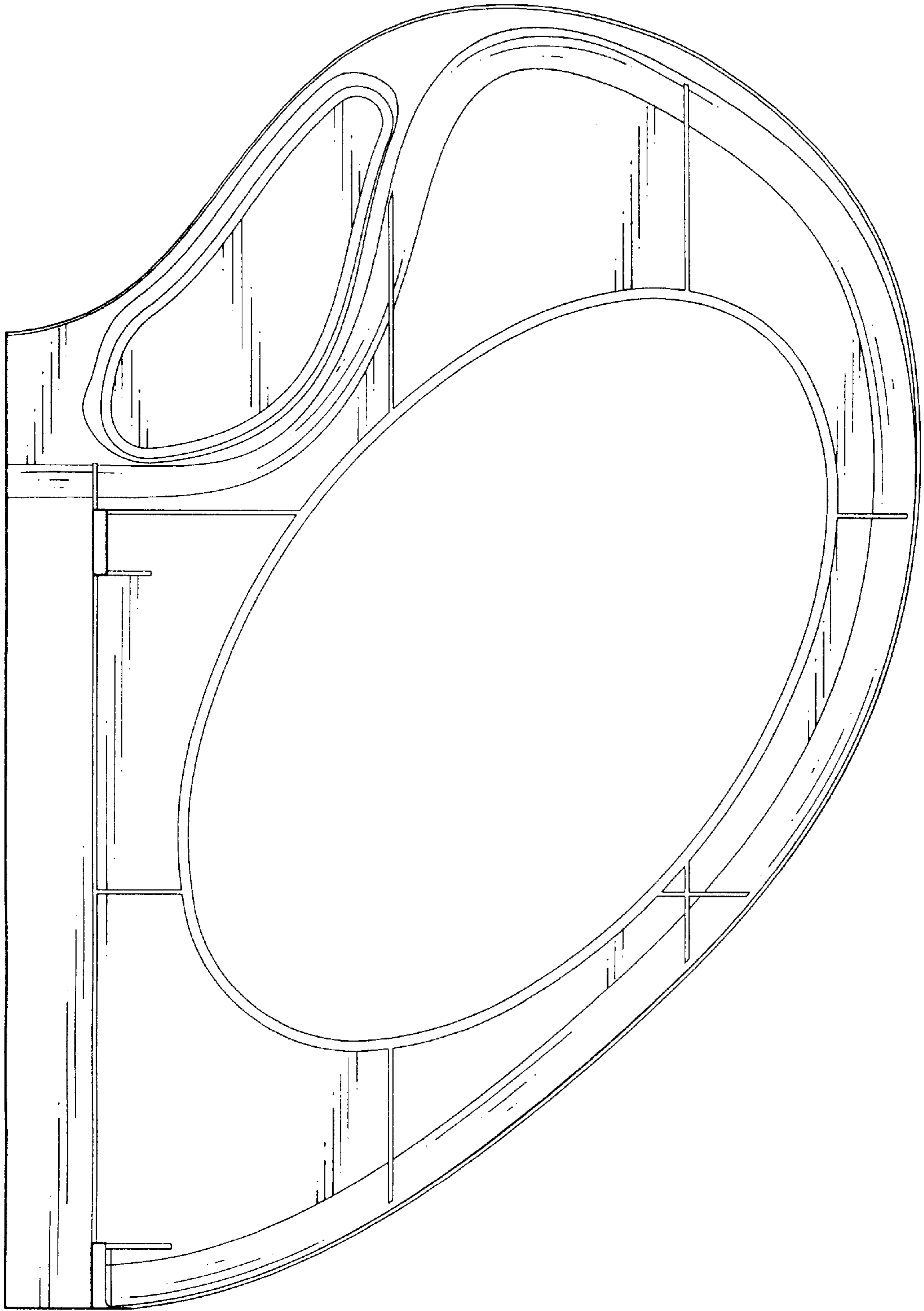


FIG. 7

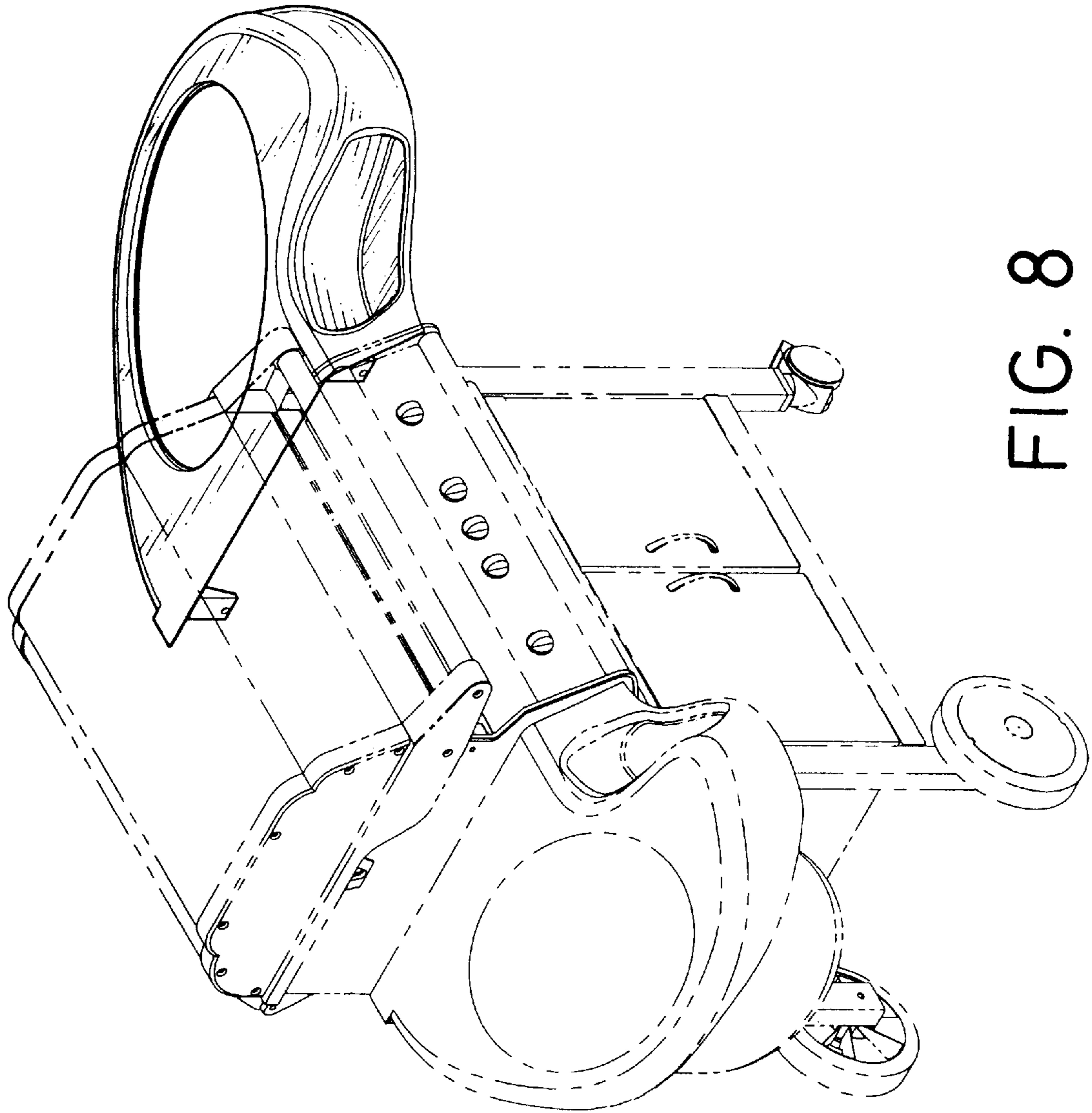


FIG. 8