



US00D454751S

(12) **United States Design Patent**
Zank

(10) **Patent No.:** **US D454,751 S**

(45) **Date of Patent:** **** Mar. 26, 2002**

(54) **FOOD PAN**

FOREIGN PATENT DOCUMENTS

(75) Inventor: **Jeffrey T. Zank**, Germantown, WI (US)

DE 93 21 150 7/1996

GB 19179 1/1910

(73) Assignee: **The Vollrath Company, L.L.C.**,
Sheboygan, WI (US)

GB 463538 4/1937

GB 2 270 459 3/1994

WO 94/15152 7/1994

(*) Notice: This patent is subject to a terminal disclaimer.

OTHER PUBLICATIONS

(**) Term: **14 Years**

“Vollrath Super Pan” Catalog; Form No. 35001; 1986 The Vollrath Company, 4 pages.

(21) Appl. No.: **29/130,395**

“1989 Cambro Catalog”; First Edition; 6 total pages (cover page, pp. 2, 18–21).

(22) Filed: **Sep. 29, 2000**

“Rubbermaid Food Specialists”; F-200 Litho/5-78; 6 total pages.

Related U.S. Application Data

“Polarware Food Service” Catalog; Revised May 1988; 4 total pages.

(63) Continuation of application No. 09/540,563, filed on Mar. 31, 2000.

“Carlisle Foodservice Products” Catalog; 3 total pages (cover page, back page and p. 9).

(51) **LOC (7) Cl.** **07-02**

“The Vollrath Catalog”; Form No. 34567; 1997 The Vollrath Company, 64 total pages.

(52) **U.S. Cl.** **D7/354; D9/434**

(58) **Field of Search** D7/354, 360; D9/424, D9/425, 430, 432, 446, 447, 456; 206/518, 557, 563; 220/556, 573.1, 640, 642, 644, 656, 657, 659

Primary Examiner—Doris V. Coles

Assistant Examiner—Elizabeth A. Albert

(74) *Attorney, Agent, or Firm*—Foley & Lardner

(56) **References Cited**

(57) **CLAIM**

U.S. PATENT DOCUMENTS

We claim the ornamental design for a food pan, as shown and described.

- D103,671 S 3/1937 Connor
- 2,644,443 A 7/1953 Barnsteiner
- 2,646,762 A 7/1953 Ingraham et al.
- 3,112,948 A 12/1963 Burns
- 3,179,287 A 4/1965 Richmeier, Jr.
- D206,450 S 12/1966 Lloyd
- 3,581,970 A 6/1971 Colato
- D240,714 S 7/1976 White
- D246,342 S * 11/1977 Yonkers D9/425
- 4,113,095 A 9/1978 Dietz et al.
- 4,204,609 A 5/1980 Kuhn
- 4,298,156 A 11/1981 Reifers et al.
- D268,622 S 4/1983 Wolters et al.
- D275,500 S 9/1984 Tyke
- 4,616,762 A 10/1986 Alexander
- D287,809 S * 1/1987 Alexander D7/354

DESCRIPTION

FIG. 1 is a top perspective view of a food pan illustrating my design;

FIG. 2 is a top plan view thereof;

FIG. 3 is a rear side elevational view thereof;

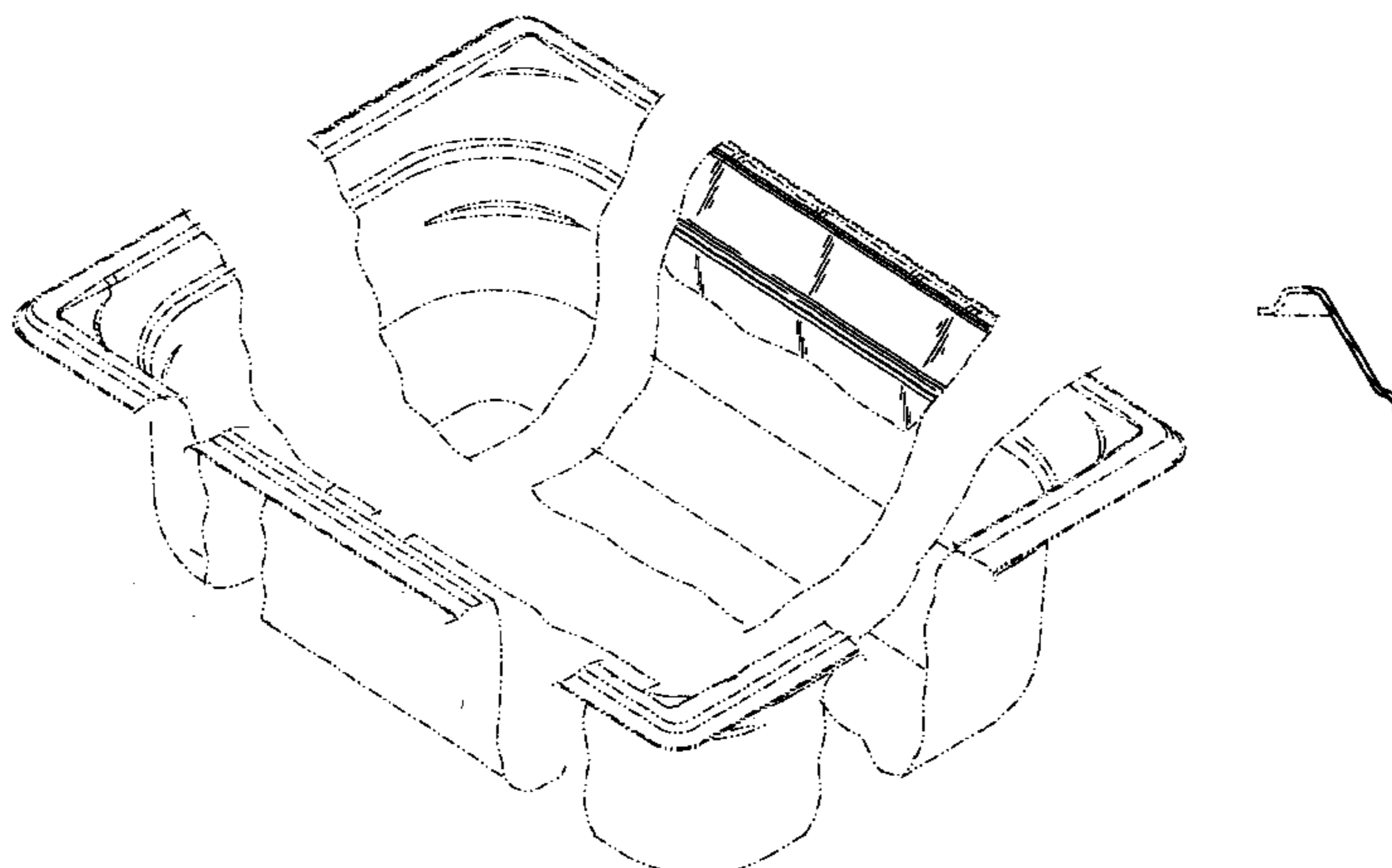
FIG. 4 is a bottom plan view thereof; and,

FIG. 5 is a sectional view thereof taken along line 5—5 of FIG. 2.

The ornamental design which is claimed is shown in solid lines in the drawings. The broken lines in the drawings are for illustrative purposes only and form no part of the claimed design.

(List continued on next page.)

1 Claim, 3 Drawing Sheets



US D454,751 S

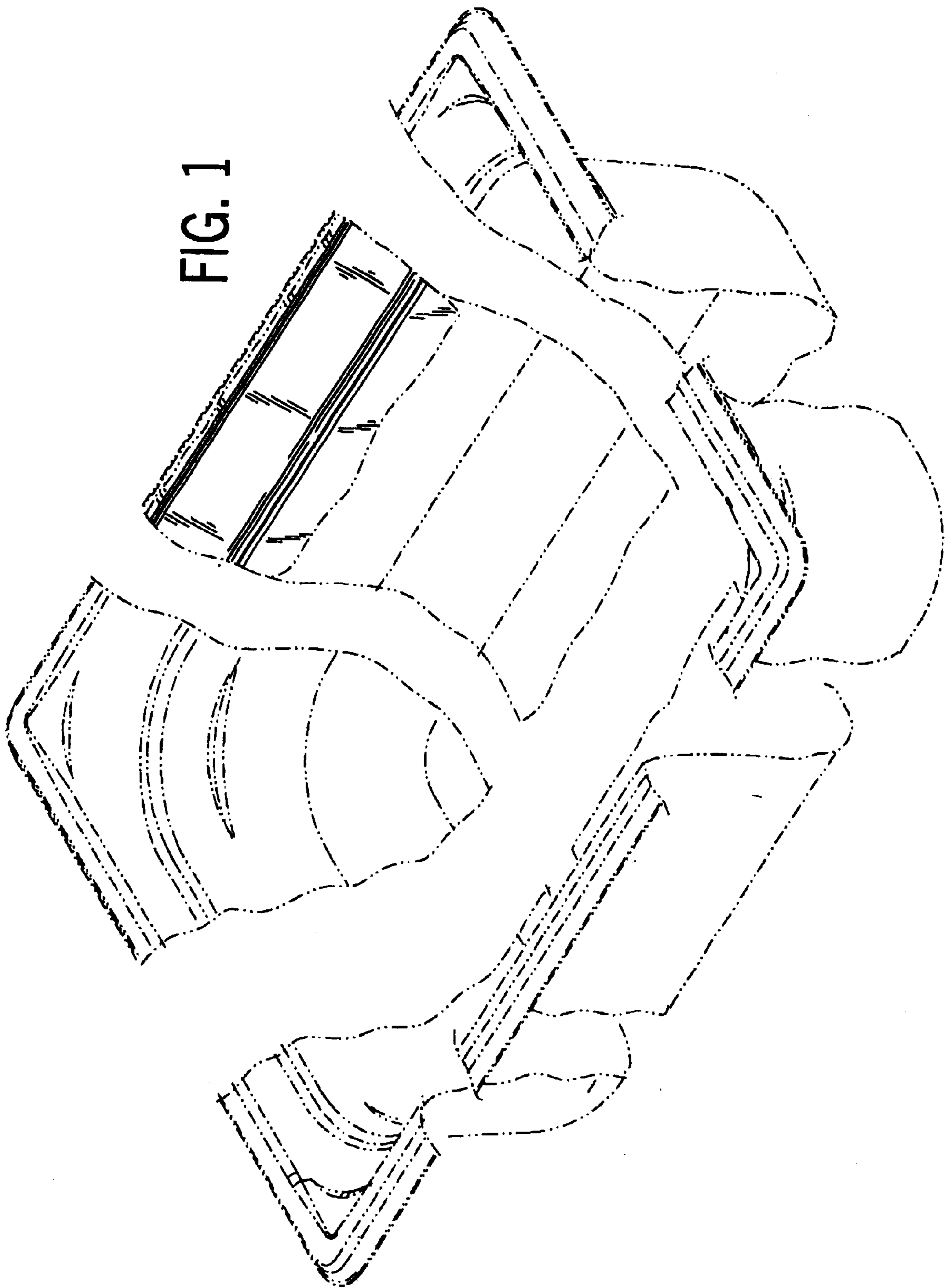
Page 2

U.S. PATENT DOCUMENTS

D288,063 S	*	2/1987	Tyler	D9/425	D333,944 S	3/1993	Denzin et al.	
D288,396 S		2/1987	Ritman		5,279,443 A	1/1994	Koda et al.	
4,660,734 A	*	4/1987	Heaney et al.	206/518	5,392,948 A	2/1995	McEntee	
D291,526 S	*	8/1987	Heaney et al.	D7/354	D365,501 S	12/1995	Daugherty et al.	
4,828,112 A		5/1989	Vollrath et al.		5,511,467 A	4/1996	Motley et al.	
D305,410 S	*	1/1990	Tyler	D9/425	5,626,256 A	5/1997	Onneweer	
4,967,908 A		11/1990	Kessler		5,628,427 A	5/1997	Hayes	
4,969,569 A		11/1990	Anders		5,676,276 A	10/1997	Zielinski et al.	
4,971,216 A		11/1990	Fortune		5,769,261 A	6/1998	Gaffney et al.	
5,018,623 A		5/1991	Hrenyo		5,878,656 A	3/1999	Fletcher et al.	
5,029,721 A		7/1991	Timpe		D417,361 S	12/1999	Mittmann et al.	
5,131,708 A		7/1992	Denzin		D435,390 S	* 12/2000	Mittmann	D7/354

* cited by examiner

FIG. 1



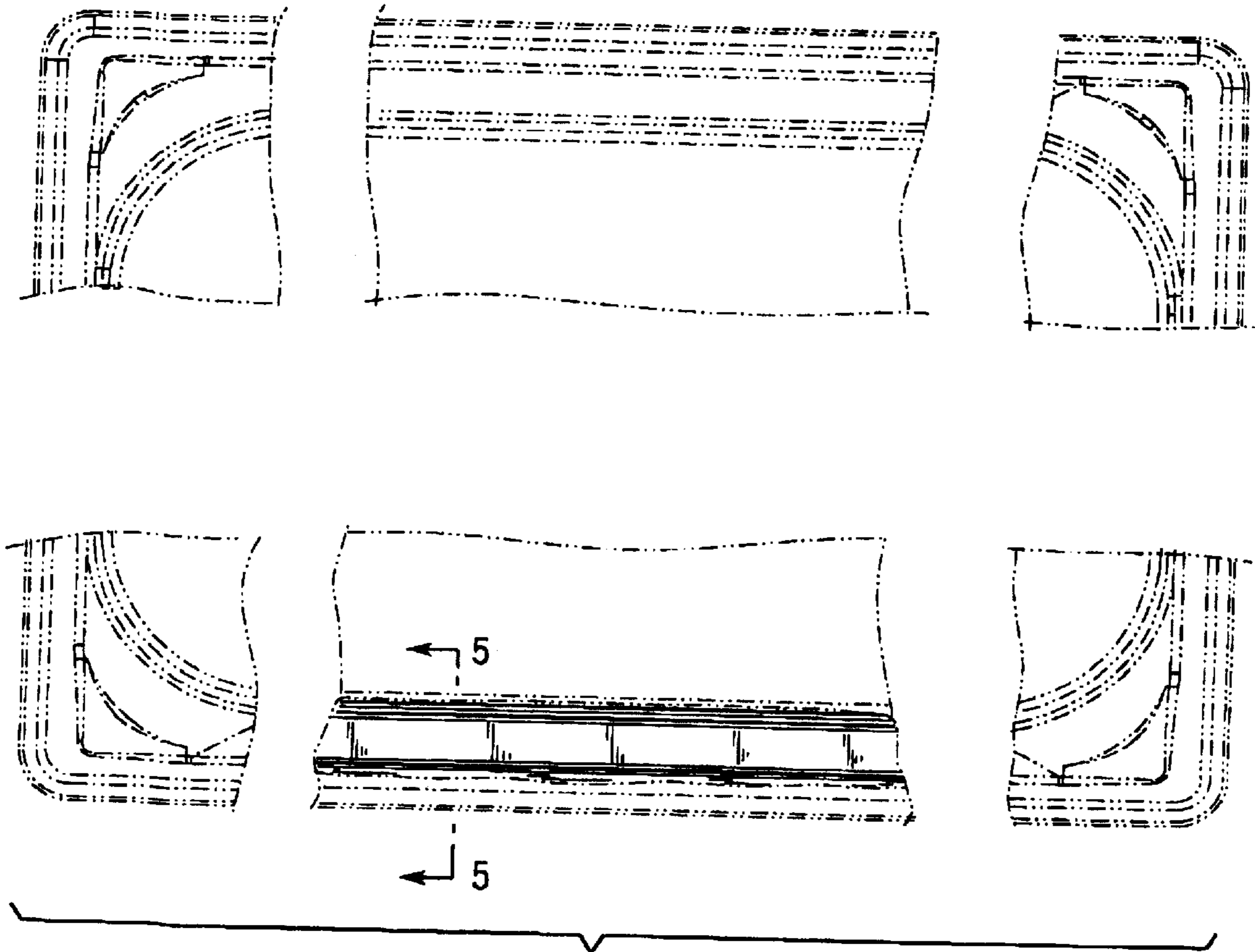


FIG. 2

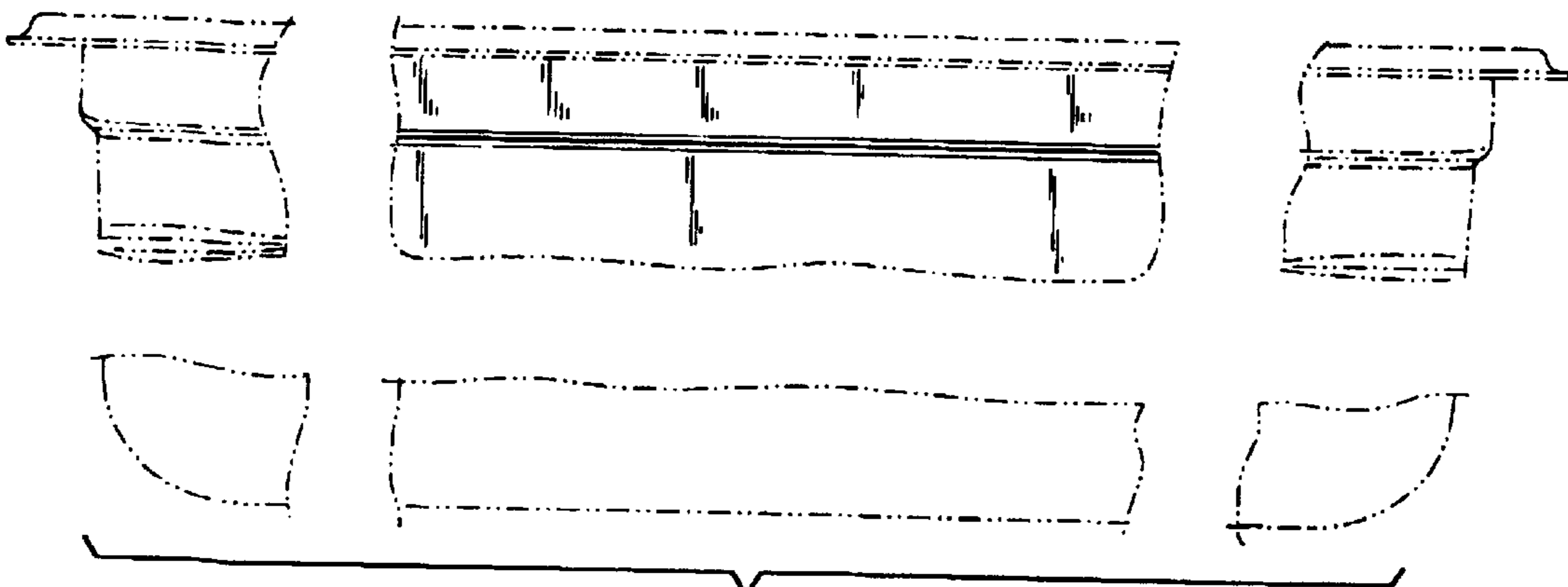


FIG. 3

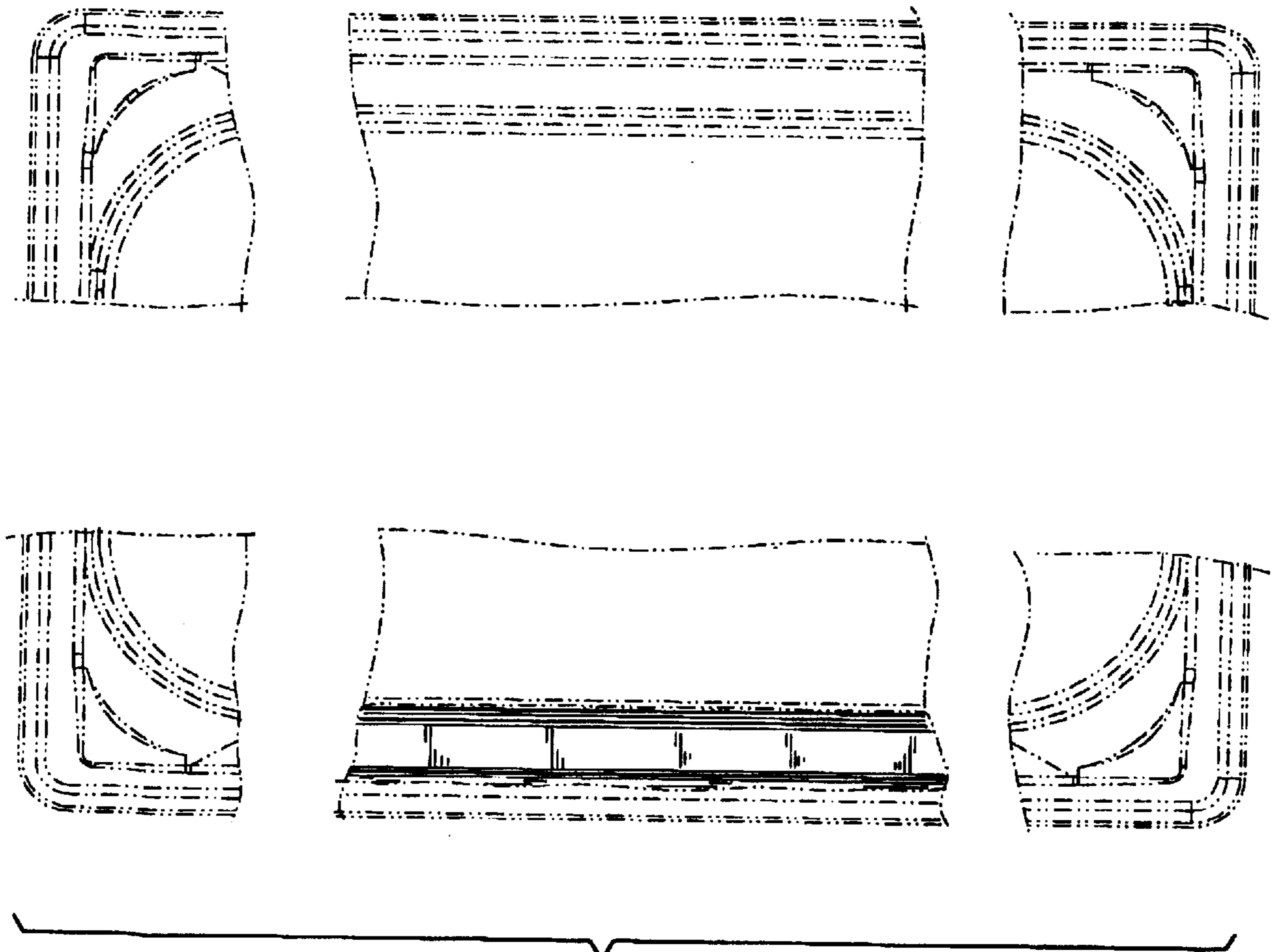


FIG. 4

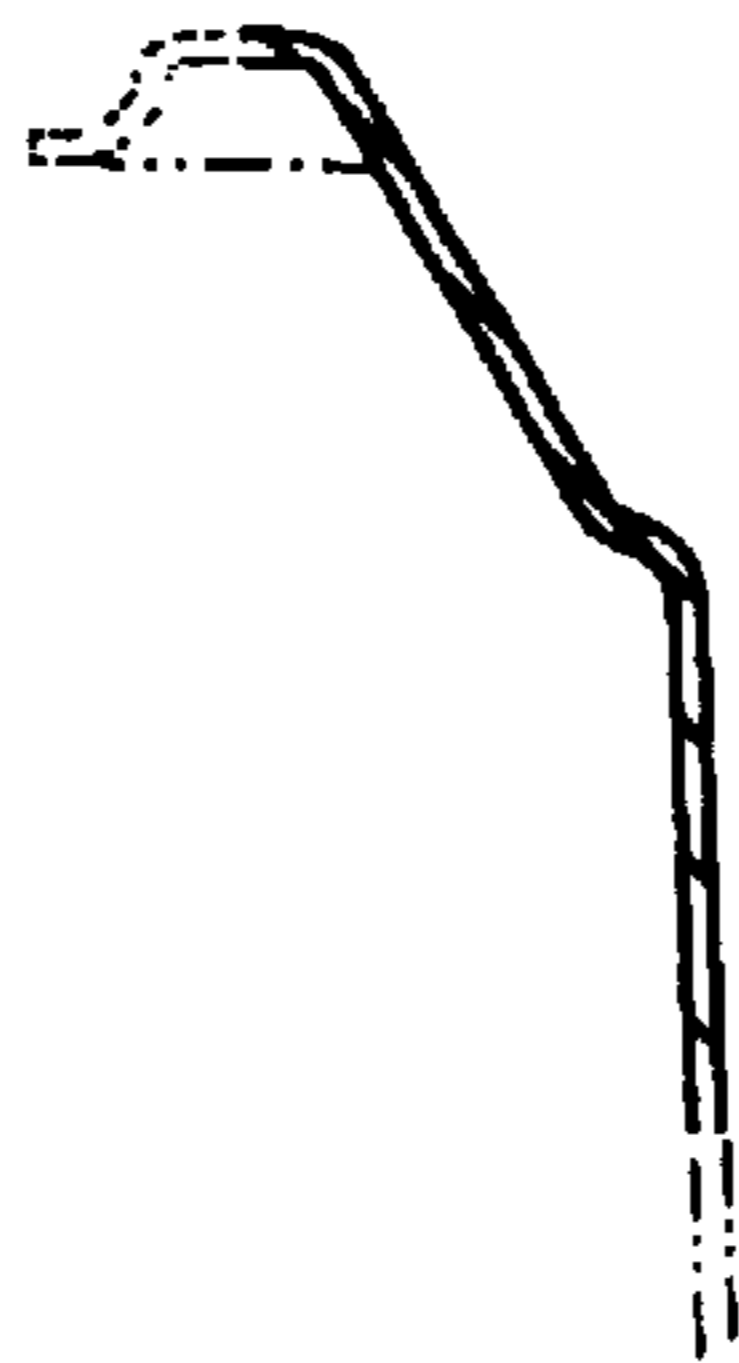


FIG. 5