



US00D454748S

(12) **United States Design Patent**
Spitzer

(10) **Patent No.:** **US D454,748 S**

(45) **Date of Patent:** **** Mar. 26, 2002**

(54) **UNIFORM SEAT COVER**

D402,497 S * 12/1998 Holley D6/611

(76) Inventor: **Shawn David Spitzer**, 944 W. Main St., Apt. 2010, Mesa, AZ (US) 85201

(**) Term: **14 Years**

(21) Appl. No.: **29/128,873**

(22) Filed: **Sep. 5, 2000**

(51) **LOC (7) Cl.** **06-13**

(52) **U.S. Cl.** **D6/611**

(58) **Field of Search** D12/400, 415;
D6/610, 611; D2/717; 297/218.1-218.2,
219.1, 223, 225, 228.1, 228.11, 228.12,
228.13, 229, 230.1; 2/113, 115

(56) **References Cited**

U.S. PATENT DOCUMENTS

4,694,511	A	*	9/1987	Estes et al.	D6/611
4,698,849	A	*	10/1987	Mitchell et al.	2/115
5,112,104	A	*	5/1992	Giacomi	297/229
D365,958	S	*	1/1996	Bolewski	D6/611
5,707,107	A	*	1/1998	Melone	297/228.1
D396,983	S	*	8/1998	Taylor	D6/611

OTHER PUBLICATIONS

Athletic Supply Sports and Gifts catalog; 1993; p. 55; No. B (Drexler 22) basketball jersey.*

* cited by examiner

Primary Examiner—Cathy Anne MacCormac

(74) *Attorney, Agent, or Firm*—Parsons & Goltry; Michael W. Goltry; Robert A. Parsons

(57) **CLAIM**

The ornamental design for a uniform seat cover, as shown and described.

DESCRIPTION

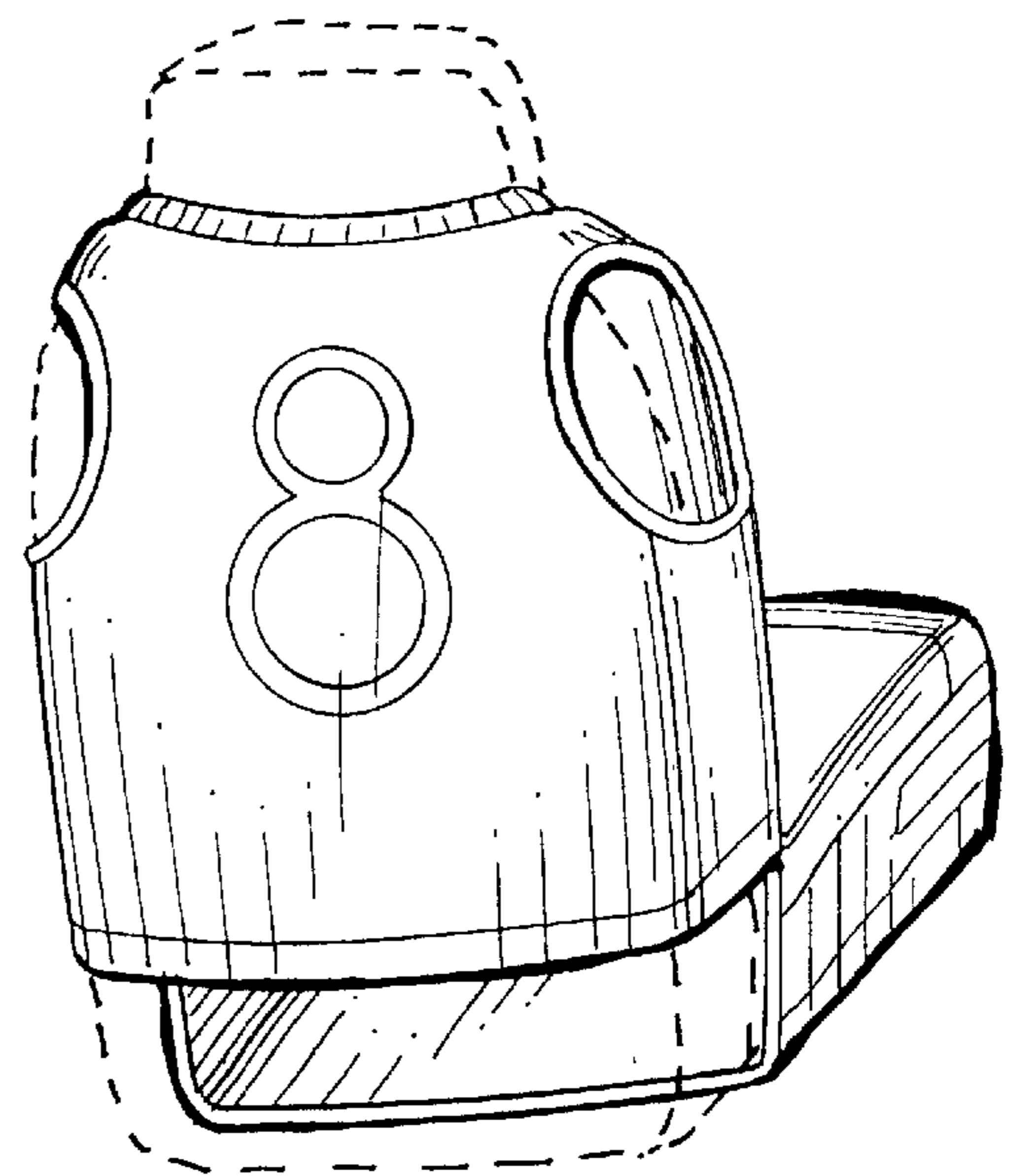
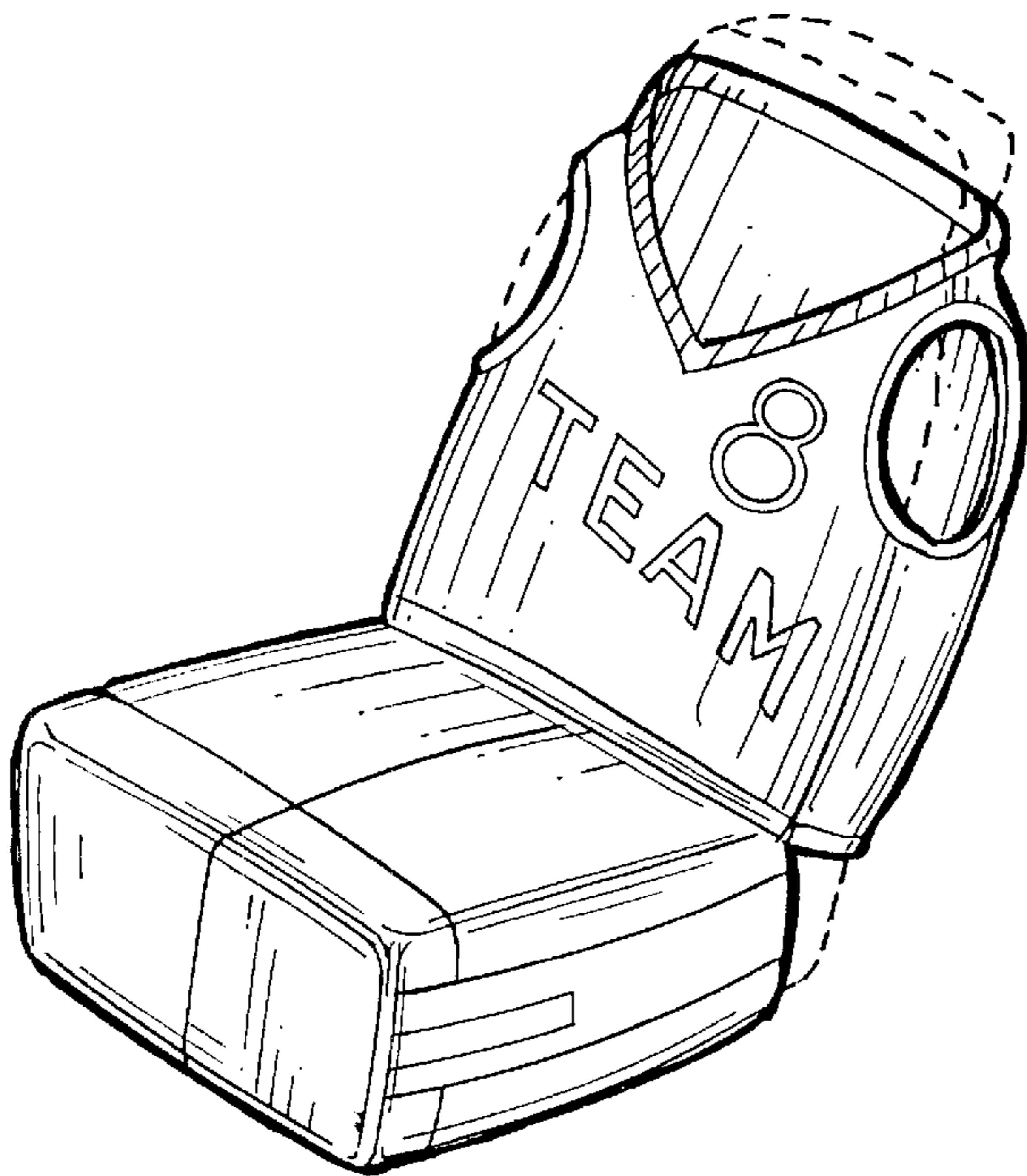
FIG. 1 is a perspective view of a uniform seat cover showing my new design;

FIG. 2 is a rear elevation thereof; and,

FIG. 3 is a side elevation thereof, the opposite side elevation being a mirror image.

The broken lines are for illustrative purposes only and form no part of the claimed design.

1 Claim, 1 Drawing Sheet



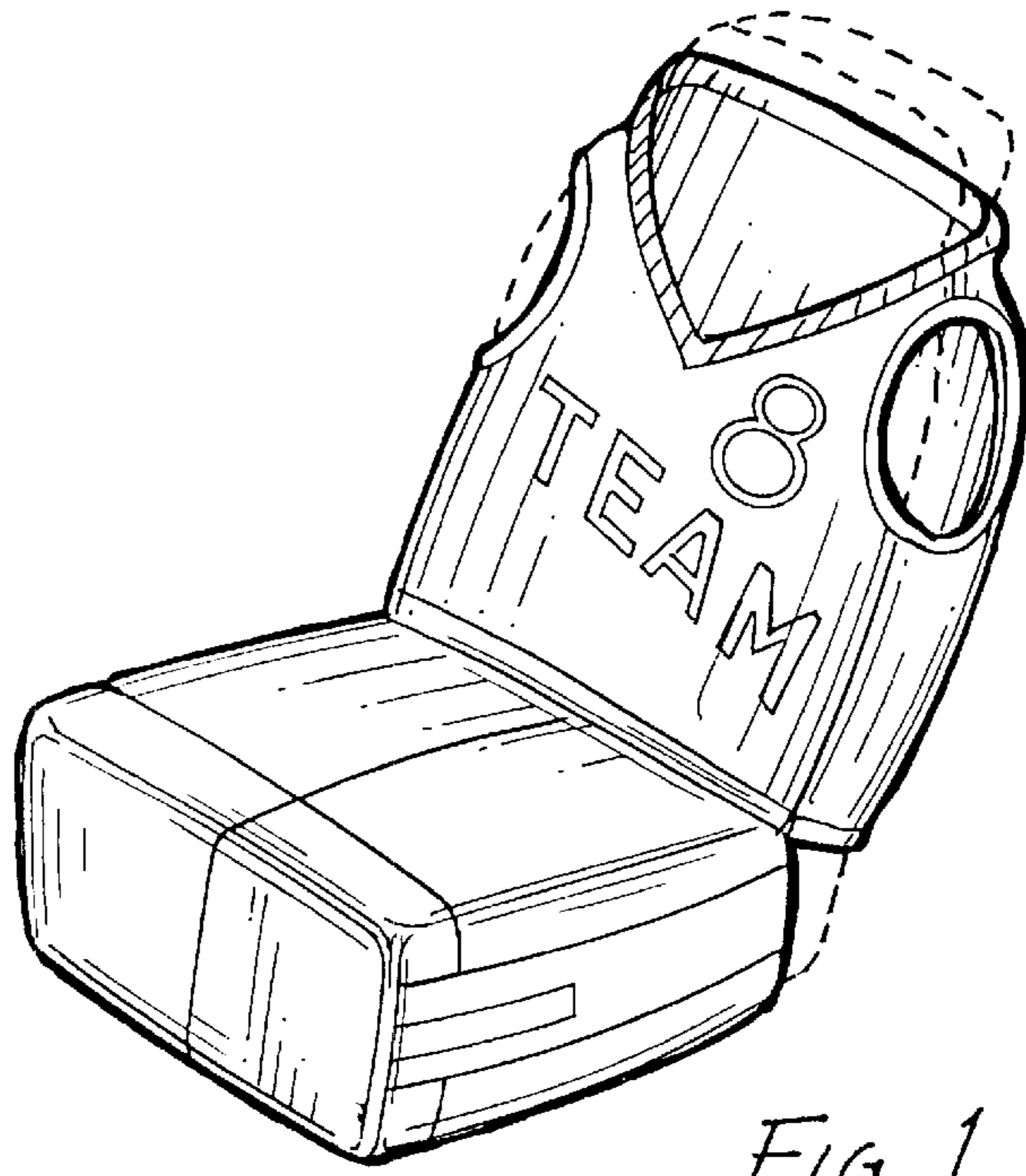


FIG. 1

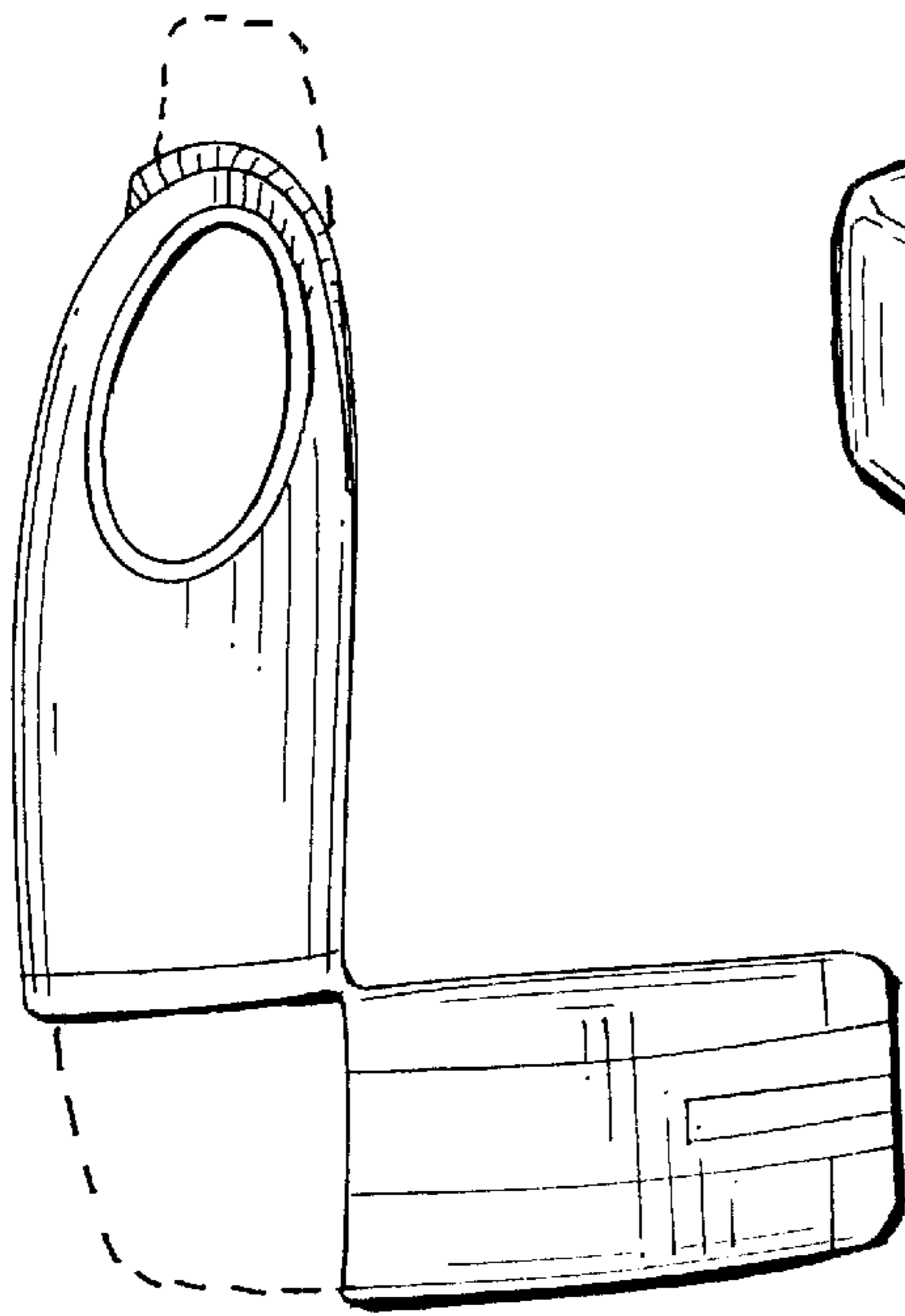


FIG. 3

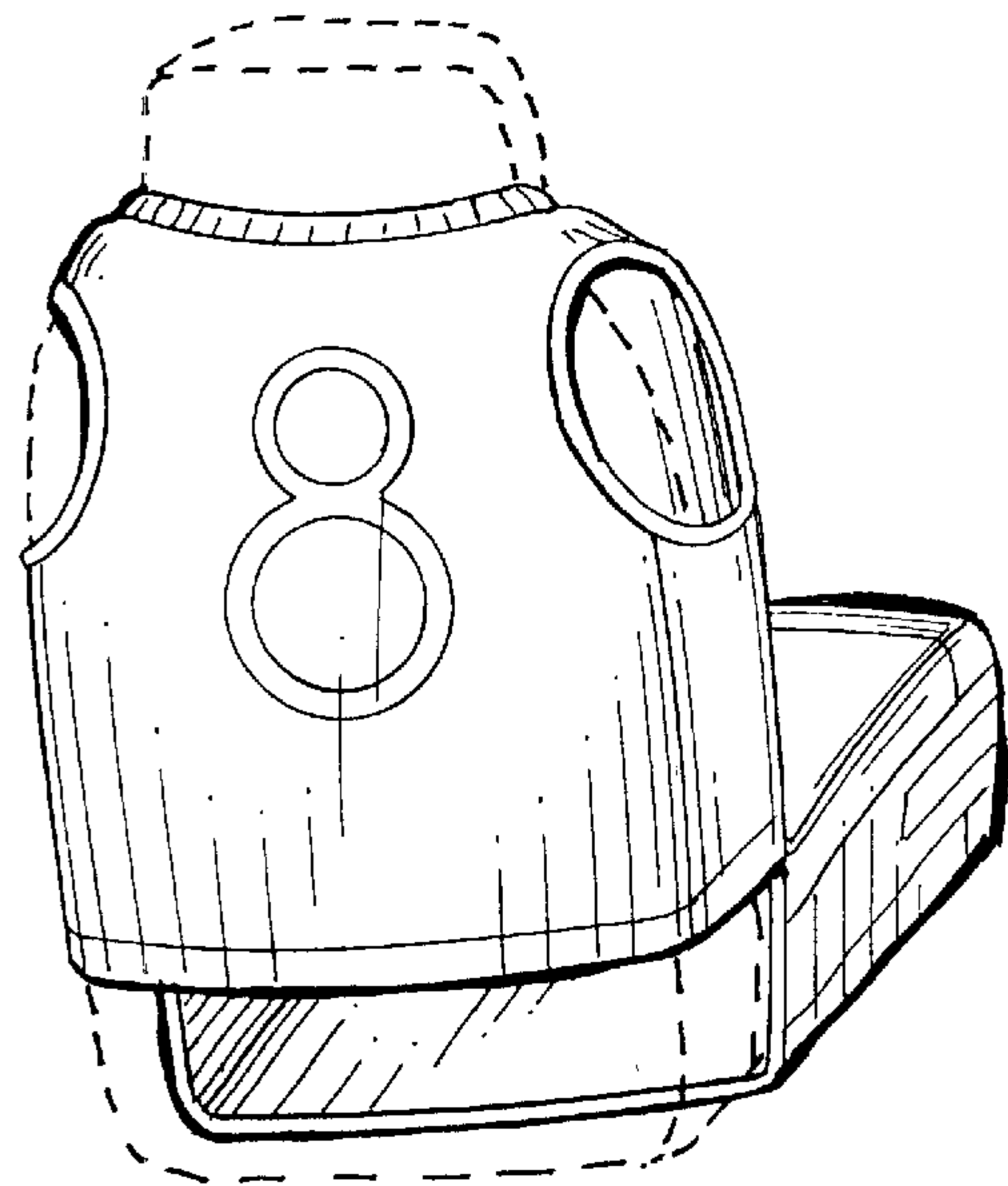


FIG. 2