



US00D454745S

(12) **United States Design Patent**
Wright

(10) **Patent No.:** **US D454,745 S**

(45) **Date of Patent:** **** Mar. 26, 2002**

(54) **TOWEL BAR END**

(76) Inventor: **Randy J. Wright**, 1586 Zephyr Ave.,
Hayword, CA (US) 94544

(**) Term: **14 Years**

(21) Appl. No.: **29/142,037**

(22) Filed: **May 17, 2001**

(51) **LOC (7) Cl.** **06-04**

(52) **U.S. Cl.** **D6/550; D6/549**

(58) **Field of Search** D6/522-51; D8/300,
D8/315-21, 354, 363, 373, 380; 108/28-29;
211/13.1, 16, 60.1, 86.01, 87.01, 88.04,
100, 105.1-105.2, 123, 181.1, 182; 248/175,
176.1, 251, 302; 16/110.1, 412, 415

(56) **References Cited**

U.S. PATENT DOCUMENTS

D337,014 S	*	7/1993	Wang	D6/550
D341,511 S	*	11/1993	McKeone	D6/550
D394,971 S	*	6/1998	Moore	D6/550
D394,972 S	*	6/1998	Moore et al.	D6/550
D408,669 S	*	4/1999	Kuo	D6/550
D417,995 S	*	12/1999	Chen	D6/550
D424,354 S	*	5/2000	Duggan	D6/550

D431,742 S * 10/2000 Chen D6/524

D431,948 S * 10/2000 Chen D6/524

D442,407 S * 5/2001 Solowiej D6/524

* cited by examiner

Primary Examiner—Brian N. Vinson

(74) *Attorney, Agent, or Firm*—Pendorf & Cutliff

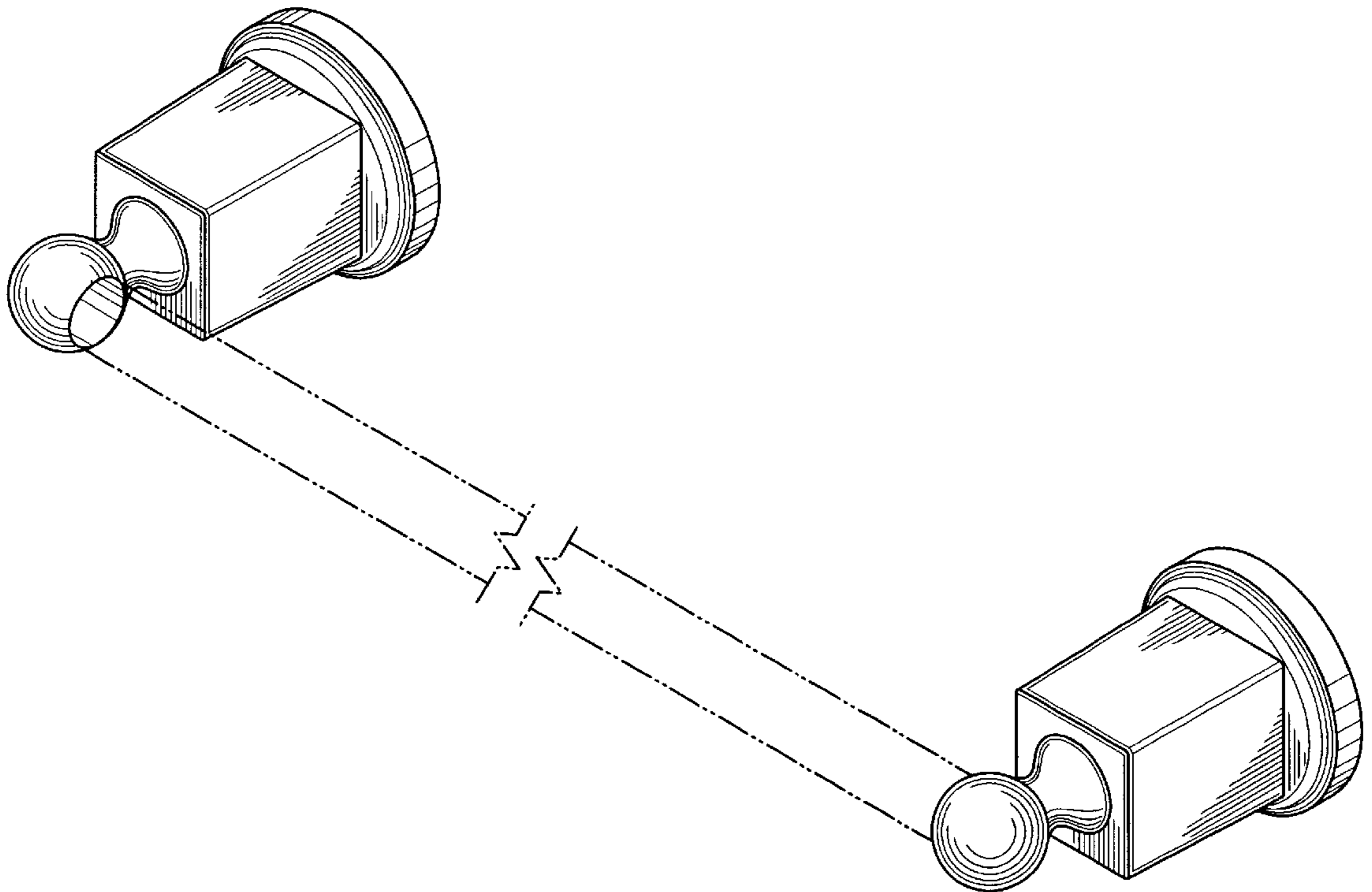
(57) **CLAIM**

The ornamental design for a towel bar end, as shown and described.

DESCRIPTION

FIG. 1 is a perspective of the towel bar end for holding a towel bar rod in accordance with the inventive design; FIG. 2 is a front side view of the towel bar end; FIG. 3 is a back side view of the towel bar end; FIG. 4 is a left side view of the towel bar end; FIG. 5 is a right side view of the towel bar end; FIG. 6 is a bottom view of towel bar end; FIG. 7 is a top view of the towel bar end; and, FIG. 8 is a reduced perspective view of a second embodiment thereof, with the broken-line disclosure of a towel rod being for illustrative purposes only and forming no part of the claimed design.

1 Claim, 3 Drawing Sheets



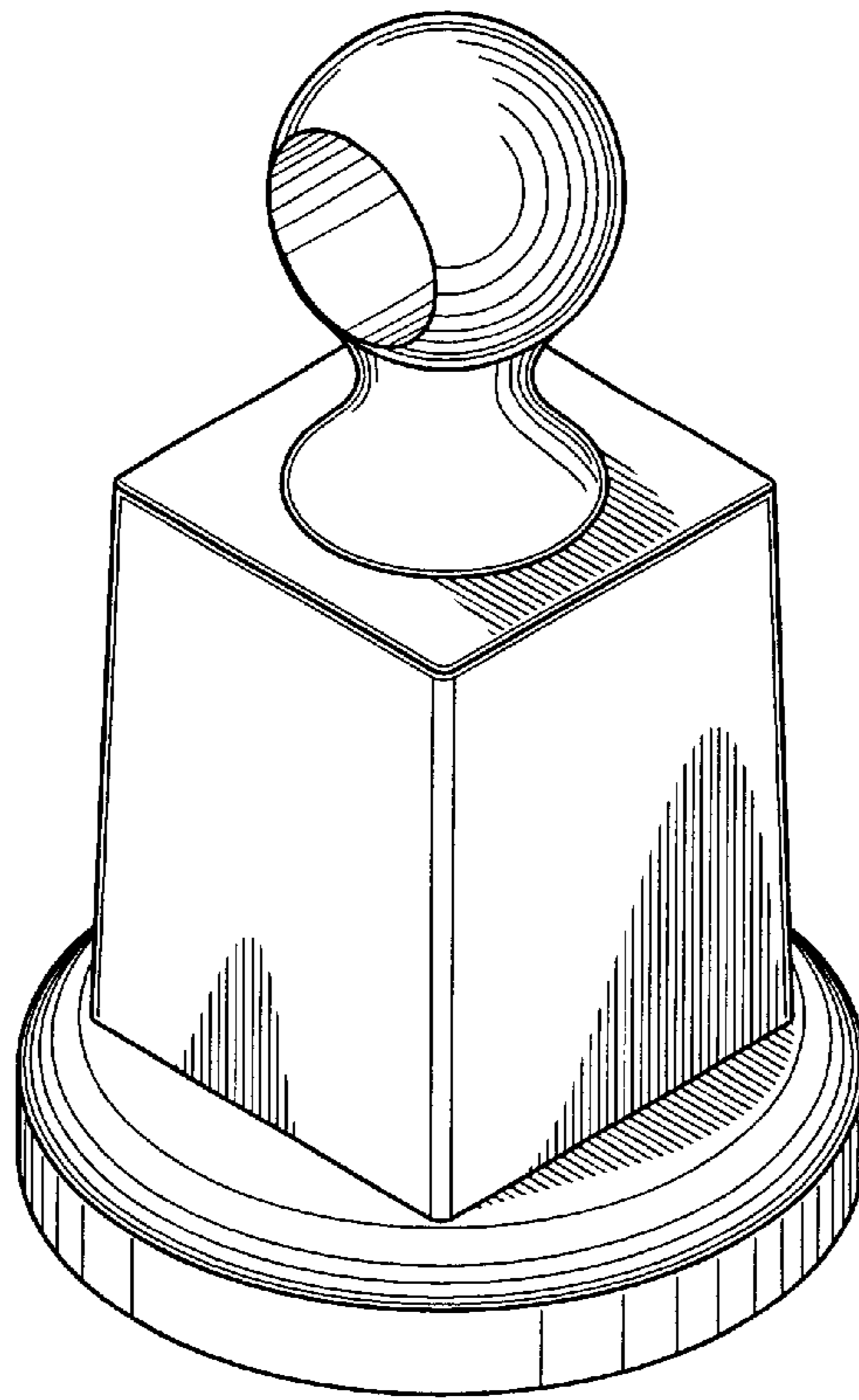


FIG. 1

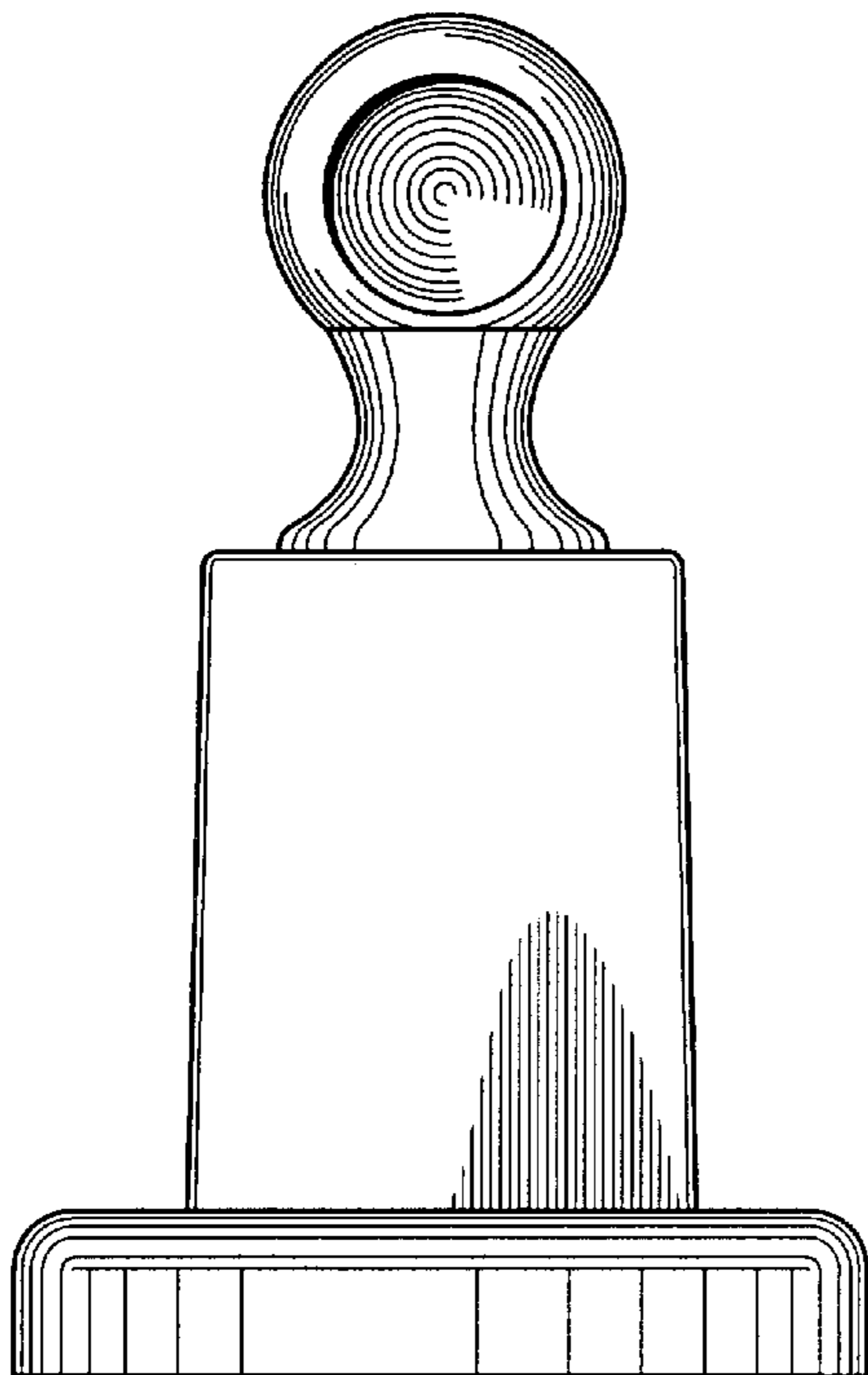


FIG. 2

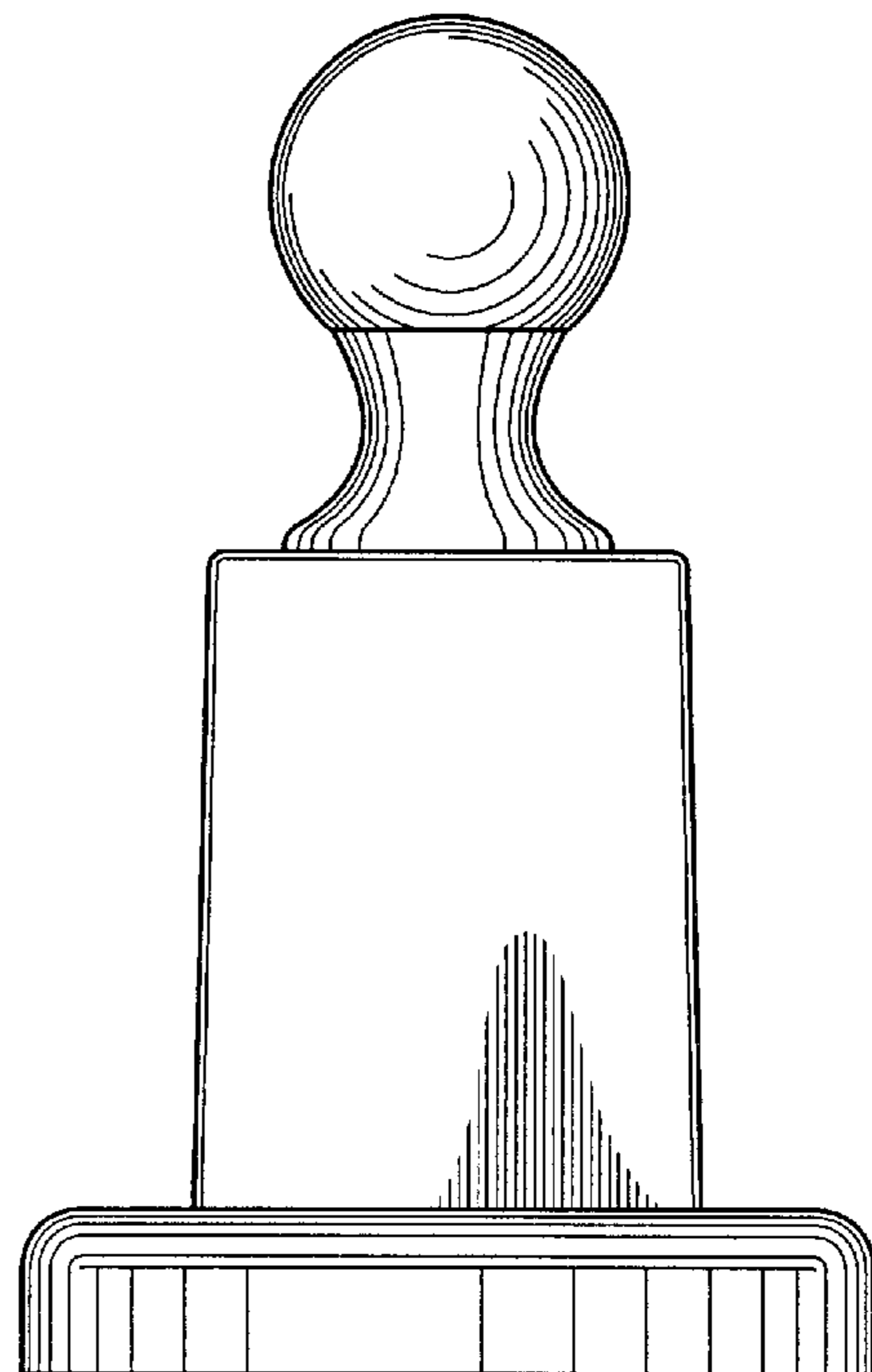


FIG. 3

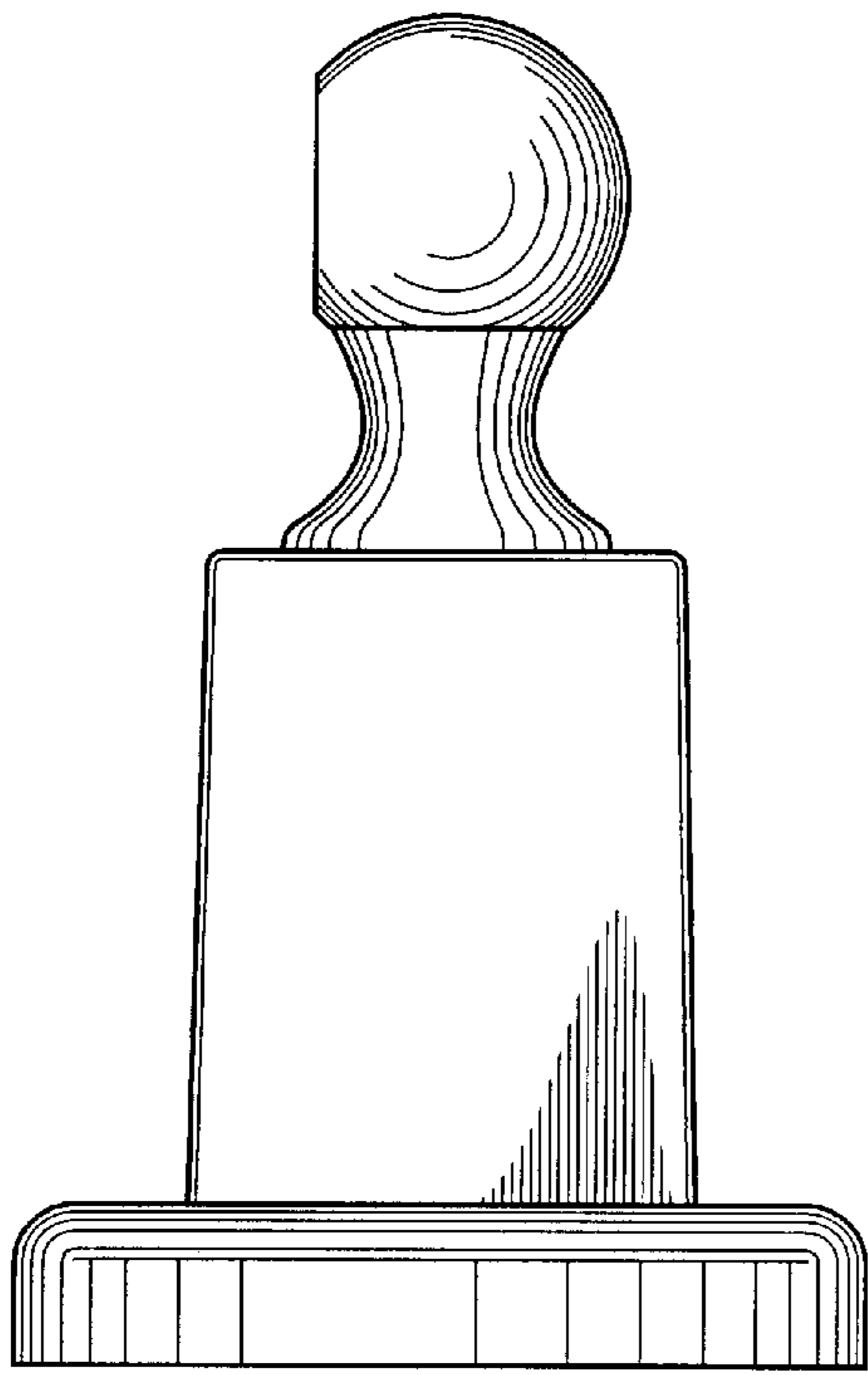


FIG. 4

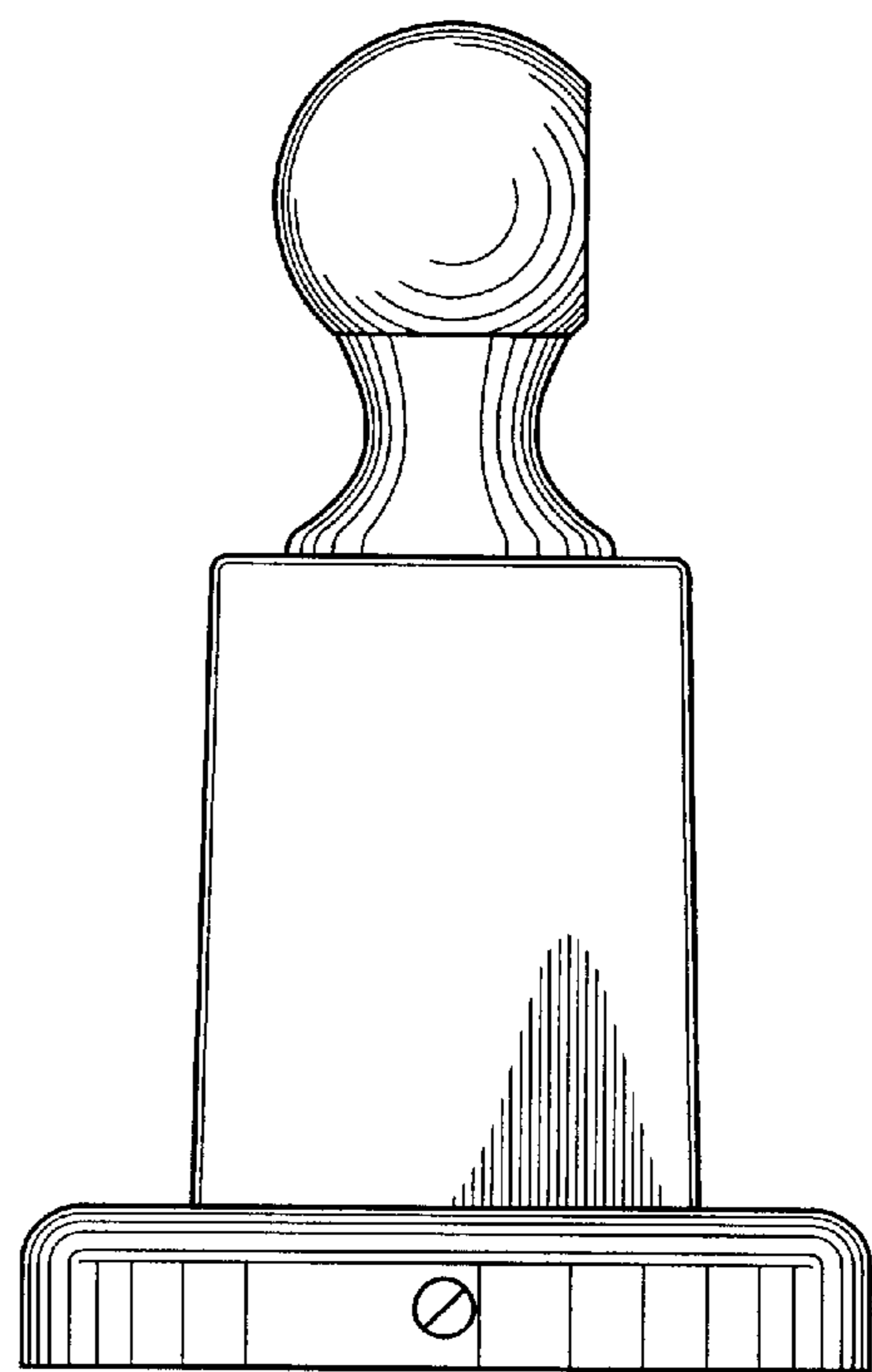


FIG. 5

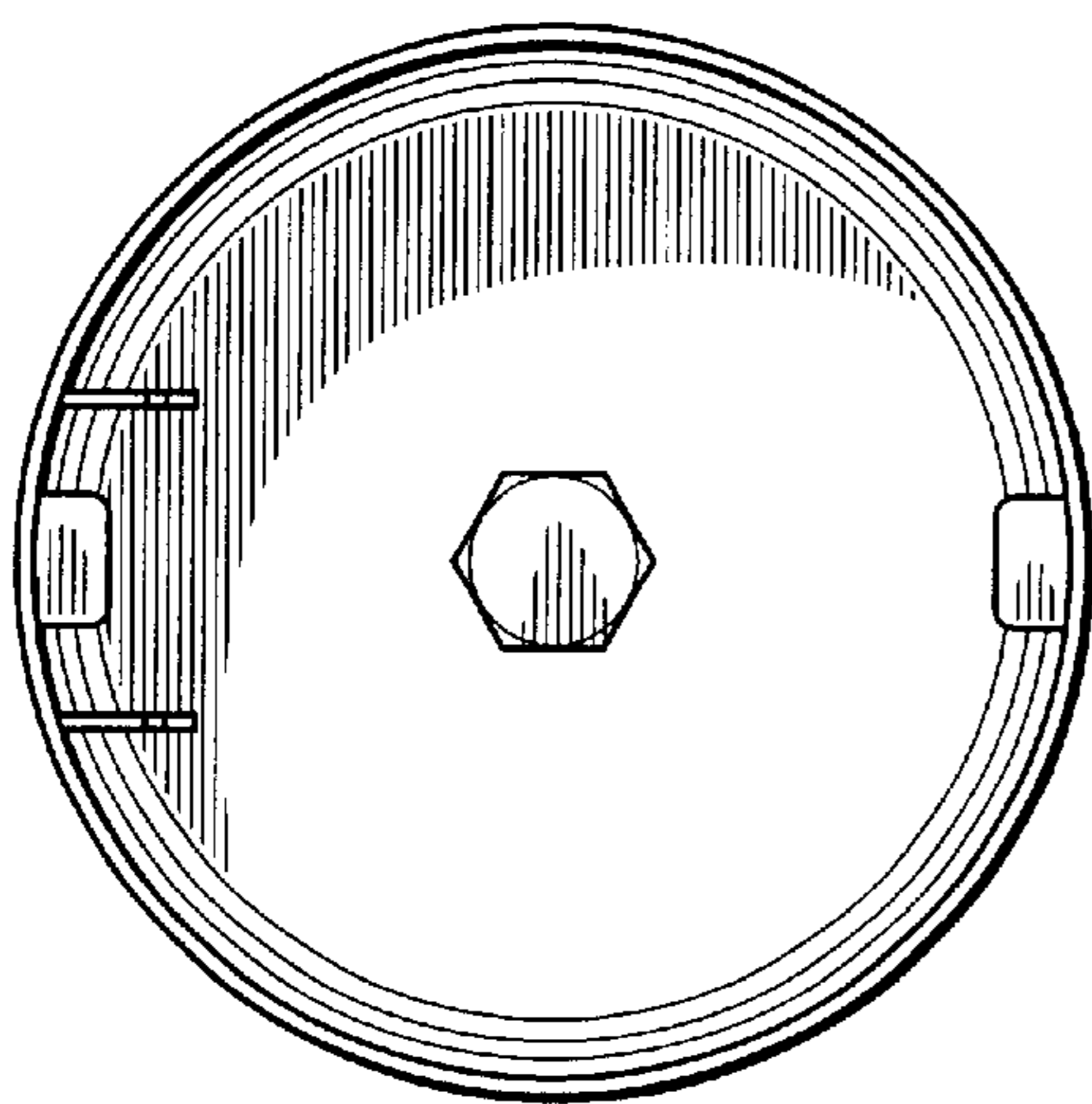


FIG. 6

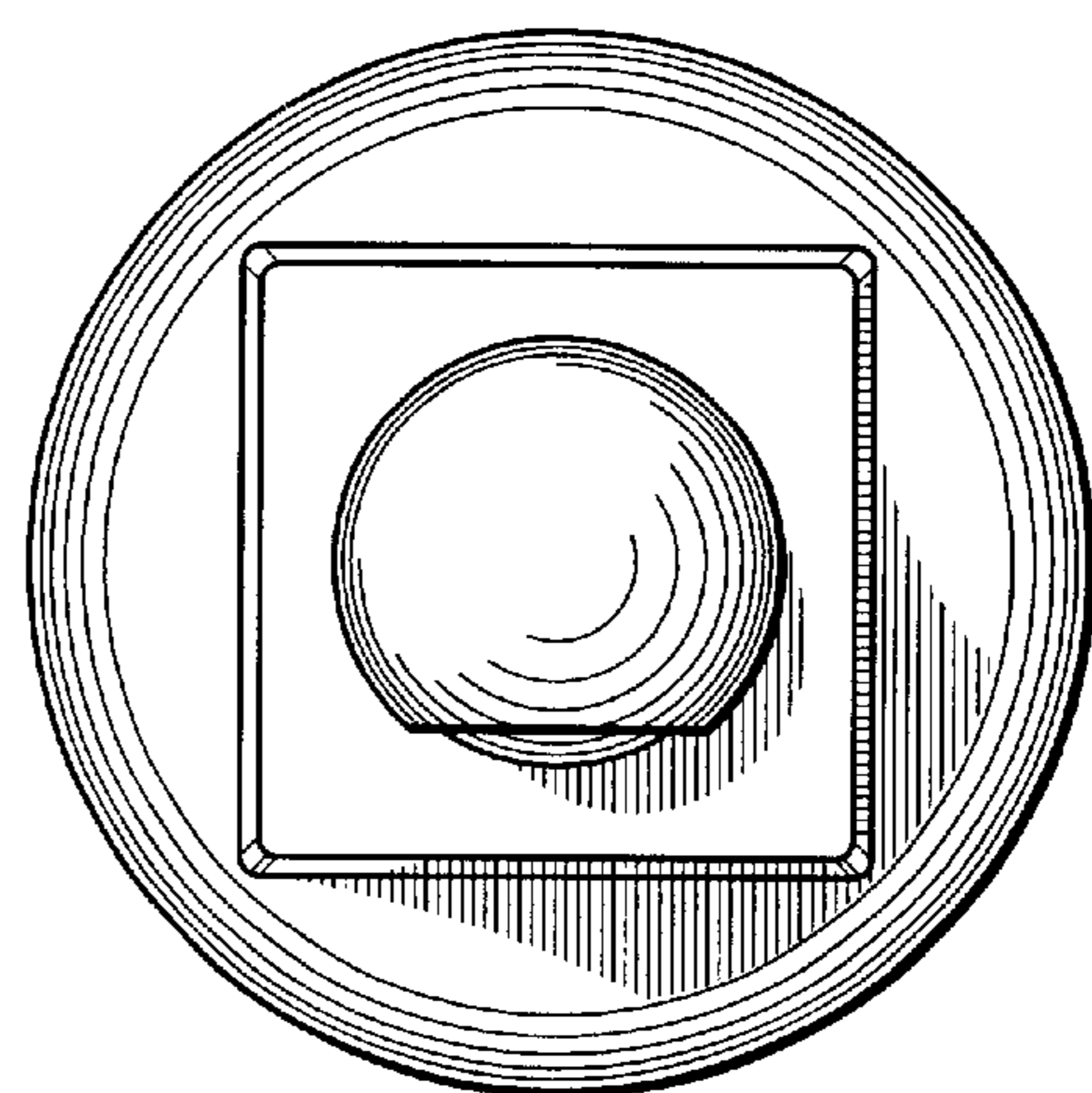


FIG. 7

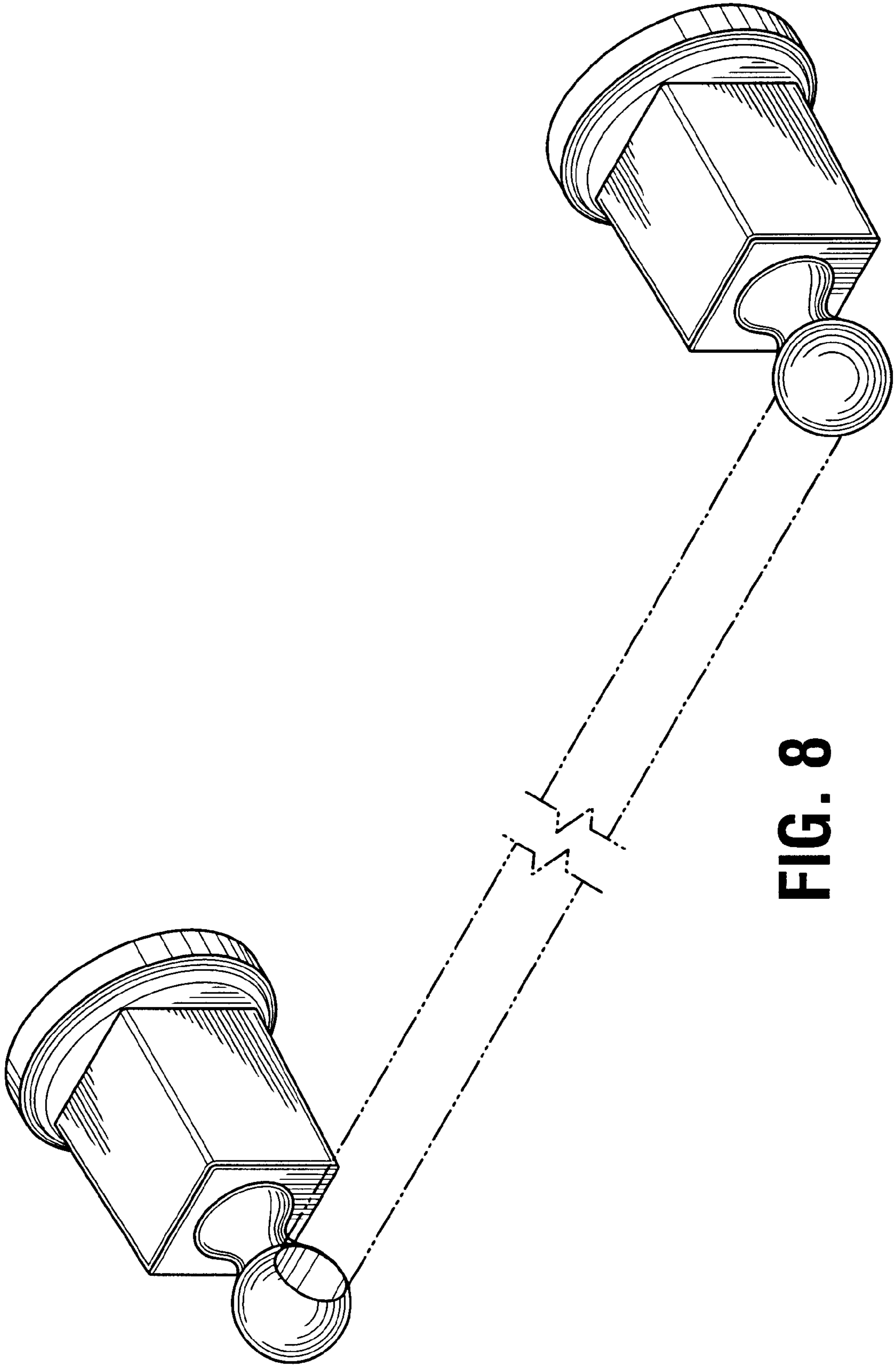


FIG. 8