



US00D454744S

(12) **United States Design Patent**
Ou-Young

(10) **Patent No.:** **US D454,744 S**

(45) **Date of Patent:** **** Mar. 26, 2002**

(54) **POST FOR BATH ACCESSORIES**

(75) **Inventor:** **Ming Ou-Young, Tai Chung (TW)**

(73) **Assignee:** **Globe Union America Corporation,**
Bolingbrook, IL (US)

(**) **Term:** **14 Years**

(21) **Appl. No.:** **29/136,945**

(22) **Filed:** **Feb. 9, 2001**

(51) **LOC (7) Cl.** **06-04**

(52) **U.S. Cl.** **D6/550**

(58) **Field of Search** D6/546-50, 518,
D6/522-24; D8/300, 315-21, 354, 363,
373, 380; 108/28-29; 211/13.1, 16, 60.1,
86.01, 87.01, 88.04, 100, 105.1-105.2,
123, 181.1, 182; 248/175, 176.1, 251, 302;
16/110.1, 412, 415; 242/570, 590, 595-598;
206/389

(56) **References Cited**

U.S. PATENT DOCUMENTS

D357,379 S	*	4/1995	Lehn et al.	D6/549
D361,006 S		8/1995	Sharpe		
D377,570 S		1/1997	Sharpe		
D390,393 S		2/1998	Sharpe		
D391,105 S		2/1998	Sharpe		
D392,138 S		3/1998	Wu		
D392,139 S	*	3/1998	Wu	D6/549
D393,166 S		4/1998	Sharpe		
D394,971 S		6/1998	Moore		

D395,371 S		6/1998	Sharpe		
D398,451 S		9/1998	Sharpe		
D406,484 S		3/1999	Wu		
D409,029 S		5/1999	Harris		
D417,995 S	*	12/1999	Chen	D6/550
D421,895 S		3/2000	Snell		
D424,352 S	*	5/2000	Roth et al.	D6/549
D429,998 S		8/2000	Snell		

* cited by examiner

Primary Examiner—Brian N. Vinson

(74) *Attorney, Agent, or Firm*—Brinks Hofer Gilson & Lione

(57) **CLAIM**

The ornamental design for a post for bath accessories, as shown and described.

DESCRIPTION

FIG. 1 is a perspective view showing our new design.
 FIG. 2 is a front view thereof.
 FIG. 3 is a bottom view thereof.
 FIG. 4 is a side view thereof.
 FIG. 5 is a side view thereof.
 FIG. 6 is a back view thereof.
 FIG. 7 is a perspective view showing a second embodiment of our new design.
 FIG. 8 is a front view thereof; and,
 FIG. 9 is a bottom view thereof.
 The broken line showing of environment is for illustrative purposes only and forms no part of the claimed design.

1 Claim, 2 Drawing Sheets

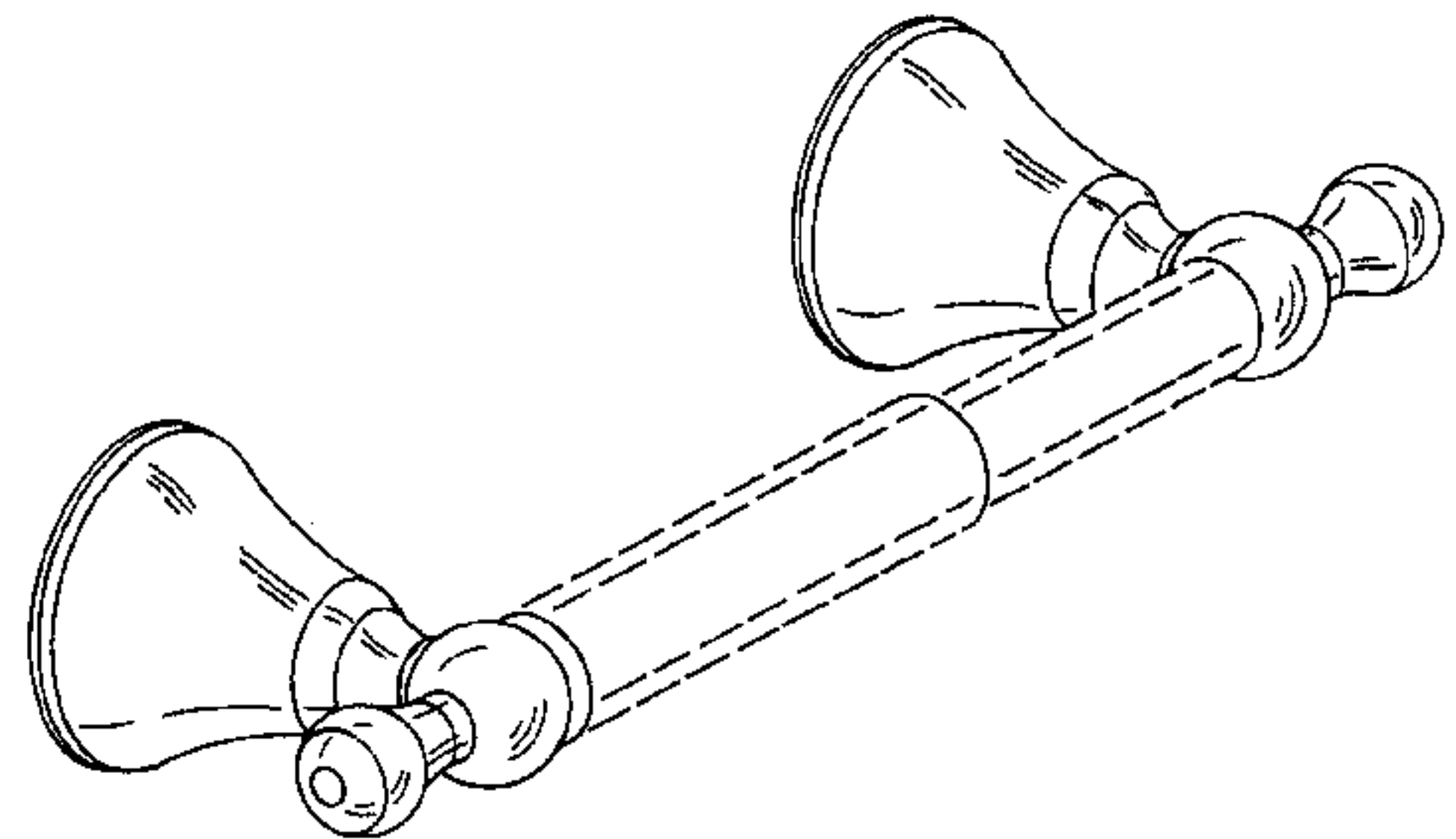
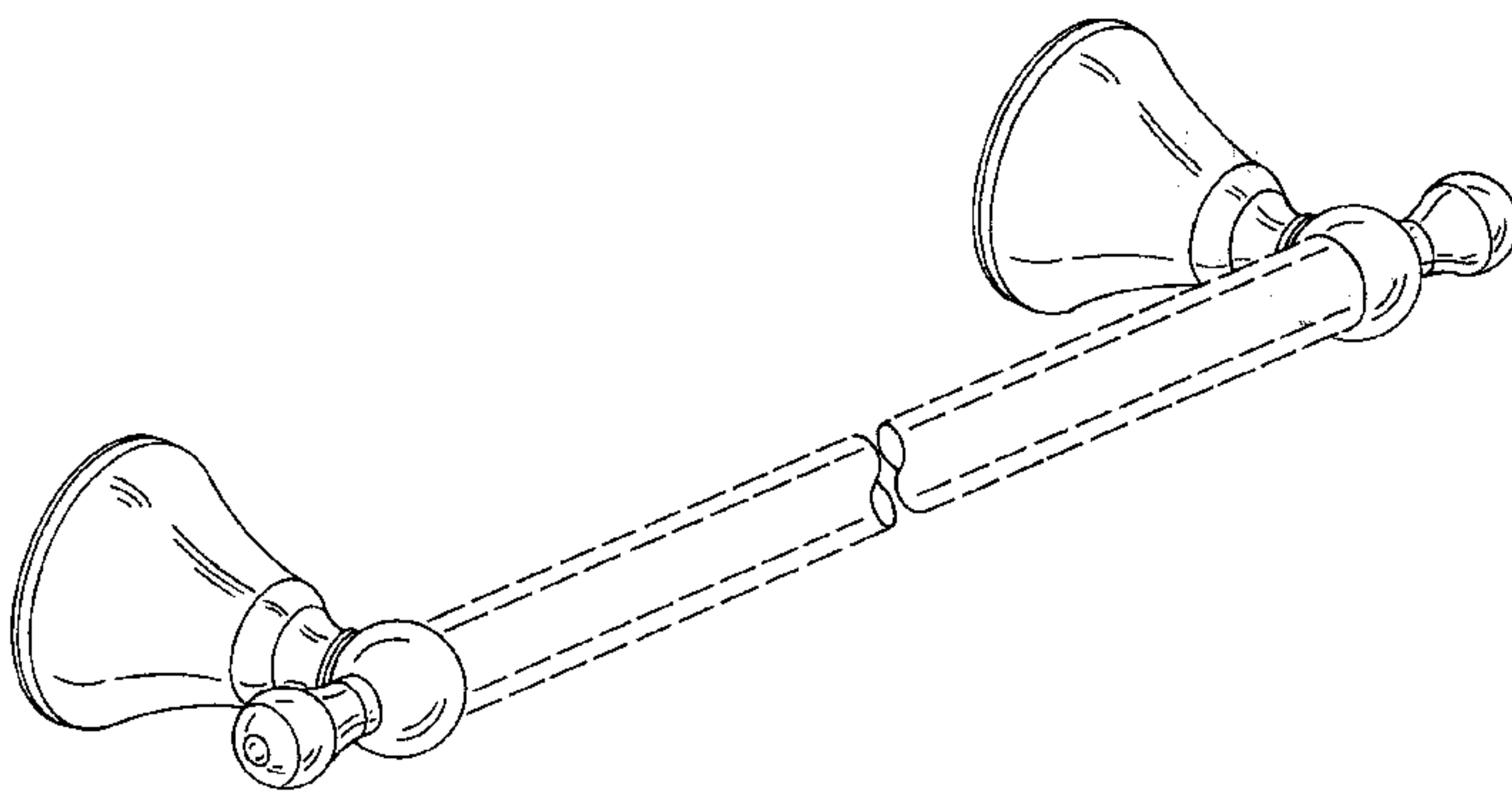


FIG. 1

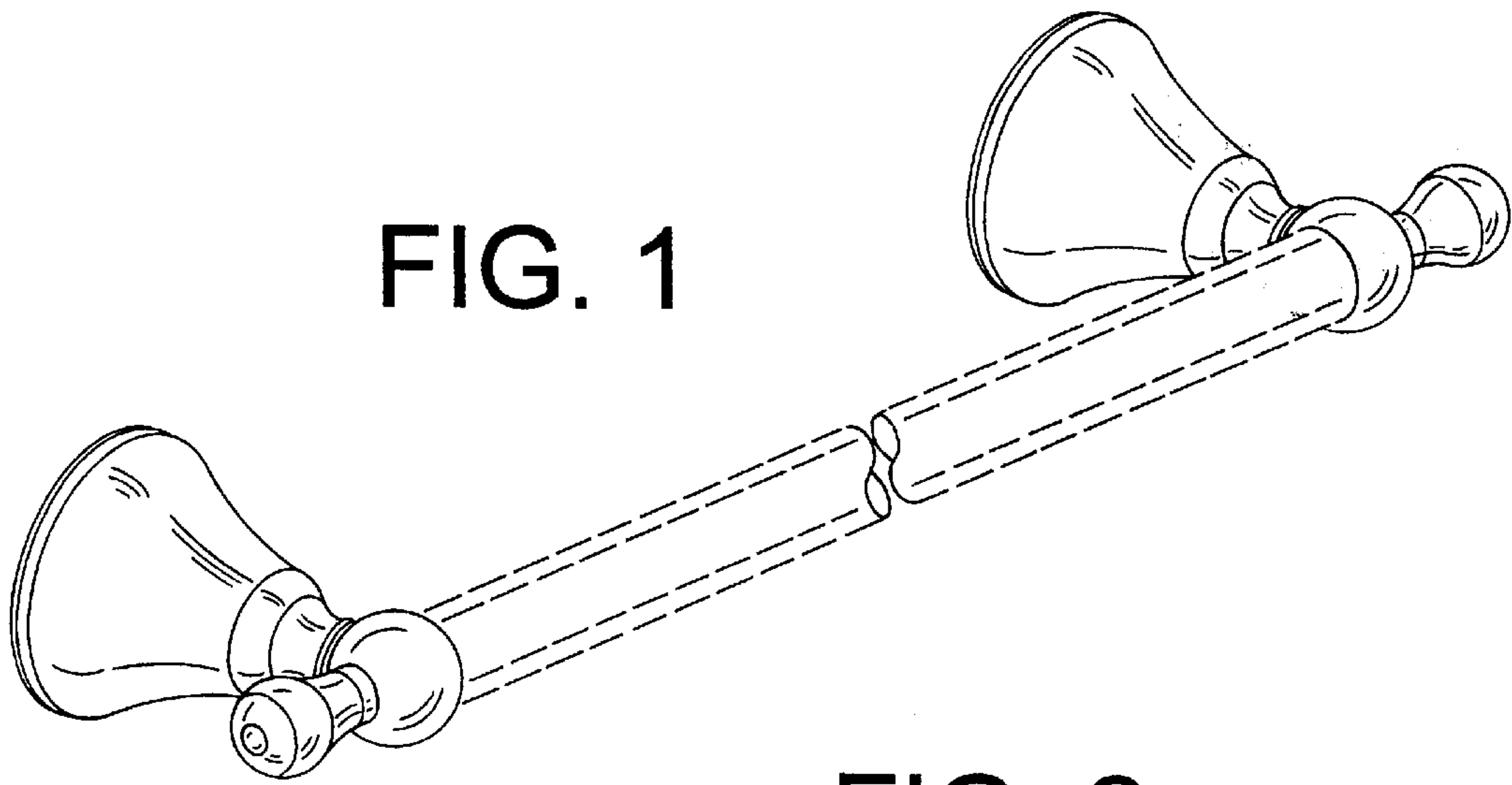


FIG. 2

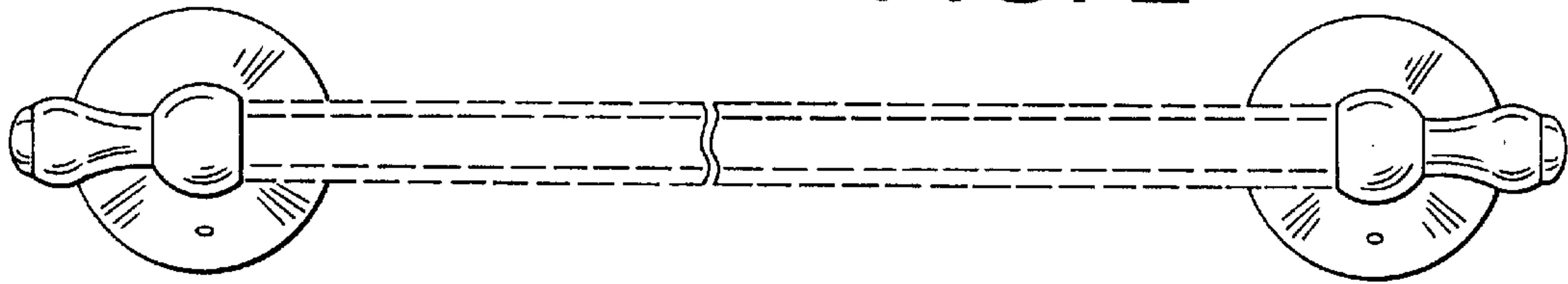


FIG. 3

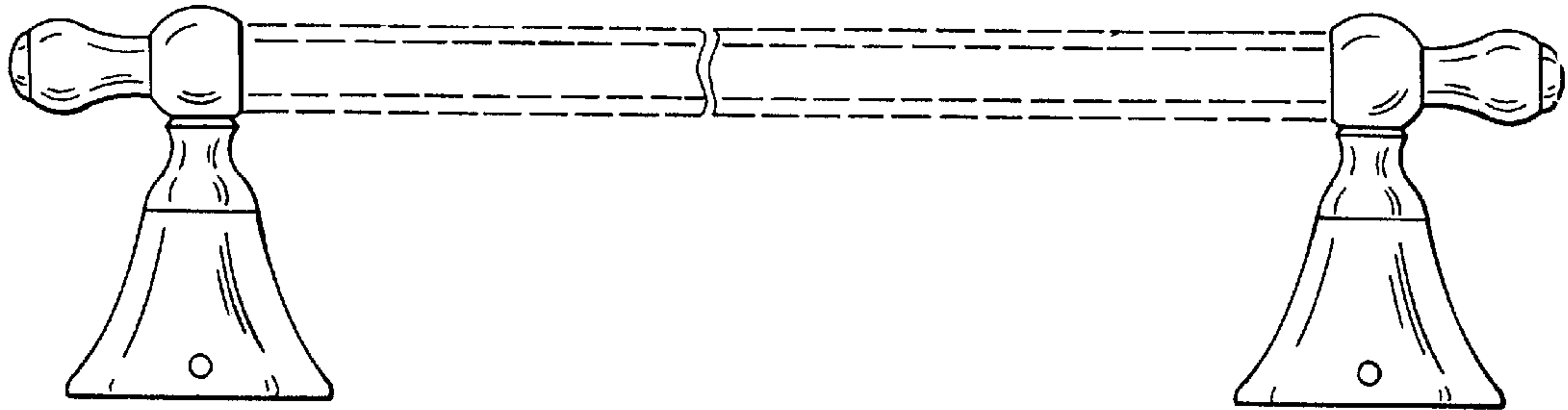


FIG. 4

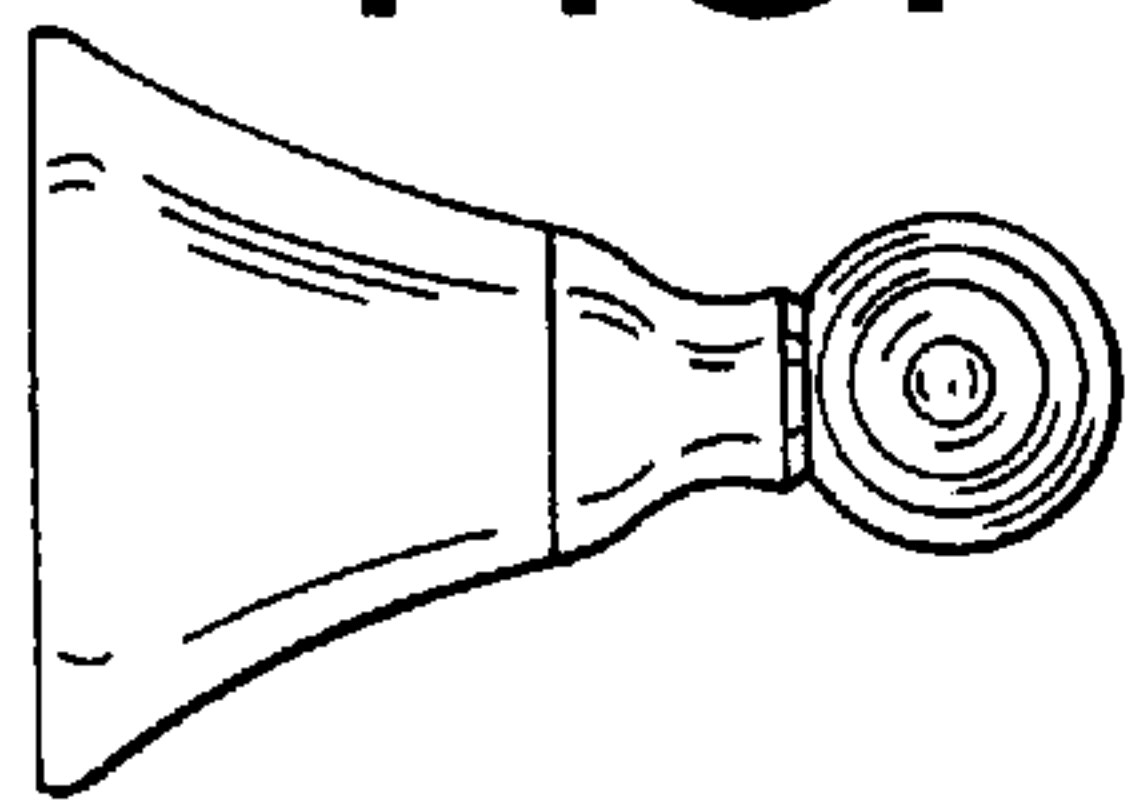


FIG. 5

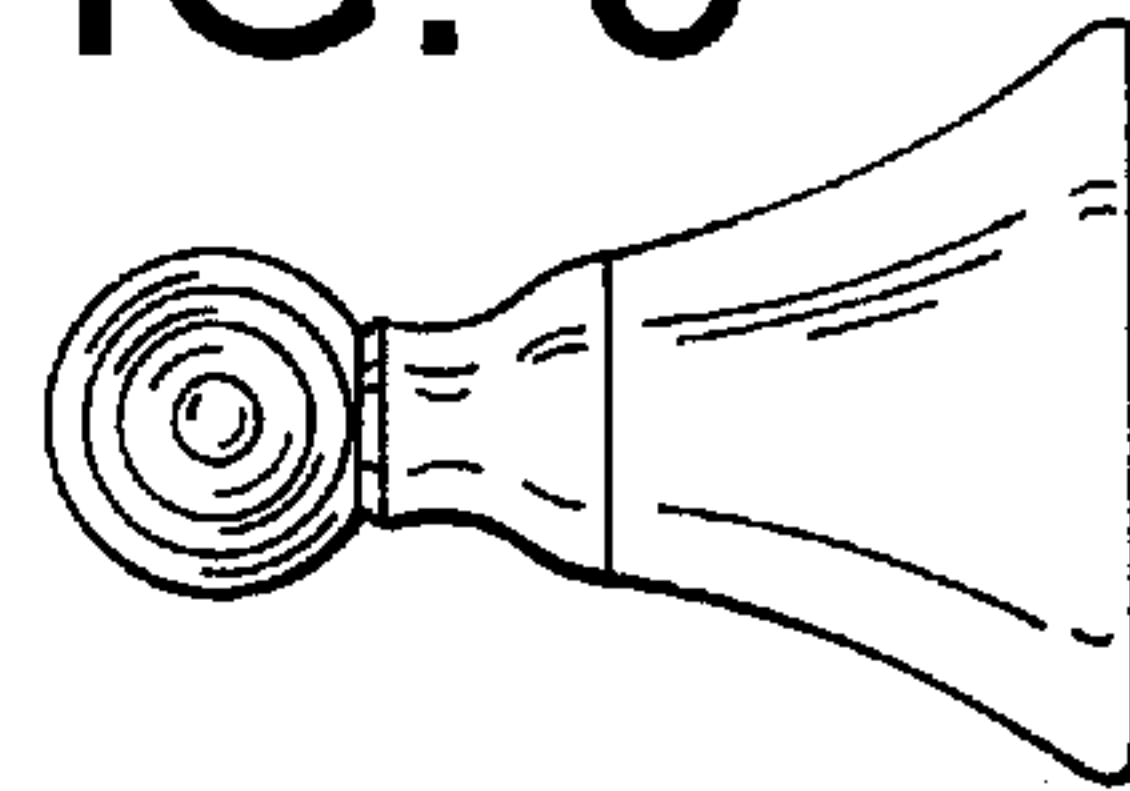


FIG. 6

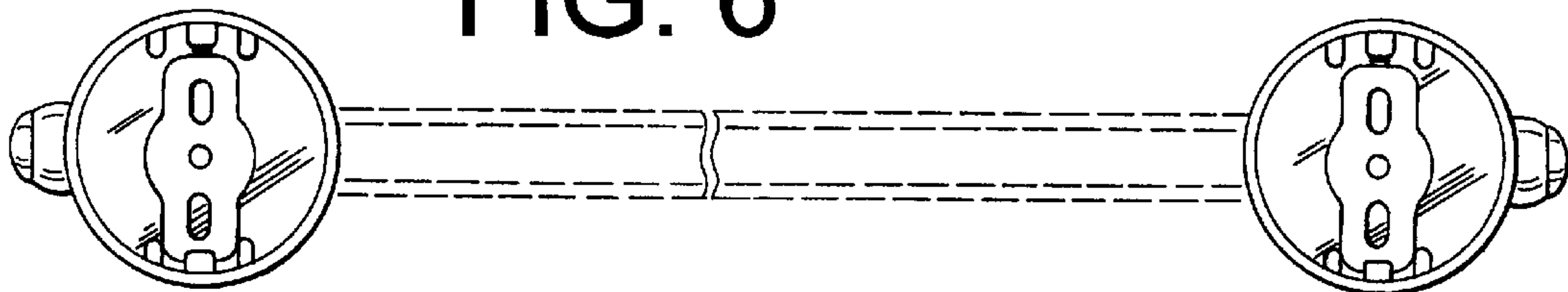


FIG. 7

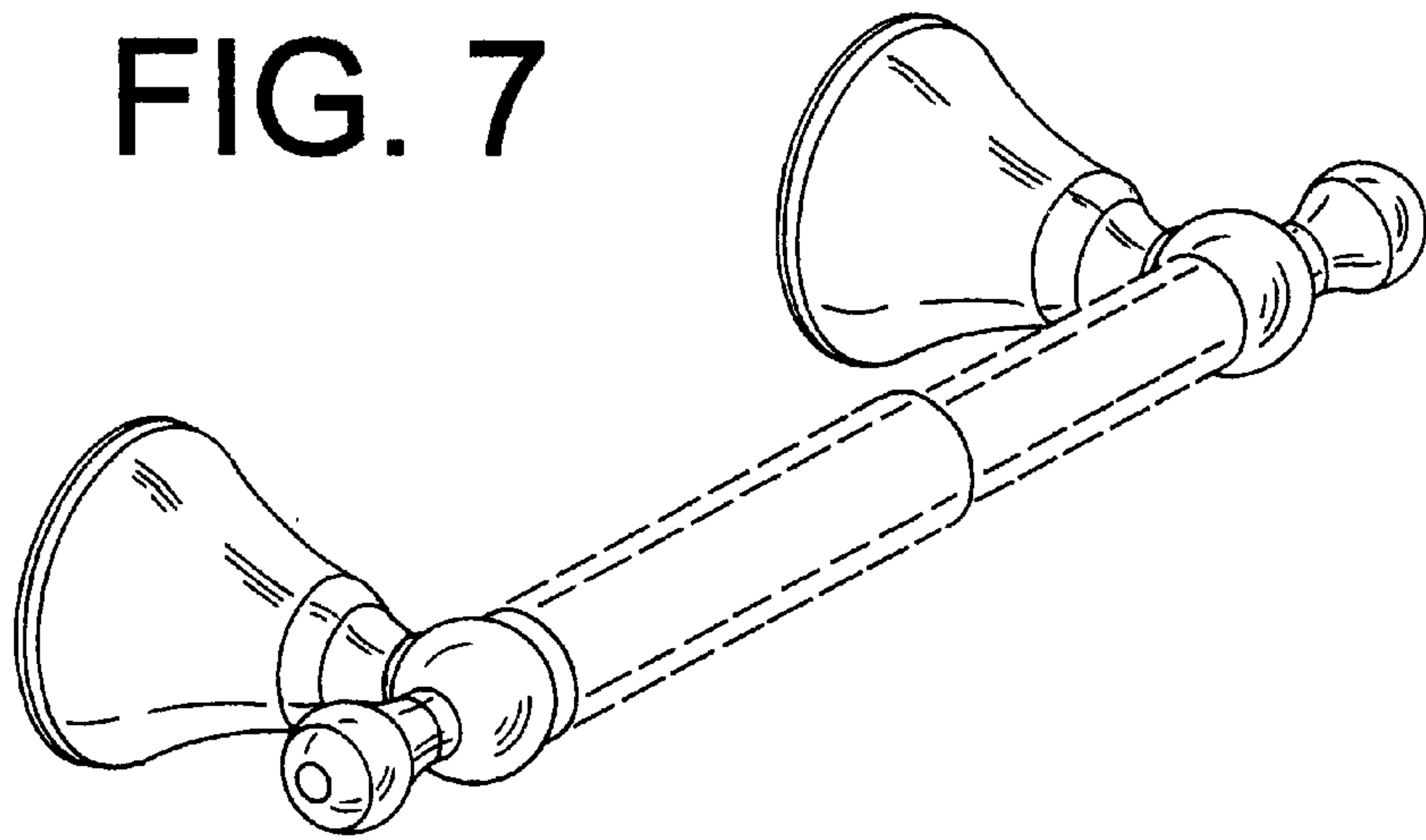


FIG. 8

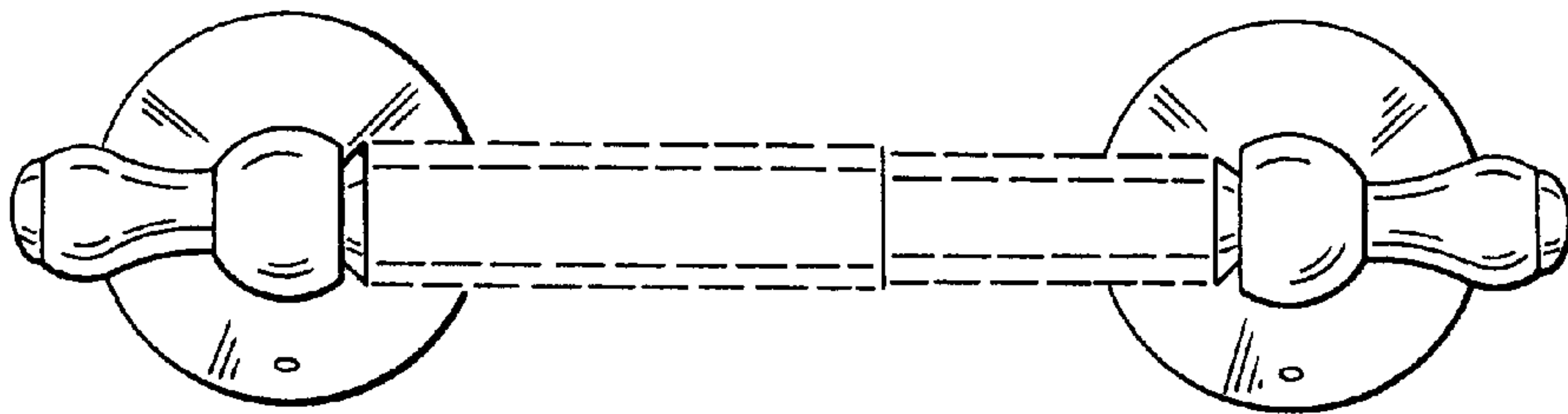
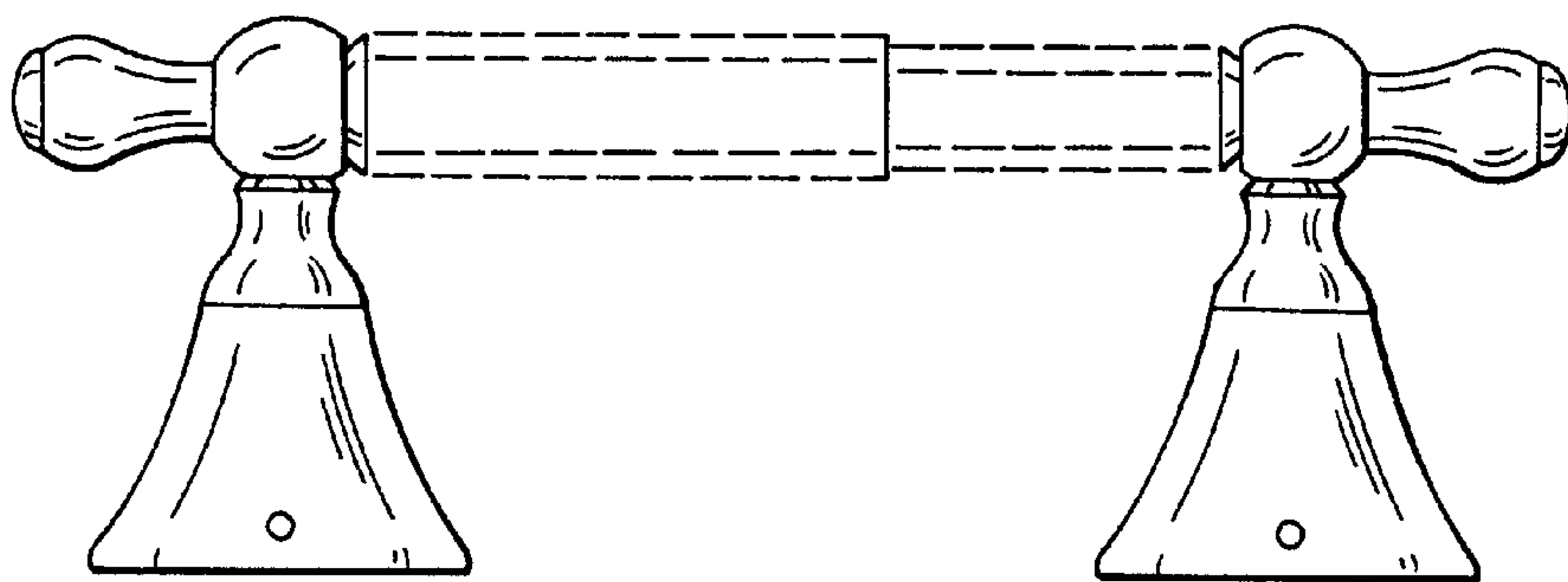


FIG. 9



UNITED STATES PATENT AND TRADEMARK OFFICE
CERTIFICATE OF CORRECTION

PATENT NO. : Des. 454,744 S
DATED : March 26, 2002
INVENTOR(S) : Horng-Yih Chou

Page 1 of 1

It is certified that error appears in the above-identified patent and that said Letters Patent is hereby corrected as shown below:

Title page,

Item [12], delete “**Ou-Young**” and substitute -- **Chou** -- in its place.

Item [75], delete “**Ming Ou-Young**” and substitute -- **Horng-Yih Chou** -- in its place.

Signed and Sealed this

Twenty-fifth Day of February, 2003

A handwritten signature in black ink, appearing to read 'James E. Rogan', written over a horizontal line.

JAMES E. ROGAN

Director of the United States Patent and Trademark Office