



US00D454743S

(12) **United States Design Patent**  
**Ou-Young**

(10) **Patent No.:** **US D454,743 S**

(45) **Date of Patent:** **\*\* Mar. 26, 2002**

(54) **TOWEL BAR**

(75) **Inventor:** **Ming Ou-Young, Tai Chung (TW)**

(73) **Assignee:** **Globe Union America Corporation,**  
**Bolingbrook, IL (US)**

(\*\*) **Term:** **14 Years**

(21) **Appl. No.:** **29/136,930**

(22) **Filed:** **Feb. 9, 2001**

(51) **LOC (7) Cl.** ..... **06-04**

(52) **U.S. Cl.** ..... **D6/549**

(58) **Field of Search** ..... D6/546-50, 518,  
D6/522-24; D8/300, 307-308, 315-21;  
108/28-29; 211/13.1, 16, 60.1, 86.01, 87.01,  
88.04, 100, 105.1-105.2, 123, 181.1, 182;  
242/570, 590, 595, 597-98; 248/175, 176.1,  
251, 302; 16/110.1, 412, 415

(56) **References Cited**

**U.S. PATENT DOCUMENTS**

- D259,753 S \* 7/1981 Fleischmann et al. .... D6/549
- D361,006 S 8/1995 Sharpe
- D361,460 S \* 8/1995 Warshawsky ..... D6/549
- D377,570 S 1/1997 Sharpe
- D390,393 S 2/1998 Sharpe
- D391,105 S 2/1998 Sharpe
- D392,138 S 3/1998 Wu

- D392,139 S 3/1998 Wu
- D393,166 S 4/1998 Sharpe
- D394,971 S 6/1998 Moore
- D395,371 S 6/1998 Sharpe
- D398,451 S 9/1998 Sharpe
- D406,484 S 3/1999 Wu
- D409,029 S 5/1999 Harris
- D417,995 S \* 12/1999 Chen ..... D6/550
- D421,895 S 3/2000 Snell
- D424,352 S \* 5/2000 Roth et al. .... D6/549
- D426,095 S \* 6/2000 Chen ..... D6/549
- D427,471 S \* 7/2000 Chen ..... D6/549
- D429,998 S 8/2000 Snell

\* cited by examiner

*Primary Examiner*—Brian N. Vinson

(74) *Attorney, Agent, or Firm*—Brinks Hofer Gilson & Lione

(57) **CLAIM**

The ornamental design for a towel bar, as shown and described.

**DESCRIPTION**

FIG. 1 is a perspective view showing our new design.

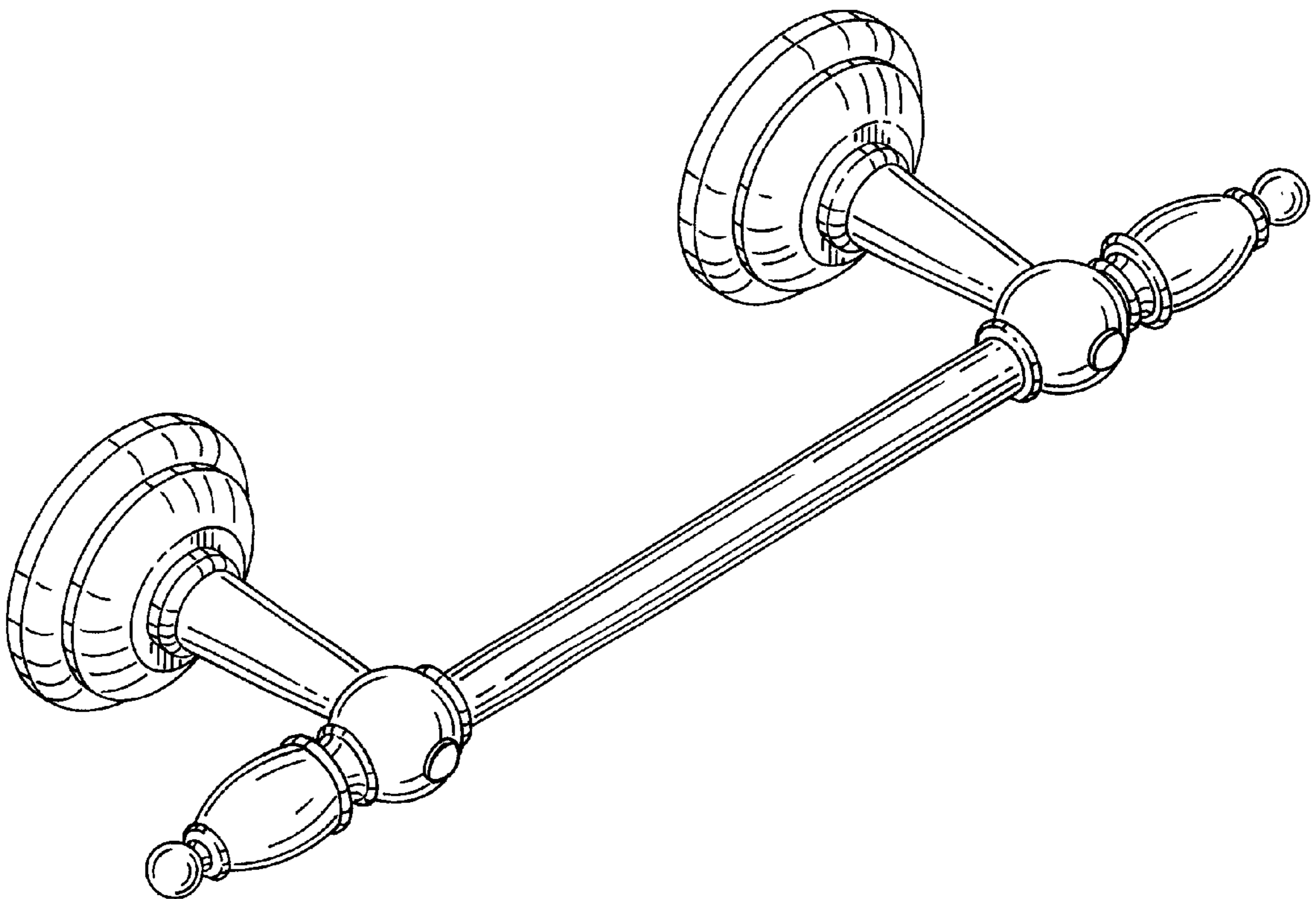
FIG. 2 is a front view thereof.

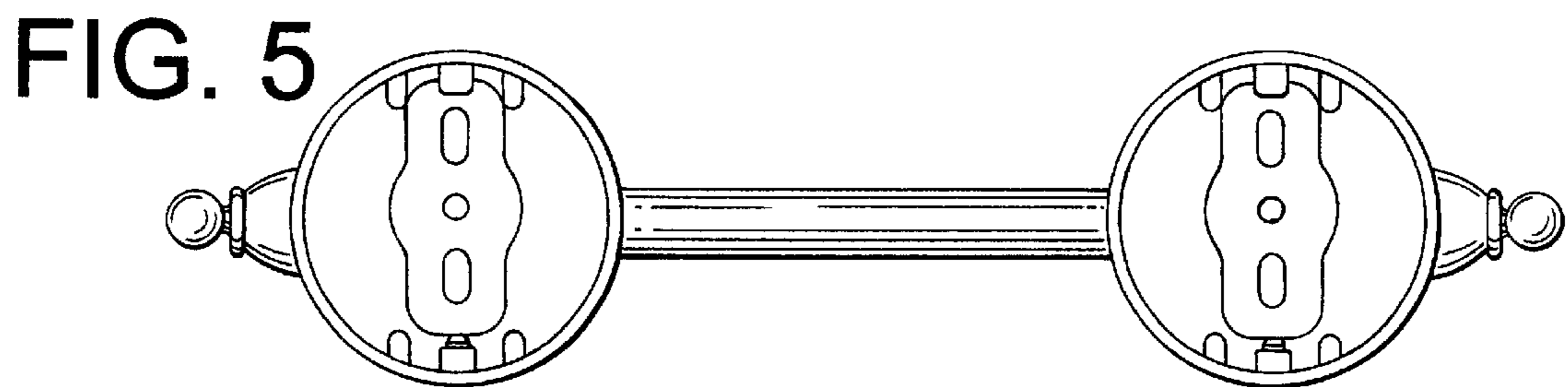
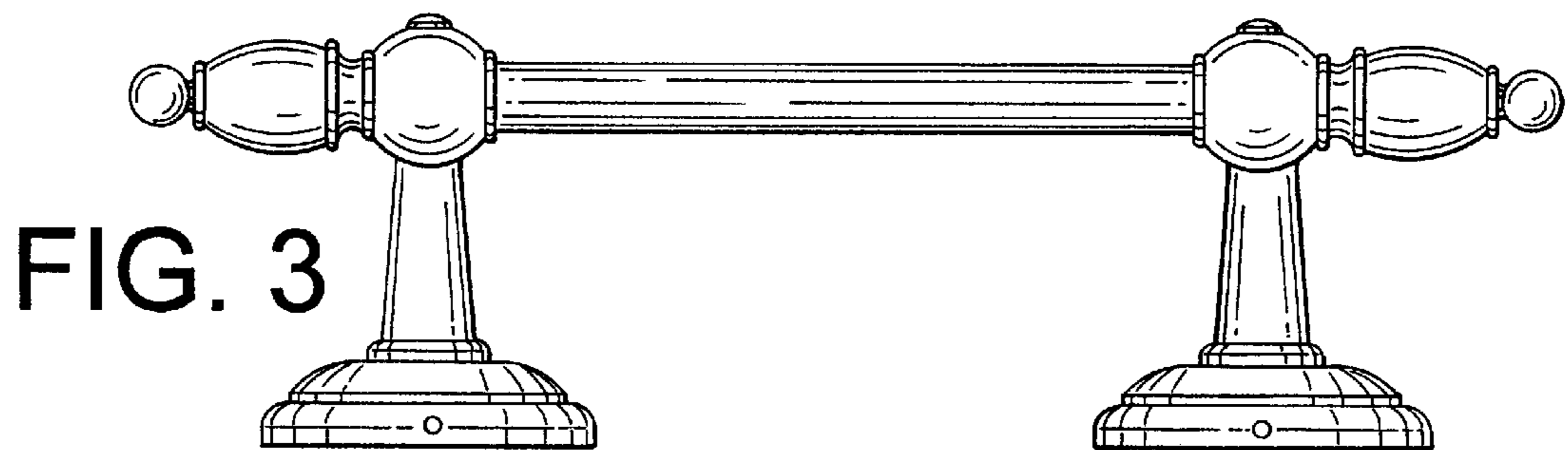
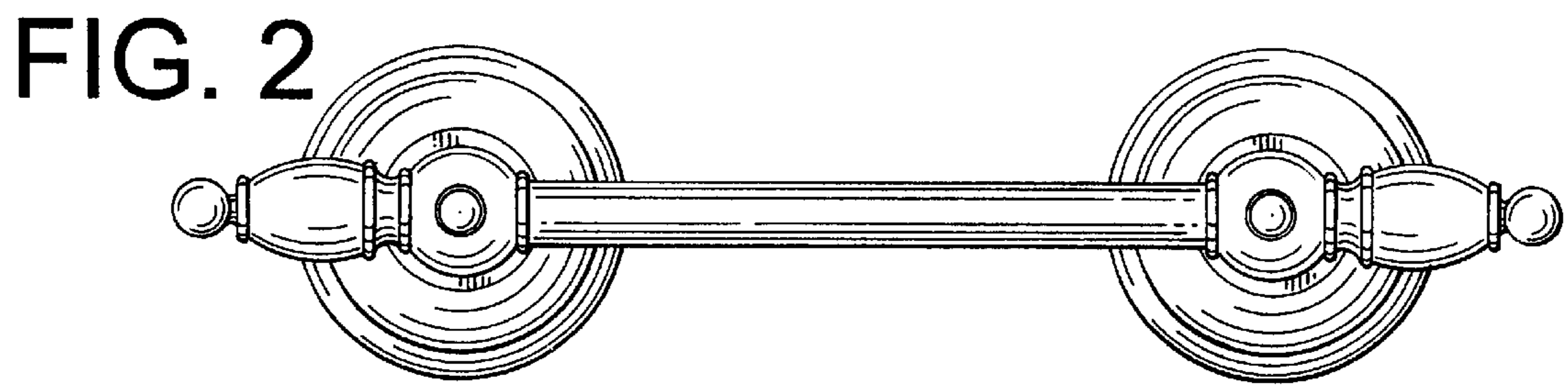
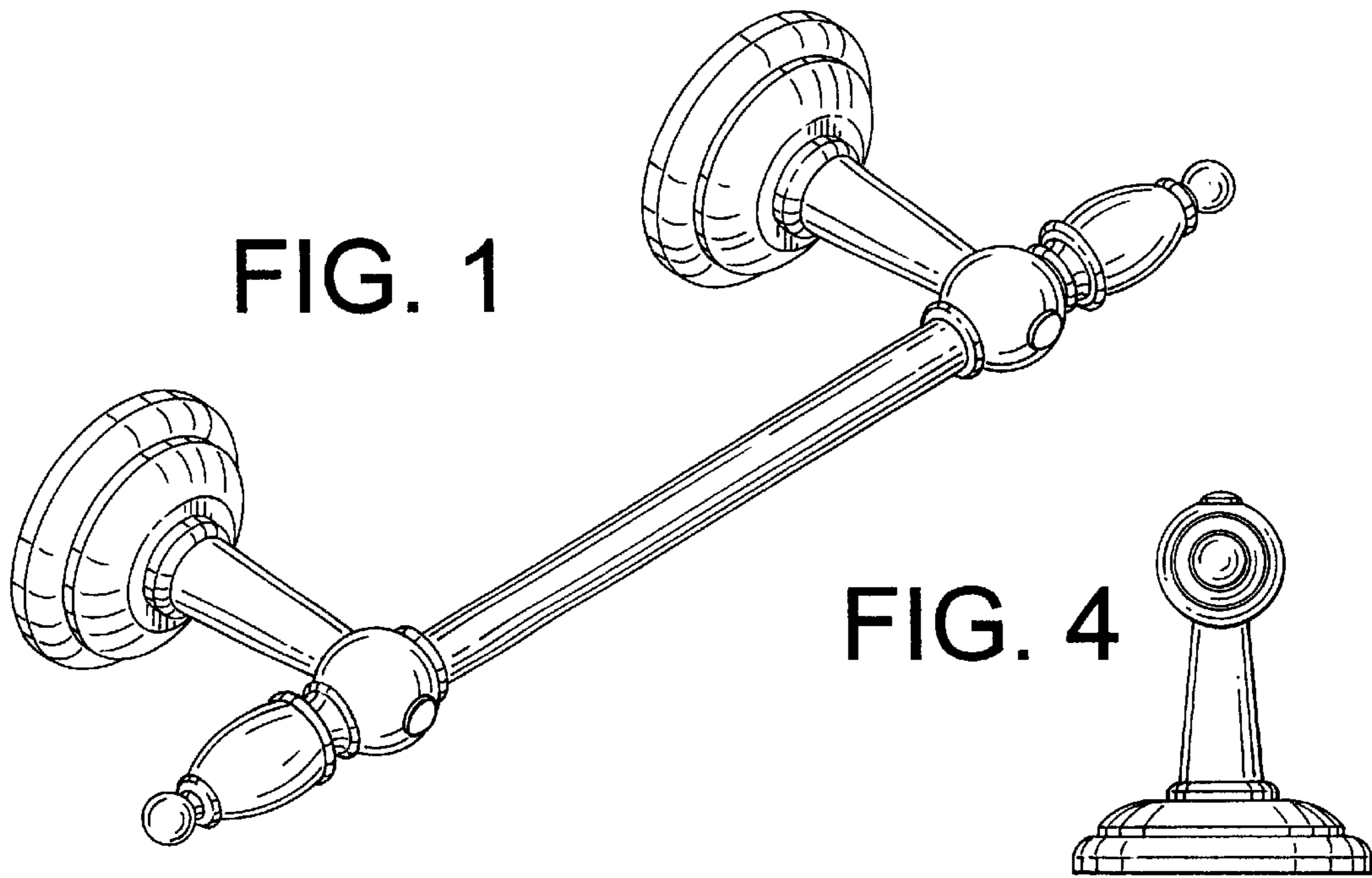
FIG. 3 is a top view thereof.

FIG. 4 is a side view thereof; and,

FIG. 5 is a bottom view thereof.

**1 Claim, 1 Drawing Sheet**





UNITED STATES PATENT AND TRADEMARK OFFICE  
**CERTIFICATE OF CORRECTION**

PATENT NO. : Des. 454,743 S  
DATED : March 26, 2002  
INVENTOR(S) : Horng-Yih Chou

Page 1 of 1

It is certified that error appears in the above-identified patent and that said Letters Patent is hereby corrected as shown below:

Title page

Item [12], delete “**Ou-Young**” and substitute -- **Chou** -- in its place.

Item [75], delete “**Ming Ou-Young,**” and substitute -- **Horng-Yih Chou,** -- in its place.

Signed and Sealed this

Twenty-ninth Day of April, 2003

A handwritten signature in black ink, appearing to read "James E. Rogan", written over a horizontal line.

JAMES E. ROGAN  
*Director of the United States Patent and Trademark Office*