



US00D454740S

(12) **United States Design Patent**
Baggott

(10) **Patent No.:** **US D454,740 S**

(45) **Date of Patent:** **** Mar. 26, 2002**

(54) **TOOTHBRUSH HOLDER**

D363,850 S * 11/1995 Towler D6/552

(76) **Inventor:** **Sandra A. Baggott**, 8031 N. 91st St.,
Milwaukee, WI (US) 53224

* cited by examiner

(**) **Term:** **14 Years**

Primary Examiner—Brian N. Vinson

(74) *Attorney, Agent, or Firm*—Joseph S. Heino

(21) **Appl. No.:** **29/129,807**

(57) **CLAIM**

(22) **Filed:** **Sep. 21, 2000**

The ornamental design for a toothbrush holder, as shown and described.

(51) **LOC (7) Cl.** **23-02**

DESCRIPTION

(52) **U.S. Cl.** **D6/534**

(58) **Field of Search** D6/552, 553, 567,
D6/569, 572, 573, 528, 534; 206/209, 209.1,
361, 362, 362.1, 362.2, 362.3; 211/13.1,
65

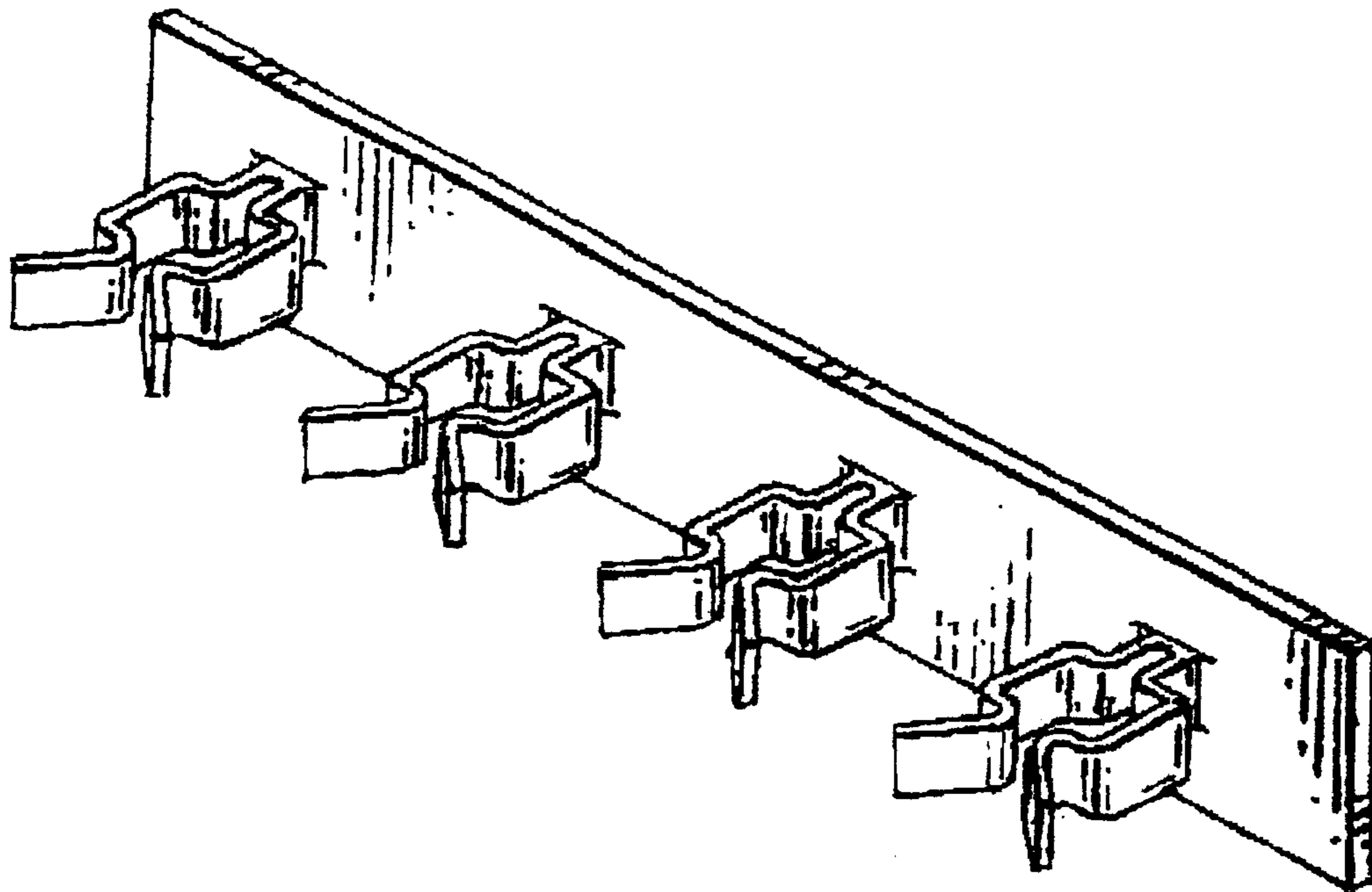
FIG. 1 is a right side, top and front perspective view of the toothbrush holder showing my new design;
FIG. 2 is a right side elevational view thereof, the left side elevational view being a mirror image;
FIG. 3 is a top plan view thereof, the bottom plan view being a mirror image;
FIG. 4 is a front elevational view thereof; and,
FIG. 5 is a rear elevational view thereof.

(56) **References Cited**

U.S. PATENT DOCUMENTS

D58,724 S * 8/1921 Denis D6/571
D175,455 S * 8/1955 Bartleman D6/572

1 Claim, 1 Drawing Sheet



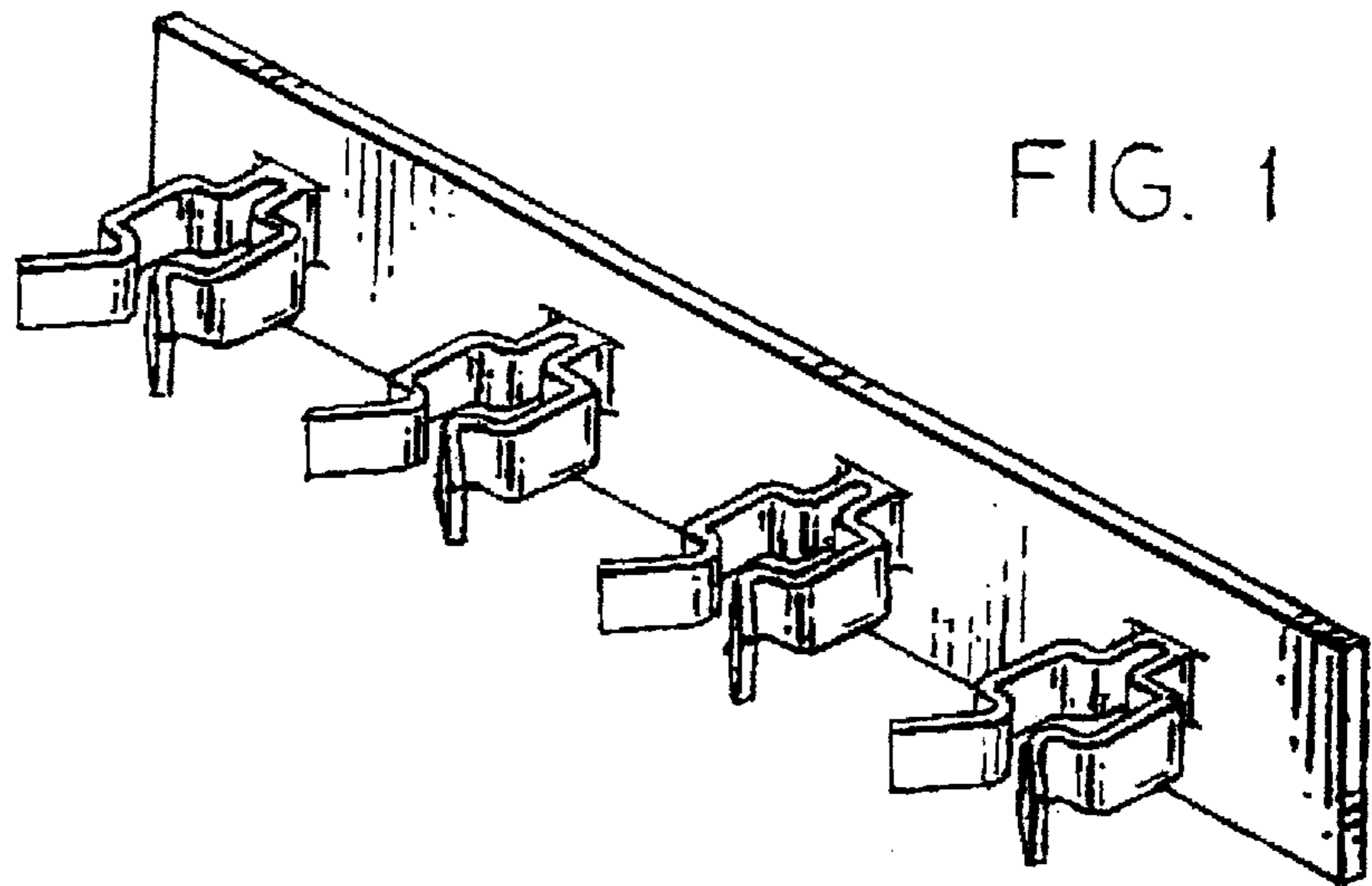


FIG. 1

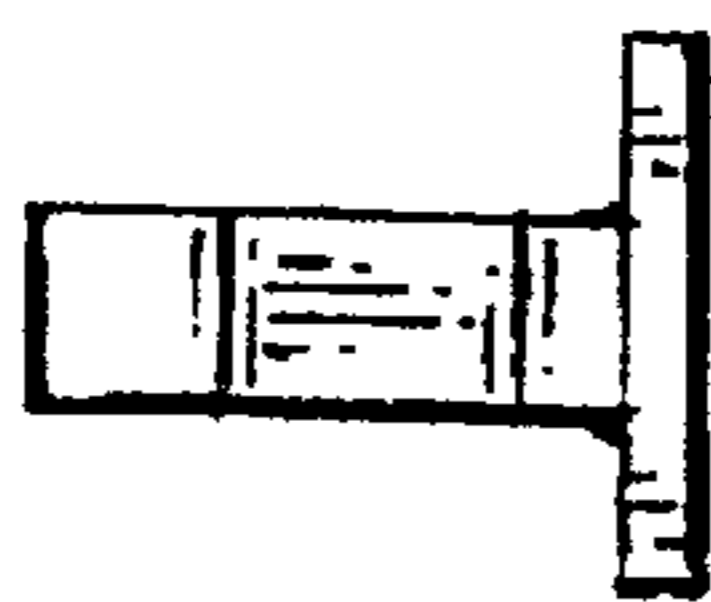


FIG. 2

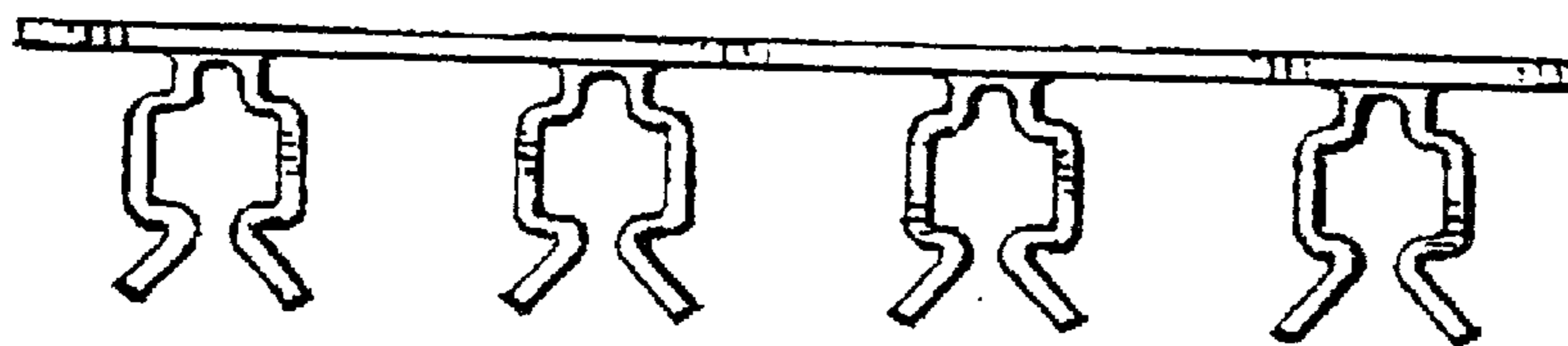


FIG. 3

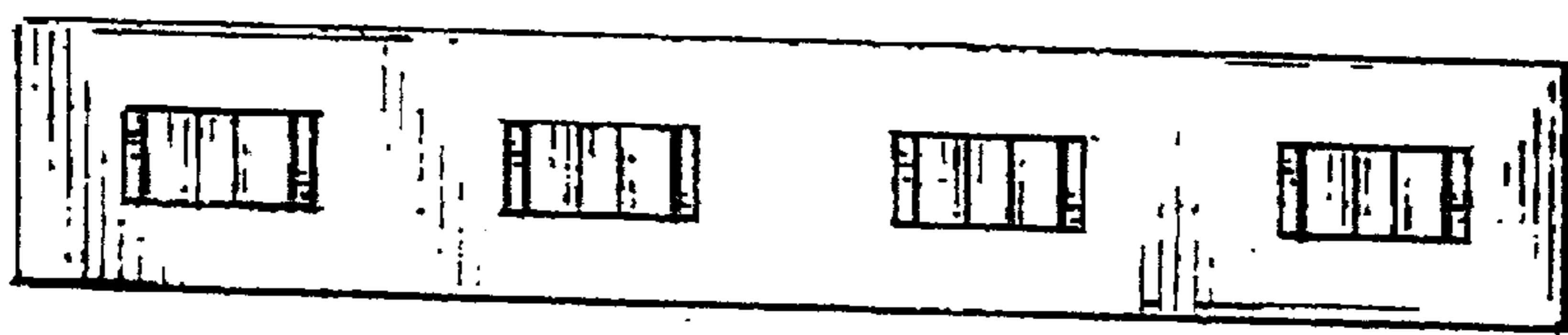


FIG. 4

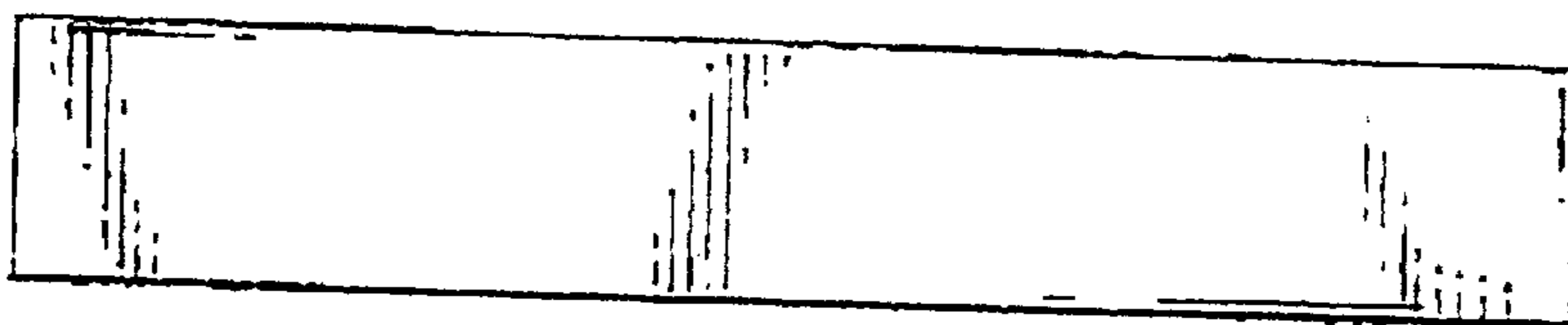


FIG. 5