



US00D454737S

(12) **United States Design Patent**  
**Carrabba**

(10) **Patent No.:** **US D454,737 S**

(45) **Date of Patent:** **\*\* Mar. 26, 2002**

- (54) **MODULAR STACKING SHELF**
- (75) Inventor: **Salvatore R. Carrabba**, West Hartford, CT (US)
- (73) Assignee: **Salamander Design**, Hartford, CT (US)
- (\*\*) Term: **14 Years**
- (21) Appl. No.: **29/141,336**
- (22) Filed: **May 3, 2001**
- (51) **LOC (7) Cl.** ..... **06-06**
- (52) **U.S. Cl.** ..... **D6/511; D6/473**
- (58) **Field of Search** ..... D6/449, 473, 477, D6/478, 479, 511; 108/59, 91, 92, 93; 211/36, 42, 43, 85.1, 85.2, 188, 194; 312/107, 108

- 5,421,467 A \* 6/1995 Dittborn ..... 211/150
- D361,680 S \* 8/1995 Palsson ..... D6/479
- D384,838 S \* 10/1997 Topper et al. .... D6/473
- D407,247 S \* 3/1999 Brezney ..... D6/511
- D426,092 S \* 6/2000 Neustadt ..... D6/511

\* cited by examiner

*Primary Examiner*—Cathron C. Brooks

(74) *Attorney, Agent, or Firm*—Cantor Colburn LLP

(57) **CLAIM**

The ornamental design for a modular stacking shelf, as shown and described.

**DESCRIPTION**

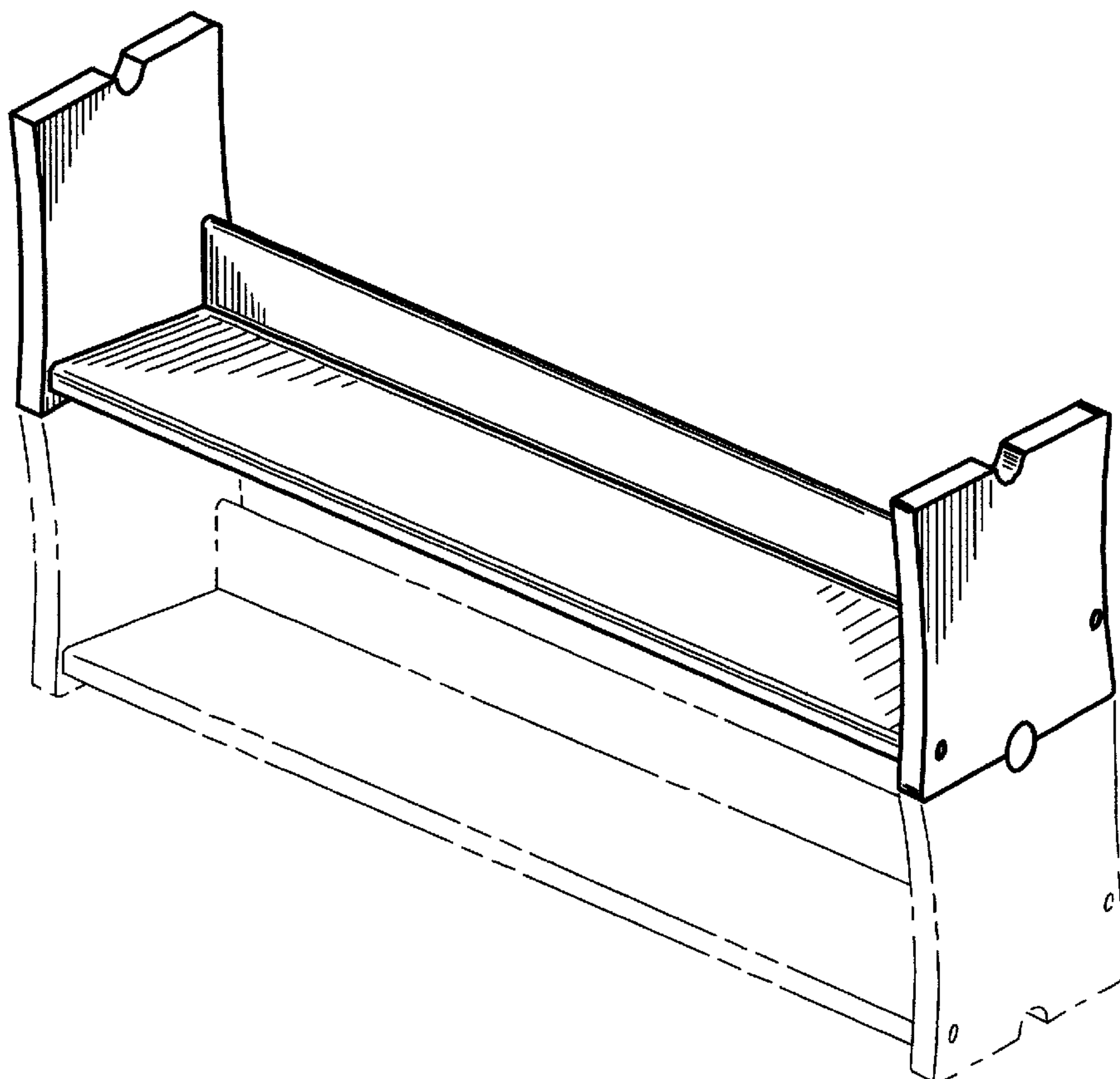
FIG. 1 is an elevated front perspective view of a modular stacking shelf showing my new design; FIG. 2 is a side elevational view thereof; FIG. 3 is a front elevational view thereof; FIG. 4 is a side elevational view thereof; FIG. 5 is a back elevational view thereof; FIG. 6 is a top elevational view thereof; and, FIG. 7 is a bottom elevational view thereof. The broken line showing of an additional shelf is for illustrative purposes only and forms no part of the claimed design.

(56) **References Cited**

**U.S. PATENT DOCUMENTS**

- 1,427,249 A \* 8/1922 Weston ..... 108/59
- 3,391,793 A \* 7/1968 Streuli ..... 211/43
- 3,695,190 A \* 10/1972 Bucholz ..... 108/91
- 3,974,917 A \* 8/1976 Waxmanski ..... 211/36
- 4,418,967 A \* 12/1983 Winkelman, Jr. et al. ... 312/107
- 4,763,580 A \* 8/1988 Garland ..... 108/91
- 4,819,814 A \* 4/1989 Fogelgren ..... 211/50
- D337,673 S \* 7/1993 Goetz ..... D6/473
- 5,415,297 A \* 5/1995 Klein et al. .... 211/40

**1 Claim, 4 Drawing Sheets**



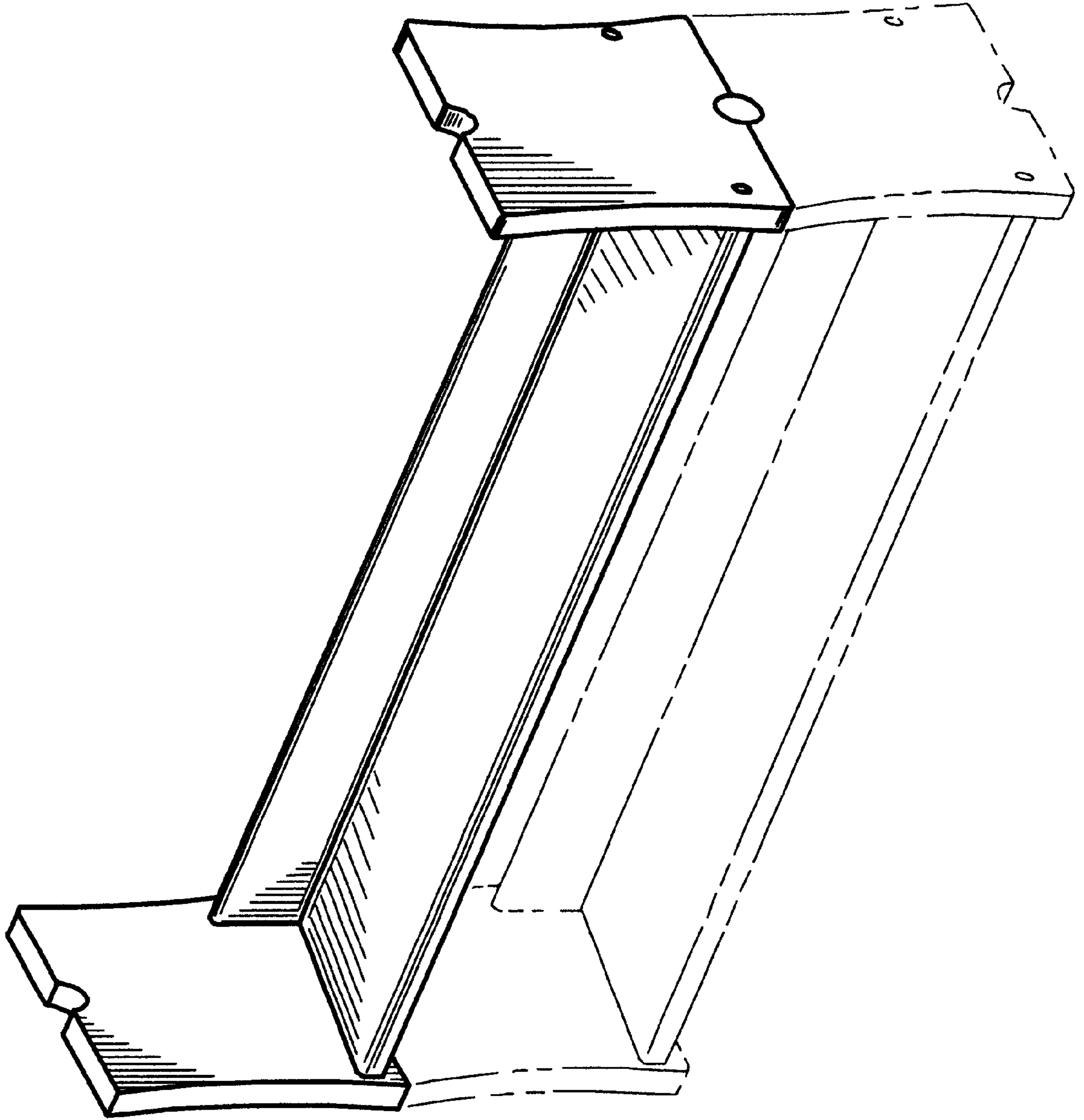


FIG. 1

FIG. 2

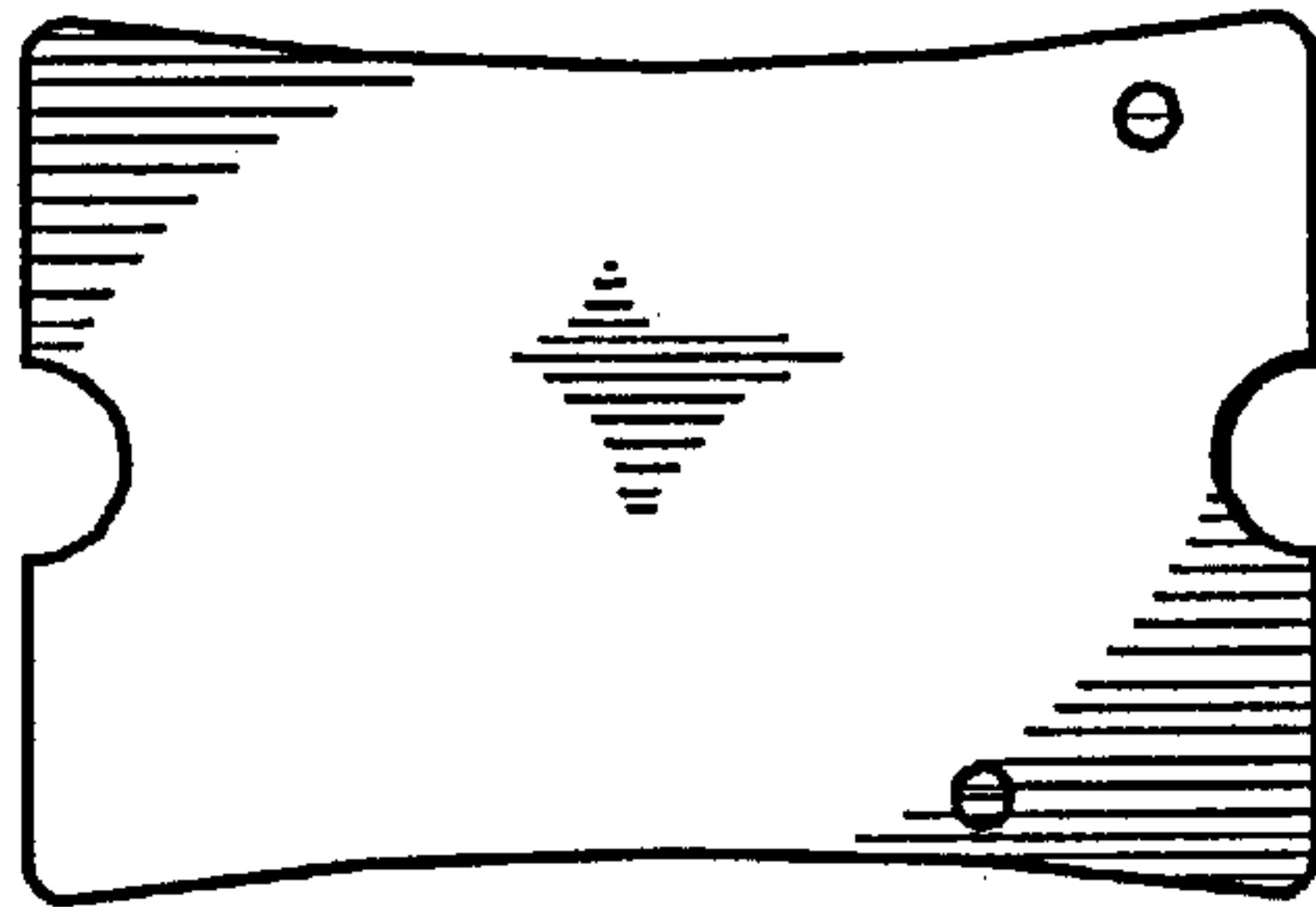


FIG. 3

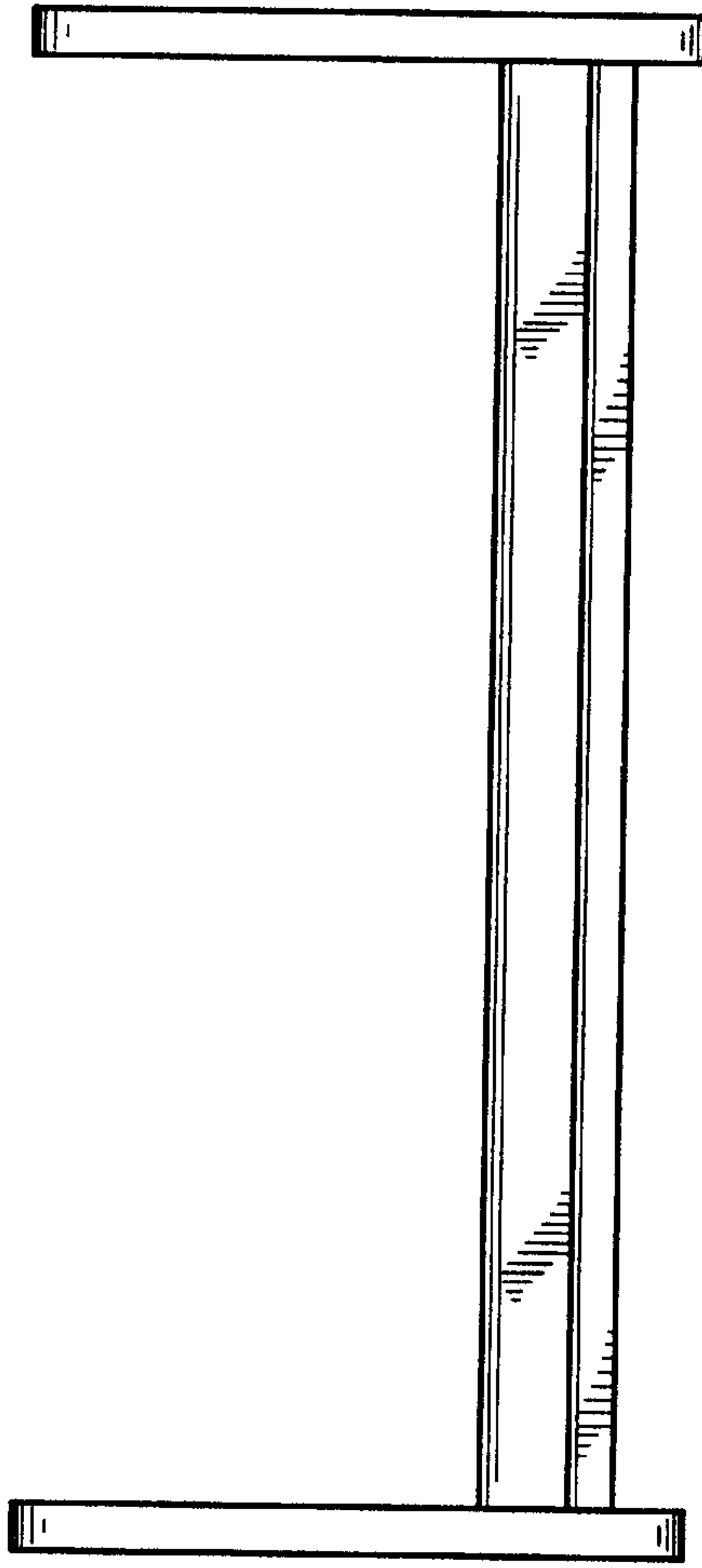


FIG. 4

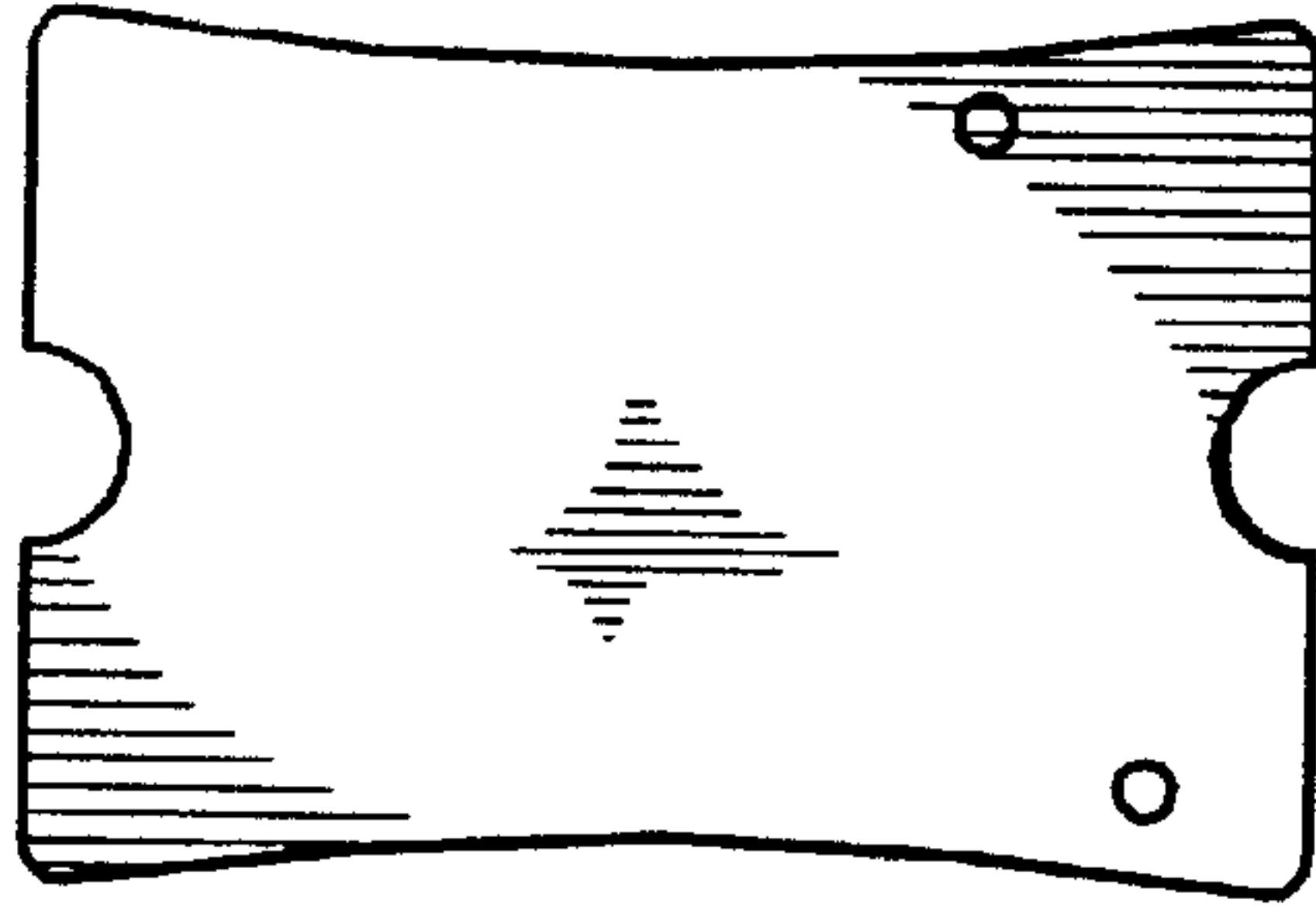


FIG. 5

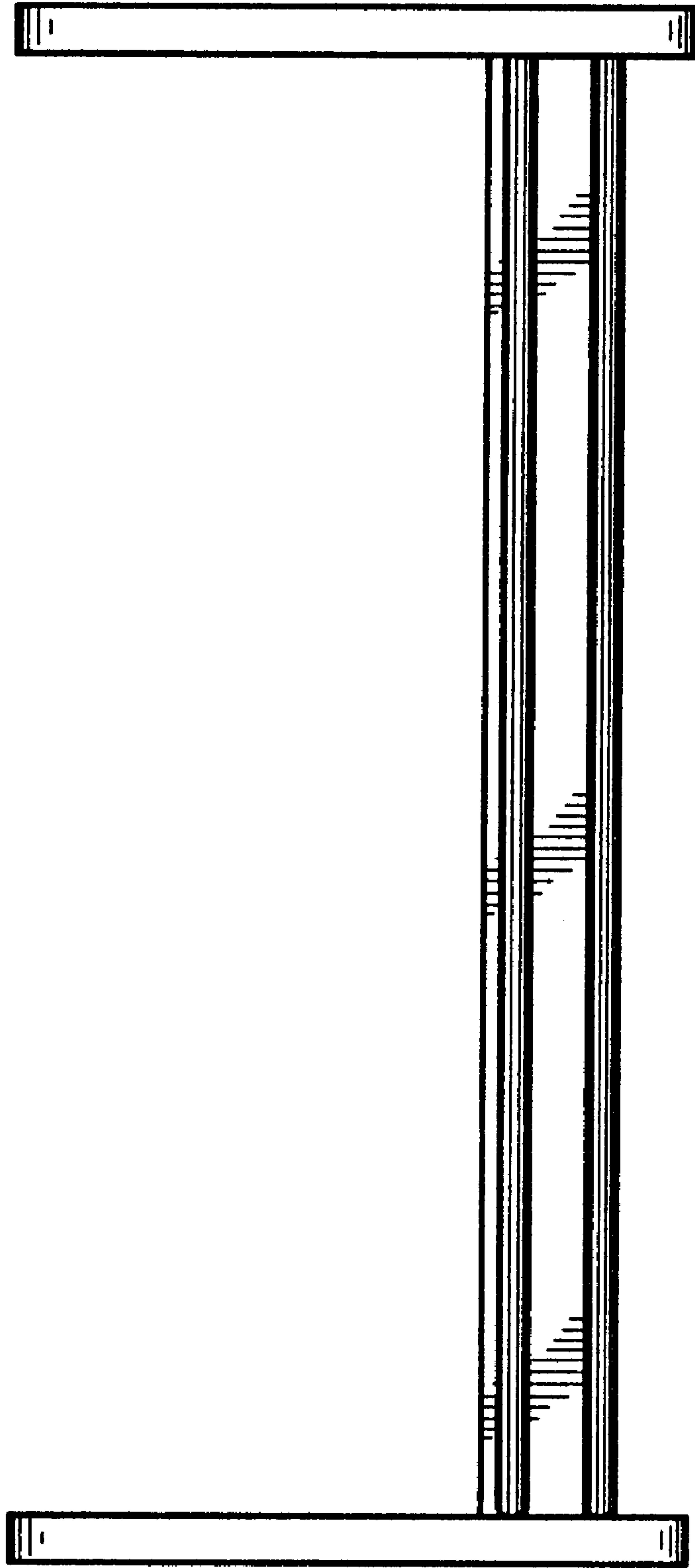


FIG. 6

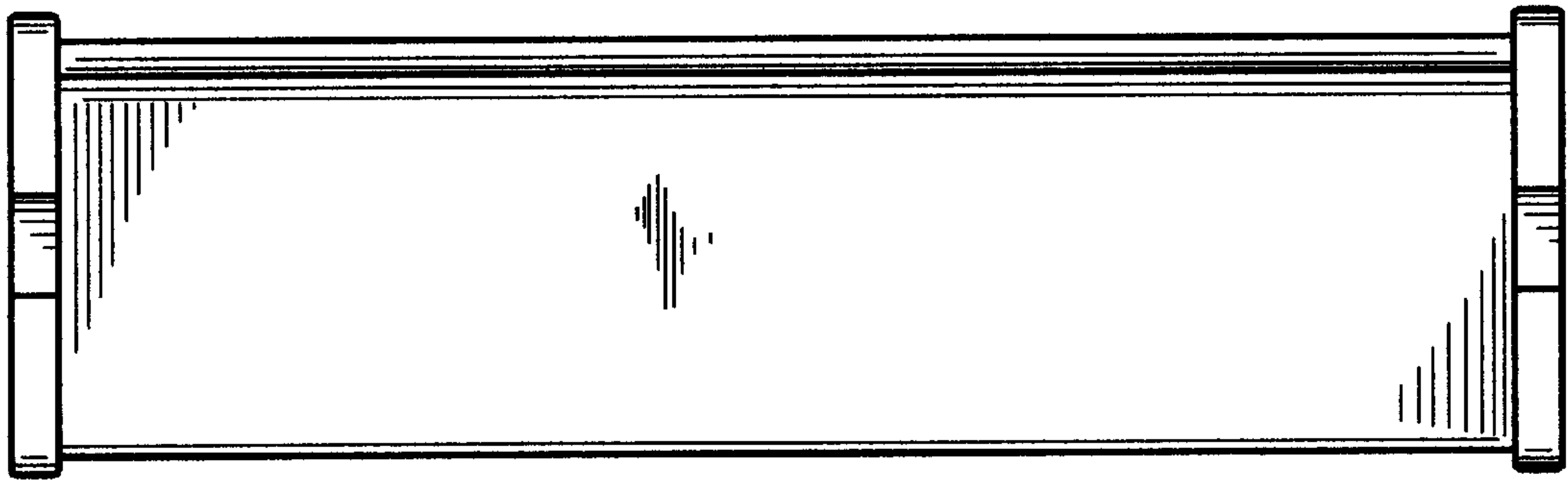


FIG. 7

