



US00D454735S

(12) **United States Design Patent**
Chan

(10) **Patent No.:** **US D454,735 S**

(45) **Date of Patent:** **** Mar. 26, 2002**

(54) **SUPPORT STRUCTURE FOR A FURNITURE COMPONENT**

(75) **Inventor:** **Eric Ping Pang Chan**, New York, NY (US)

(73) **Assignee:** **Herman Miller, Inc.**, Zeeland, MI (US)

(**) **Term:** **14 Years**

(21) **Appl. No.:** **29/128,897**

(22) **Filed:** **Aug. 31, 2000**

(51) **LOC (7) Cl.** **06-06**

(52) **U.S. Cl.** **D6/499**

(58) **Field of Search** D6/480-489, 495-499;
108/153.1, 157.1, 155, 156, 161, 175; 248/188,
188.1, 188.8, 175, 153

(56) **References Cited**

U.S. PATENT DOCUMENTS

D171,618 S *	3/1954	Roth	D6/499
D171,619 S *	3/1954	Roth	D6/499
2,740,679 A	4/1956	Vizzini		
D187,137 S *	2/1960	Christenson, Jr.	D6/499
3,731,859 A	5/1973	Bean, Jr.		
5,335,432 A	8/1994	Simpson		
5,908,002 A	6/1999	Alexander et al.		

OTHER PUBLICATIONS

- Salterini, May 16, 1949, p. 19, table legs at top.*
 "Nordisk: Nordisk Cabinet," IKEA advertising excerpt, date unknown.
 "Propeller Table," The Knoll Shop advertising excerpt, date unknown.
 "Crossings," Haworth advertising excerpt, date unknown.
 "Here Rectangular Table," NextOffice advertising excerpt, date unknown.
 "Bretford Luna Table," NextOffice advertising excerpt, date unknown.

"Sitag Table Desk," Next Office advertising excerpt, date unknown.

"Spacecraft 01. Basic Work Table," Next Office advertising excerpt, date unknown.

"Dordoni Worktop," Design Within Reach advertising excerpt, date unknown.

"Transporte Table," Design Within Reach advertising excerpt, date unknown.

"Gordon Accordion Table," Next Office advertising excerpt, date unknown.

* cited by examiner

Primary Examiner—Janice E. Seeger

(74) *Attorney, Agent, or Firm*—Brinks Hofer Gilson & Lione

(57) **CLAIM**

The ornamental design for a support structure for a furniture component, as shown and described.

DESCRIPTION

FIG. 1 is a perspective view of support structure for a furniture component, showing my new design;

FIG. 2 is a front view of the support structure for a furniture component shown in FIG. 1, with the rear view being a mirror image thereof;

FIG. 3 is a left side view of the support structure for a furniture component shown in FIG. 1;

FIG. 4 is a right side view of the support structure for a furniture component shown in FIG. 1;

FIG. 5 is a top view of the support structure for a furniture component shown in FIG. 1; and,

FIG. 6 is a bottom view of the support structure for a furniture component shown in FIG. 1.

The broken lines showing the worksurface furniture component, support plates and glides in the Figures are for environmental purposes only and do not form any part of the claimed designs.

1 Claim, 3 Drawing Sheets

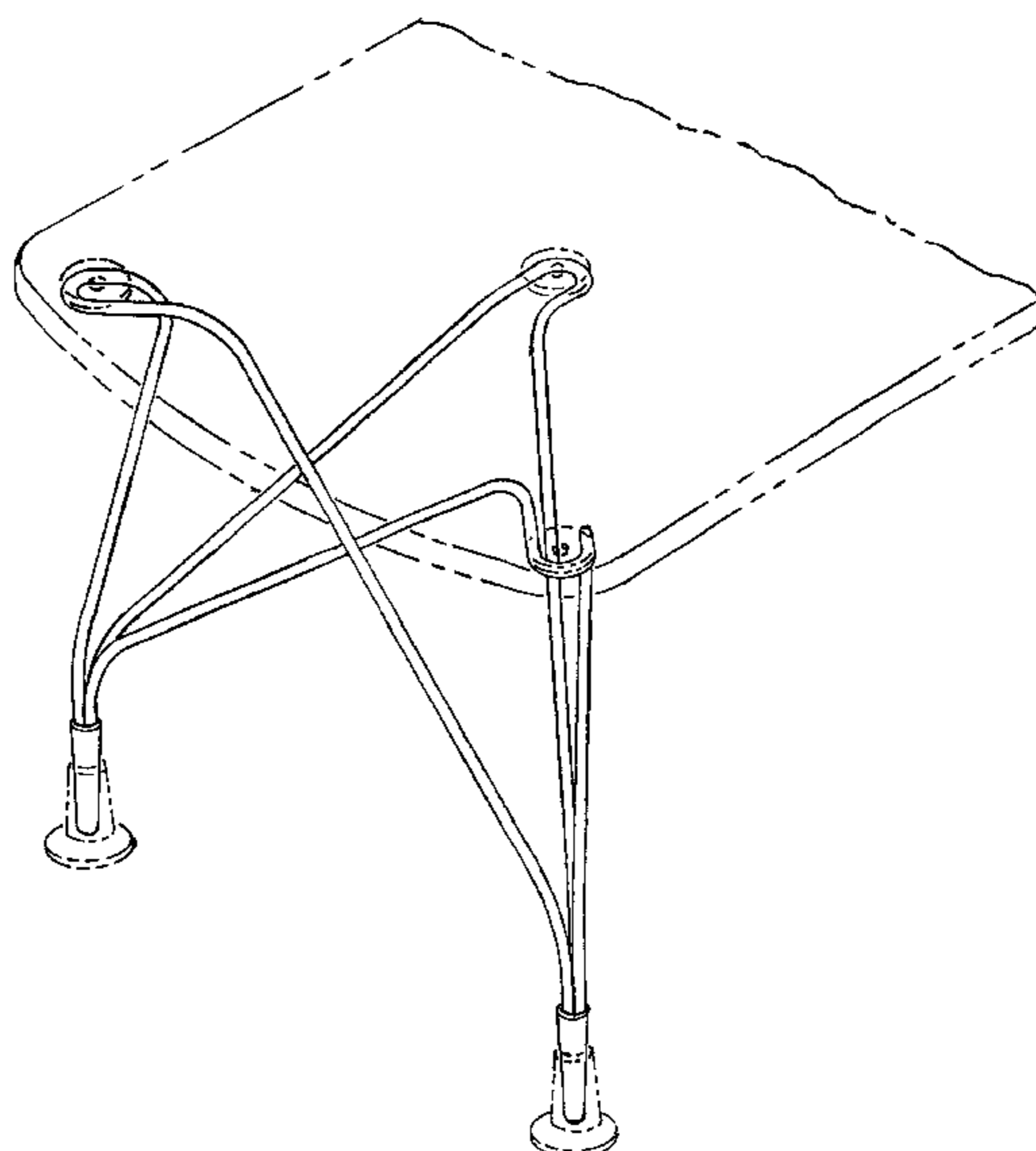


FIG.1

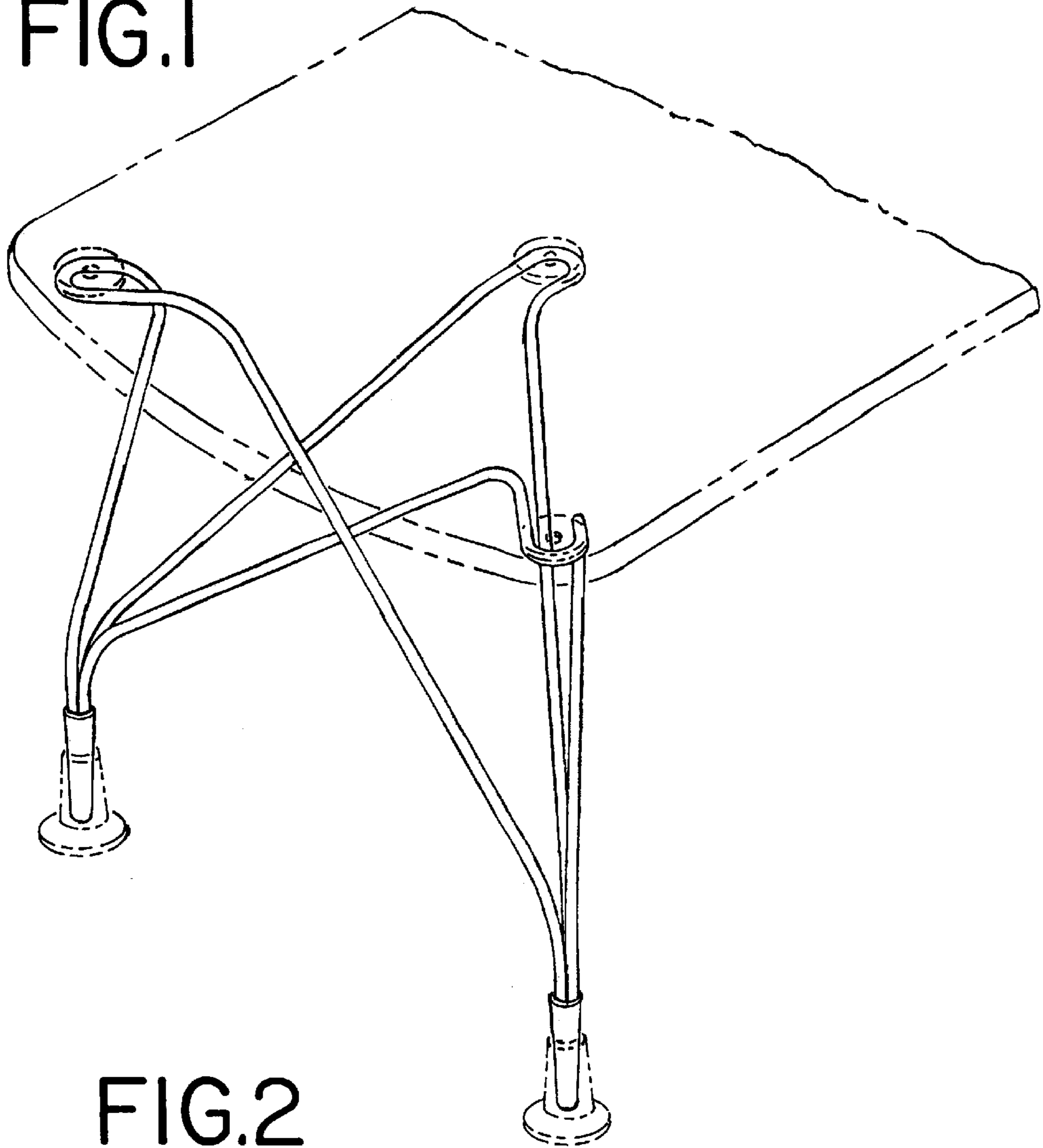


FIG.2

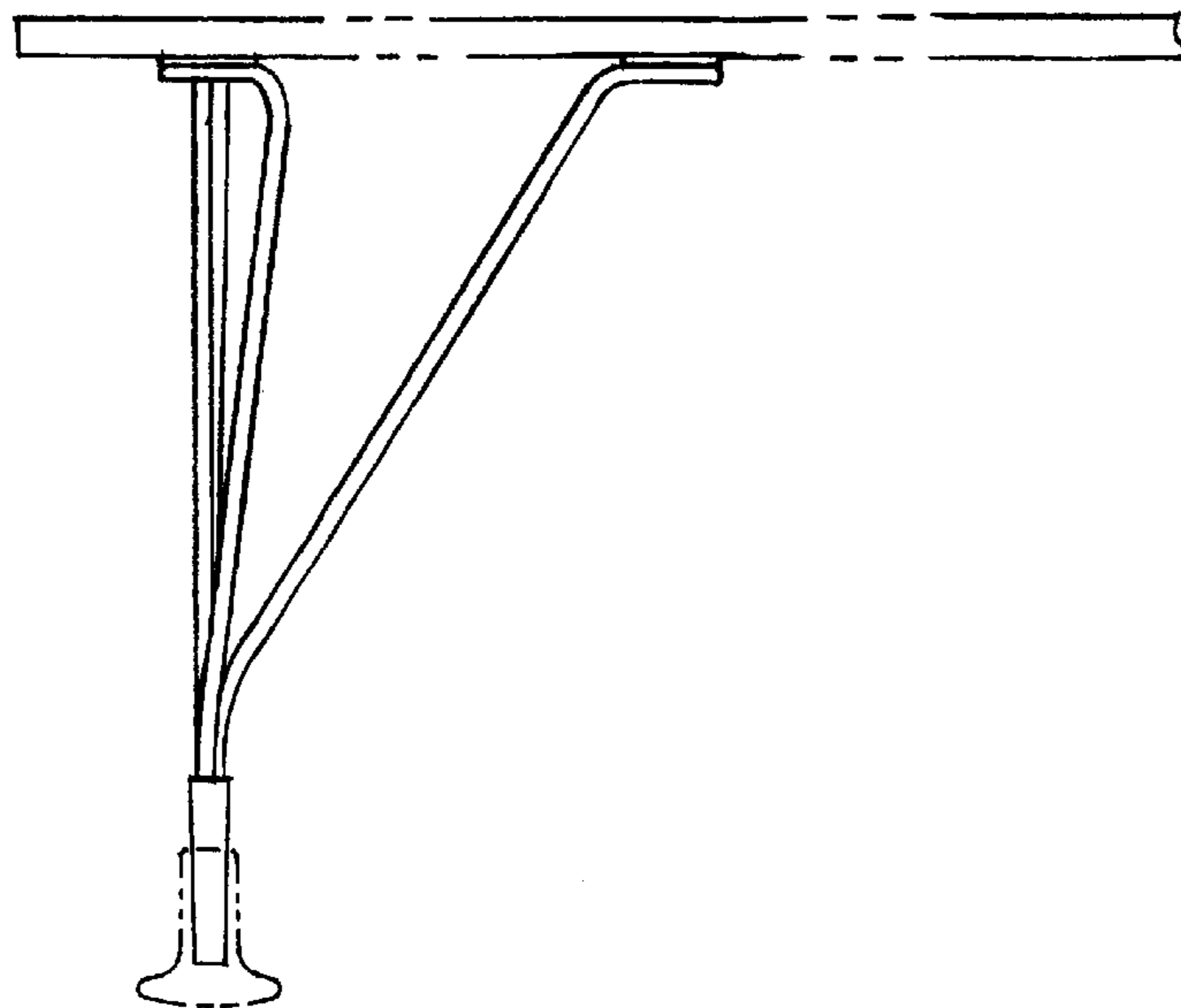


FIG.3

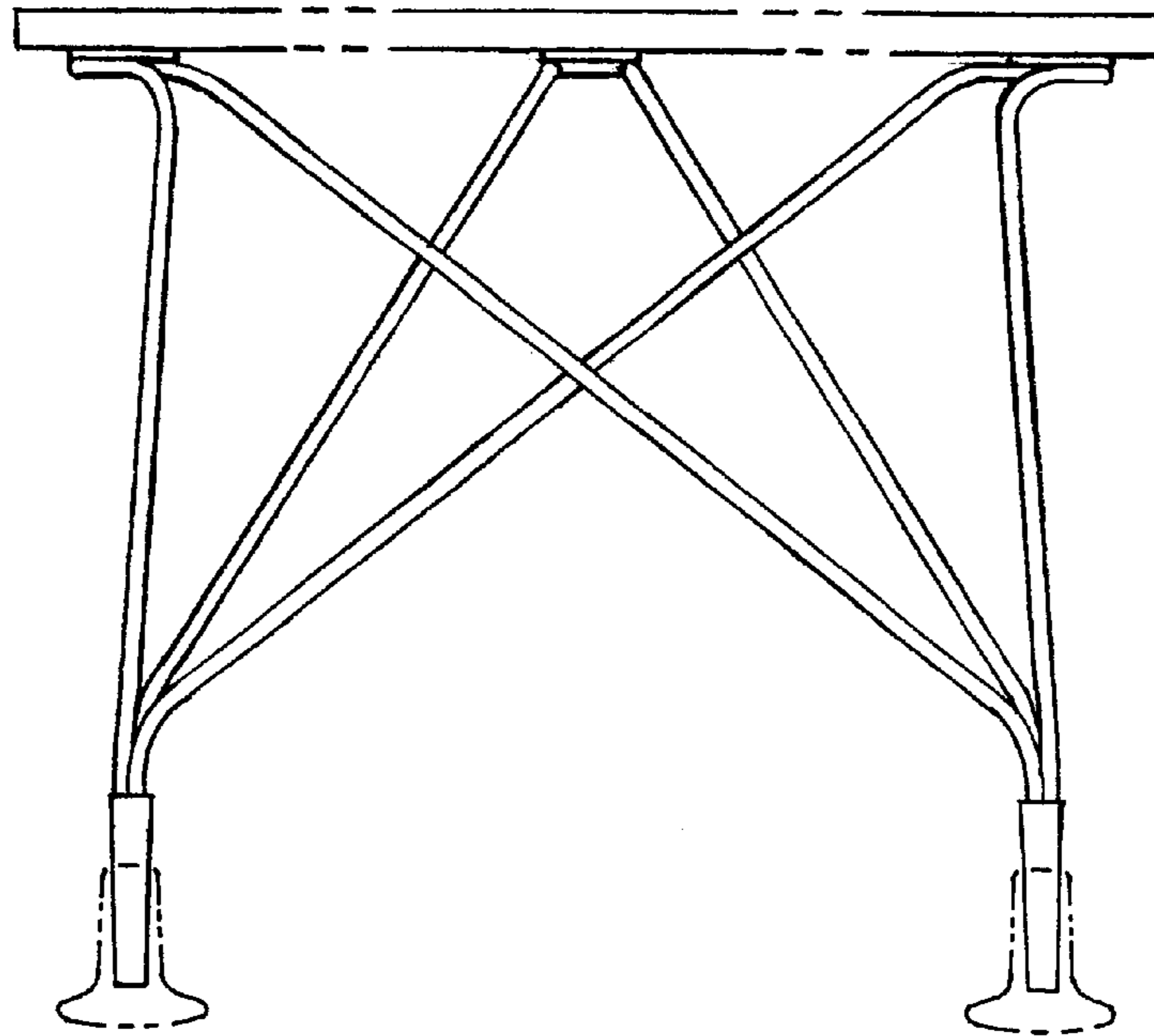


FIG.4

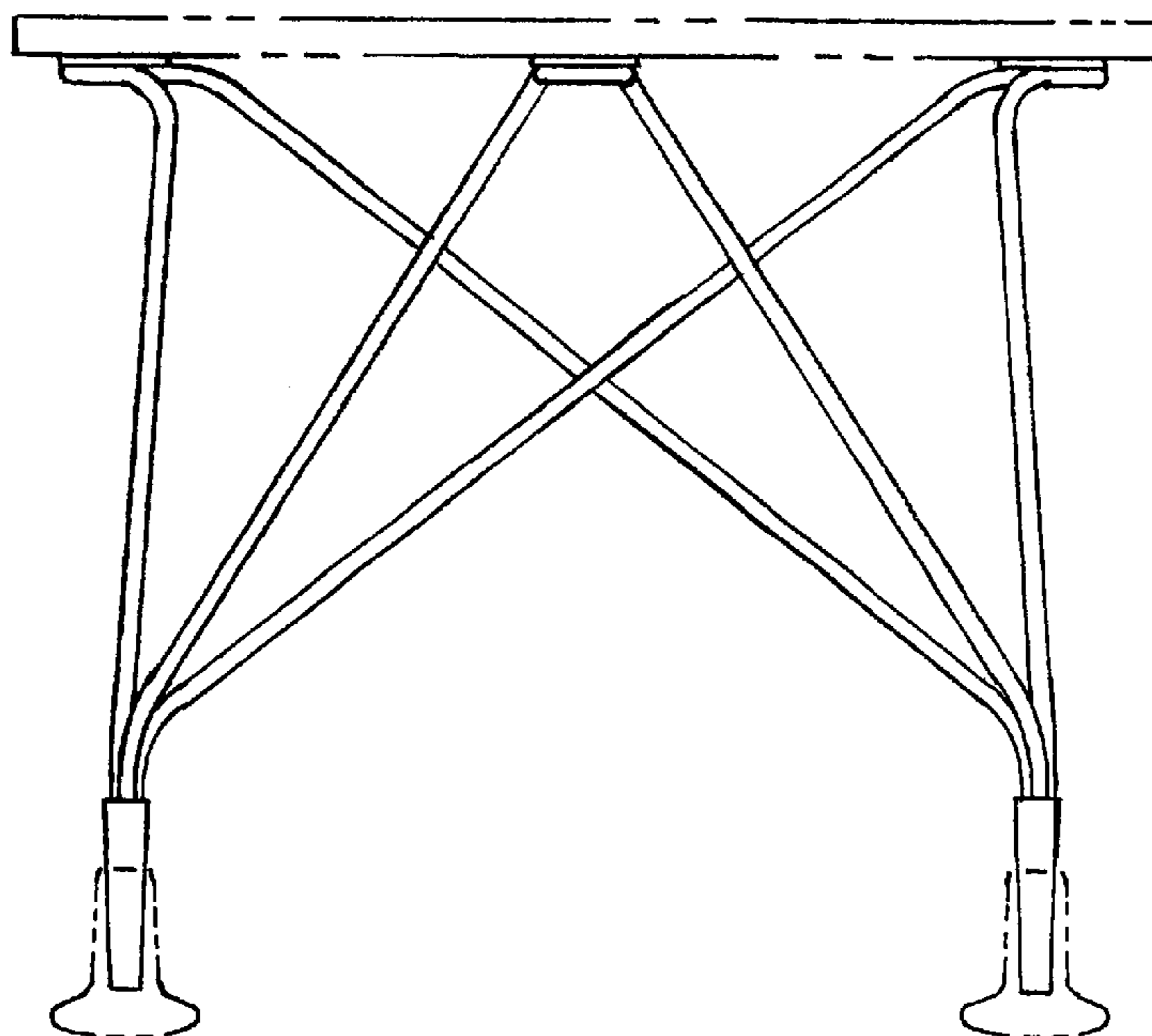


FIG. 5

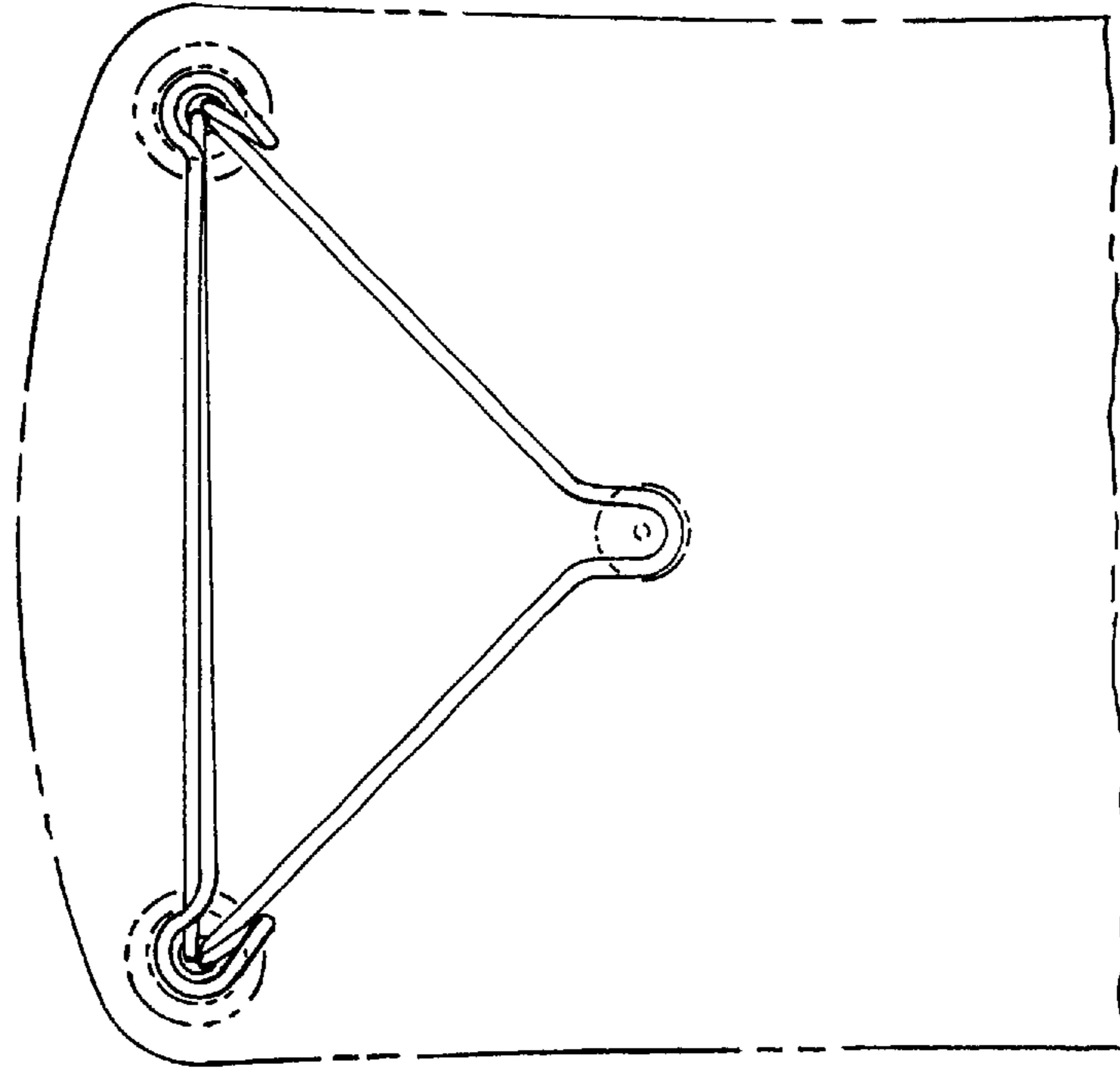


FIG. 6

