



US00D454731S

(12) **United States Design Patent**
Niitsu

(10) **Patent No.:** **US D454,731 S**

(45) **Date of Patent:** **** Mar. 26, 2002**

(54) **STAND FOR TELEVISION RECEIVER**

5,584,595 A * 12/1996 Gantitano et al. 403/24
D401,789 S * 12/1998 Schwab D6/483

(75) Inventor: **Takuya Niitsu**, Tokyo (JP)

OTHER PUBLICATIONS

(73) Assignee: **Sony Corporation**, Tokyo (JP)

Catalog, "Sony Style", p. 77, Sony Corporation, (Autumn/
Winter 2000/2001).

(**) Term: **14 Years**

* cited by examiner

(21) Appl. No.: **29/143,345**

Primary Examiner—Cathron C. Brooks

(22) Filed: **Jun. 13, 2001**

(74) *Attorney, Agent, or Firm*—Rader, Fishman & Grauer,
PLLC

(51) **LOC (7) Cl.** **06-04**

(52) **U.S. Cl.** **D6/479**

(58) **Field of Search** D6/449, 464, 465,
D6/474, 477, 478, 479, 484, 486, 489,
455; 108/59, 149; 211/13.1, 134

(57) **CLAIM**

The ornamental design for a stand for television receiver, as
shown and described.

(56) **References Cited**

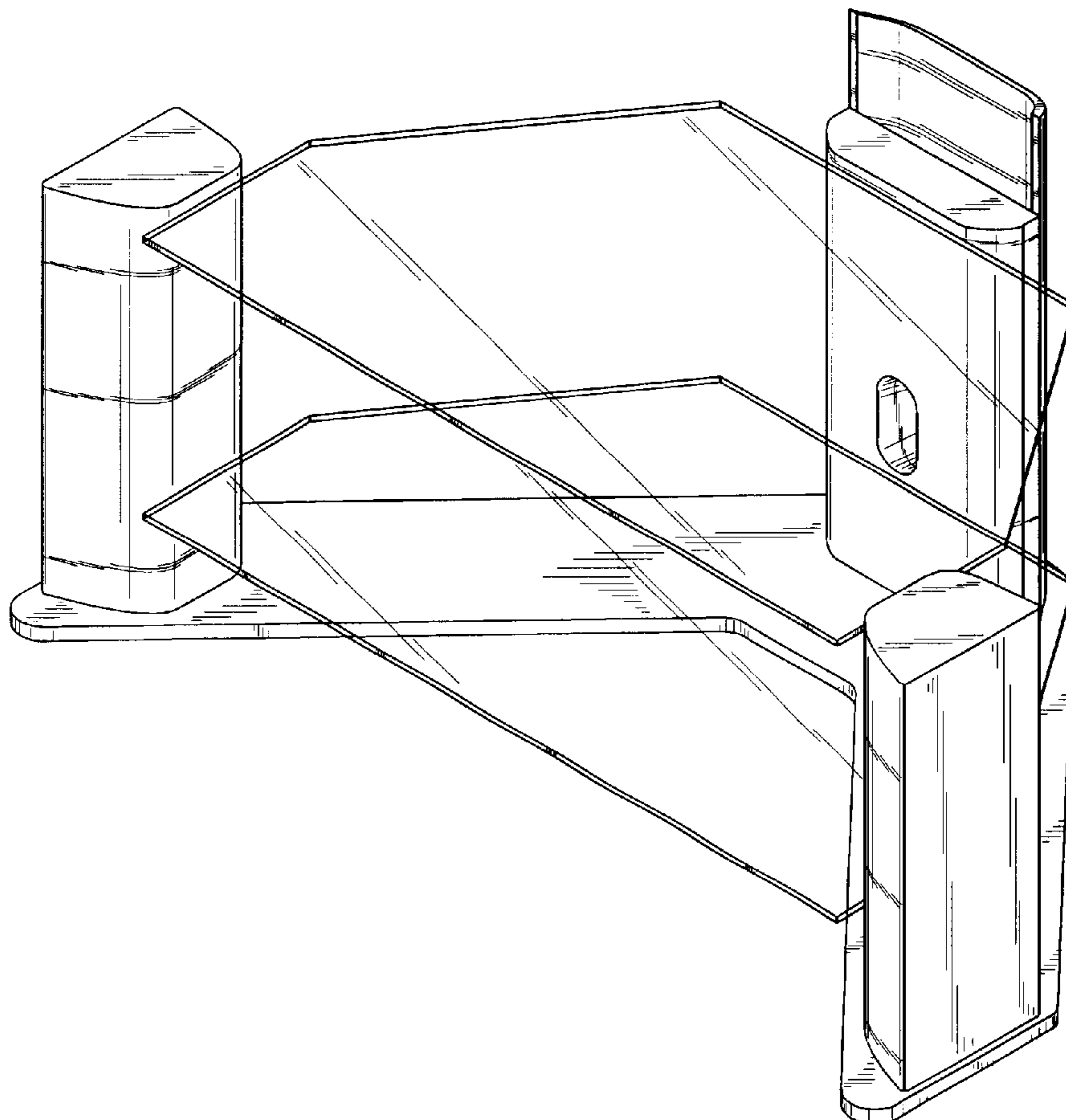
DESCRIPTION

U.S. PATENT DOCUMENTS

D183,617 S	9/1958	Klein	
D234,068 S	1/1975	Mudde	
D239,487 S	4/1976	Hysten	
D240,185 S	6/1976	Rosen	
D268,555 S	4/1983	Rosen	
D289,839 S	* 5/1987	Kouzoujian D6/489
D328,989 S	* 9/1992	Leonard D6/477
D371,472 S	* 7/1996	Herbst D6/480

FIG. 1 is a perspective view of a stand for television receiver
showing my new design;
FIG. 2 is a front elevational view thereof;
FIG. 3 is a rear elevational view thereof;
FIG. 4 is a left side elevational view thereof;
FIG. 5 is a right side elevational view thereof;
FIG. 6 is a top plan view thereof; and,
FIG. 7 is a bottom plan view thereof.

1 Claim, 4 Drawing Sheets



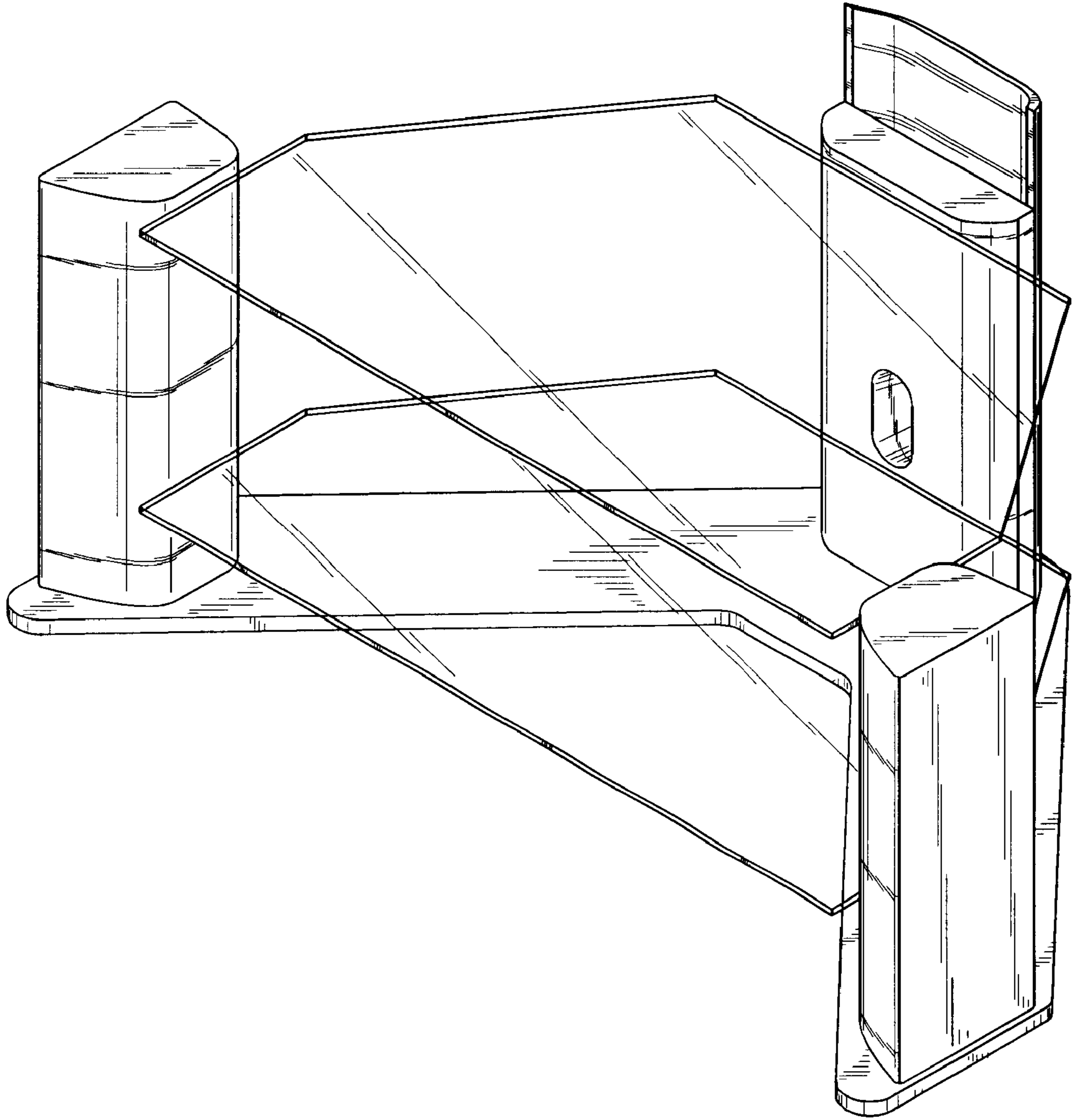


Fig. 1

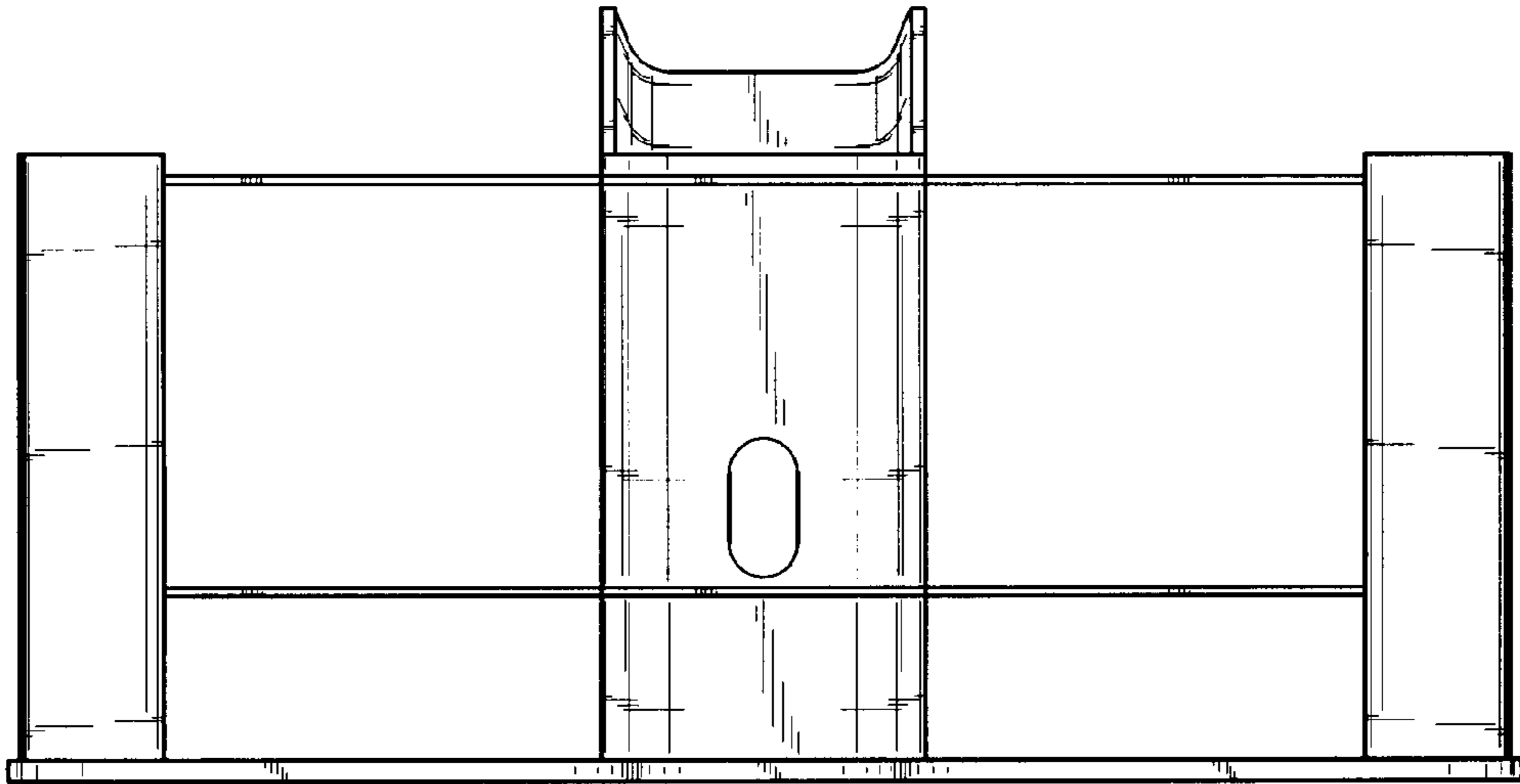


Fig. 2

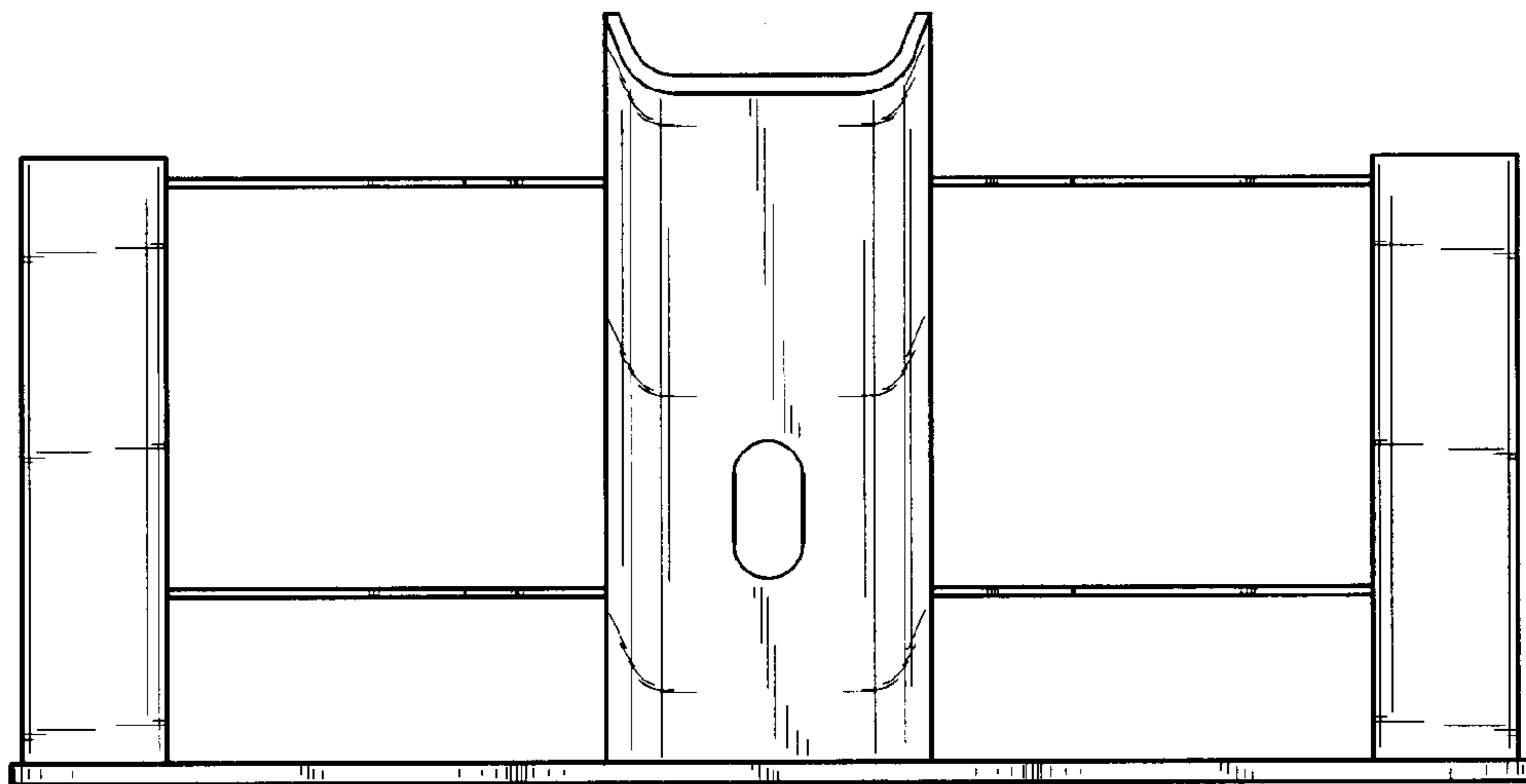


Fig. 3

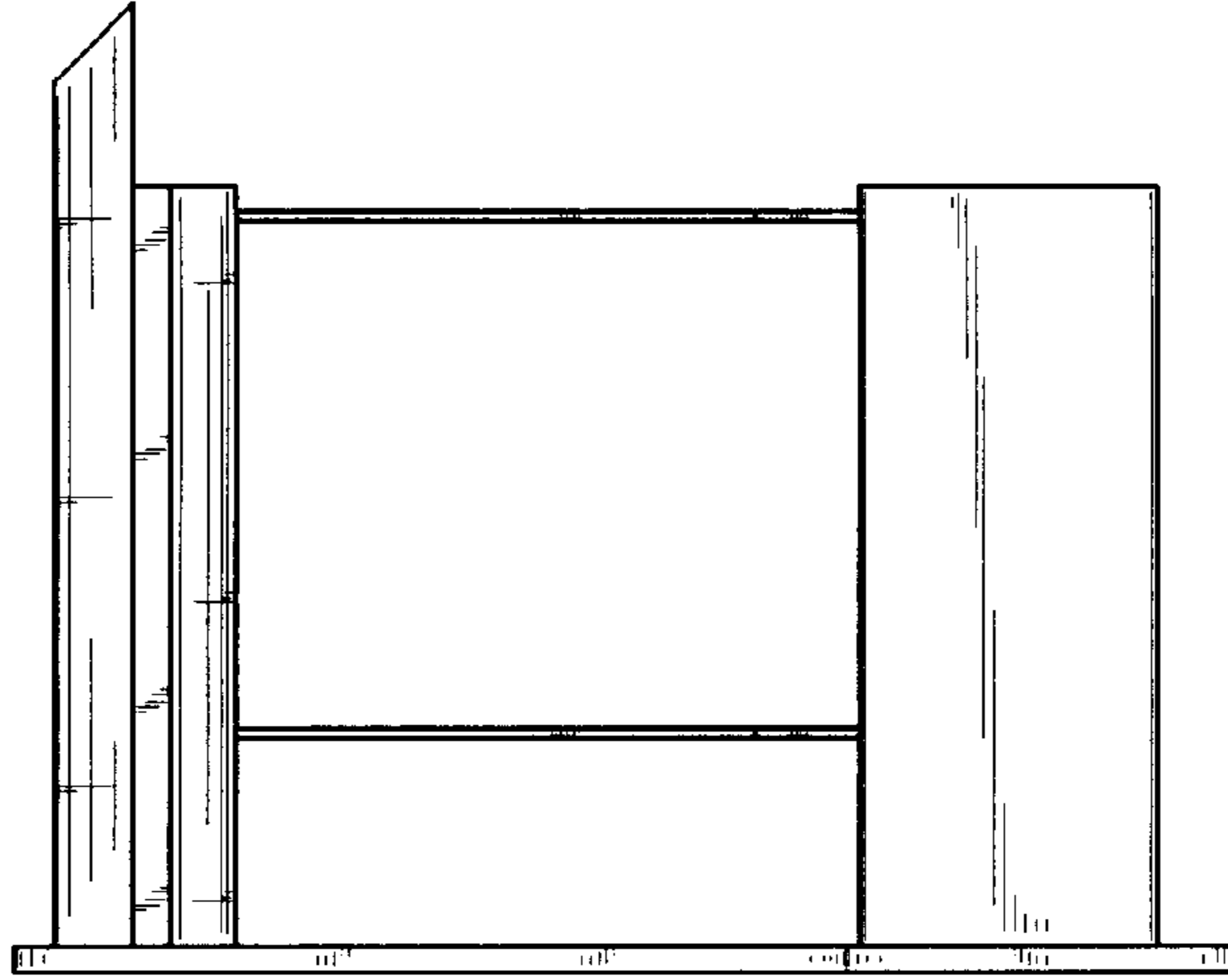


Fig. 4

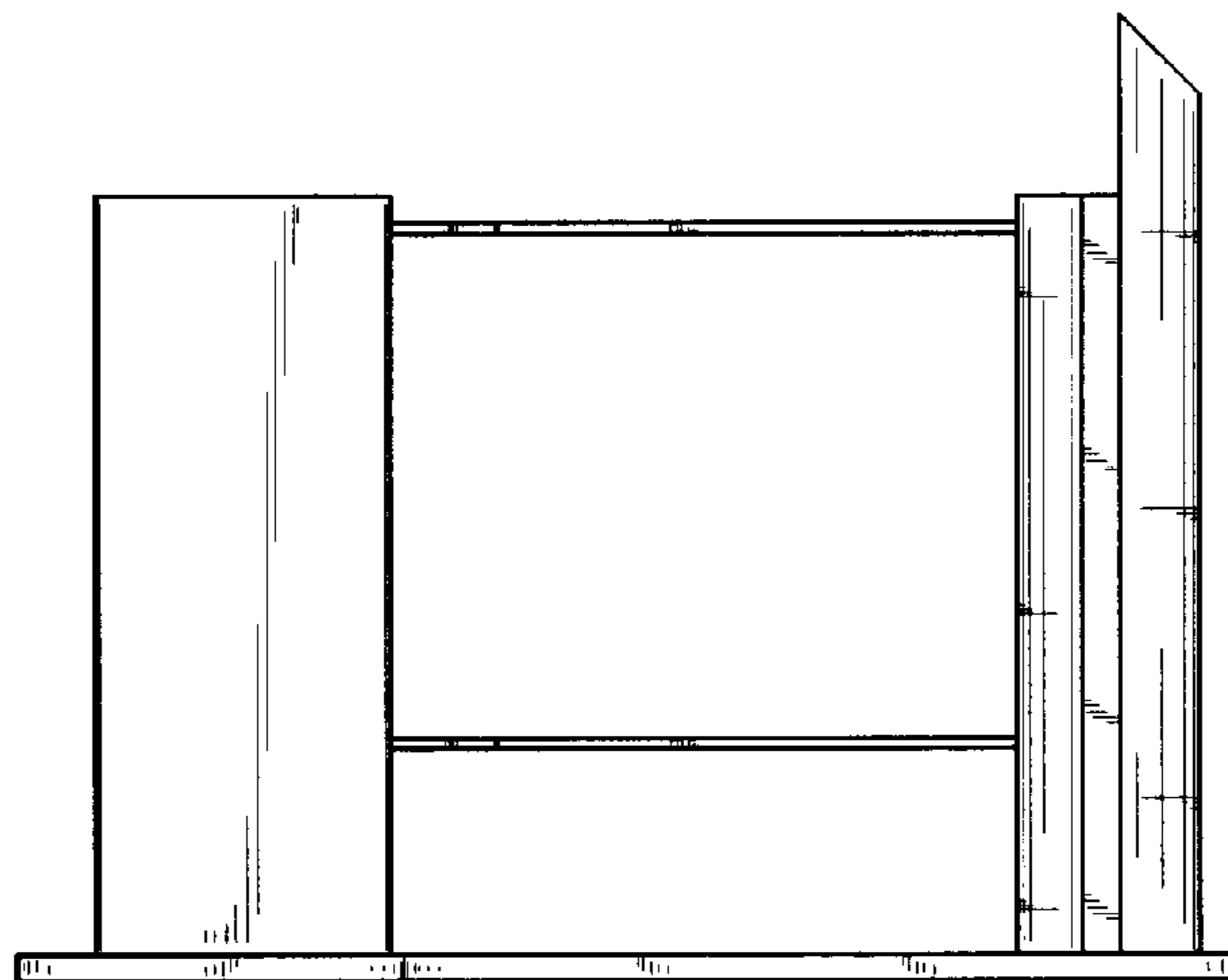


Fig. 5

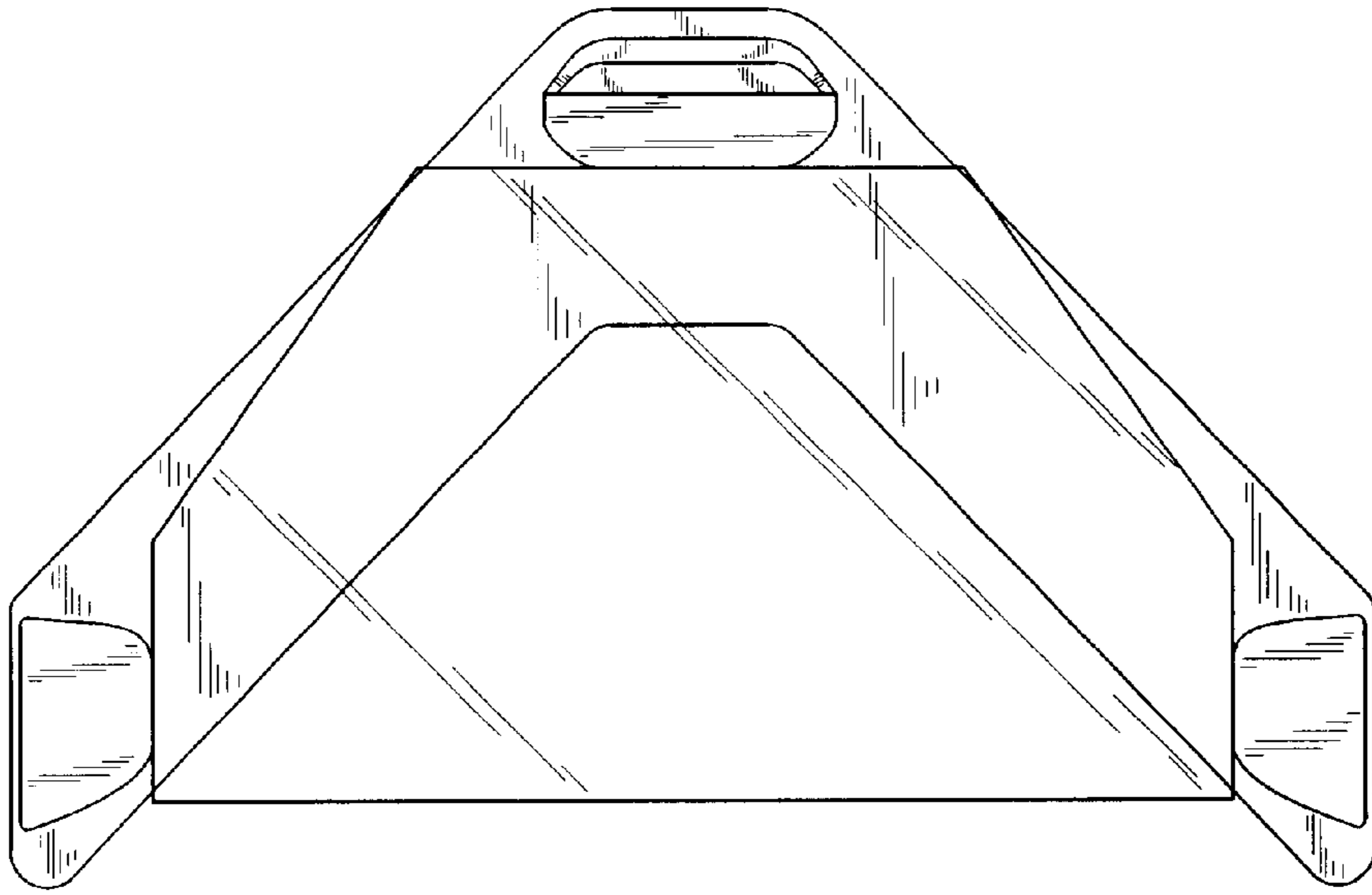


Fig. 6

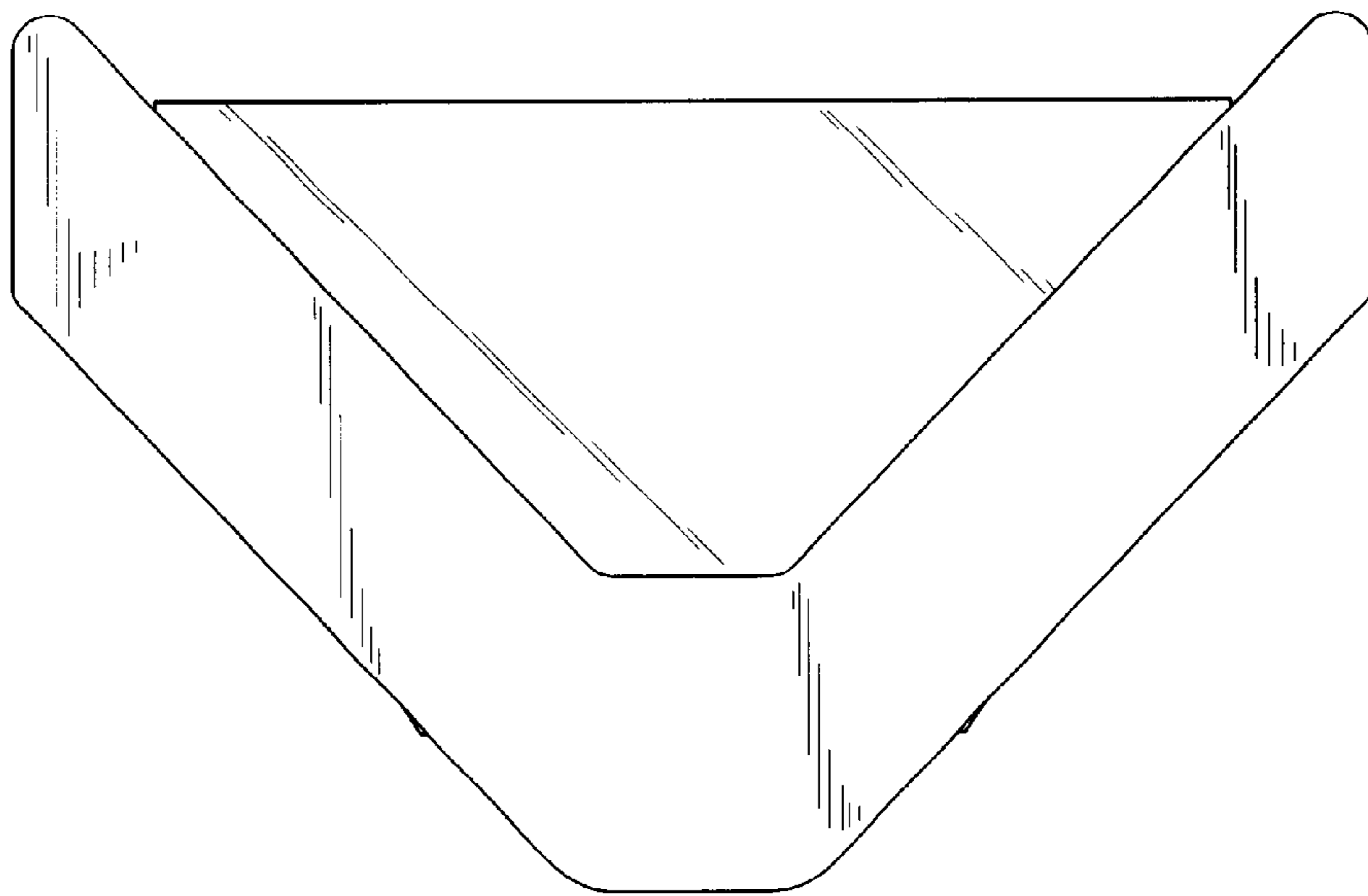


Fig. 7