



US00D454730S

(12) **United States Design Patent**
Harwanko

(10) **Patent No.:** **US D454,730 S**

(45) **Date of Patent:** **** Mar. 26, 2002**

(54) **SPACESAVER SHELVING**

(75) **Inventor:** **Jeffrey Brian Harwanko**, Wilmington, DE (US)

(73) **Assignee:** **Zenith Products Corp.**, New Castle, DE (US)

(**) **Term:** **14 Years**

(21) **Appl. No.:** **29/137,649**

(22) **Filed:** **Feb. 26, 2001**

(51) **LOC (7) Cl.** **06-04**

(52) **U.S. Cl.** **D6/479**

(58) **Field of Search** D6/449, 464, 465, D6/477, 478, 479, 546, 570, 574; 108/59, 91, 92; 211/13.1, 85.3, 181.1, 182

(56) **References Cited**

U.S. PATENT DOCUMENTS

D109,531 S * 5/1938 Lea D6/479

D253,023 S * 10/1979 Denhoff D6/479

D383,921 S * 9/1997 Newkirk D6/465

D392,121 S * 3/1998 Newkirk et al. D6/437

* cited by examiner

Primary Examiner—Cathron C. Brooks

(74) *Attorney, Agent, or Firm*—Edgar A. Zarins; Lloyd D. Doigan

(57) **CLAIM**

The ornamental design for a spacesaver shelving, as shown and described.

DESCRIPTION

FIG. 1 is a perspective view of a spacesaver shelving showing my new design;

FIG. 2 is a top plan view thereof;

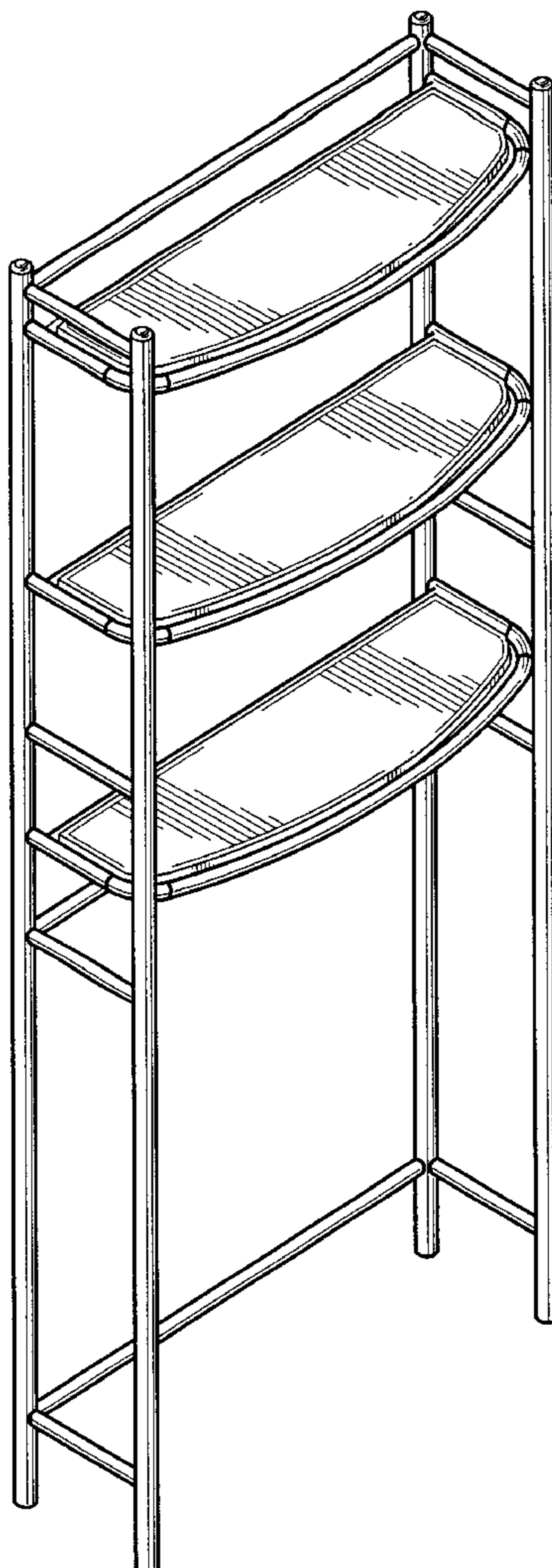
FIG. 3 is a left side view thereof;

FIG. 4 is a front elevational view thereof;

FIG. 5 is a rear elevational view thereof; and,

FIG. 6 is a right side view thereof.

1 Claim, 3 Drawing Sheets



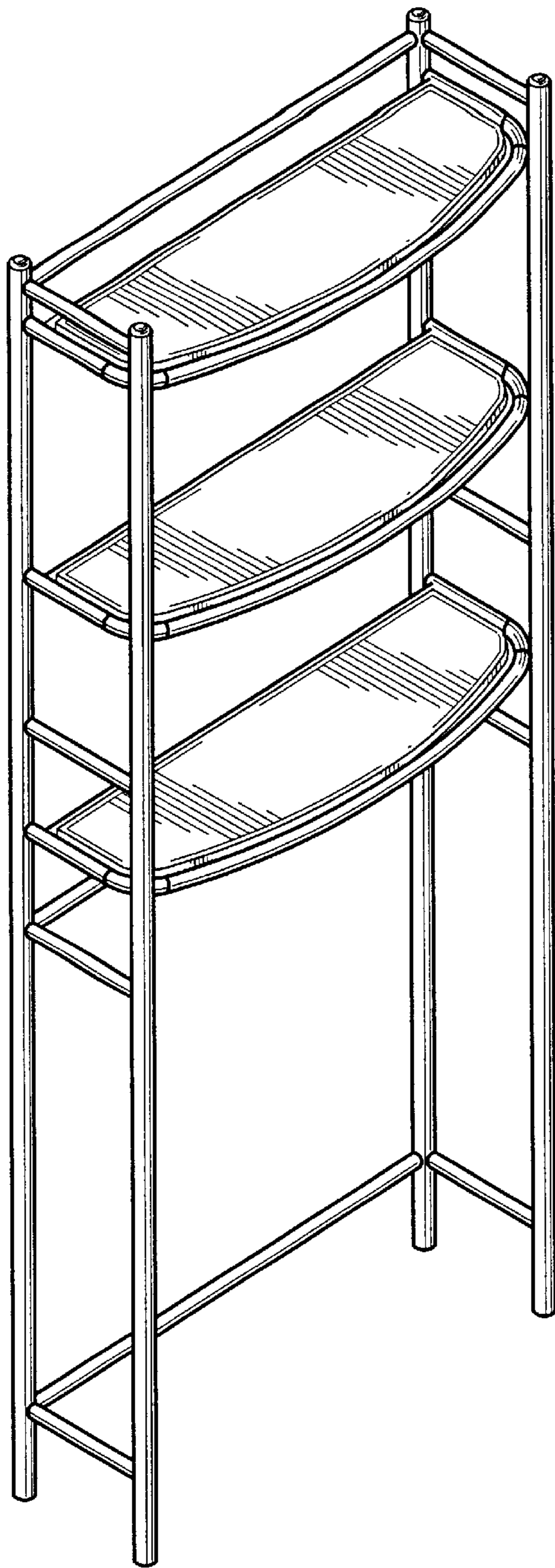
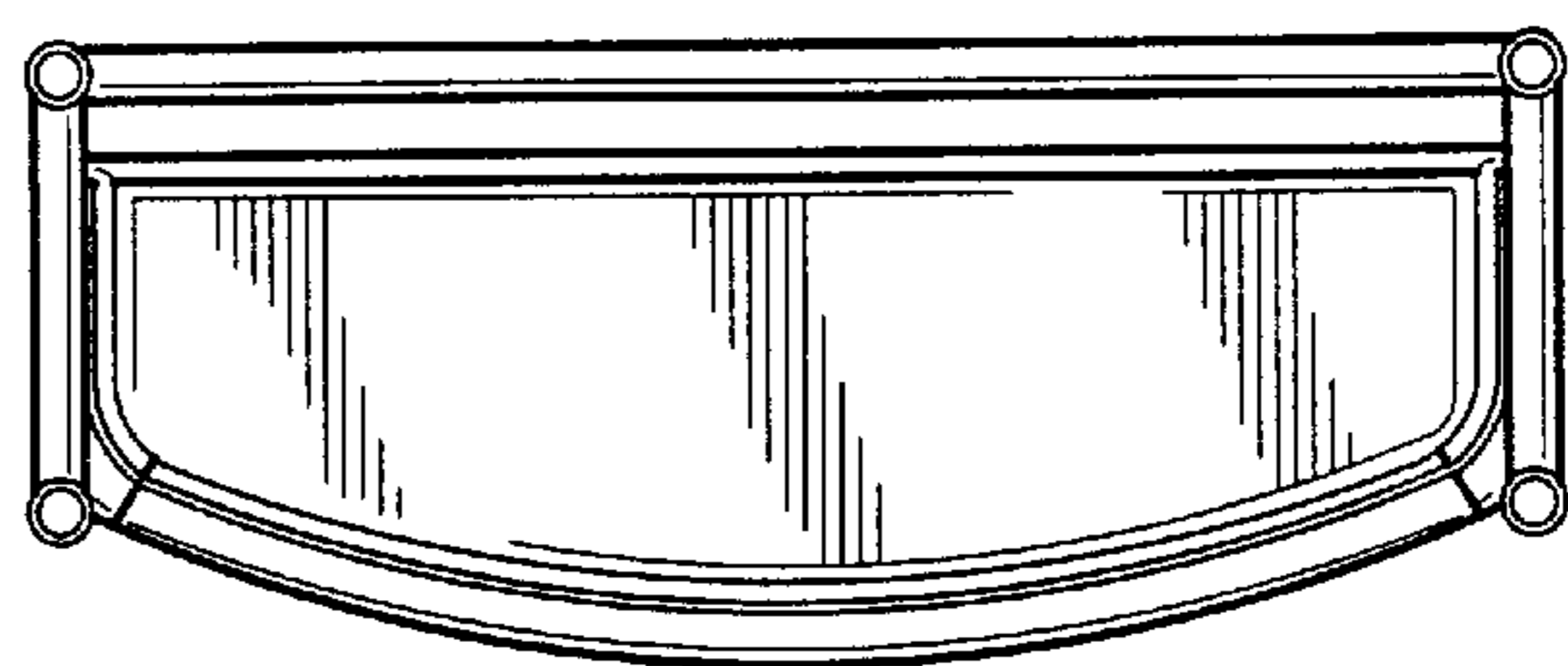


Figure - 1

Figure - 2



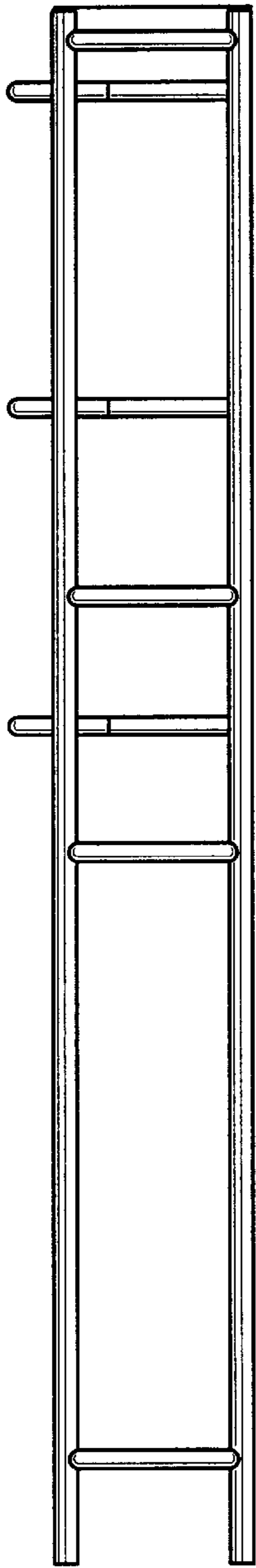


Figure - 3

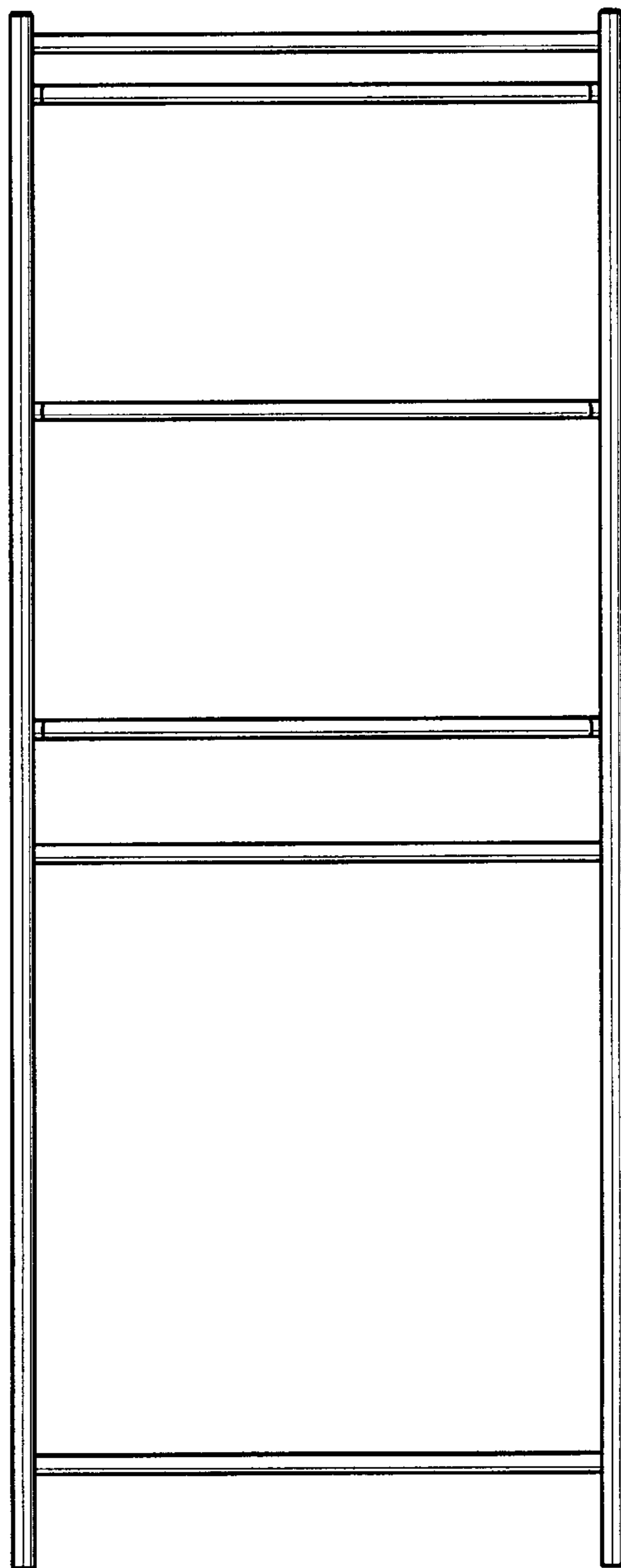


Figure - 4

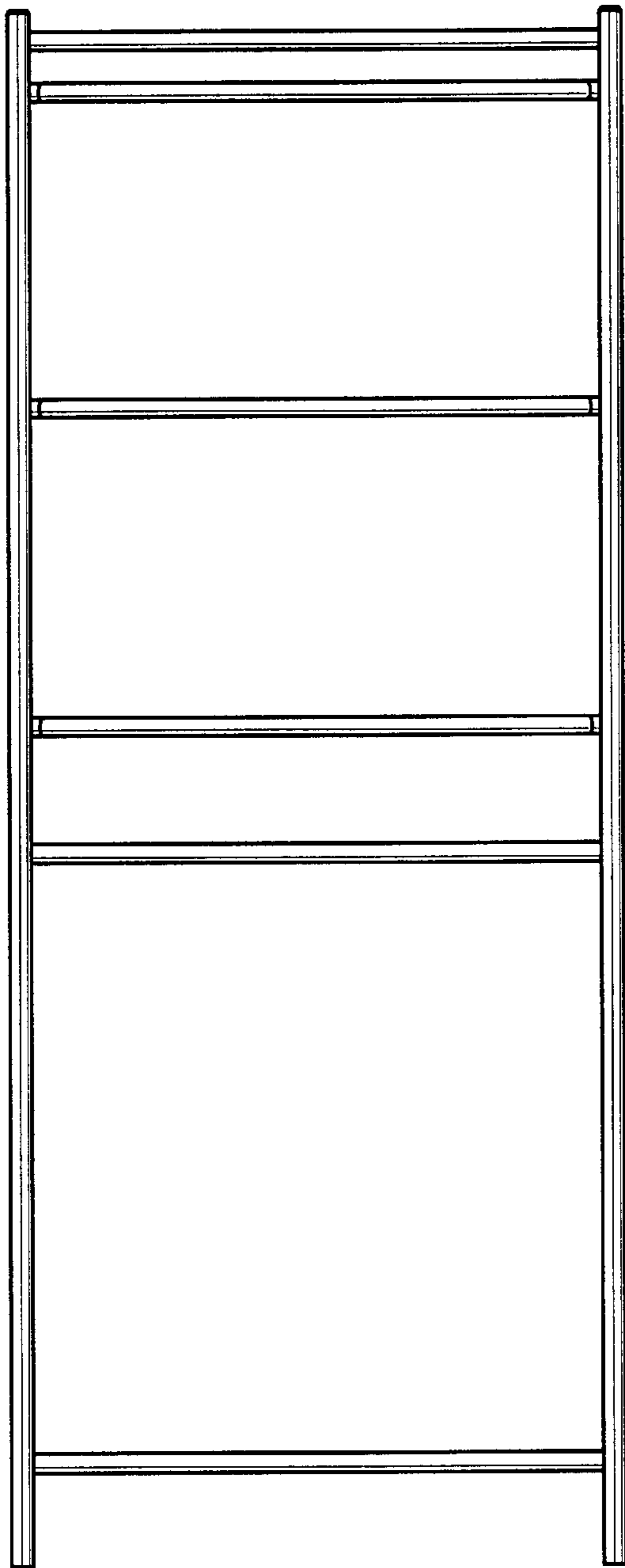


Figure - 5

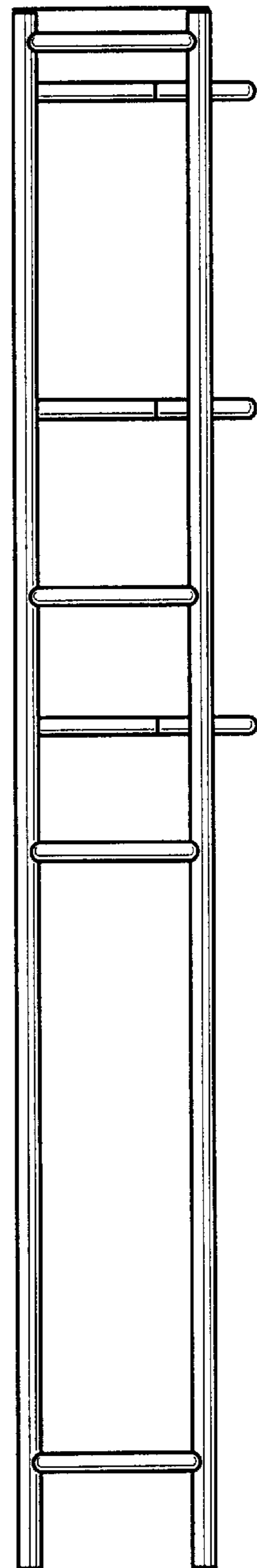


Figure - 6