



US00D454725S

(12) **United States Design Patent**
Lanham

(10) **Patent No.:** **US D454,725 S**

(45) **Date of Patent:** **** Mar. 26, 2002**

(54) **JEWELRY DISPLAY**

(74) *Attorney, Agent, or Firm*—Michael J. Striker

(75) **Inventor:** **Adria Lanham**, Williamsville, NY
(US)

(57) **CLAIM**

The ornamental design for a jewelry display, as shown and described.

(73) **Assignee:** **Bufkor, Inc.**, Clearwater, FL (US)

(**) **Term:** **14 Years**

DESCRIPTION

(21) **Appl. No.:** **29/141,915**

FIG. 1 is a top and side perspective view of a jewelry display showing my new design which is a mirror image of the opposite side thereof;

(22) **Filed:** **May 15, 2001**

FIG. 2 is a top view thereof;

(51) **LOC (7) Cl.** **06-04**

(52) **U.S. Cl.** **D6/449; D6/455; D6/486**

FIG. 3 is a side view thereof which is a mirror image of all of the sides thereof;

(58) **Field of Search** D6/396, 449, 455,
D6/486; 108/150; 206/6.1, 566; 248/346.01;
312/351.2

FIG. 4 is a top, side perspective view of a first alternative embodiment which is a mirror image of the opposite side thereof;

(56) **References Cited**

U.S. PATENT DOCUMENTS

D255,628 S	*	7/1980	Koert	D6/486
D373,912 S	*	9/1996	Roig et al.	D6/396
D381,535 S	*	7/1997	Richardson	D6/486
D417,928 S	*	12/1999	Camacho	D26/106

FIG. 5 is a top, side perspective view of a second alternative embodiment which is a mirror image of the opposite side thereof; and,

OTHER PUBLICATIONS

Furniture Today, Pedestal, p. 175, Oct. 19, 1998.*

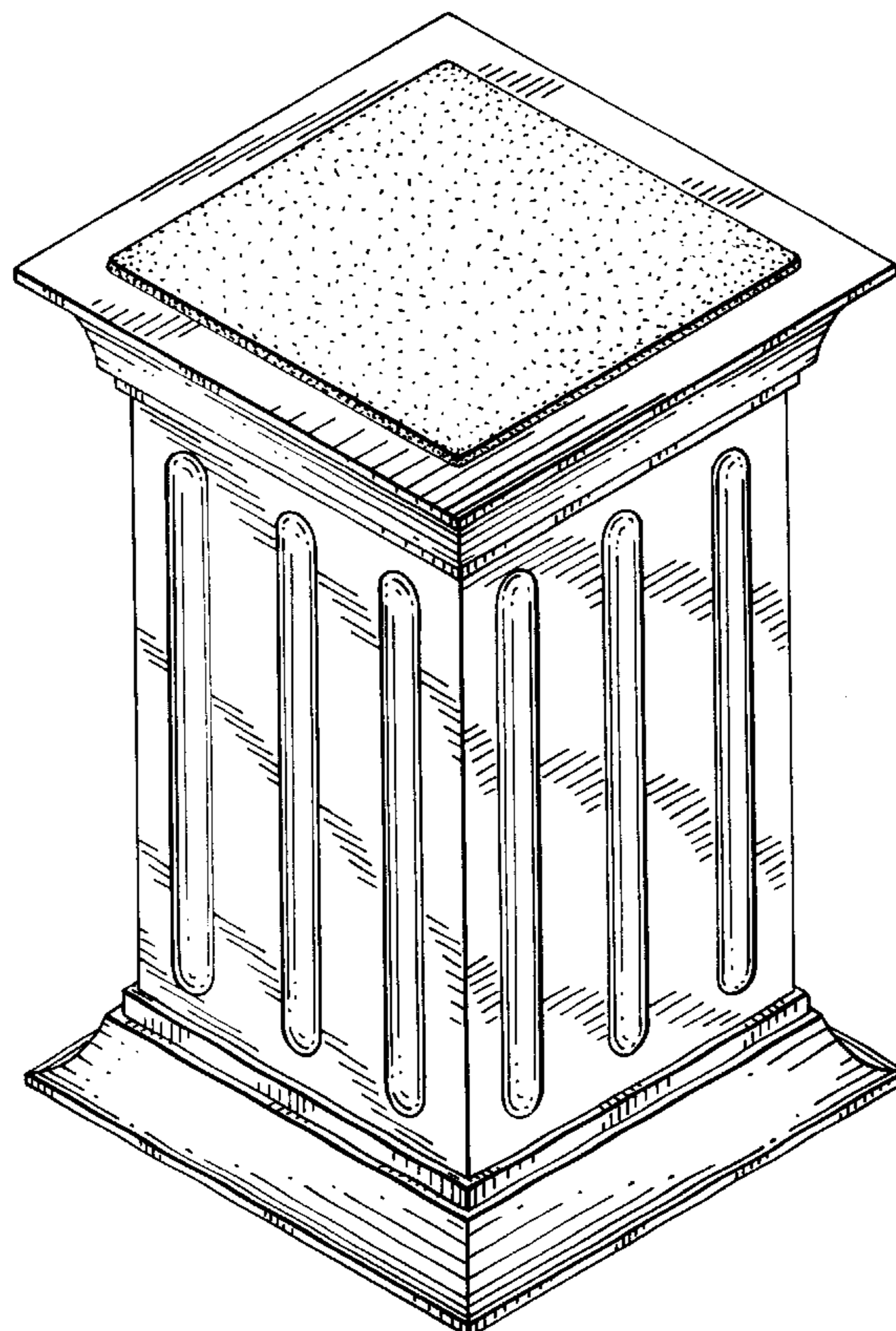
FIG. 6 is a top, side perspective view of a third alternate embodiment which is also a mirror image of the opposite side thereof.

* cited by examiner

The sides of FIGS. 4–6 are the same as FIG. 3 except for the height and width differences thereof.

Primary Examiner—Cathron C. Brooks

1 Claim, 4 Drawing Sheets



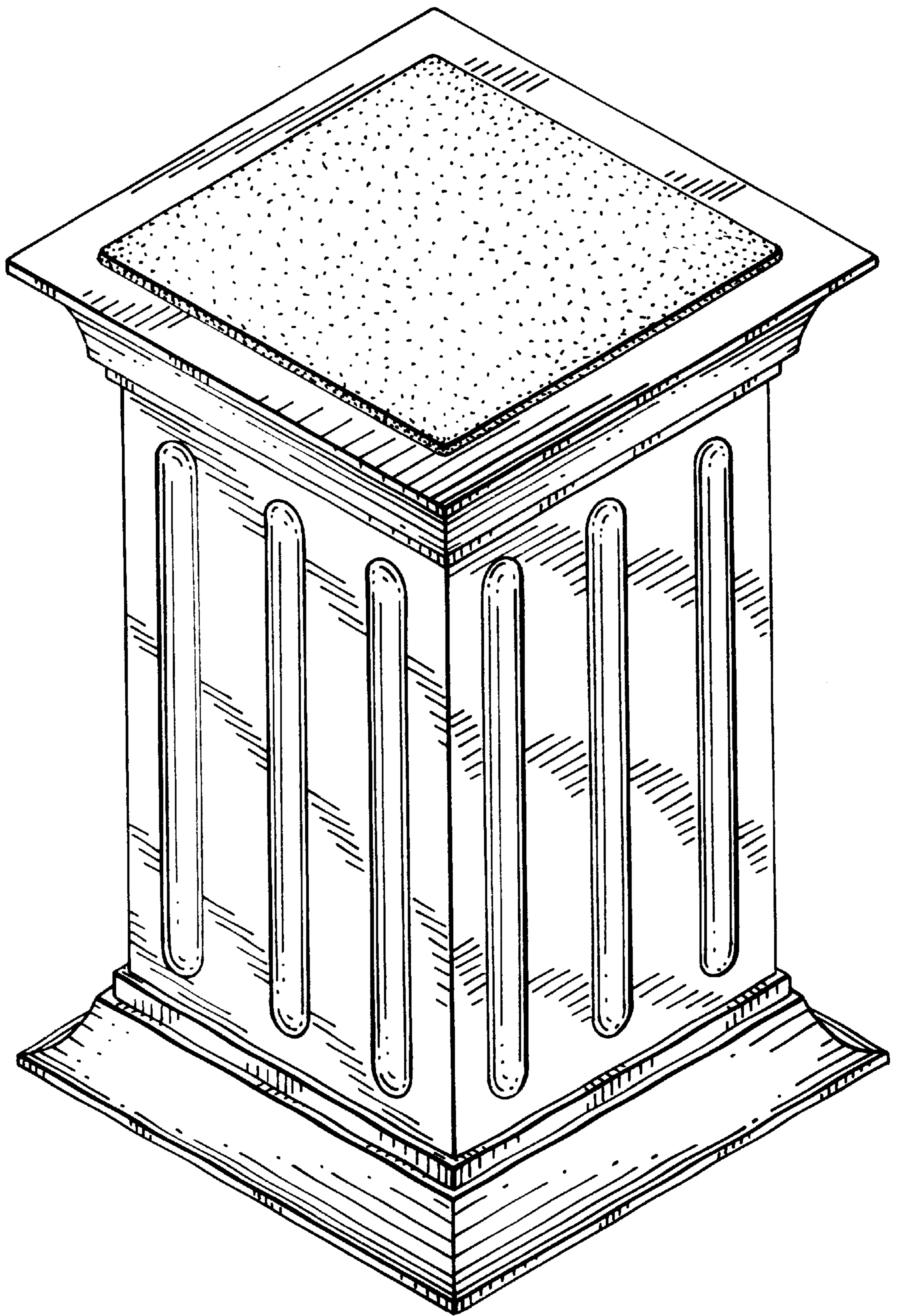


FIG. 1

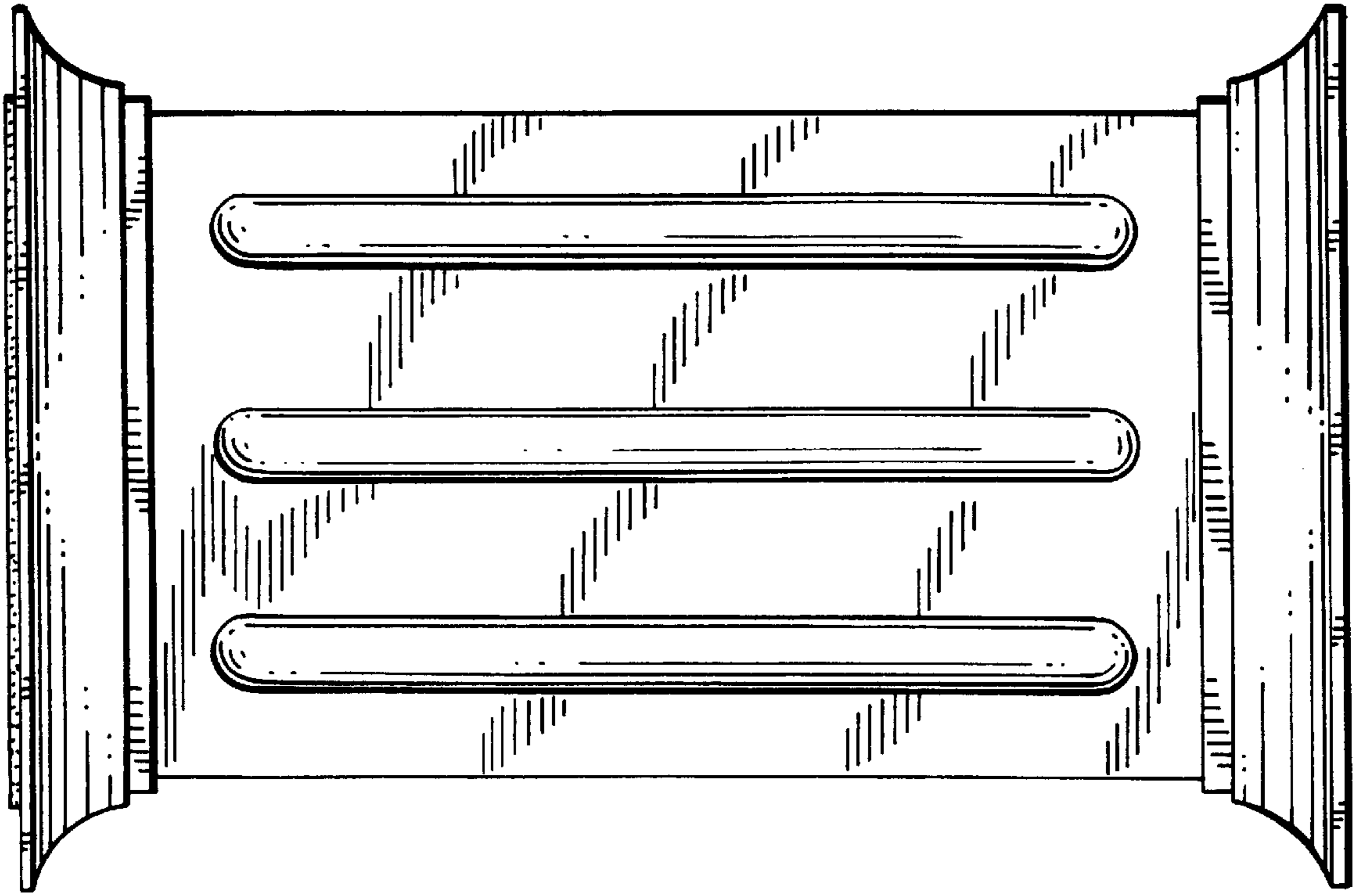


FIG. 2

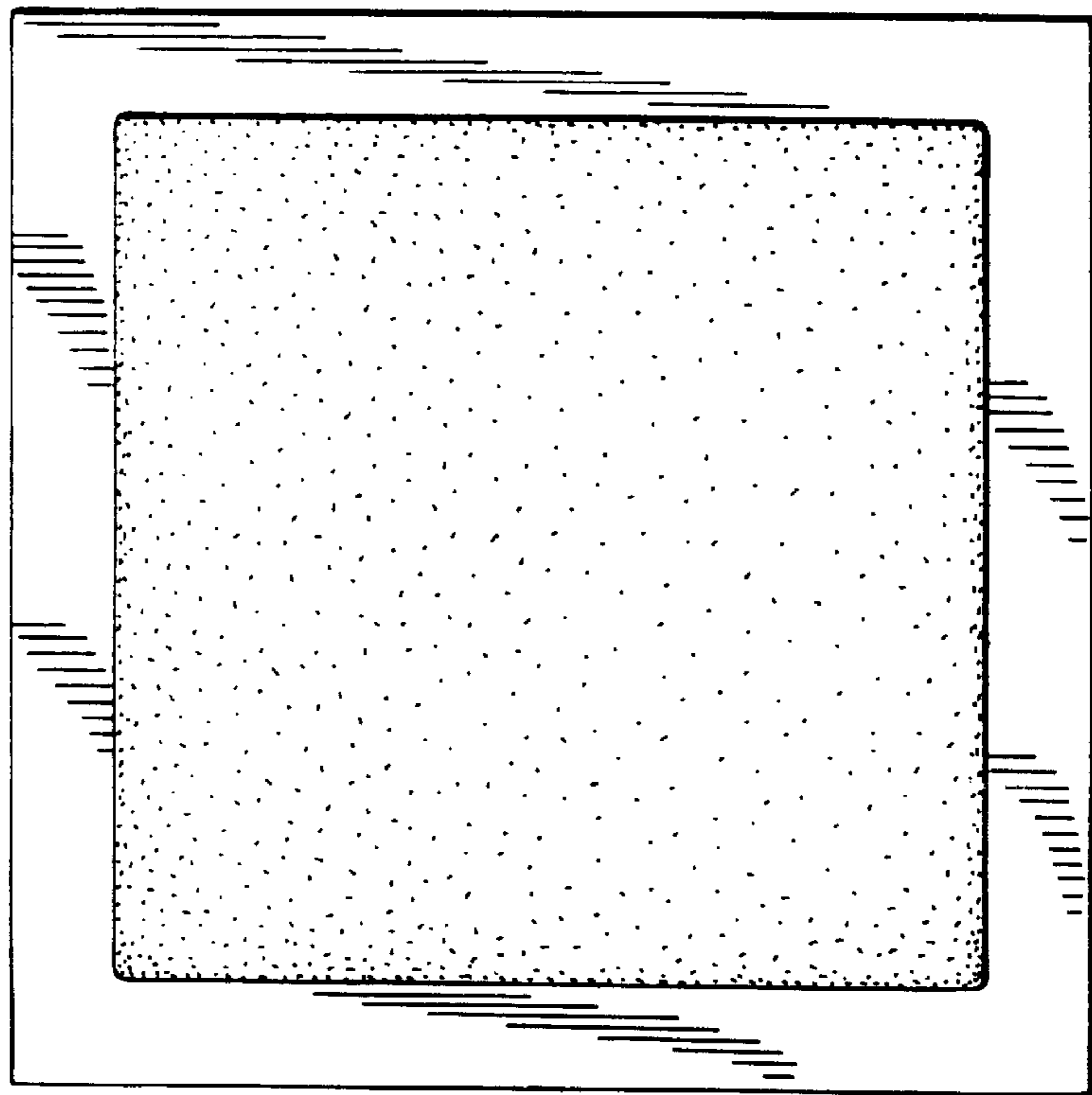


FIG. 3

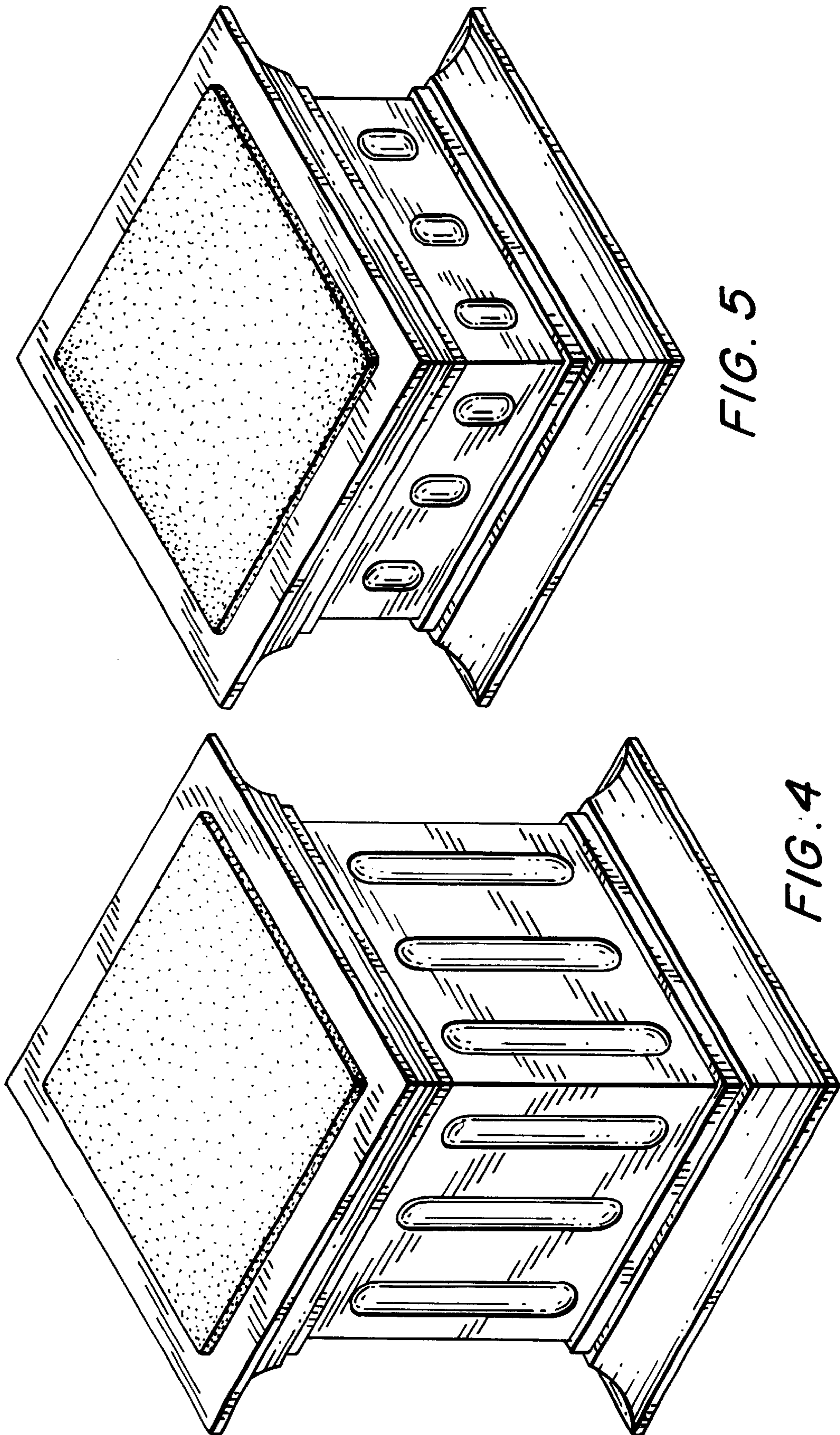


FIG. 5

FIG. 4

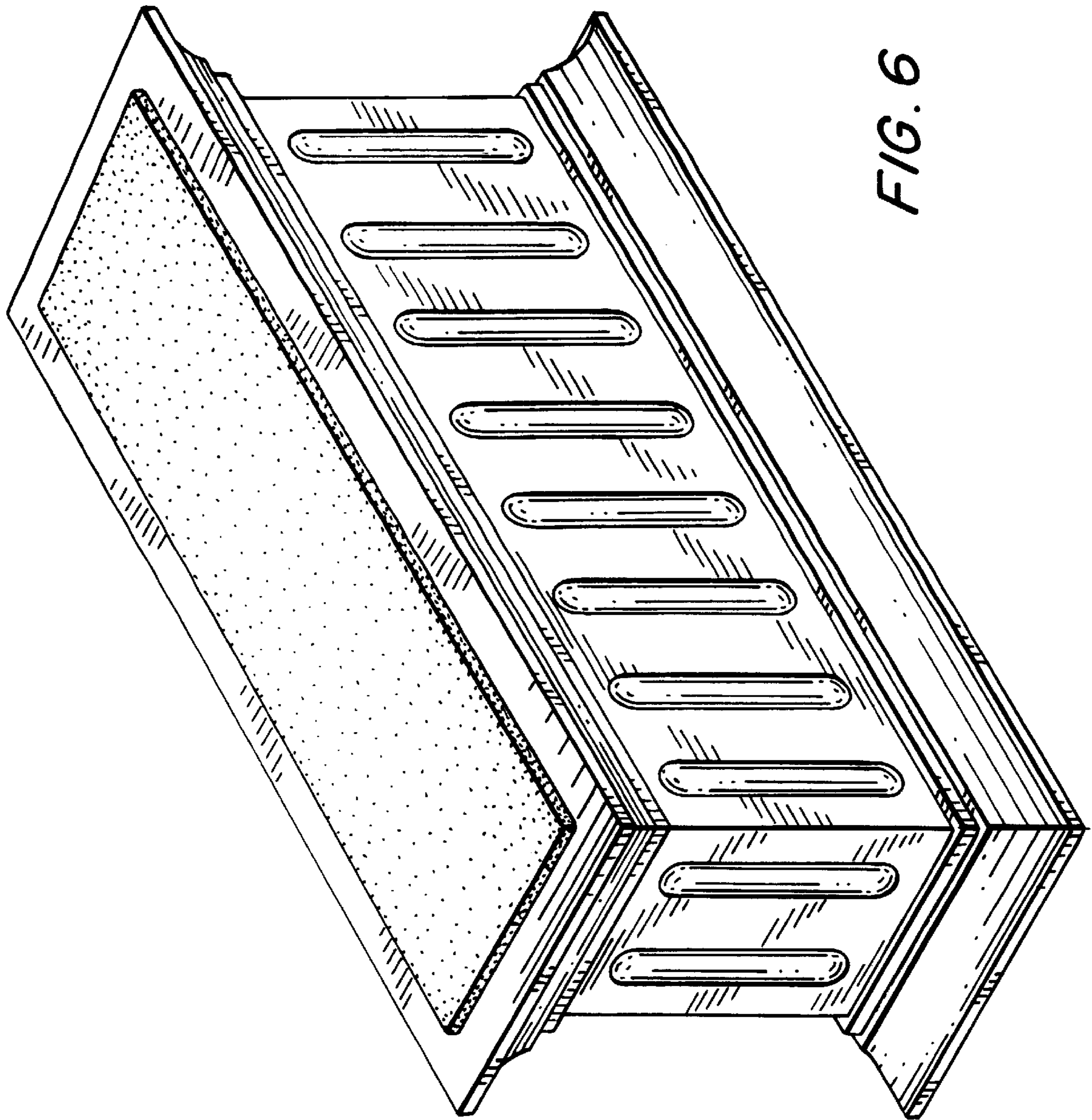


FIG. 6