



US00D454717S

(12) **United States Design Patent**
Natuzzi et al.

(10) **Patent No.:** **US D454,717 S**
(45) **Date of Patent:** **** Mar. 26, 2002**

- (54) **SEAT**
- (75) Inventors: **Pasquale Natuzzi**, Bari; **Cosimo Suma**,
Matera, both of (IT)
- (73) Assignee: **Industrie Natuzzi, SpA**, Bari (IT)
- (**) Term: **14 Years**
- (21) Appl. No.: **29/120,181**
- (22) Filed: **Mar. 15, 2000**
- (51) **LOC (7) Cl.** **06-01**
- (52) **U.S. Cl.** **D6/381; D6/334**
- (58) **Field of Search** D6/334, 335, 336,
D6/364, 371, 381, 500, 501, 502; 5/12.1;
297/232, 445.1

(56) **References Cited**

U.S. PATENT DOCUMENTS

D334,484 S	*	4/1993	Gibson	D6/334
D360,773 S	*	8/1995	Natuzzi et al.	D6/381
D372,808 S	*	8/1996	Natuzzi et al.	D6/381
D409,014 S	*	5/1999	Natuzzi et al.	D6/381
D418,991 S	*	1/2000	Natuzzi et al.	D6/381
D424,826 S	*	5/2000	Natuzzi et al.	D6/381

OTHER PUBLICATIONS

- Natuzzi Model 1463, International Home Furnishings Market, High Point, NC, Apr. 1996.*
- Natuzzi Model 183, Mar. 1987, at International Home Furnishings Market in High Point, North Carolina.
- Natuzzi Model 710, Oct. 1989, at International Home Furnishings Market in High Point, North Carolina.
- Natuzzi Model 720, Oct. 1989, at International Home Furnishings Market in High Point, North Carolina.
- Natuzzi Model 731, Oct. 1989, at International Home Furnishings Market in High Point, North Carolina.
- Natuzzi Model 783, Oct. 1990, at International Home Furnishings Market in High Point, North Carolina.
- Natuzzi Model 842, Apr. 1991, at International Home Furnishings Market in High Point, North Carolina.

- Natuzzi Model 869, Oct. 1991, at International Home Furnishings Market in High Point, North Carolina.
- Natuzzi Model 982, Oct. 1992, at International Home Furnishings Market in High Point, North Carolina.
- Natuzzi Model 1010, Mar. 1993, at International Home Furnishings Market in High Point, North Carolina.
- Natuzzi Model 1046, Apr. 1993, at International Home Furnishings Market in High Point, North Carolina.
- Natuzzi Model 1070, Sep. 1993, at International Home Furnishings Market in High Point, North Carolina.
- Natuzzi Model 1078, Sep. 1993, at International Home Furnishings Market in High Point, North Carolina.
- Natuzzi Model 1079, Sep. 1993, at International Home Furnishings Market in High Point, North Carolina.
- Natuzzi Model 1162, Apr. 1994, at International Home Furnishings Market in High Point, North Carolina.

(List continued on next page.)

Primary Examiner—Gary D. Watson
(74) *Attorney, Agent, or Firm*—Alston & Bird LLP

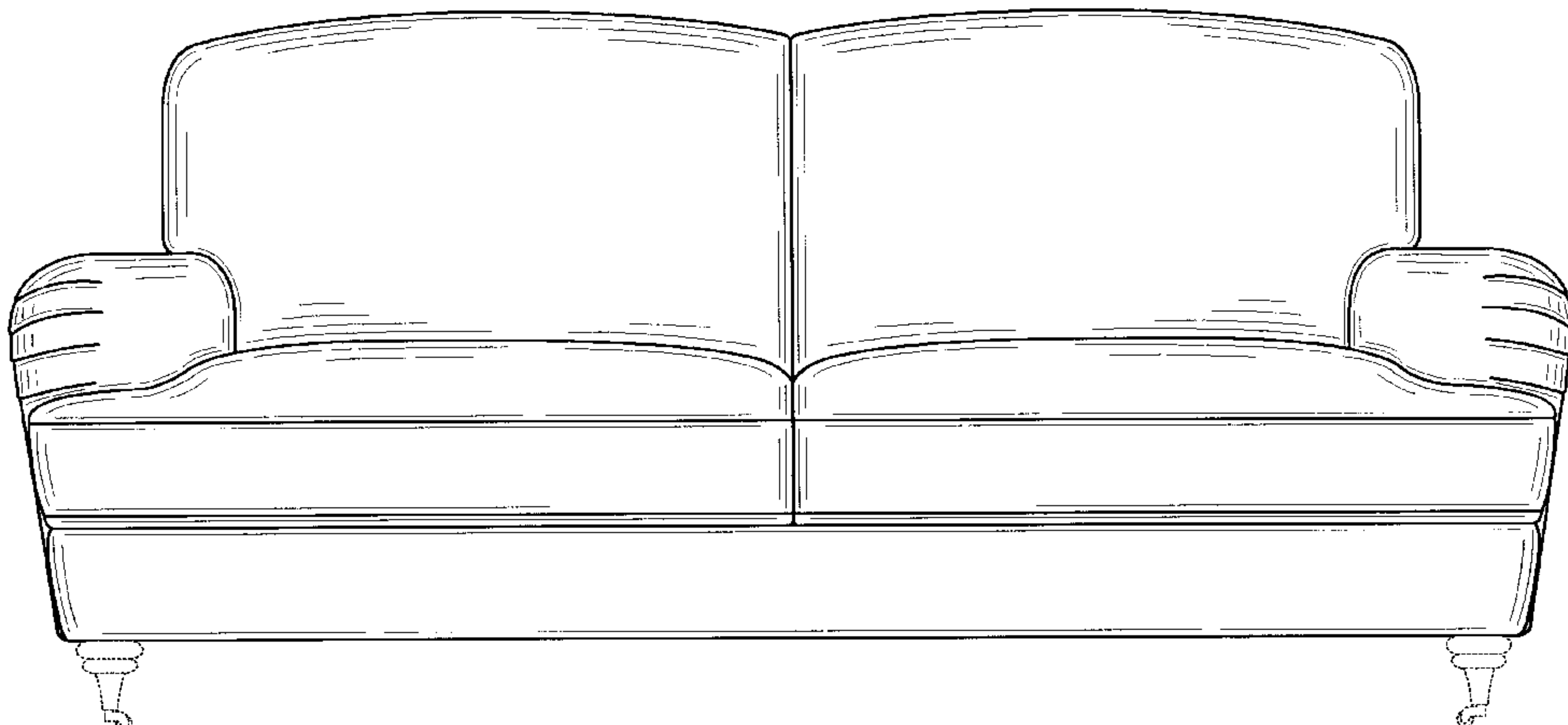
(57) **CLAIM**

The ornamental design for a seat, as shown and described.

DESCRIPTION

FIG. 1 is a front perspective view of a seat showing our new design in the form of a sofa;
 FIG. 2 is a front elevational view thereof;
 FIG. 3 is a top plan view thereof;
 FIG. 4 is a right side elevational view, the left side being a mirror image thereof;
 FIG. 5 is a rear elevational view thereof;
 FIG. 6 is a front elevational view of a seat showing our new design in the form of a loveseat; and,
 FIG. 7 is a front elevational view of a seat showing our new design in the form of a chair.
 The broken lines shown herein are for illustrative purposes only and form no part of the claimed design.
 The rear views of FIGS. 6 and 7 are like FIG. 5, the difference being a matter of length.
 The end views of FIGS. 6 and 7 are like FIG. 4.
 FIG. 1 is shown on an enlarged scale with respect to the other views.

1 Claim, 3 Drawing Sheets



OTHER PUBLICATIONS

Natuzzi Model 1179/1253, Apr. 1994, at International Home Furnishings Market in High Point, North Carolina.

Natuzzi Model 1196, Oct. 1994, at International Home Furnishings Market in High Point, North Carolina.

Natuzzi Model 1203, Oct. 1994, at International Home Furnishings Market in High Point, North Carolina.

Natuzzi Model 1234/1251, Oct. 1994, at International Home Furnishings Market in High Point, North Carolina.

Natuzzi Model 1267, Mar. 1995, at International Home Furnishings Market in High Point, North Carolina.

Natuzzi Model 1268, Mar. 1995, at International Home Furnishings Market in High Point, North Carolina.

Natuzzi Model 1312, Apr. 1995, at International Home Furnishings Market in High Point, North Carolina.

Natuzzi Model 1313, Apr. 1995, at International Home Furnishings Market in High Point, North Carolina.

Natuzzi Model 1319, Apr. 1995, at International Home Furnishings Market in High Point, North Carolina.

Natuzzi Model 1331, Sep. 1995, at International Home Furnishings Market in High Point, North Carolina.

Natuzzi Model 1414, Mar. 1996, at International Home Furnishings Market in High Point, North Carolina.

Natuzzi Model 1654, Oct. 1997, at International Home Furnishings Market in High Point, North Carolina.

Natuzzi Model R682, Apr. 1998, at International Home Furnishings Market in High Point, North Carolina.

* cited by examiner

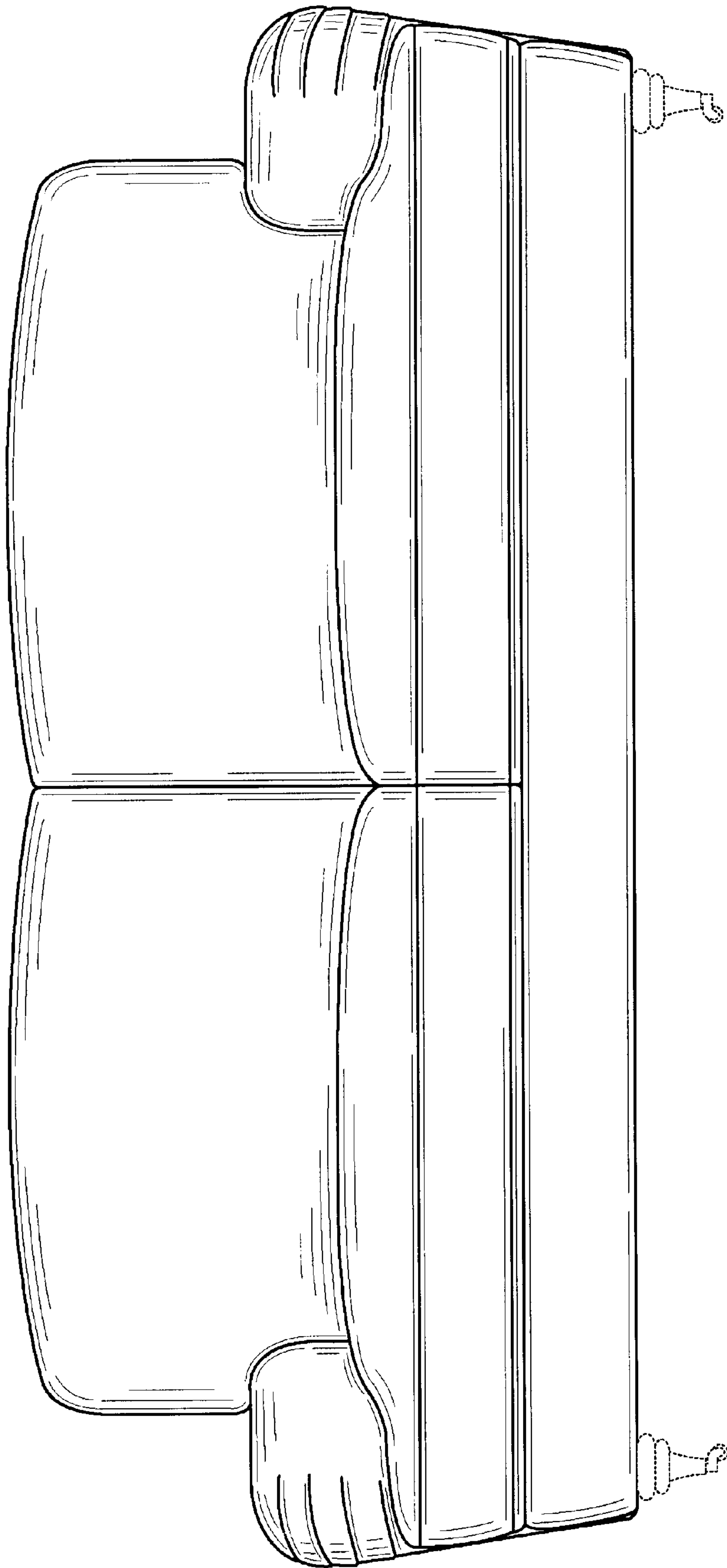


FIG. 1.

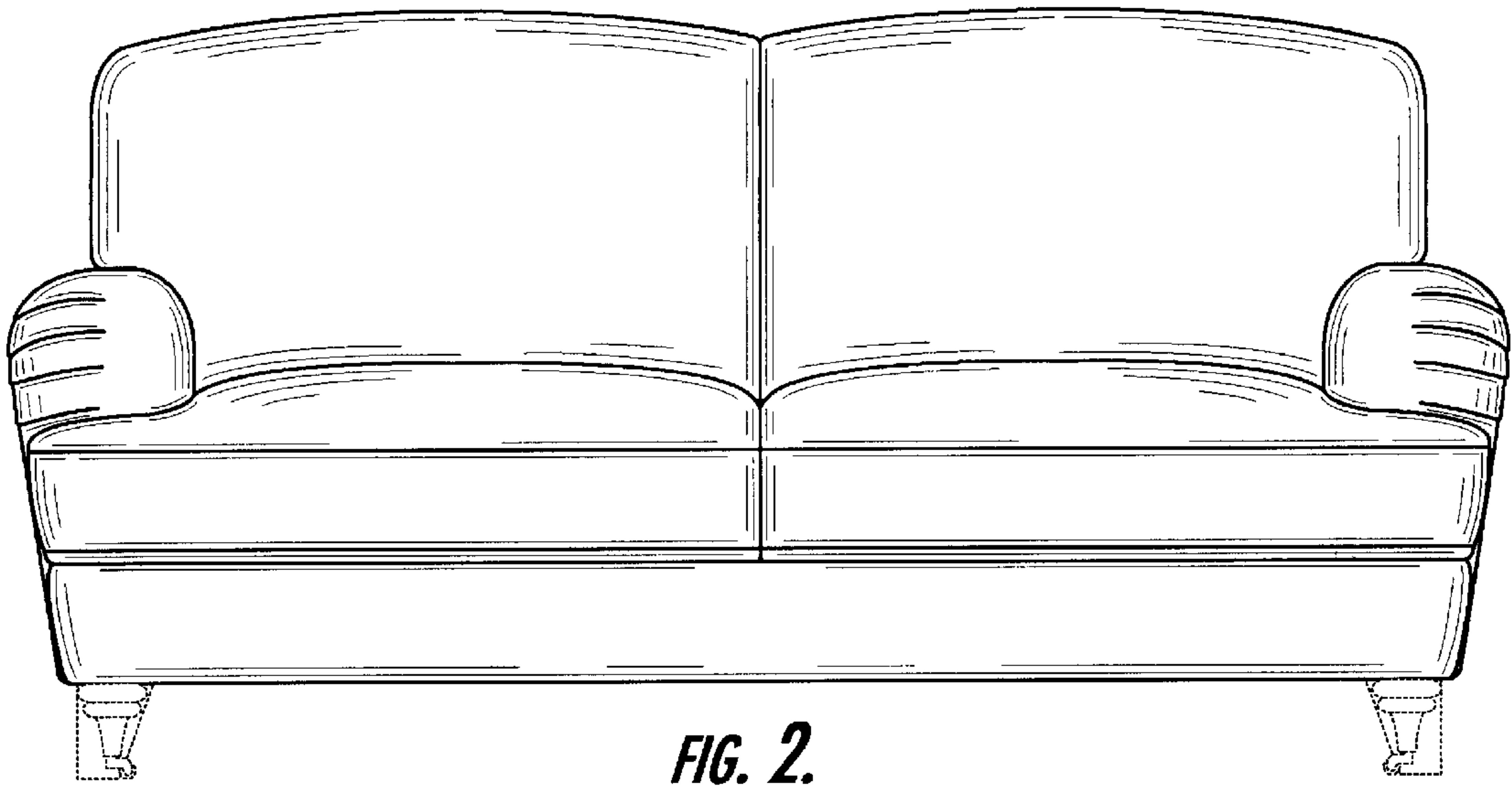


FIG. 2.

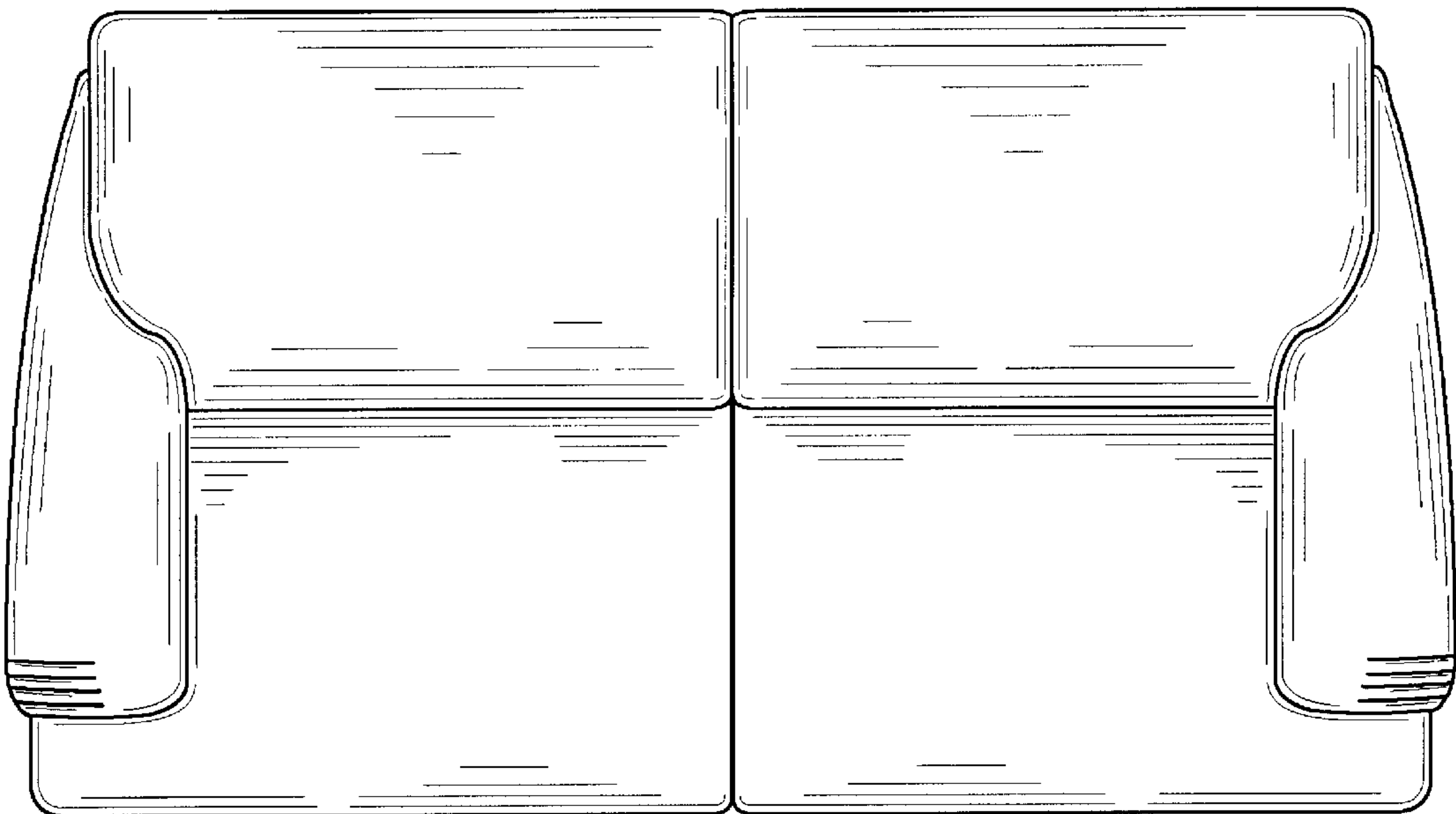
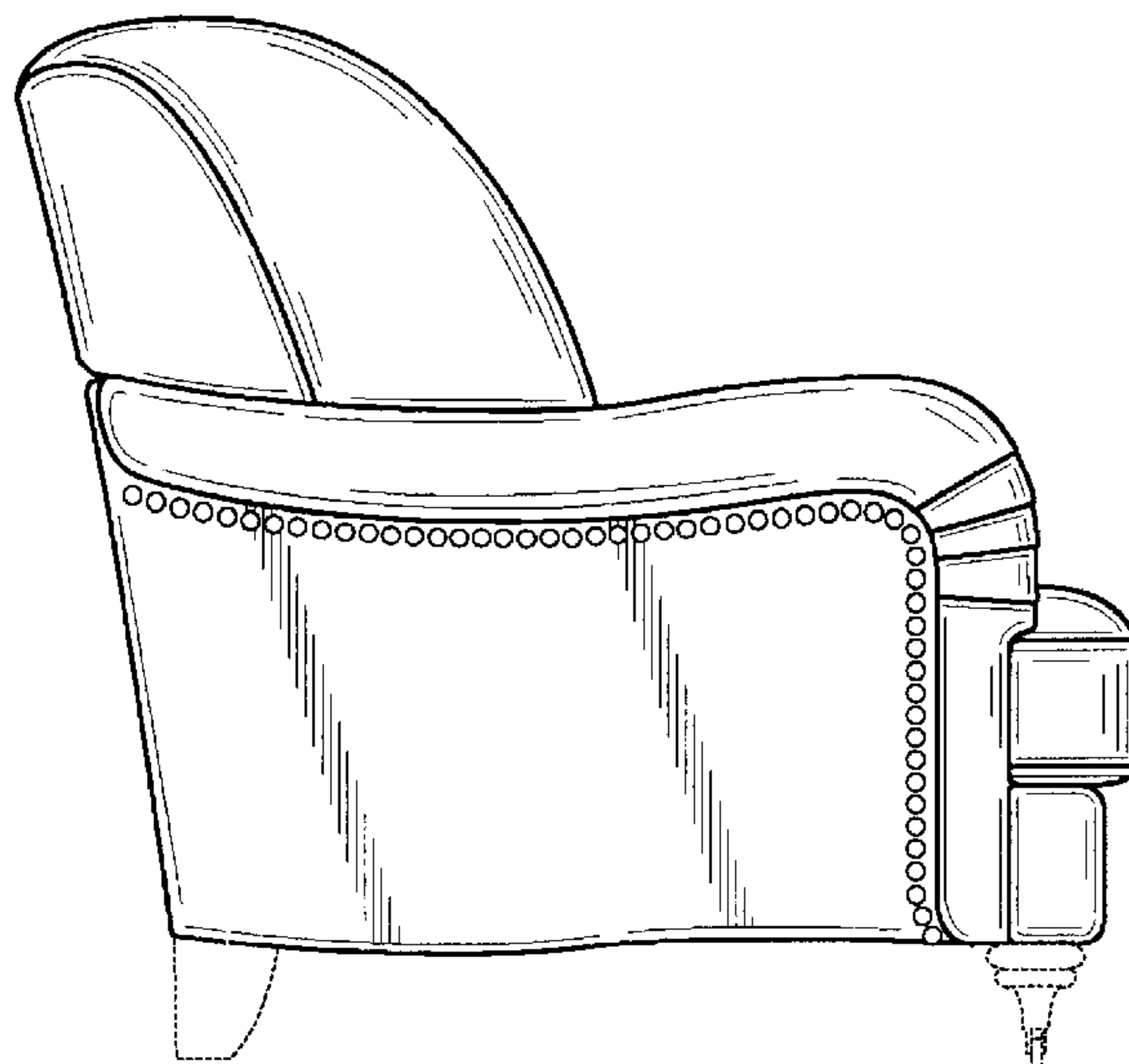


FIG. 3.

FIG. 4.



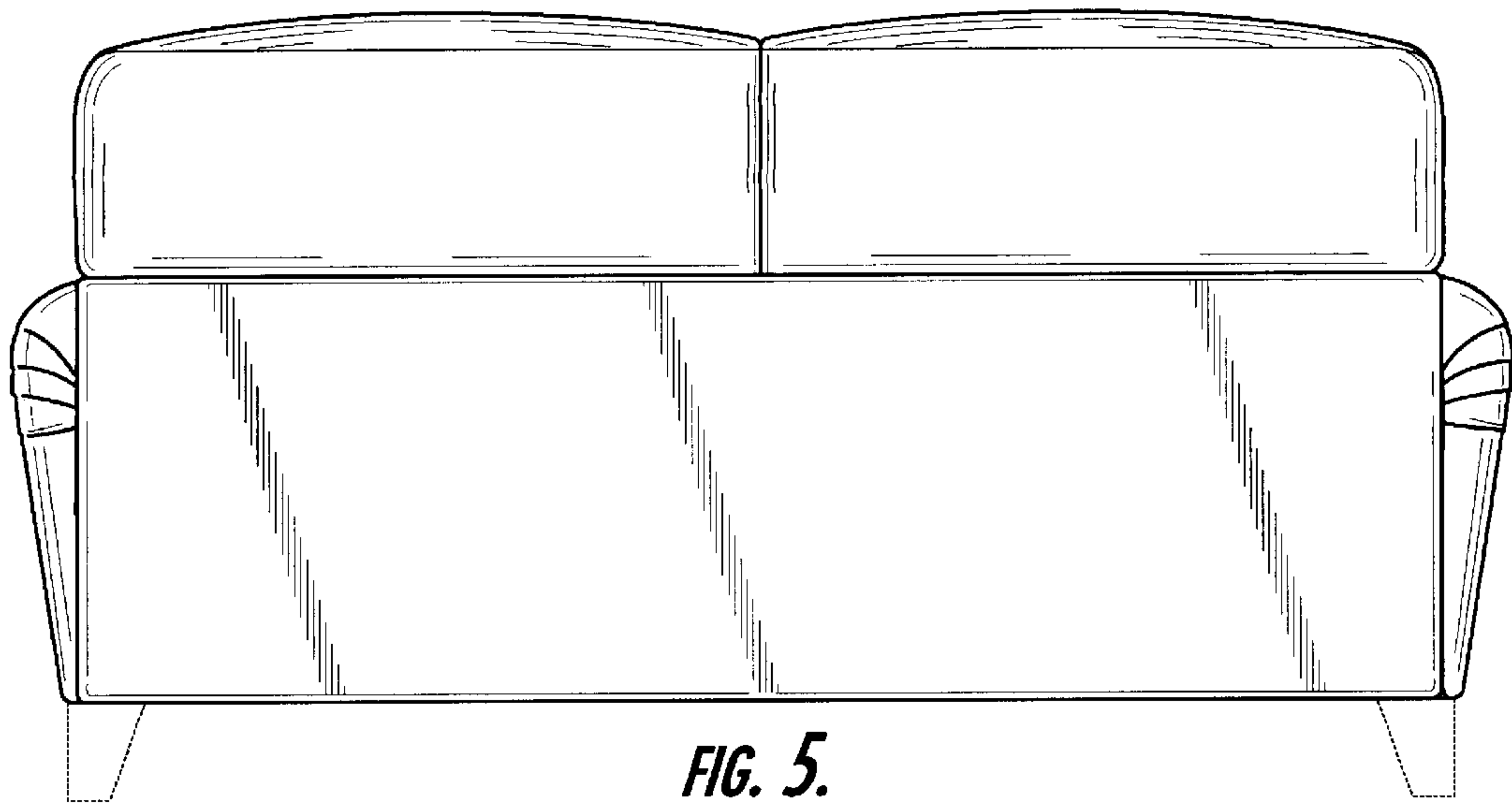


FIG. 5.

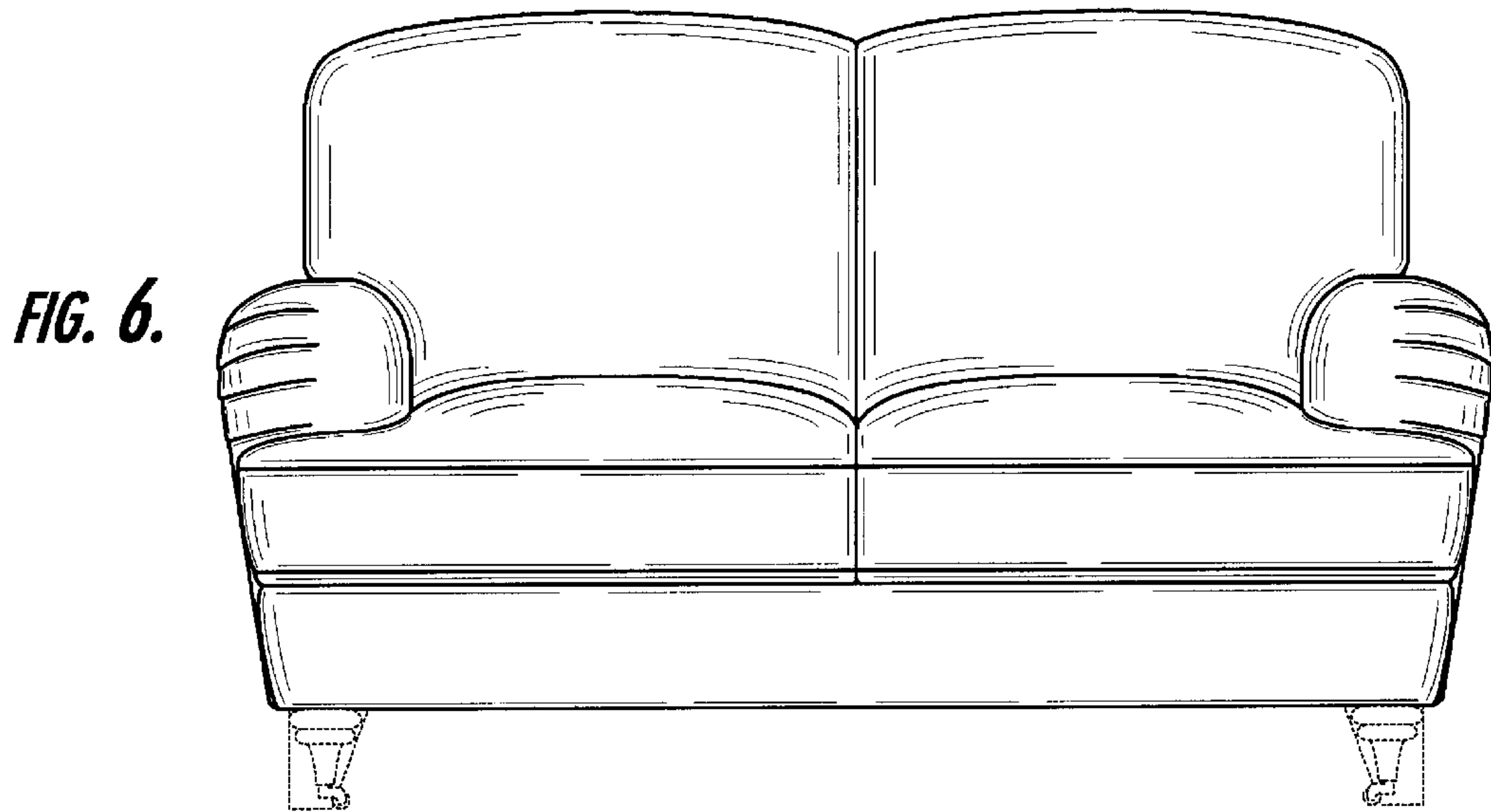


FIG. 6.

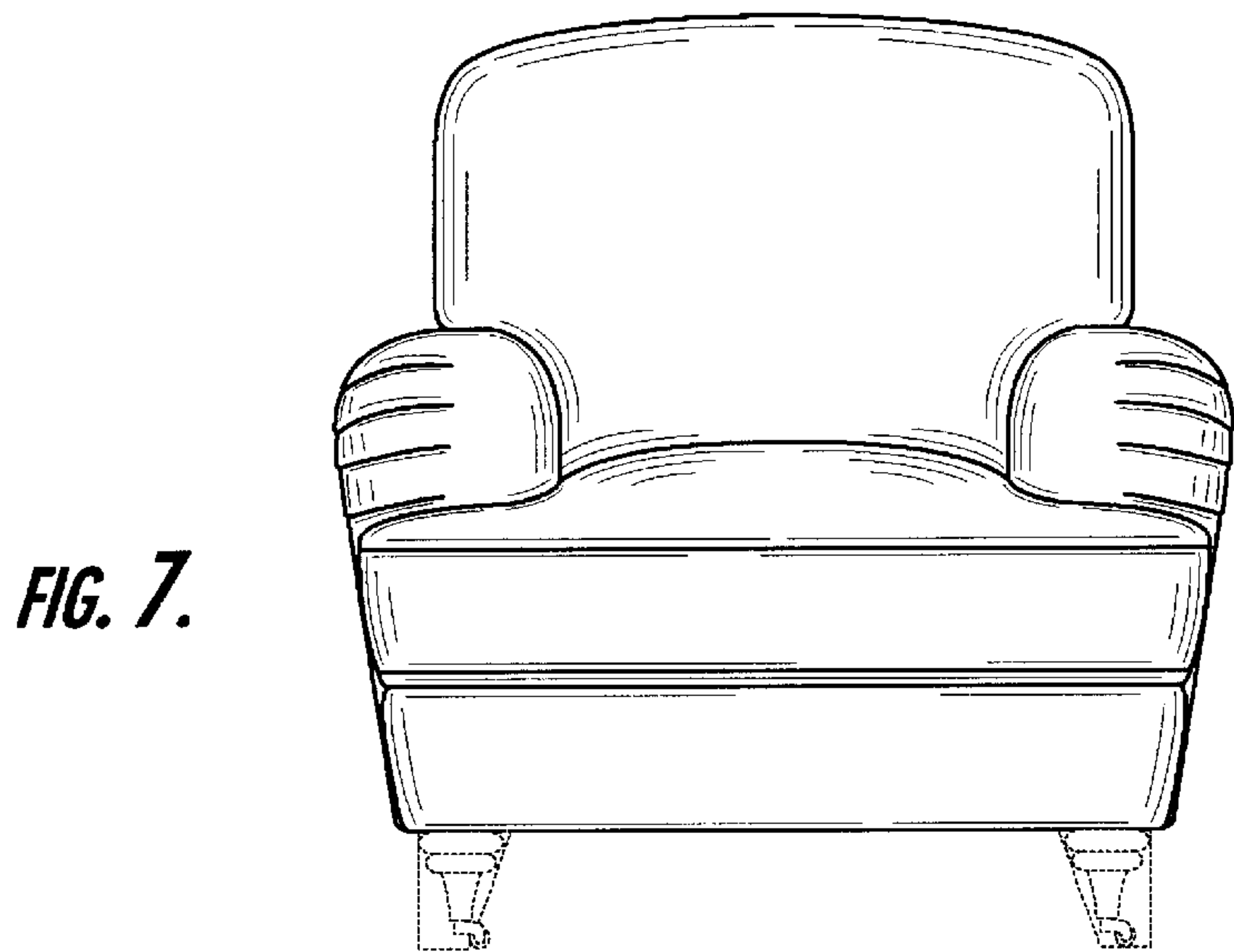


FIG. 7.