



US00D454716S

(12) **United States Design Patent**
Tseng

(10) **Patent No.:** **US D454,716 S**

(45) **Date of Patent:** **** Mar. 26, 2002**

(54) **CHAIR**

D437,137 S * 2/2001 Tseng D6/376 X

(75) Inventor: **Chuen-Jong Tseng**, Chiayi Hsien (TW)

OTHER PUBLICATIONS

(73) Assignee: **Shin Yeh Enterprise Co., Ltd.**, Chiayi Hsien (TW)

Thinline, p. 38, chair # 2075-38 at bottom as marked.*

(**) Term: **14 Years**

* cited by examiner

(21) Appl. No.: **29/139,706**

Primary Examiner—Gary D. Watson

(22) Filed: **Apr. 4, 2001**

(74) *Attorney, Agent, or Firm*—Ladas & Parry

(51) **LOC (7) Cl.** **06-01**

(57) **CLAIM**

(52) **U.S. Cl.** **D6/379; D6/380**

The ornamental design for chair, as shown and described.

(58) **Field of Search** D6/334, 374, 376, D6/379, 380, 500, 501, 502; 297/446.1

DESCRIPTION

(56) **References Cited**

FIG. 1 is a perspective view of chair showing my new design;

FIG. 2 is a front elevational view thereof;

FIG. 3 is a rear elevational view thereof;

FIG. 4 is a left side elevational view thereof;

FIG. 5 is a right side elevational view thereof;

FIG. 6 is a top plan view thereof; and,

FIG. 7 is a bottom plan view thereof.

U.S. PATENT DOCUMENTS

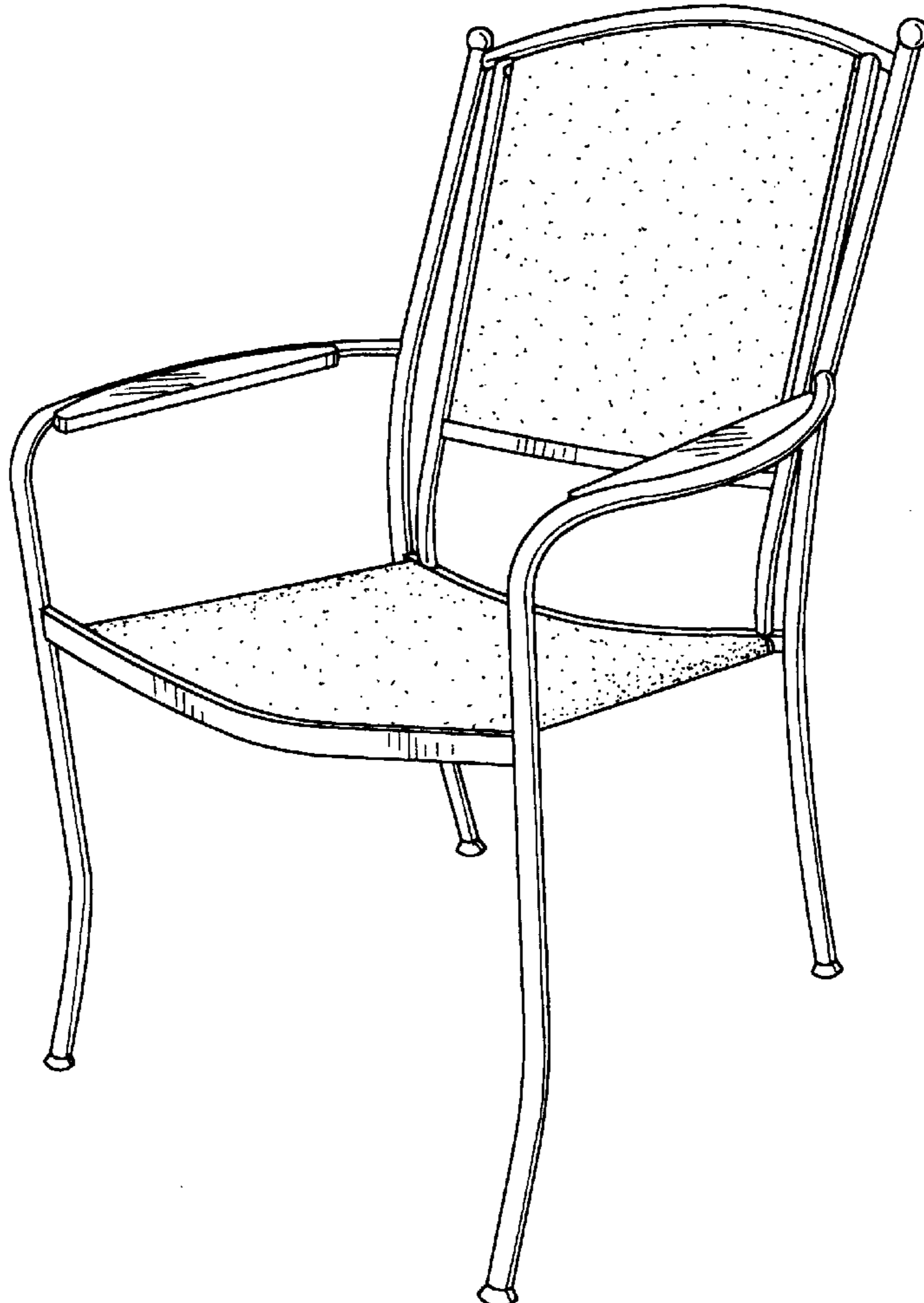
D194,031 S * 11/1962 Jensen et al. D6/379

D279,438 S * 7/1985 Gerner D6/380

D333,750 S * 3/1993 Hess D6/500

D434,241 S * 11/2000 Tseng D6/376

1 Claim, 4 Drawing Sheets



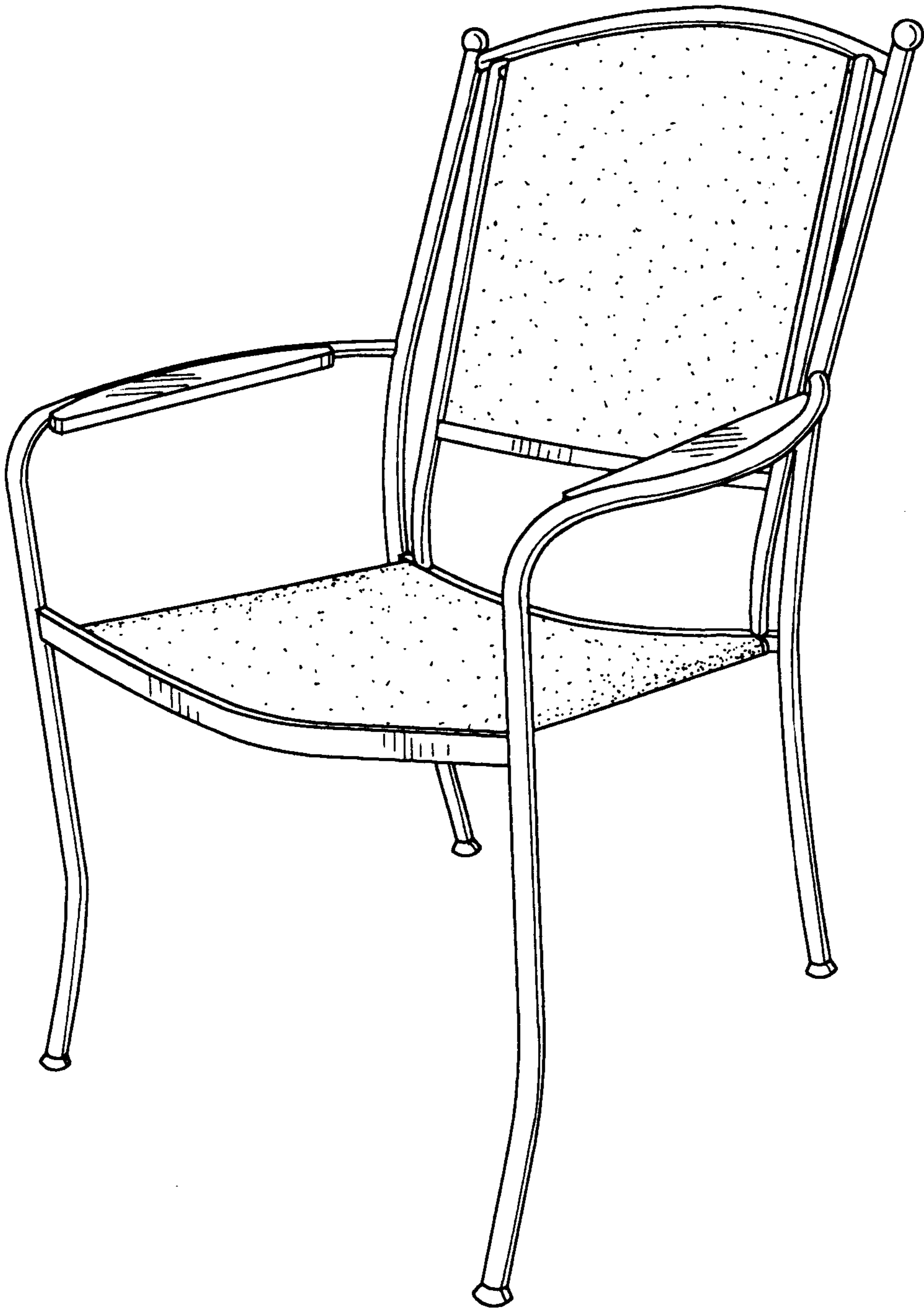


FIG. 1

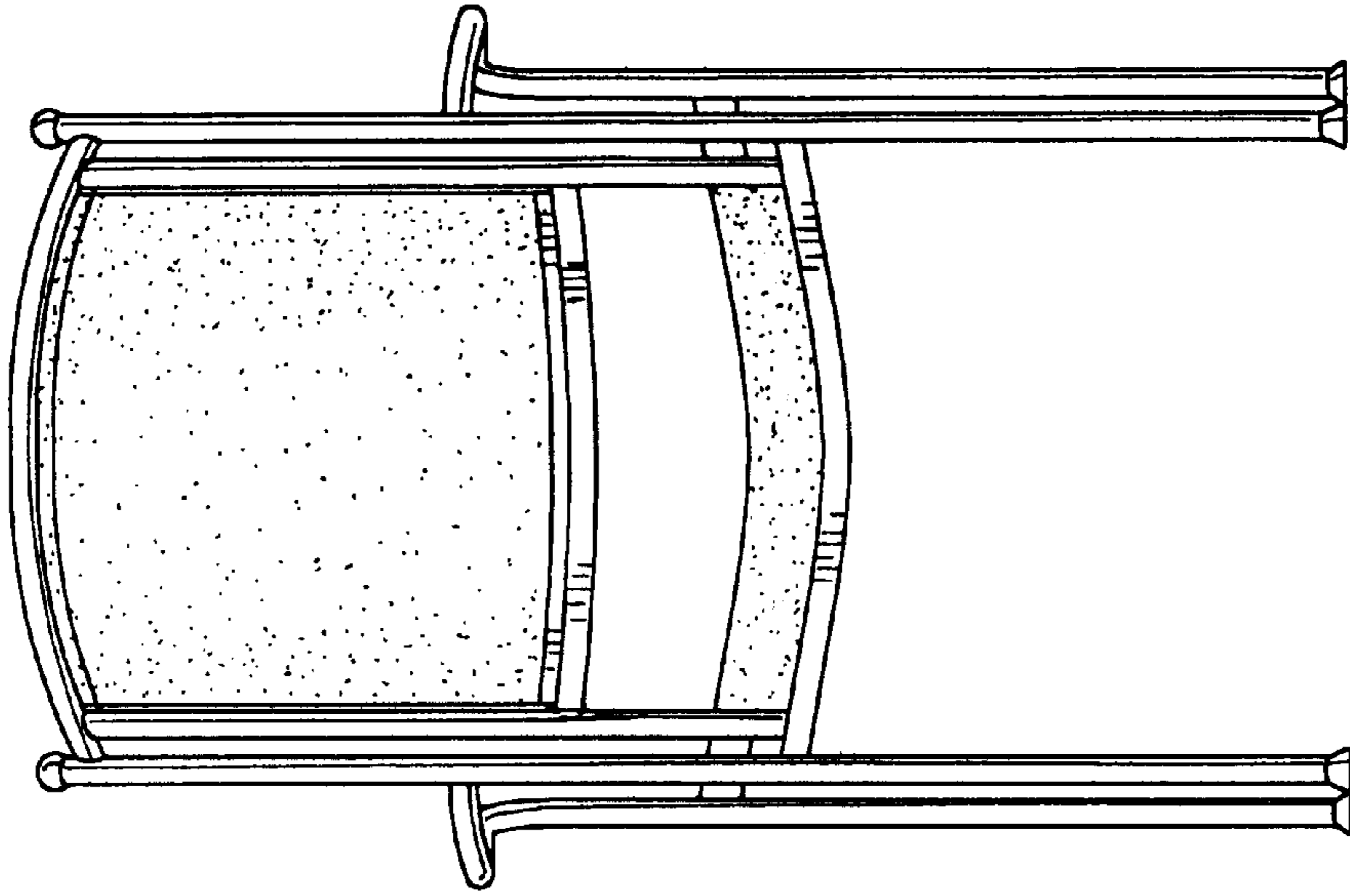


FIG. 3

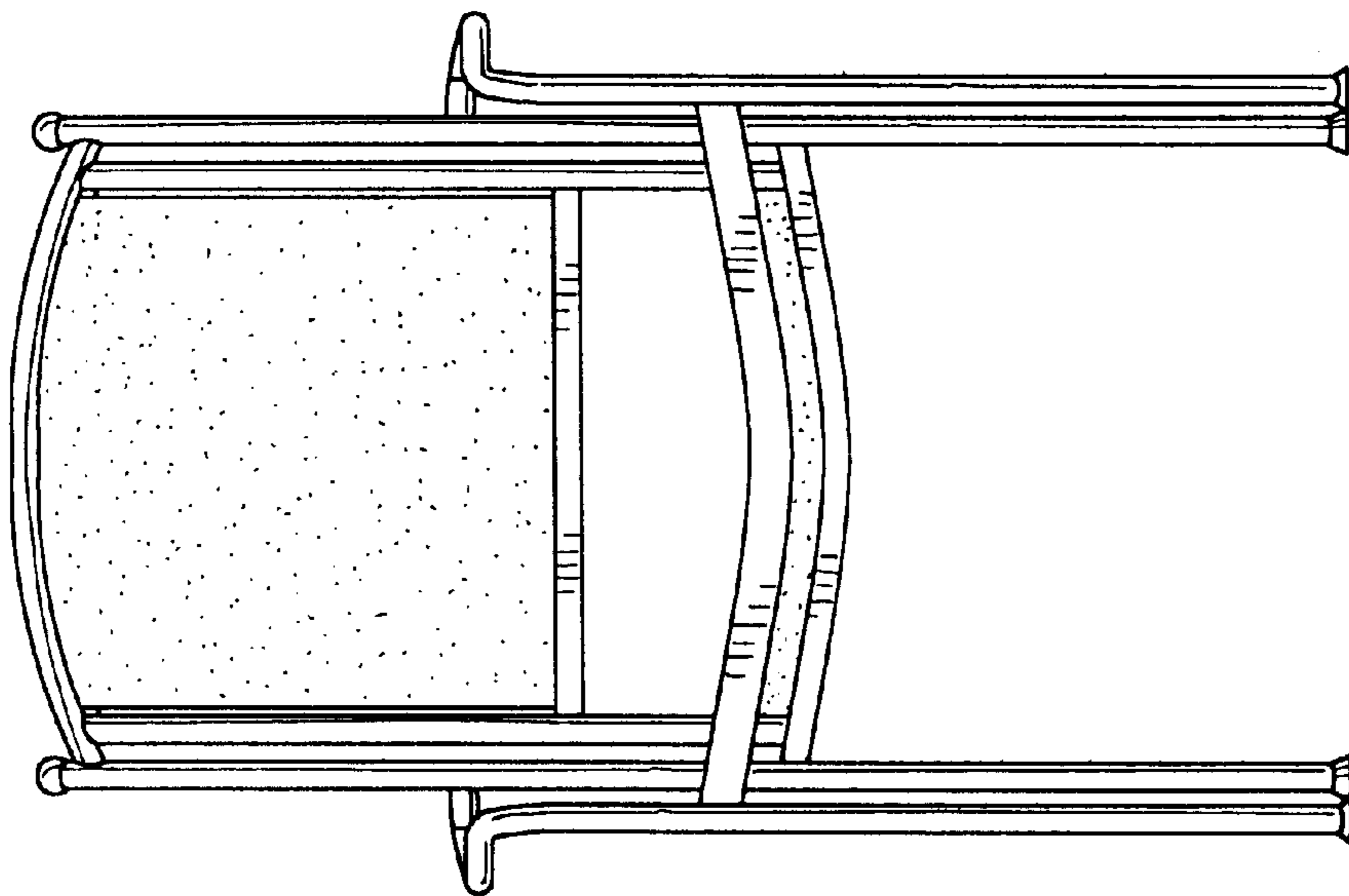


FIG. 2

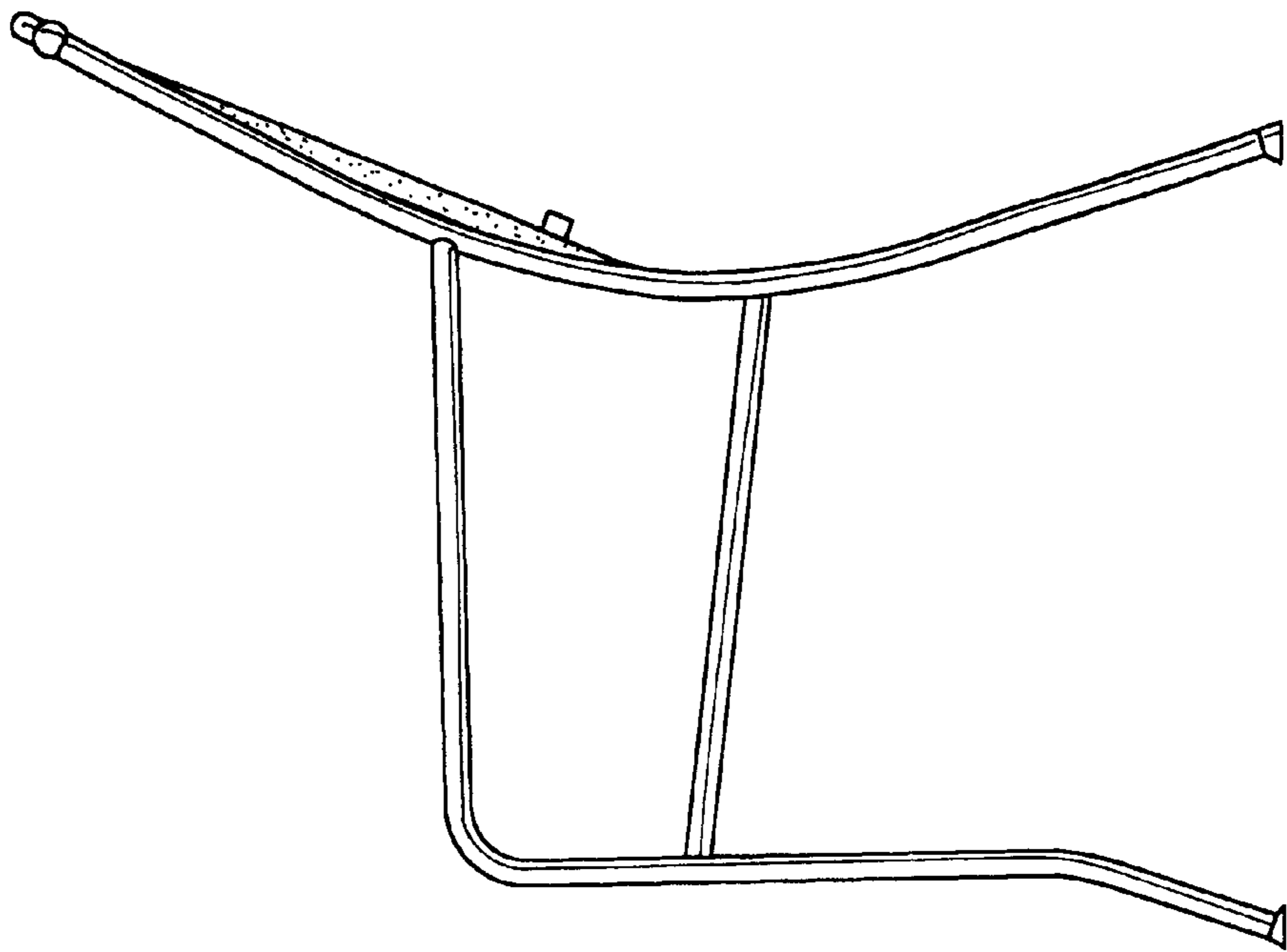


FIG. 5

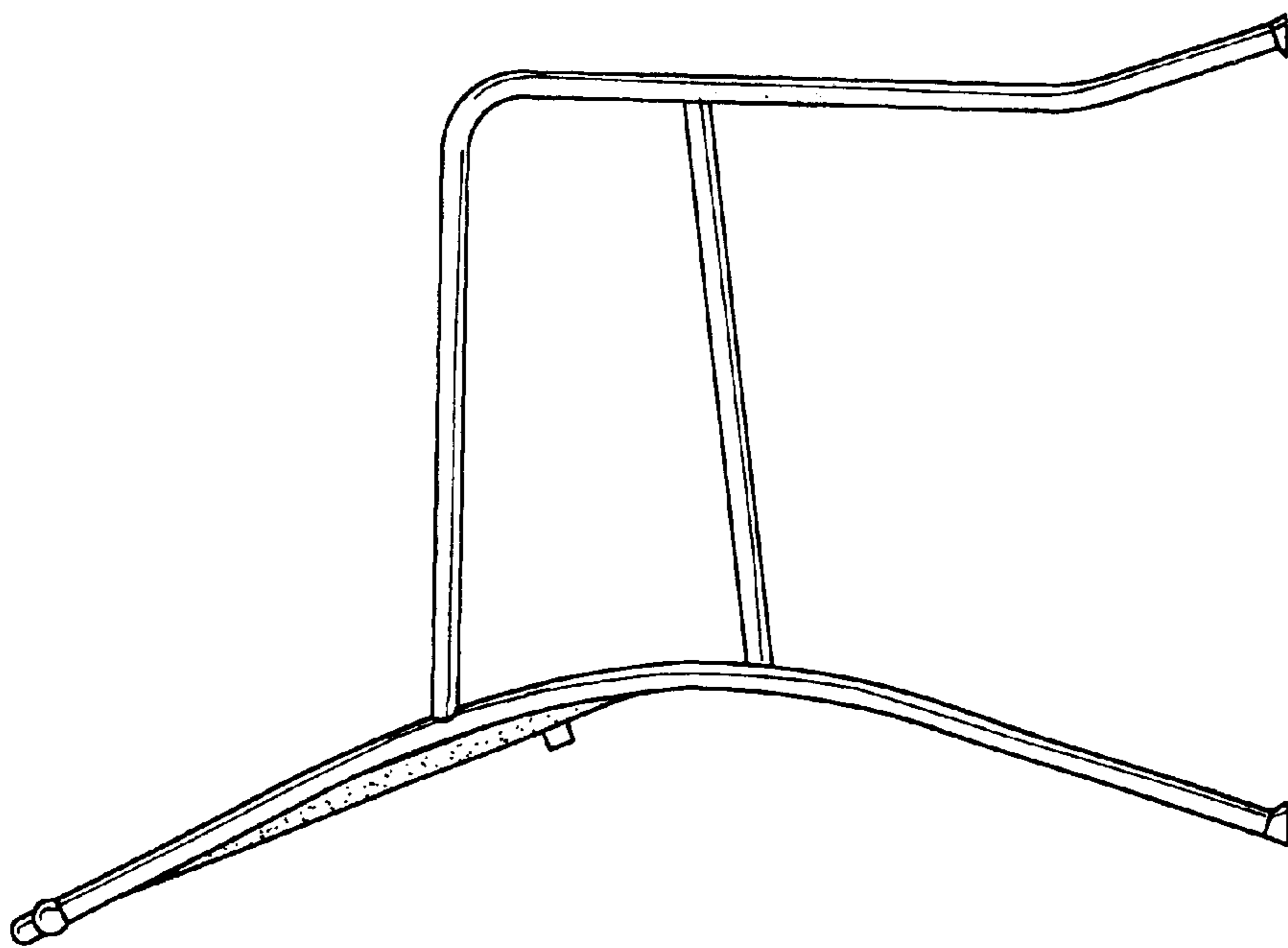


FIG. 4

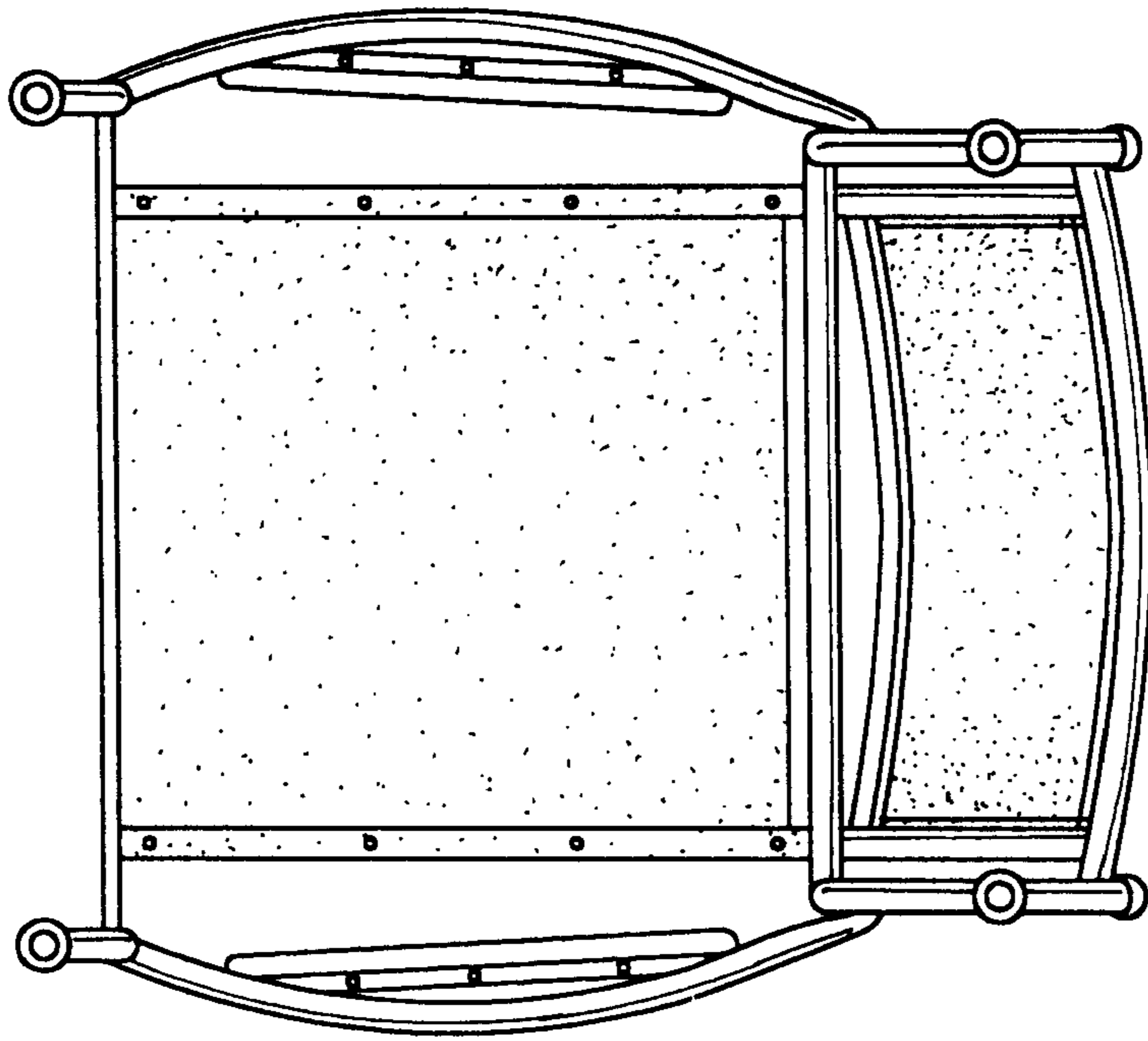


FIG. 7

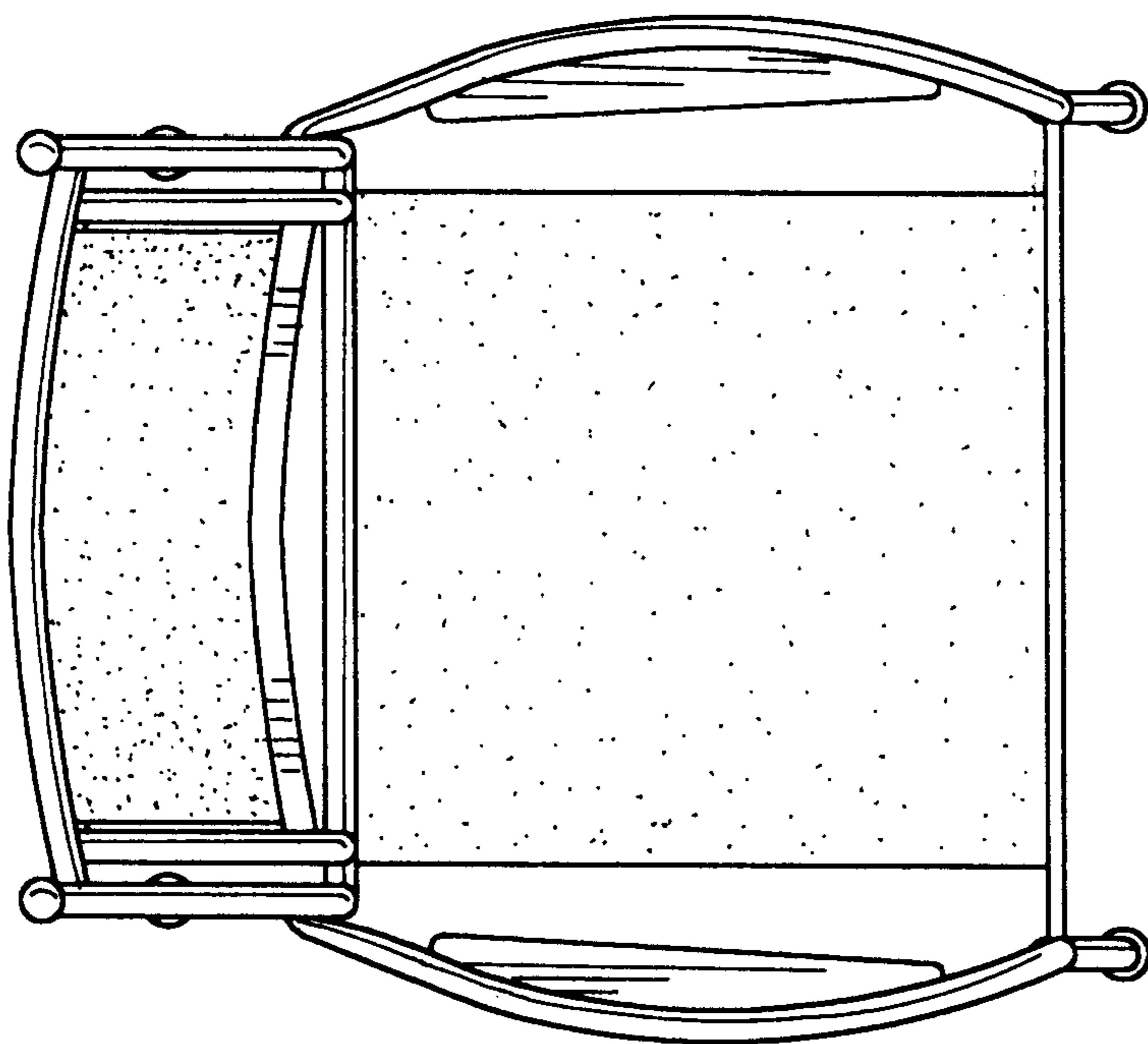


FIG. 6