



US00D454706S

(12) **United States Design Patent**
Volkman et al.

(10) **Patent No.:** **US D454,706 S**
(45) **Date of Patent:** **** Mar. 26, 2002**

(54) **GARDENING STOOL**

(75) Inventors: **Cheryl Volkman**, Circle Pines; **Dianne Goodwin**, St. Paul; **Sherry Rovig**, Duluth, all of MN (US)

(73) Assignee: **White Pine Concepts LLC**, Circle Pines, MN (US)

(**) Term: **14 Years**

(21) Appl. No.: **29/141,794**

(22) Filed: **May 11, 2001**

(51) **LOC (7) Cl.** **06-01**

(52) **U.S. Cl.** **D6/349**

(58) **Field of Search** D6/349-353; 297/461, 297/462, 195.11, 423.1, 423.11, 423.39, 423.41, 423.42, 423.43, 423.16

(56) **References Cited**

U.S. PATENT DOCUMENTS

69,298 A	*	10/1867	Adams	297/195.11
773,086 A	*	10/1904	Minor	297/195.11
D86,133 S	*	2/1932	Kanter	D6/352
1,976,170 A		10/1934	Hoover et al.		
2,038,806 A		4/1936	Seller		
2,049,539 A		4/1936	Greenwood		
3,312,437 A		4/1967	Barth		
4,130,263 A		12/1978	Roericht		

4,218,093 A	8/1980	Gertz	
5,112,103 A	5/1992	Downer	
5,586,804 A	12/1996	Burroughs	
D381,821 S	*	8/1997	Miles D6/353
5,887,944 A	3/1999	Boost	
5,909,925 A	6/1999	Glockl	

FOREIGN PATENT DOCUMENTS

DE	3201-335	7/1983
GB	865245	4/1961
WO	WO 90/08490	8/1990

* cited by examiner

Primary Examiner—Janice E. Seeger

(74) *Attorney, Agent, or Firm*—Merchant & Gould P.C.

(57) **CLAIM**

The ornamental design for a gardening stool, as shown and described.

DESCRIPTION

FIG. 1 is a top front perspective view of a gardening stool showing our new design;

FIG. 2 is a front elevational view thereof;

FIG. 3 is a rear elevational view thereof;

FIG. 4 is a top plan view thereof;

FIG. 5 is a bottom plan view thereof;

FIG. 6 is a right side elevational view thereof; and,

FIG. 7 is a left side elevational end view thereof.

1 Claim, 4 Drawing Sheets

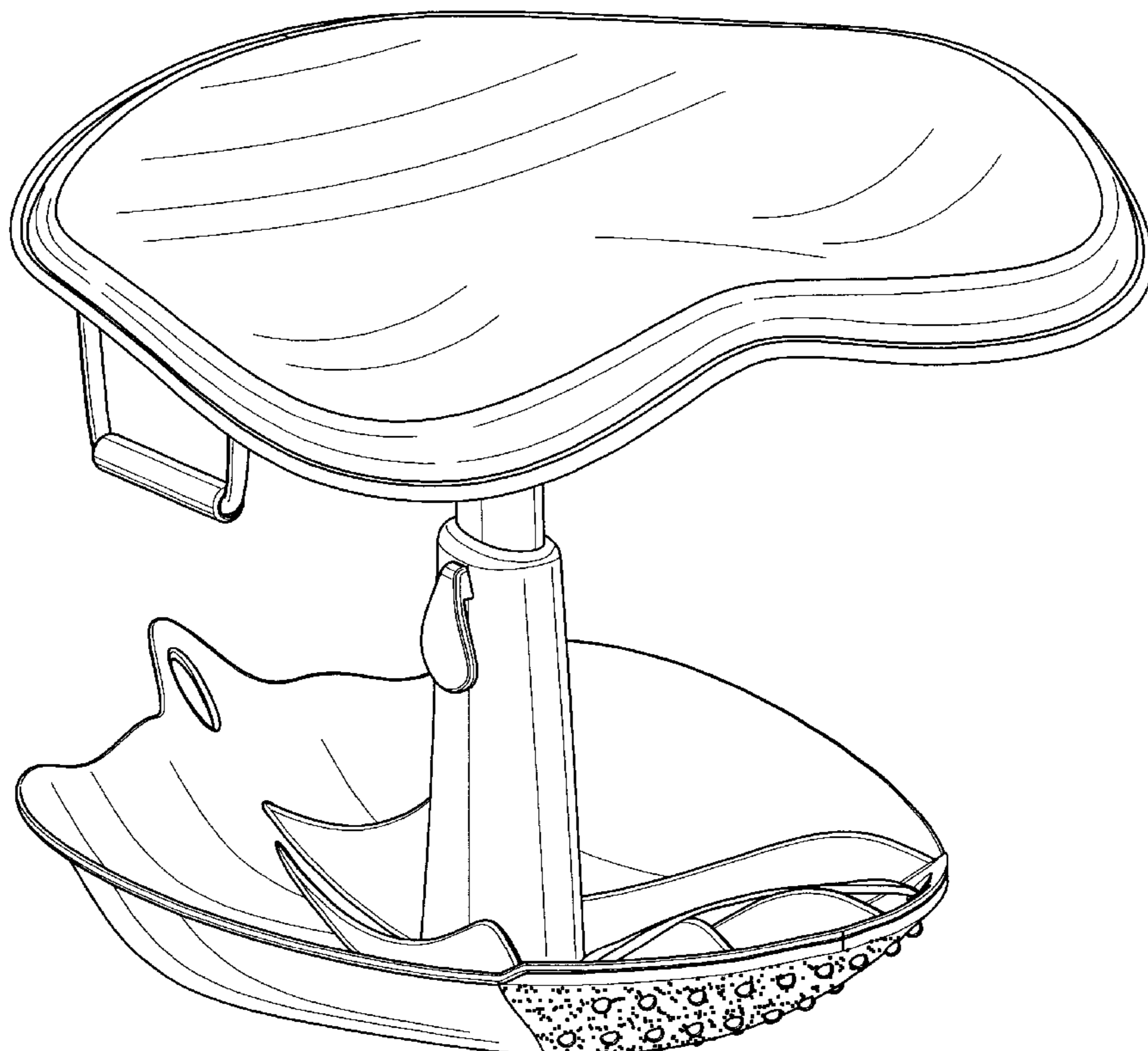


FIG. 1

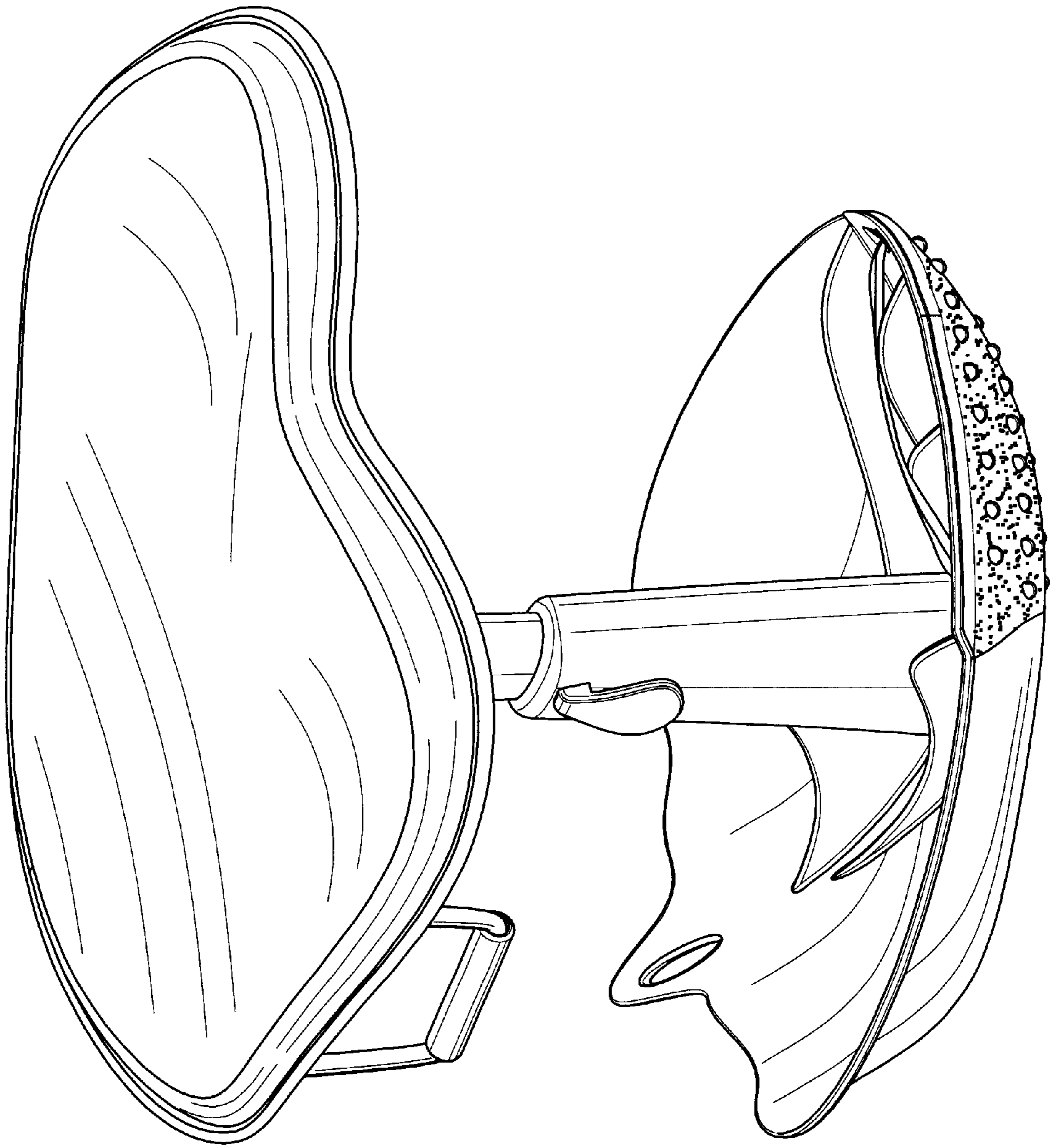


FIG.2

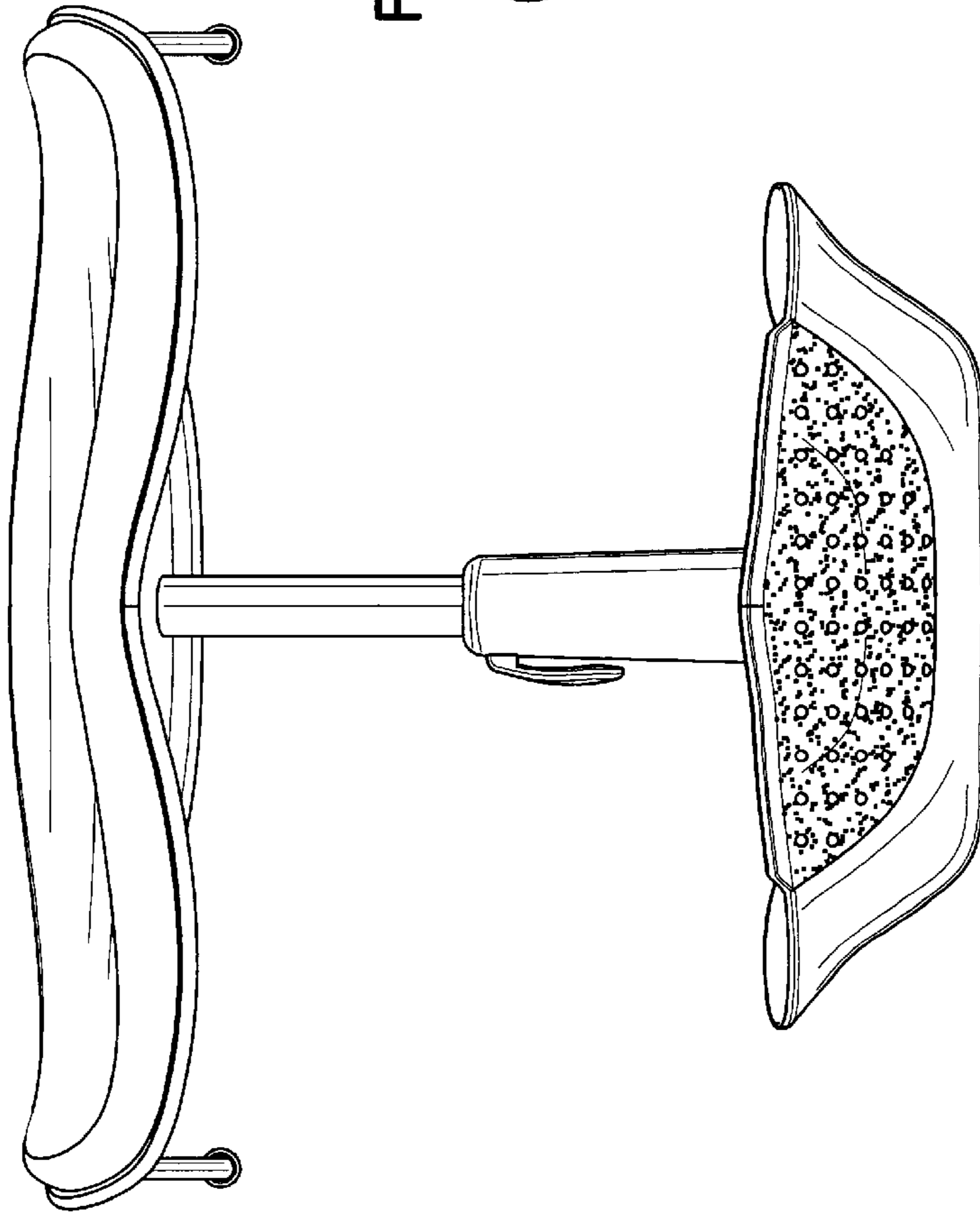
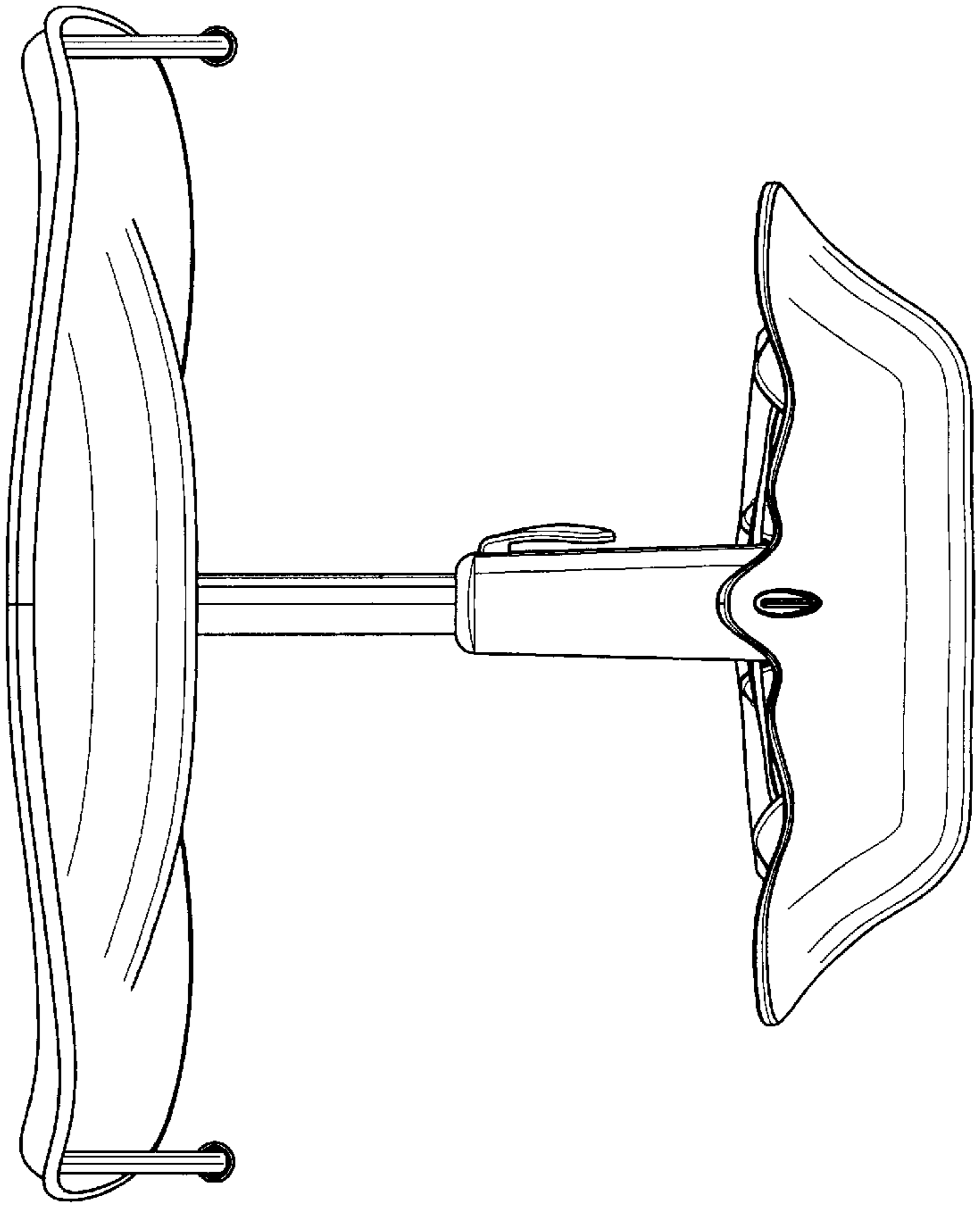


FIG.3



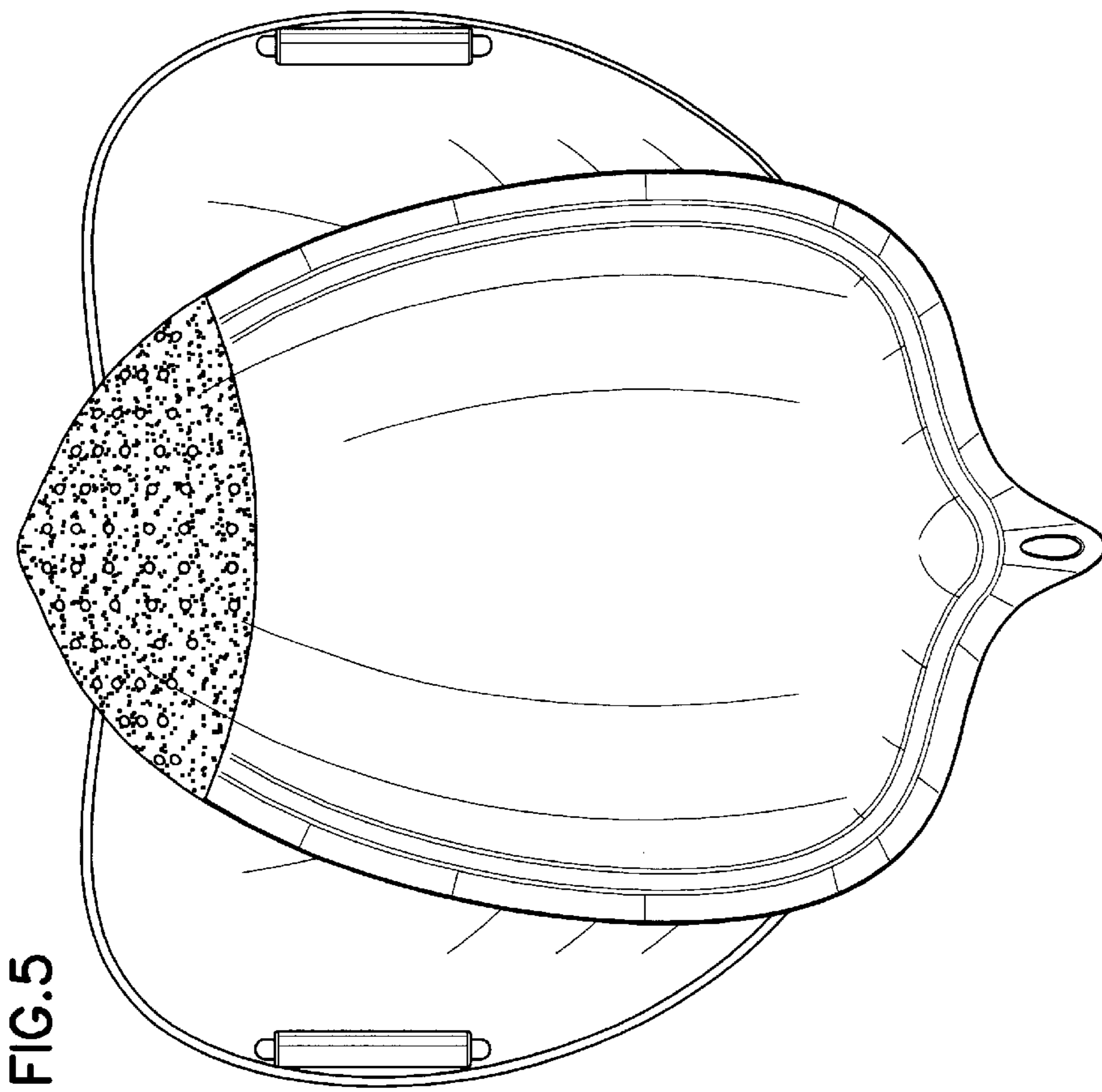


FIG. 5

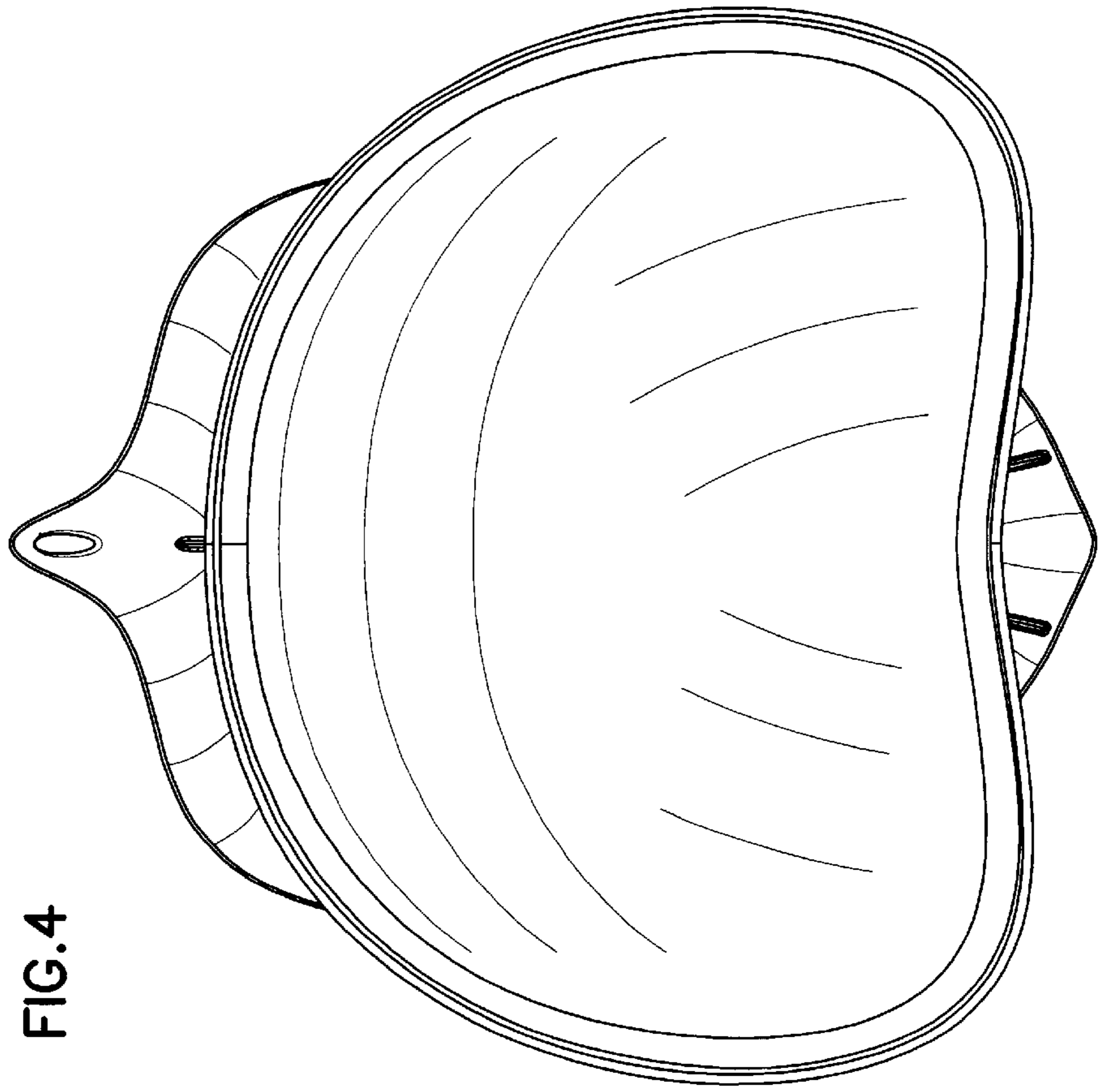


FIG. 4

FIG.6

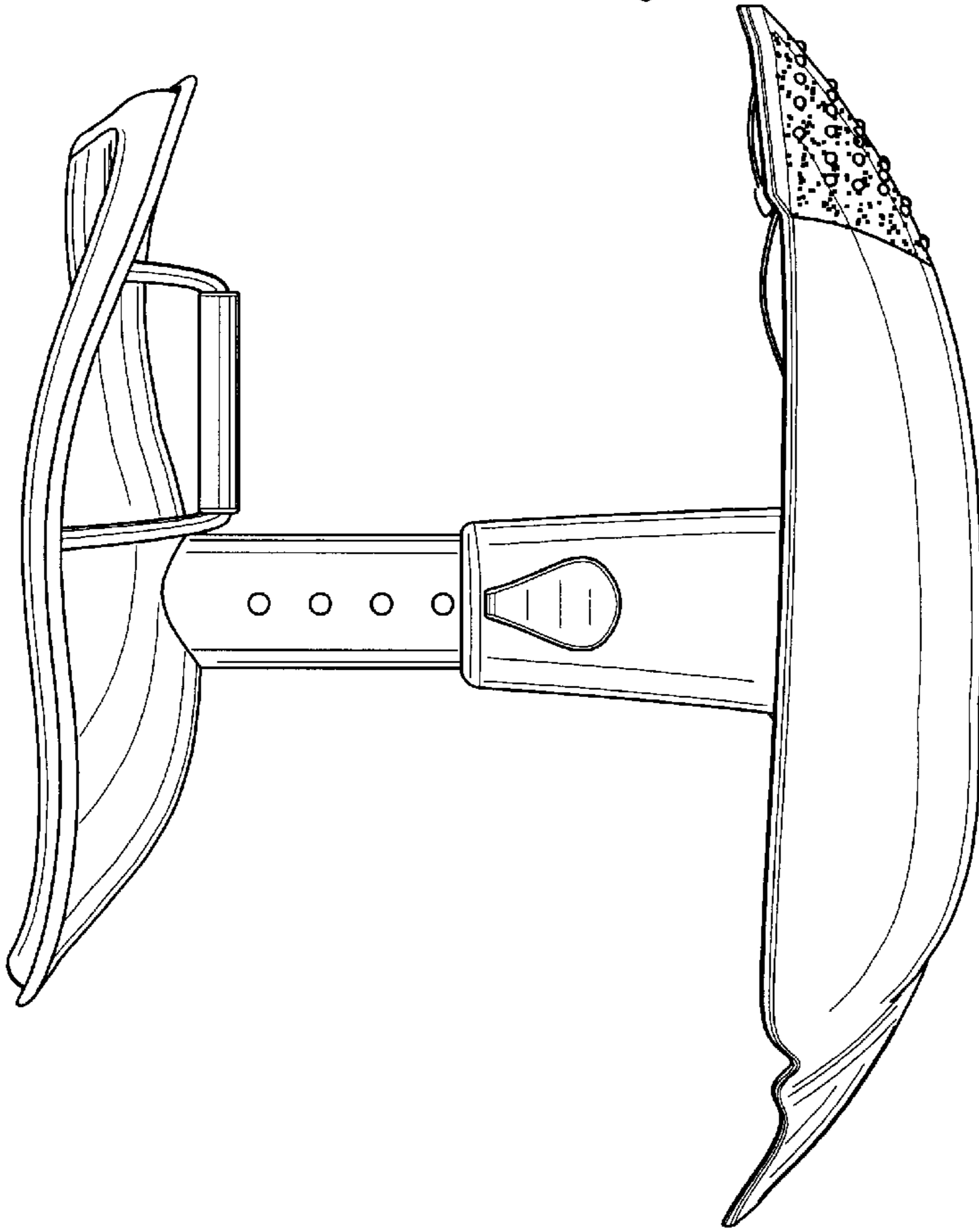


FIG.7

