



US00D454704S

(12) **United States Design Patent**
Lewis et al.

(10) **Patent No.:** **US D454,704 S**
(45) **Date of Patent:** **** Mar. 26, 2002**

(54) **CHAIR**

(75) Inventors: **Jack Lewis**, Grand Rapids, MI (US);
Ron Randen, Dayton, TN (US)

(73) Assignee: **La-Z-Boy Incorporated**, Monroe, MI (US)

(**) Term: **14 Years**

(21) Appl. No.: **29/140,475**

(22) Filed: **Apr. 17, 2001**

(51) **LOC (7) Cl.** **06-01**

(52) **U.S. Cl.** **D6/334; D6/335; D6/367**

(58) **Field of Search** **D6/334, 335, 360, D6/367, 371, 373, 500, 501, 502, 336; 297/445.1, DIG. 7**

(56) **References Cited**

U.S. PATENT DOCUMENTS

| | | | | | |
|------------|---|---------|----------------|-------|--------|
| D352,610 S | * | 11/1994 | Natuzzi et al. | | D6/334 |
| D420,820 S | * | 2/2000 | Lewis et al. | | D6/360 |
| D430,739 S | * | 9/2000 | Palumbo | | D6/334 |
| D436,746 S | * | 1/2001 | Lewis | | D6/334 |

OTHER PUBLICATIONS

Levitz, p. 3, Stratolounger "A" at bottom left.*

* cited by examiner

Primary Examiner—Gary D. Watson

(74) *Attorney, Agent, or Firm*—Harness, Dickey & Pierce, P.L.C.

(57) **CLAIM**

The ornamental design for a chair, as shown and described.

DESCRIPTION

FIG. 1 is a perspective view of a chair embodying our new design.

FIG. 2 is a front elevational view of the design.

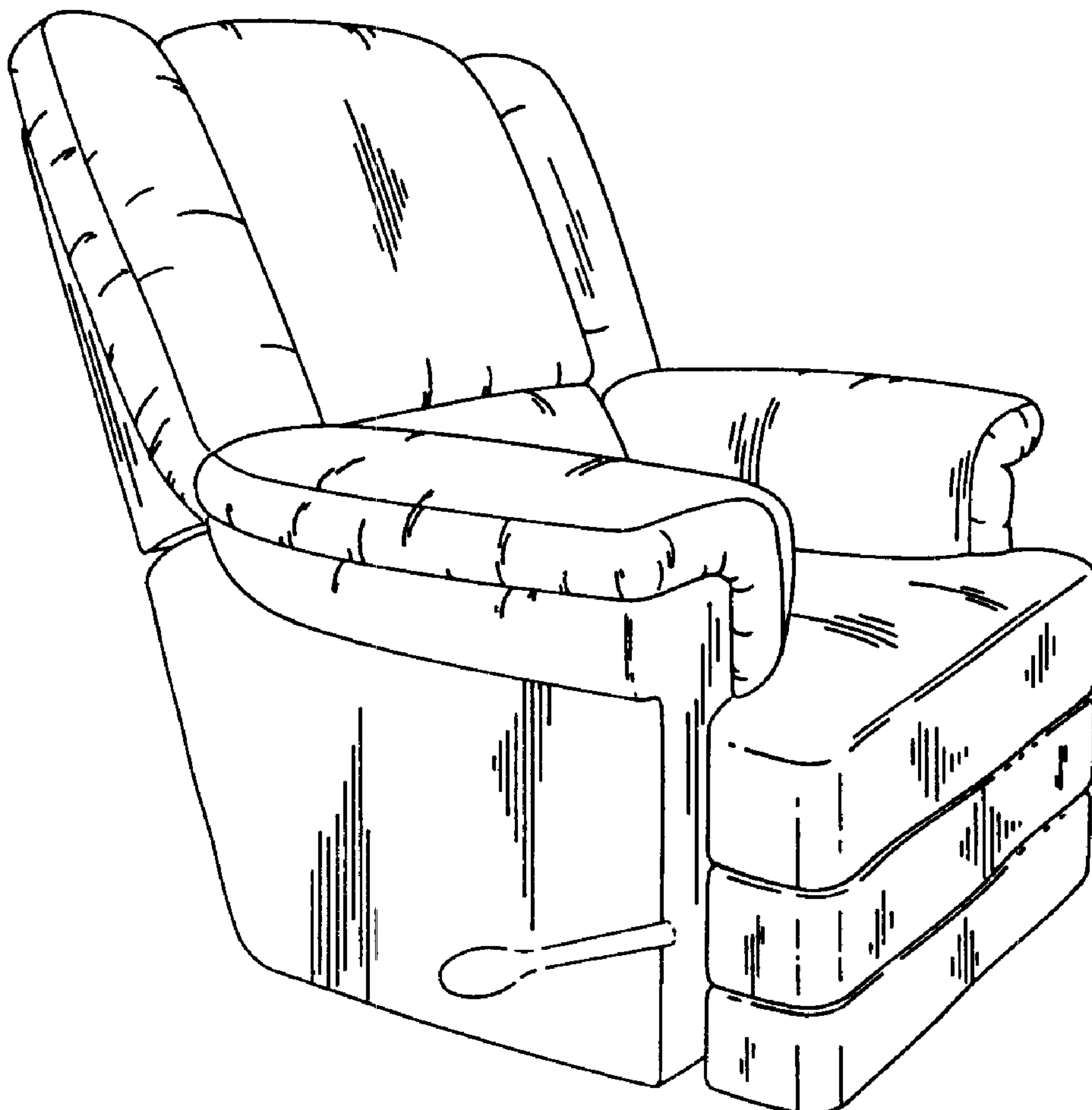
FIG. 3 is a side elevational view of the design, the opposite side being a mirror image thereof (with or without the handle shown in phantom in FIG. 1).

FIG. 4 is a rear elevational view of the design; and,

FIG. 5 is a top plan view of the design.

The broken line structure of the figures is for environmental purposes and forms no part of the claimed design.

1 Claim, 2 Drawing Sheets



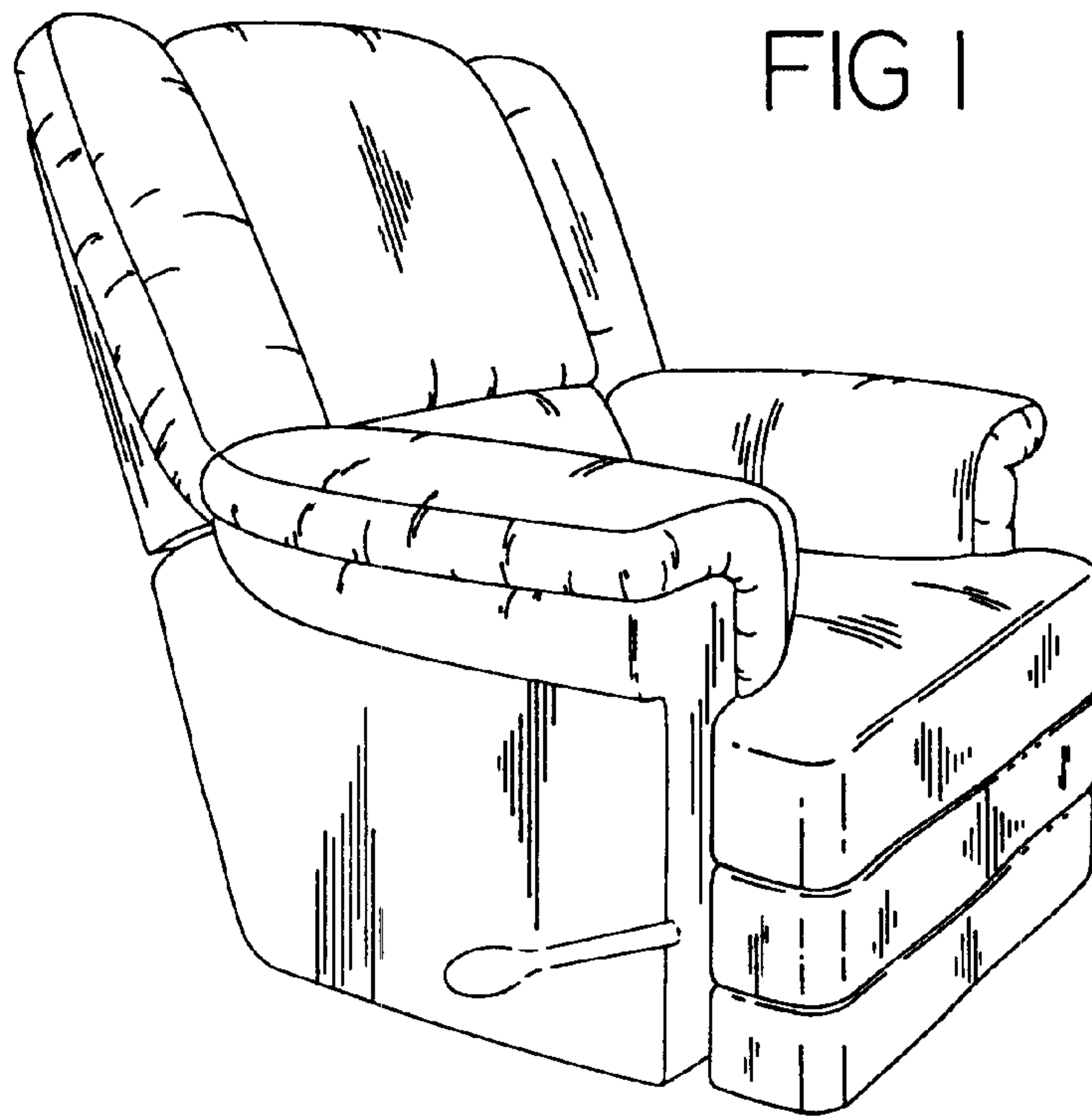


FIG 1

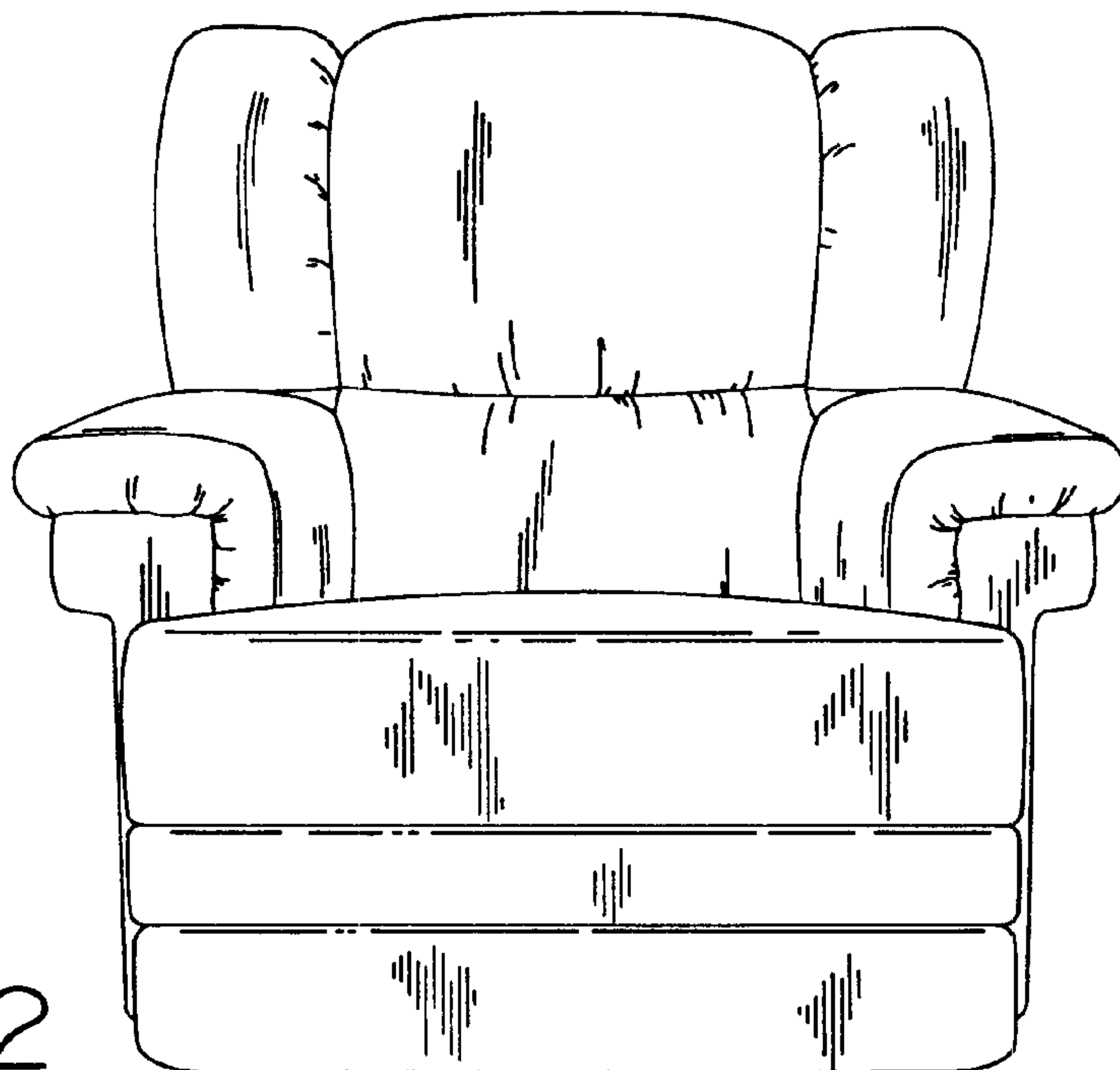


FIG 2

FIG 3

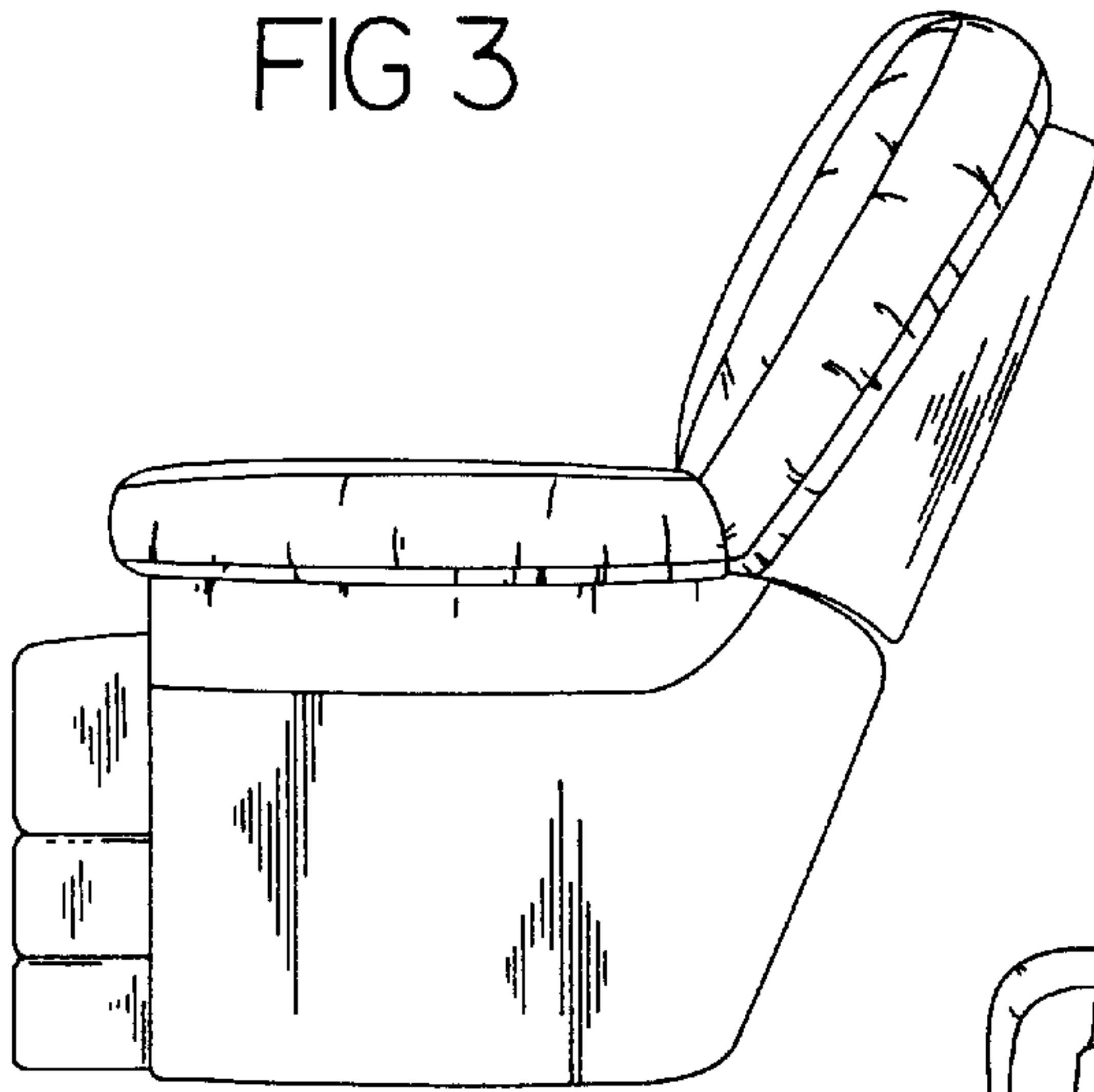


FIG 4

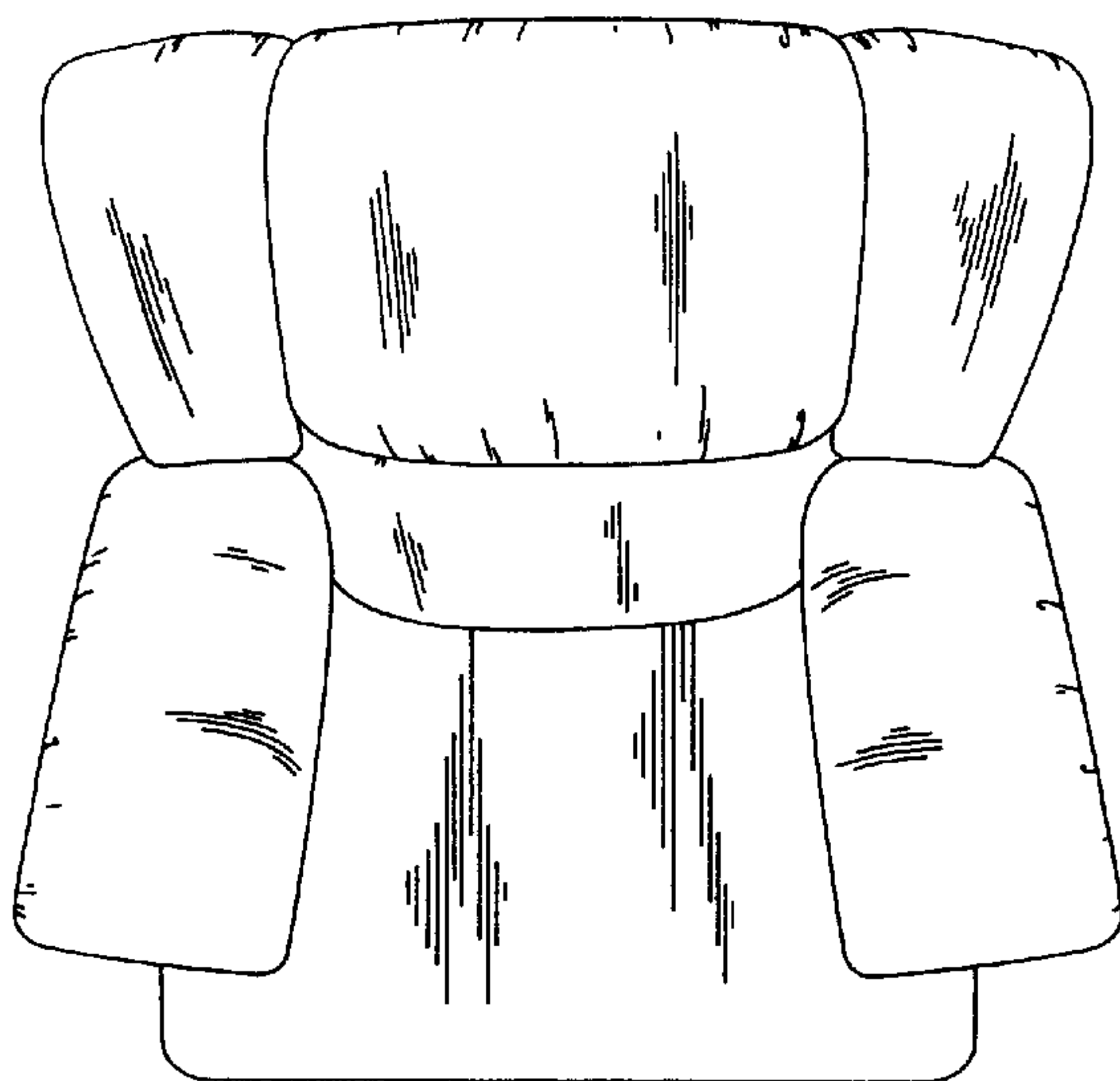
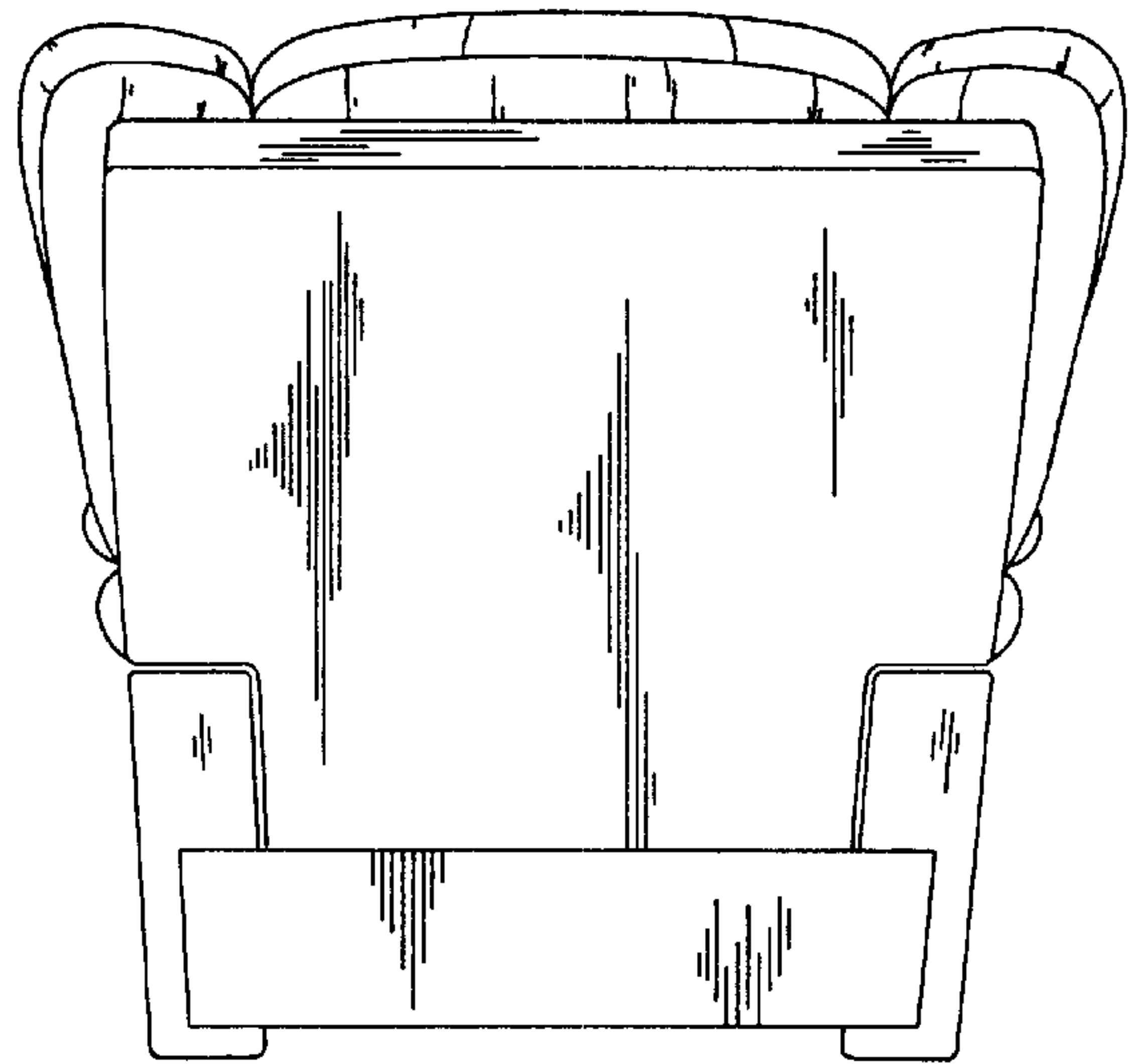


FIG 5