



US00D454703S

(12) **United States Design Patent**  
**Doeing**

(10) **Patent No.:** **US D454,703 S**

(45) **Date of Patent:** **\*\* Mar. 26, 2002**

(54) **FRAME STAND**

(76) Inventor: **James Doeing**, 1391 Independence Dr.,  
#855, Derby, NY (US) 14047

(\*\*) Term: **14 Years**

(21) Appl. No.: **29/141,197**

(22) Filed: **May 1, 2001**

(51) **LOC (7) Cl.** ..... **06-07**

(52) **U.S. Cl.** ..... **D6/310; D19/90**

(58) **Field of Search** ..... D6/300-314; 40/700,  
40/711, 714, 722, 745, 752, 780, 790, 798;  
D19/88, 90; D20/40; 248/450, 473; D21/710

(56) **References Cited**

**U.S. PATENT DOCUMENTS**

1,400,564	A	*	12/1921	Metager	.....	D6/308
D101,143	S	*	9/1936	Shank	.....	D6/308
4,125,243	A	*	11/1978	Liptak	.....	248/473
D418,166	S	*	12/1999	Dill	.....	D19/88

**OTHER PUBLICATIONS**

Exposures, Summer II 1991, p. 26, #B at top.\*

\* cited by examiner

*Primary Examiner*—Janice E. Seeger

(74) *Attorney, Agent, or Firm*—Hodgson Russ LLP

(57) **CLAIM**

The ornamental design for a frame stand, as shown and described.

**DESCRIPTION**

FIG. 1 is a perspective view of a frame stand, showing my new design; the broken lines are for environmental purposes only and form no part of the claimed design.

FIG. 2 is a front view of the frame stand of FIG. 1;

FIG. 3 is a side view of the frame stand of FIG. 1;

FIG. 4 is a top view of the frame stand of FIG. 1; and,

FIG. 5 is a bottom view of the frame stand of FIG. 1.

**1 Claim, 1 Drawing Sheet**

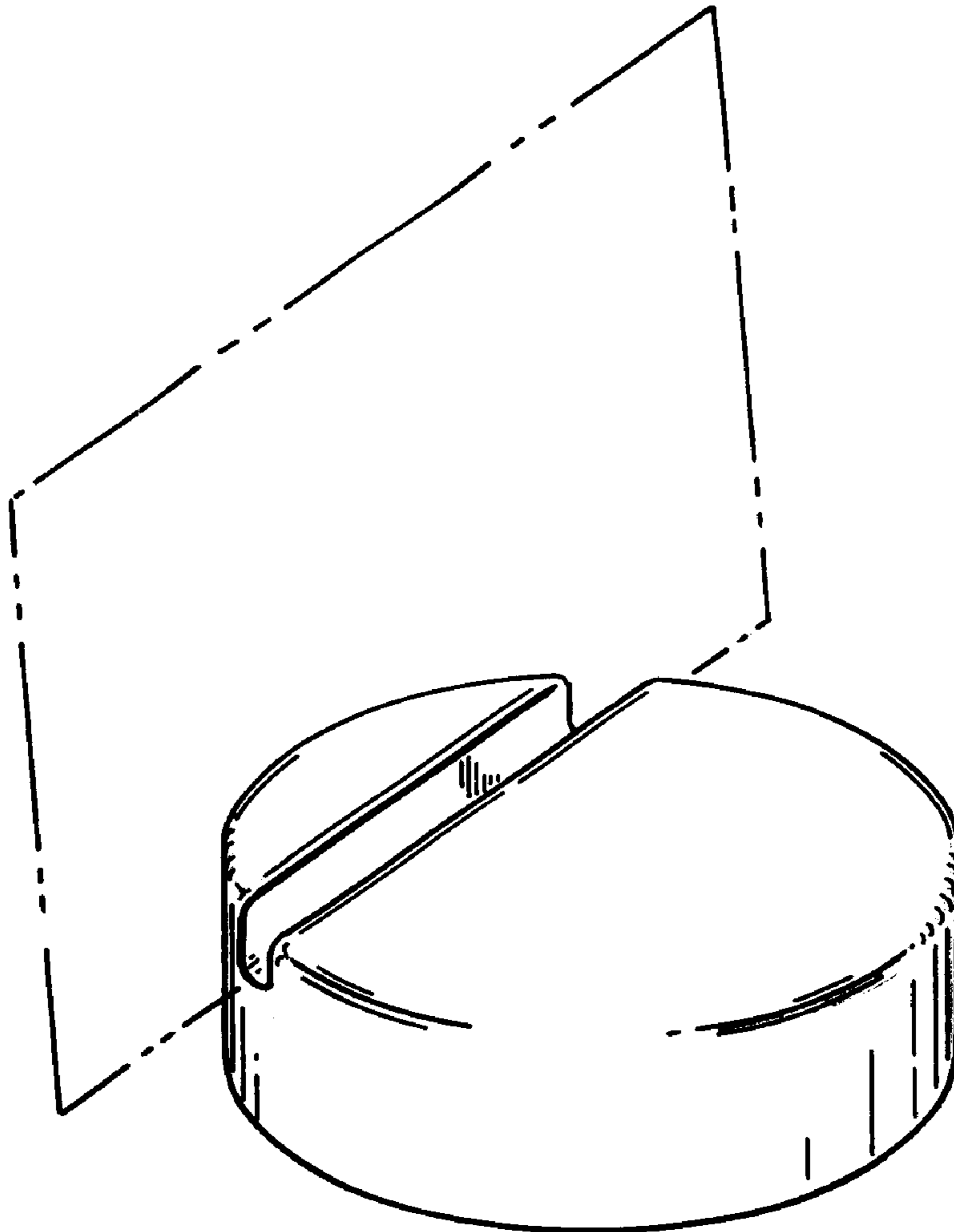


FIG. 1

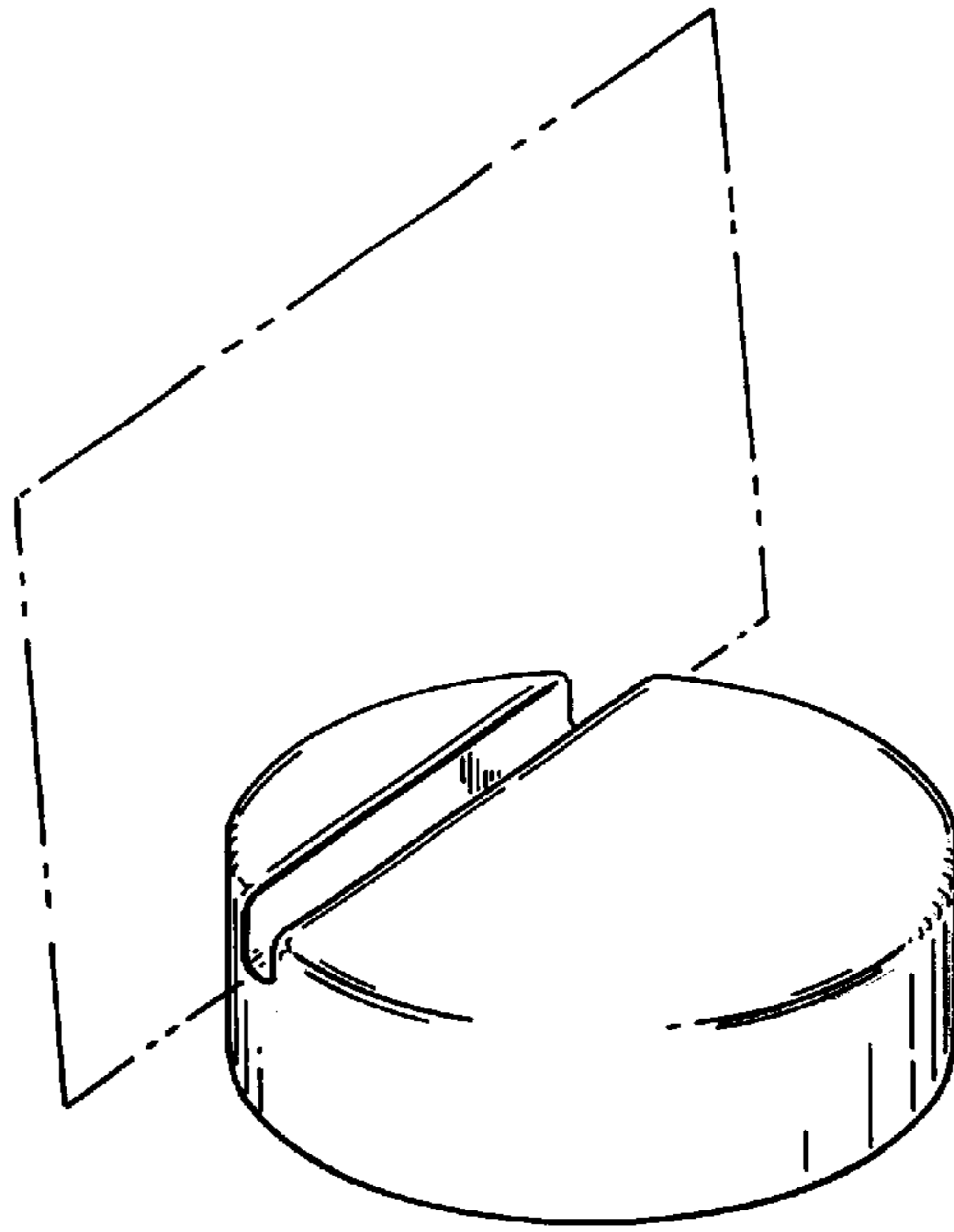


FIG. 2

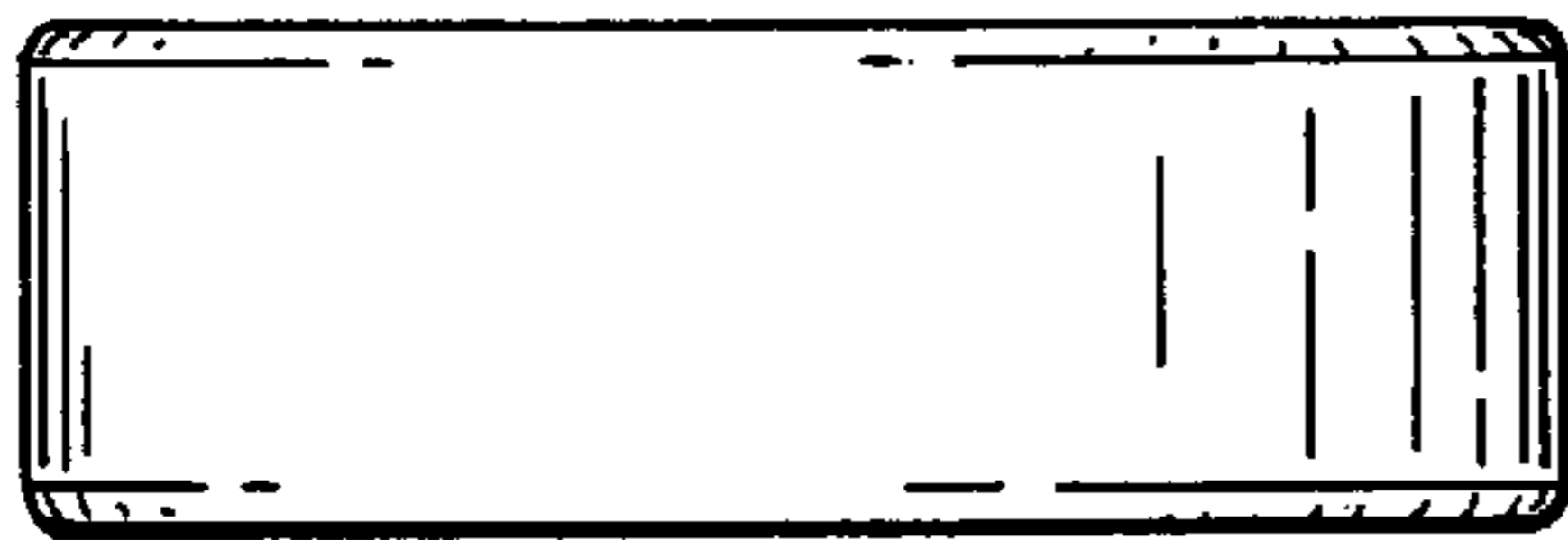


FIG. 3

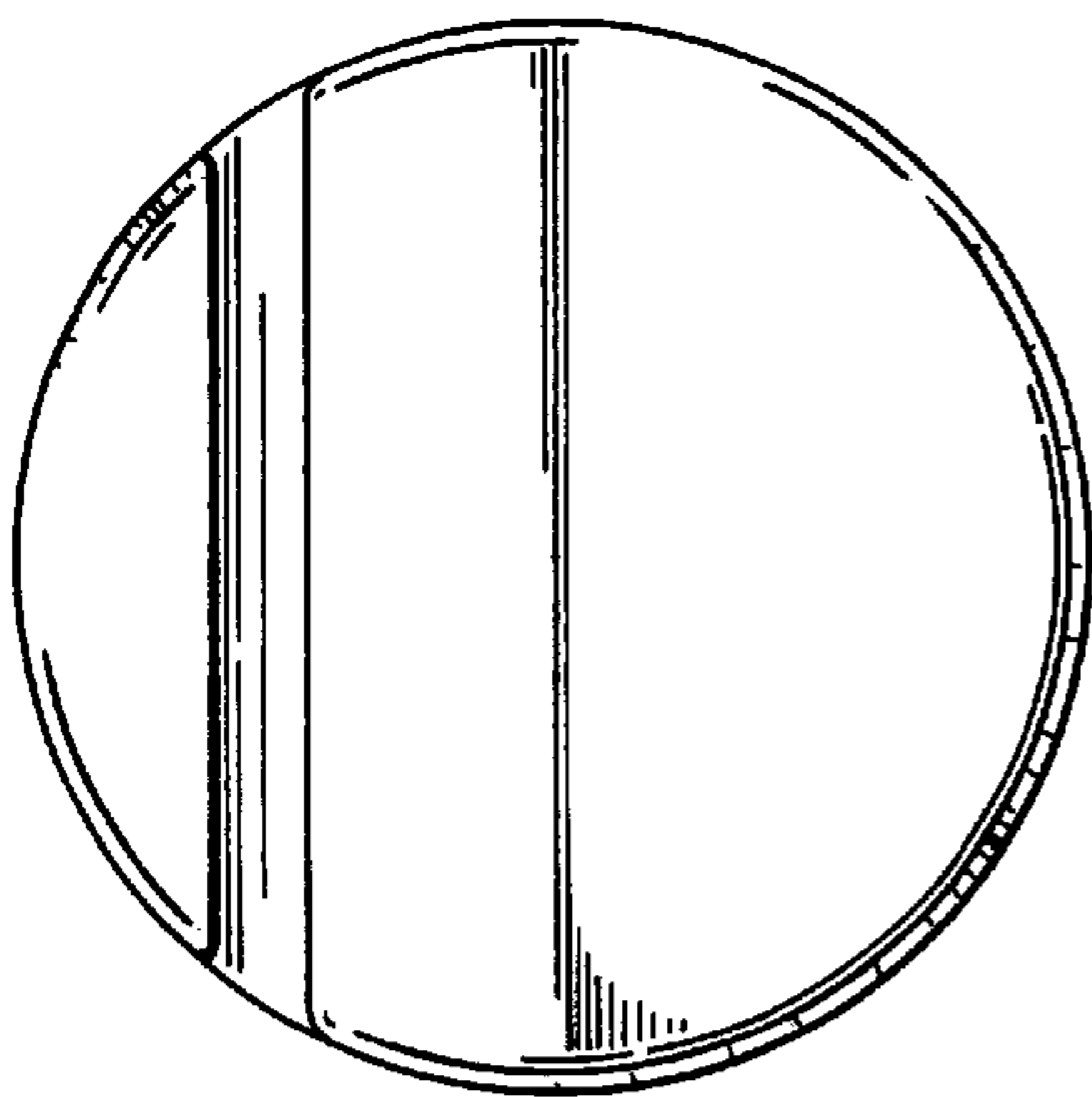
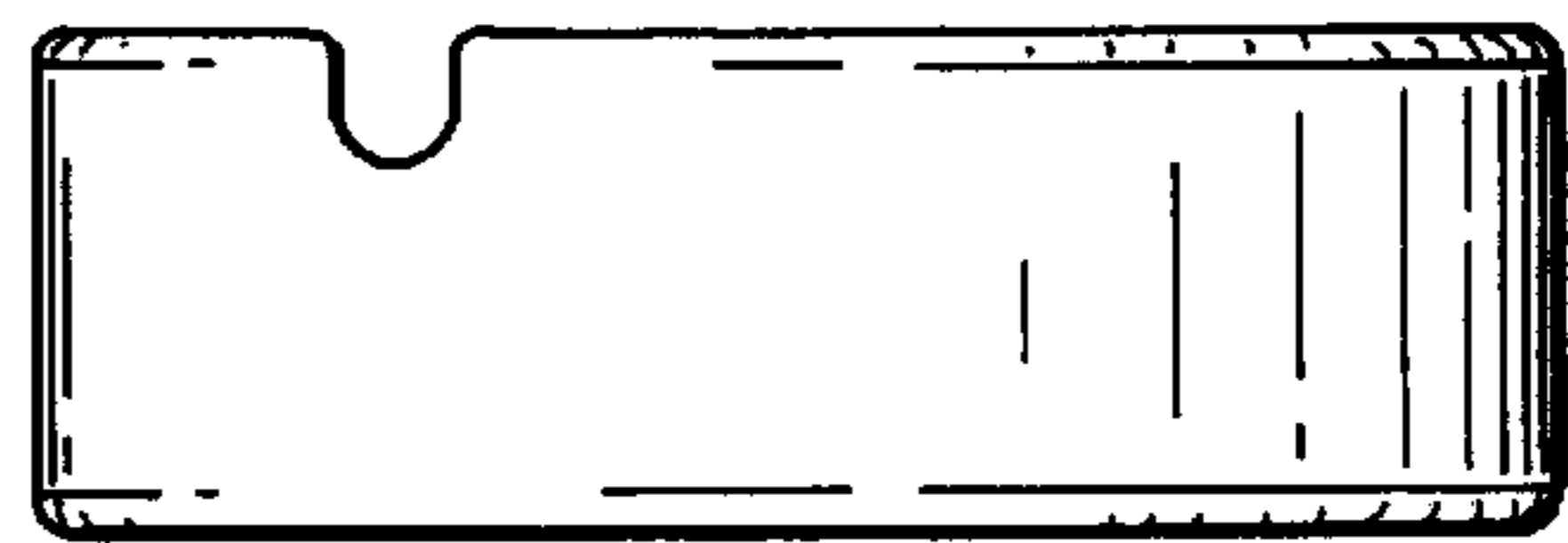


FIG. 4

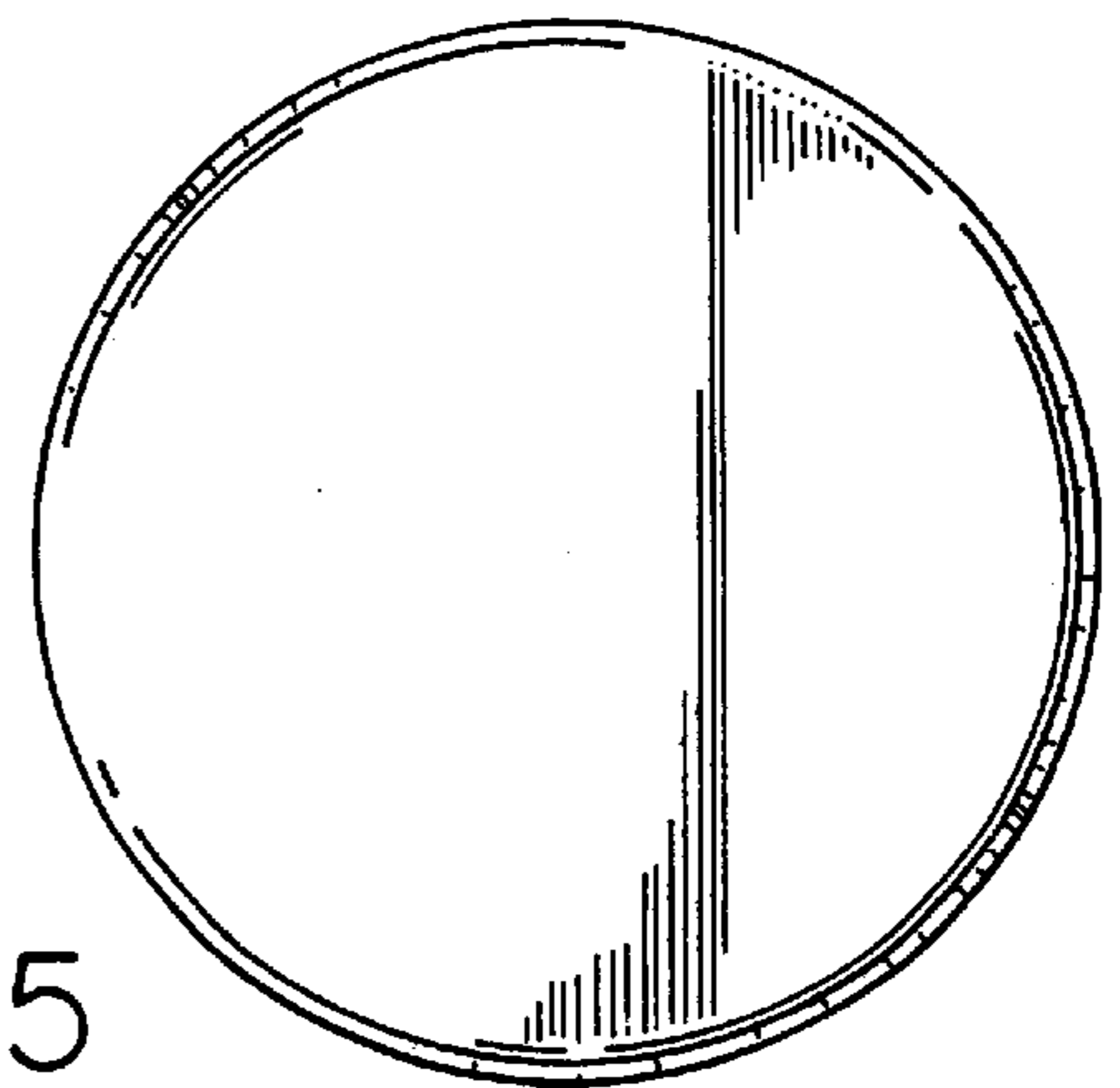


FIG. 5