



US00D454702S

(12) **United States Design Patent**
Doeing

(10) **Patent No.:** **US D454,702 S**

(45) **Date of Patent:** **** Mar. 26, 2002**

(54) **FRAME STAND**

(76) Inventor: **James Doeing**, 1391 Independence Dr.,
#855, Derby, NY (US) 14047

(**) Term: **14 Years**

(21) Appl. No.: **29/141,196**

(22) Filed: **May 1, 2001**

(51) **LOC (7) Cl.** **06-07**

(52) **U.S. Cl.** **D6/310; D19/90**

(58) **Field of Search** **D6/300-314; 40/700,**
40/711, 714, 722, 745, 752, 780, 790, 798;
D19/88, 90; D20/40; 248/450, 473; D21/710

(56) **References Cited**

U.S. PATENT DOCUMENTS

1,400,564	A	*	12/1921	Metager	D6/308
D101,143	S	*	9/1936	Shank	D6/308
4,125,243	A	*	11/1978	Liptak	248/473
D418,166	S	*	12/1999	Dill	D19/88

OTHER PUBLICATIONS

Exposures, Summer II 1991, p. 26, πB at top.*

* cited by examiner

Primary Examiner—Janice E. Seeger

(74) *Attorney, Agent, or Firm*—Hodgson Russ LLP

(57) **CLAIM**

The ornamental design for a frame stand, as shown and described.

DESCRIPTION

FIG. 1 is a perspective view of a frame stand showing my new design; the broken lines are for environmental purposes only and form no part of the claimed design.

FIG. 2 is a front view of the frame stand of FIG. 1;

FIG. 3 is a side view of the frame stand of FIG. 1;

FIG. 4 is a top view of the frame stand of FIG. 1; and,

FIG. 5 is a bottom view of the frame stand of FIG. 1.

1 Claim, 1 Drawing Sheet

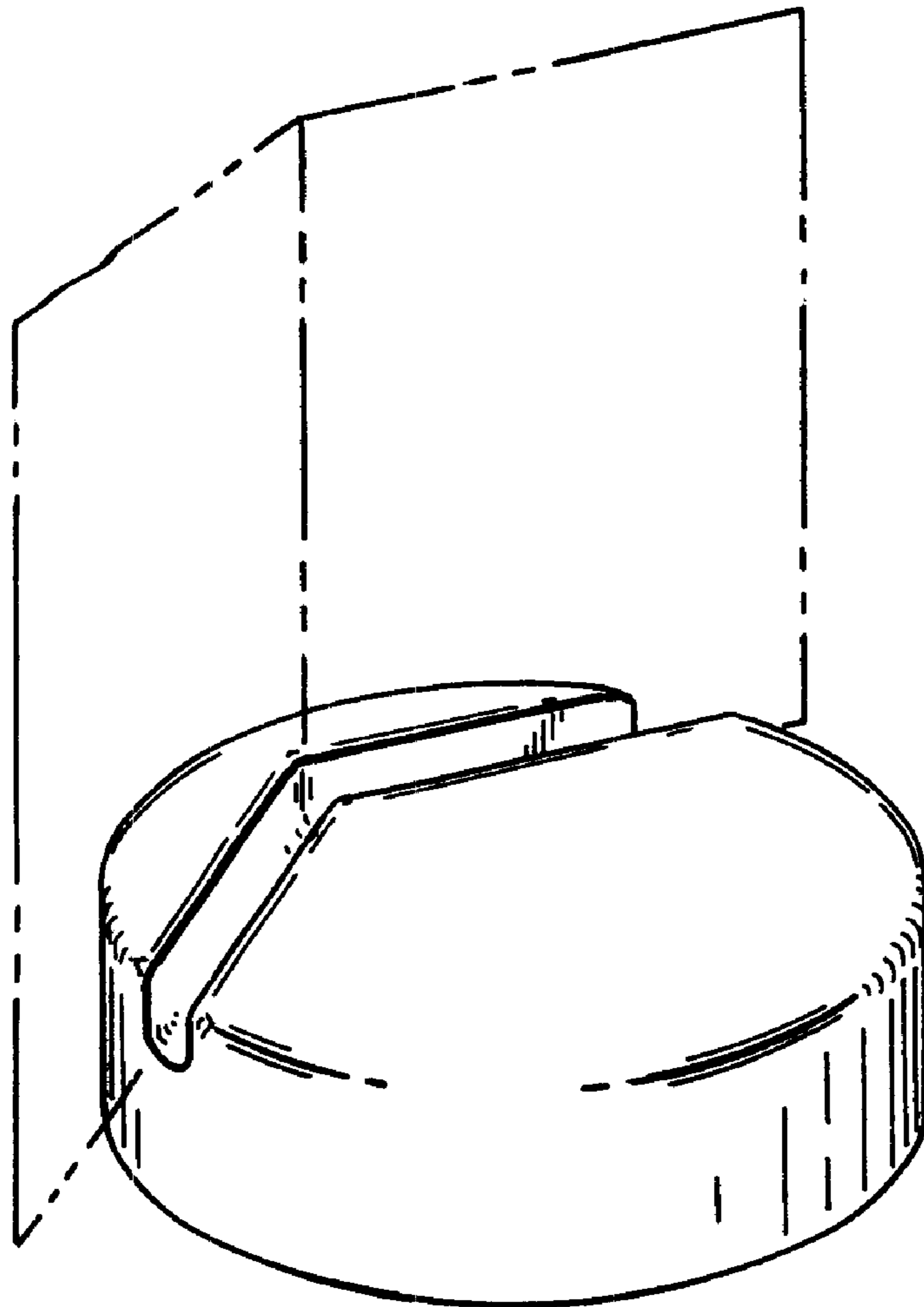


FIG. 1

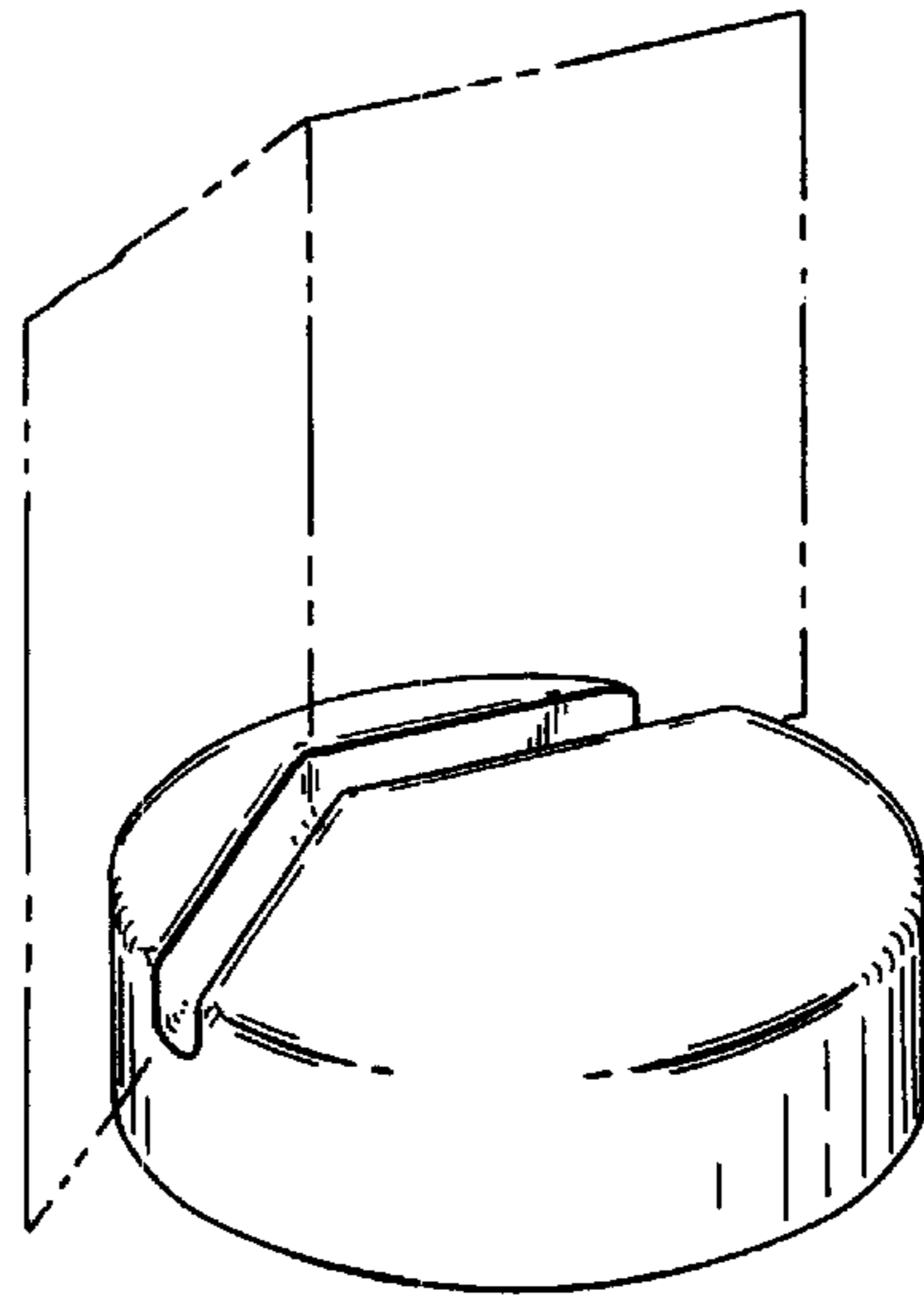


FIG. 2

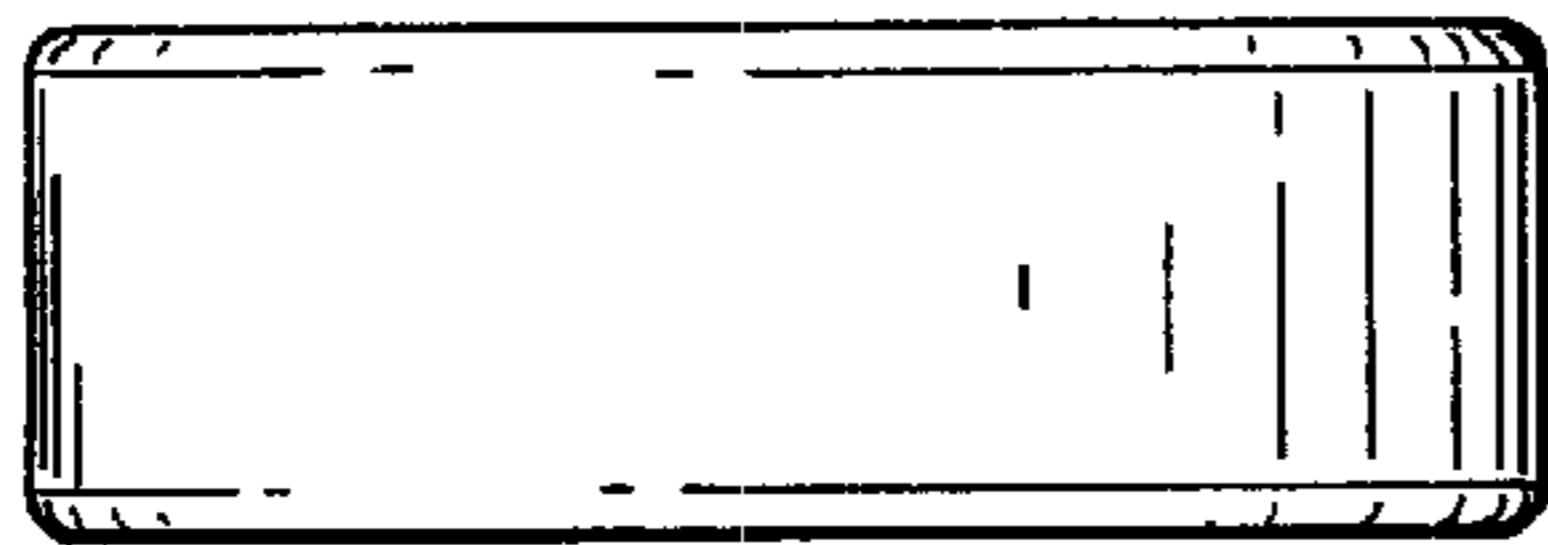


FIG. 3

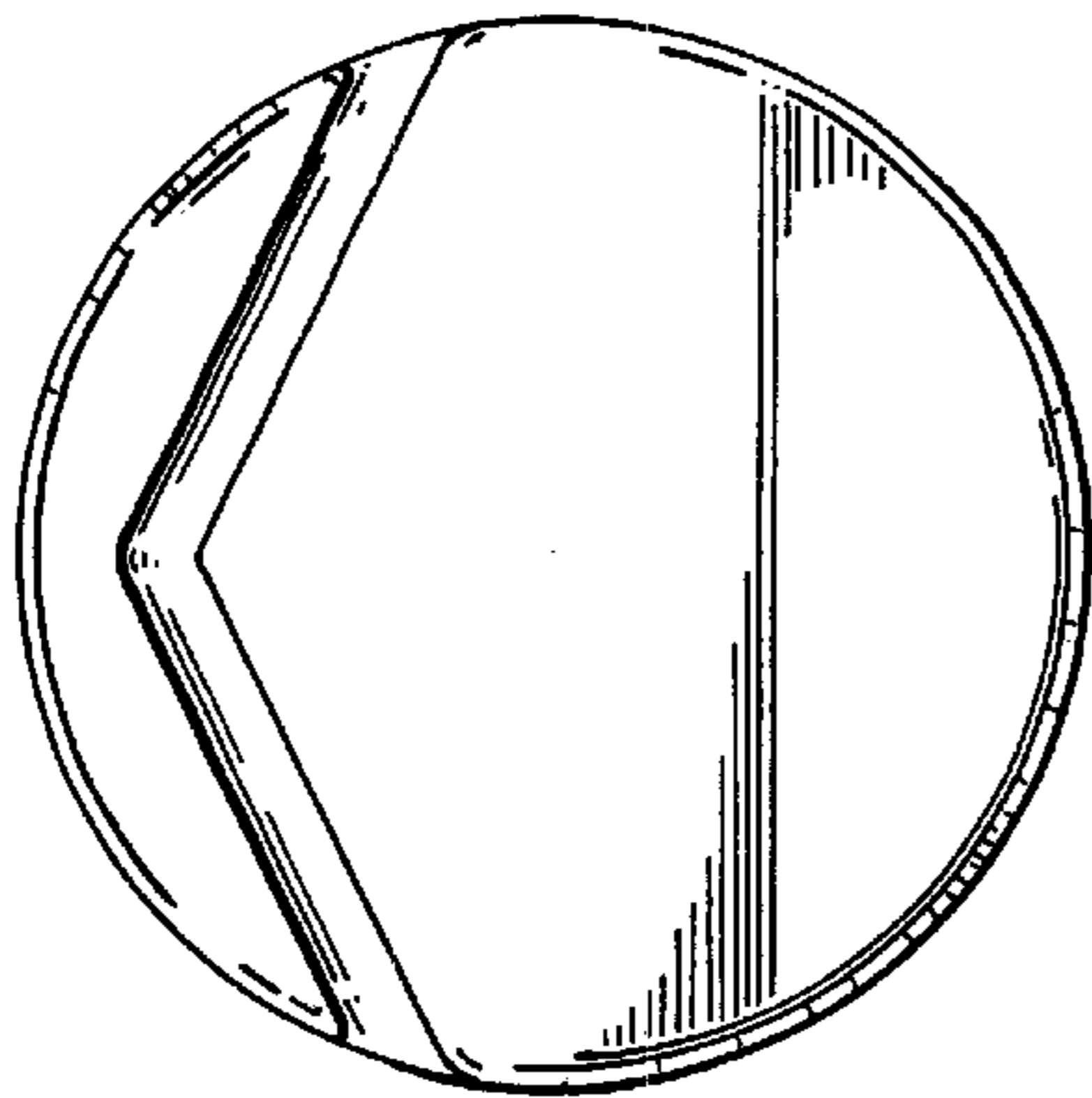
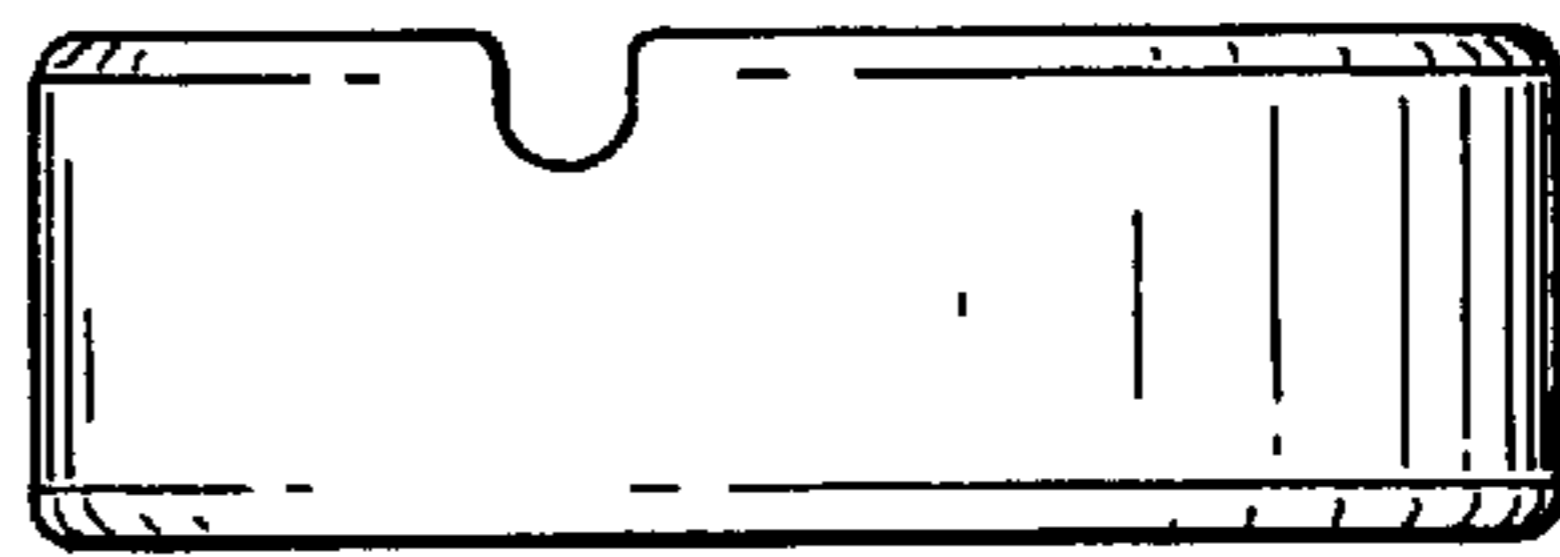


FIG. 4

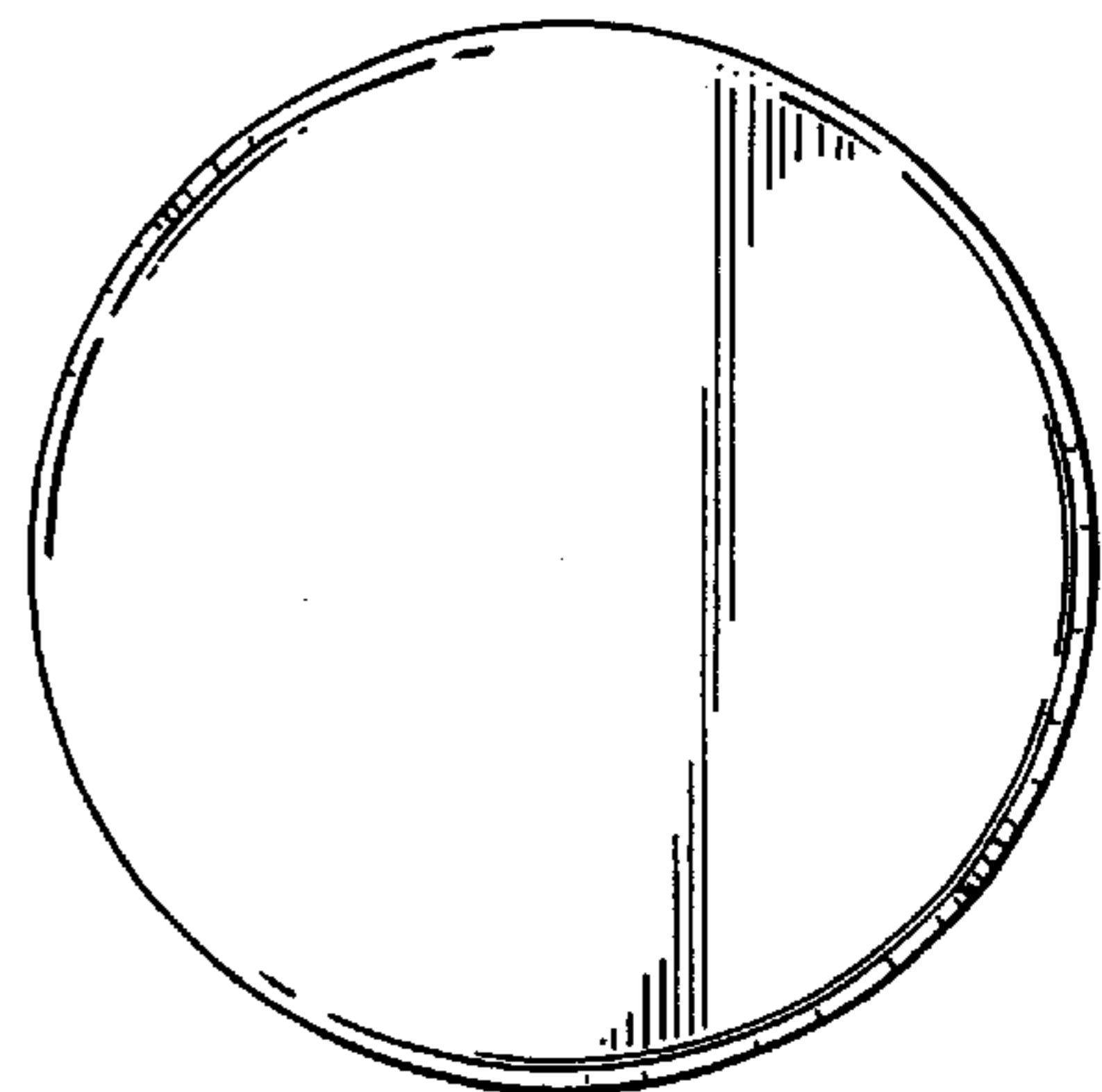


FIG. 5