



US00D454697S

(12) **United States Design Patent**
Ping

(10) **Patent No.:** **US D454,697 S**

(45) **Date of Patent:** **** Mar. 26, 2002**

(54) **TOOTHBRUSH**

(75) **Inventor:** **Han Guo Ping**, Hangji (CN)

(73) **Assignee:** **Colgate-Palmolive Company**, New York, NY (US)

(**) **Term:** **14 Years**

(21) **Appl. No.:** **29/135,405**

(22) **Filed:** **Jan. 12, 2001**

(51) **LOC (7) Cl.** **04-02**

(52) **U.S. Cl.** **D4/104**

(58) **Field of Search** D4/104-112, 132, D4/134, 138; 15/143.1, 159.1, 167.1, 167.2, 186, 187; 132/308; 601/139, 141

(56) **References Cited**

U.S. PATENT DOCUMENTS

D240,981	S	*	8/1976	Hill et al.	D4/104
D372,127	S	*	7/1996	Huang	D4/104
D375,205	S	*	11/1996	Lewkowicz	D4/104
D381,808	S	*	8/1997	Hoshizaki	D4/104
6,065,176	A	*	5/2000	Watanabe et al.	15/167.1
6,185,779	B1	*	2/2001	Krämer	15/167.1

* cited by examiner

Primary Examiner—Alan P. Douglas

Assistant Examiner—Lavone Tabor

(74) *Attorney, Agent, or Firm*—Henry S. Goldfine

(57) **CLAIM**

The ornamental design for a toothbrush, as shown and described.

DESCRIPTION

FIG. 1 is a front elevation view of a toothbrush of my new design;

FIG. 2 is a left side elevation view thereof, the right side elevation being a mirror image of the left side elevation as shown herein in FIG. 2;

FIG. 3 is a back elevation view thereof;

FIG. 4 is a top view thereof;

FIG. 5 is a bottom view thereof;

FIG. 6 is a top perspective view thereof;

FIG. 7 is a bottom perspective view thereof;

FIG. 8 is a front elevation view of an alternative design;

FIG. 9 is a left side elevation view of the alternative design, the right side elevation being a mirror image of the left side elevation as shown herein in FIG. 9;

FIG. 10 ; is a back elevation view of the alternative design;

FIG. 11 is a top view of the alternative design;

FIG. 12 is a bottom view of the alternative design;

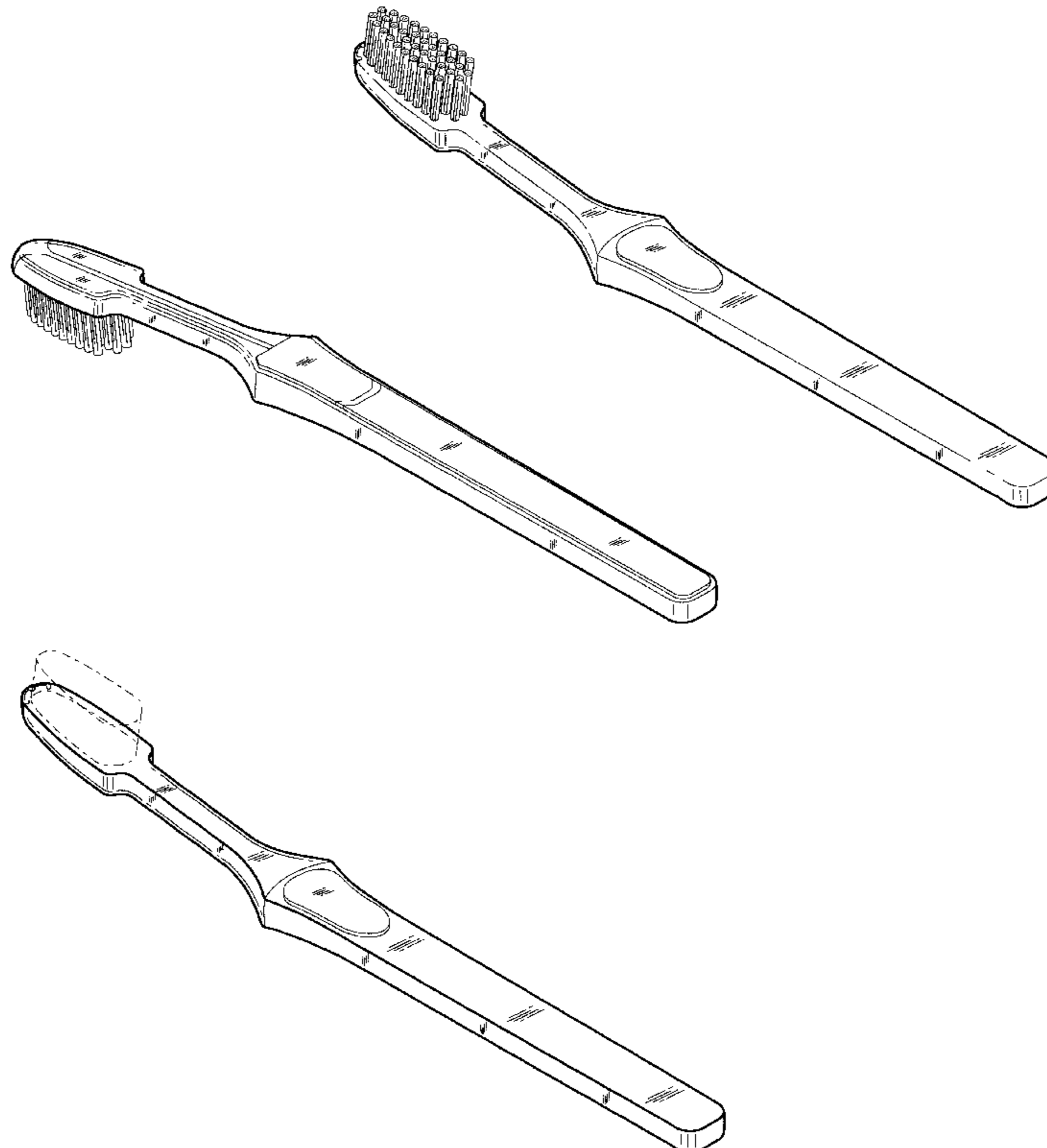
FIG. 13 is a top perspective view of the alternative design;

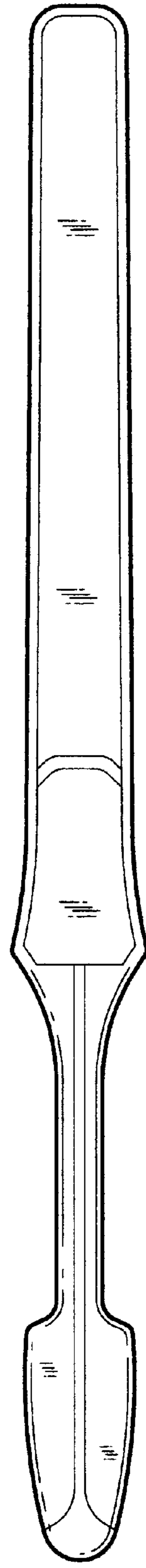
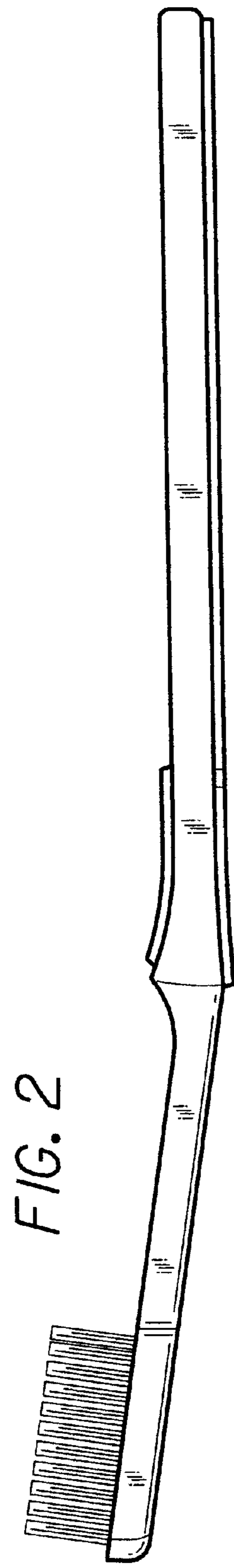
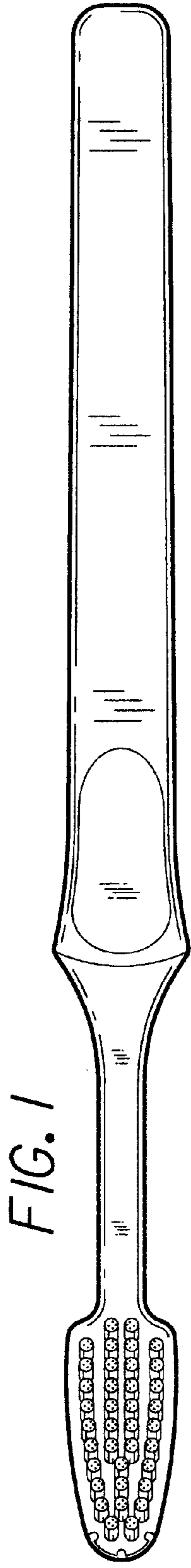
and,

FIG. 14 is a bottom perspective view of the alternative design.

In FIGS. 8 through 14, inclusive, the toothbrush bristles are shown in broken lines for illustrative purposes only and form no part of the second embodiment.

1 Claim, 6 Drawing Sheets





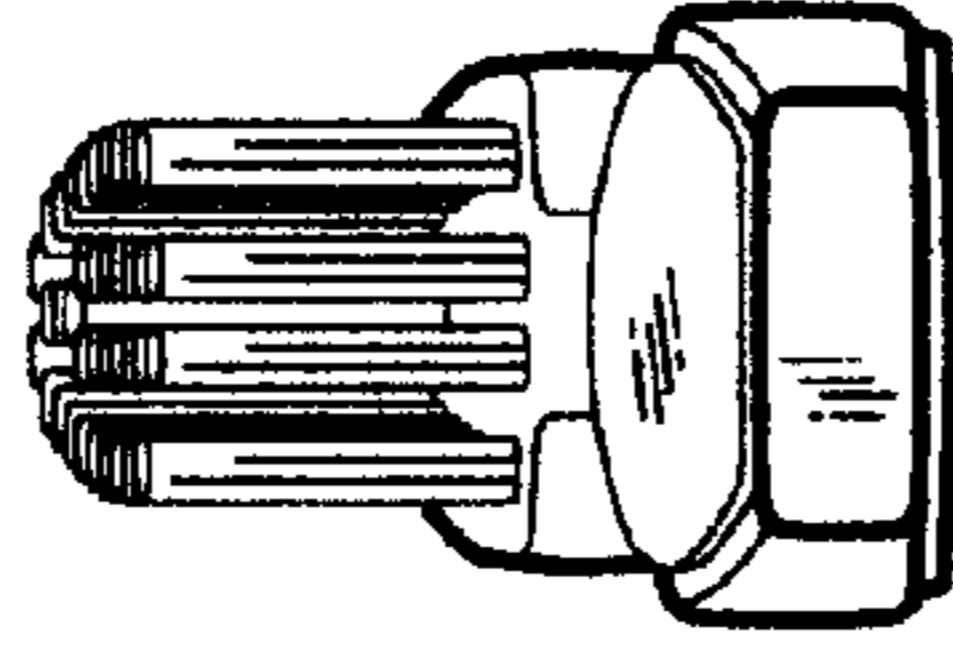


FIG. 5

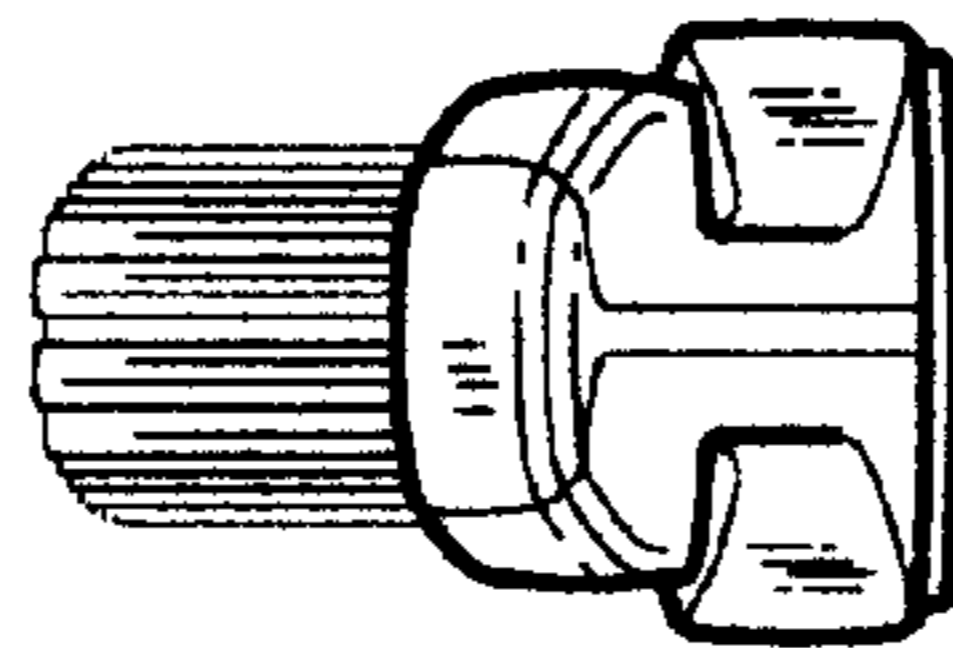


FIG. 4

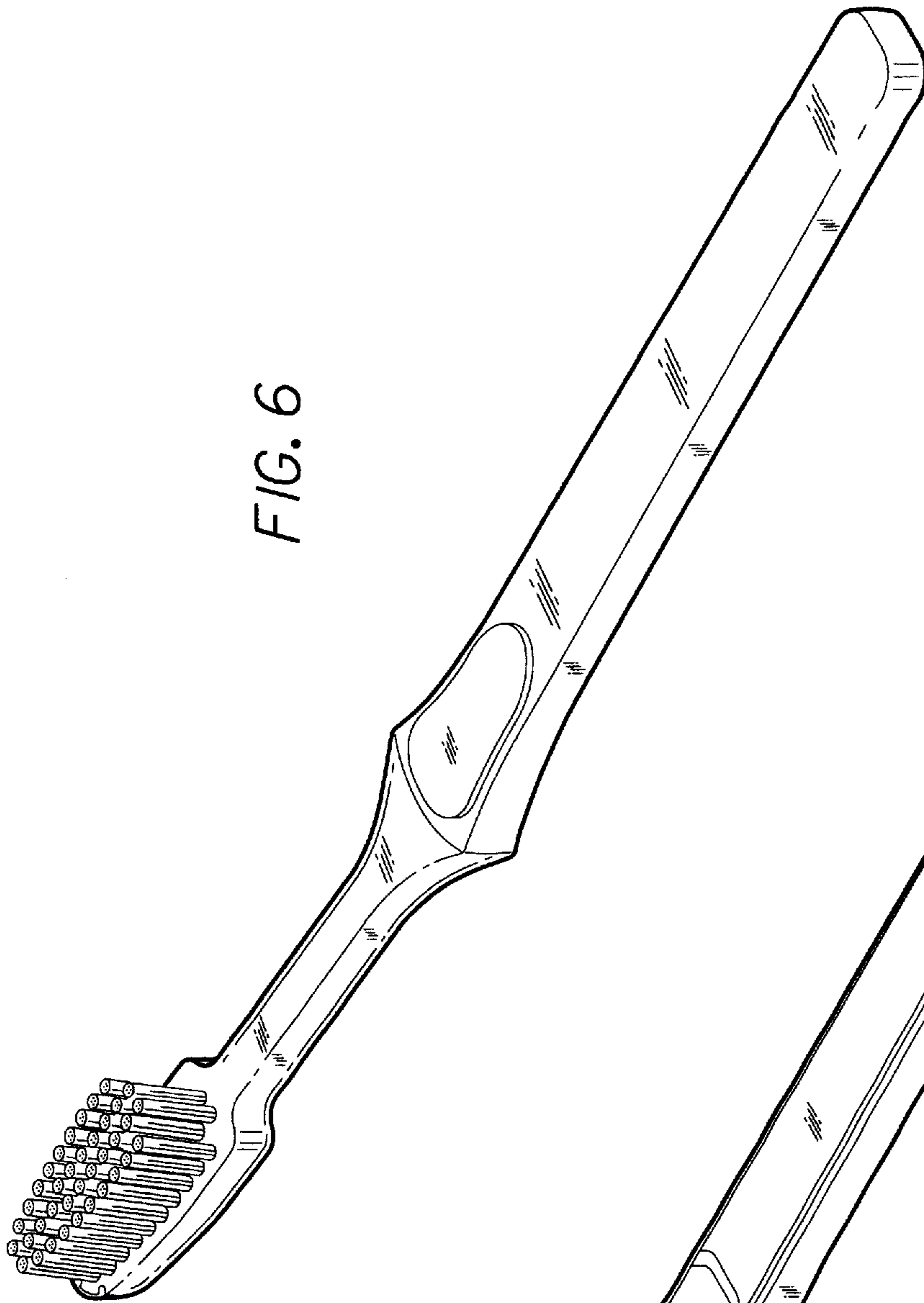


FIG. 6

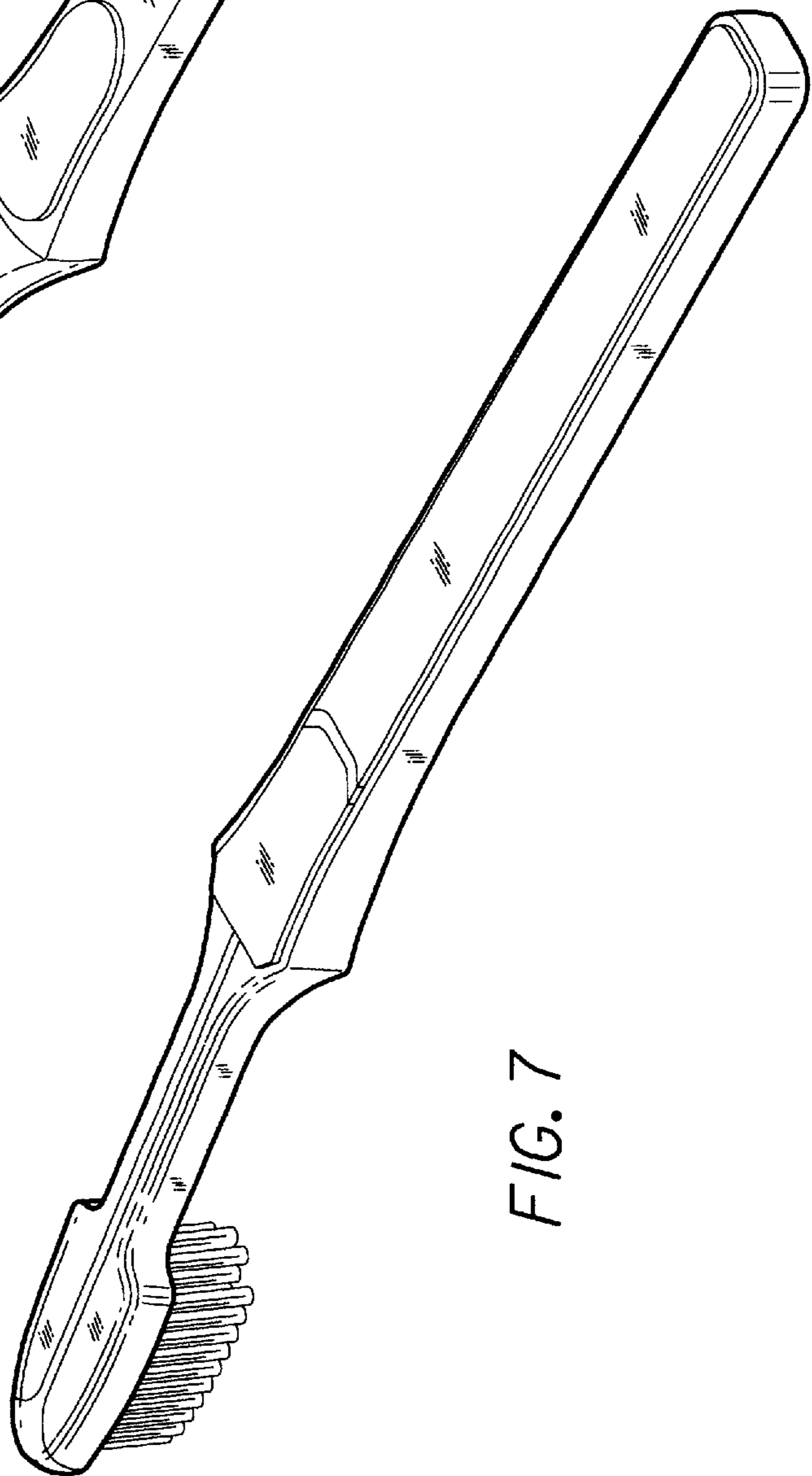
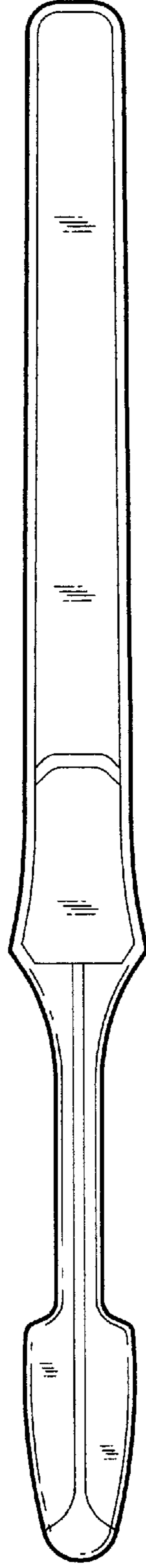
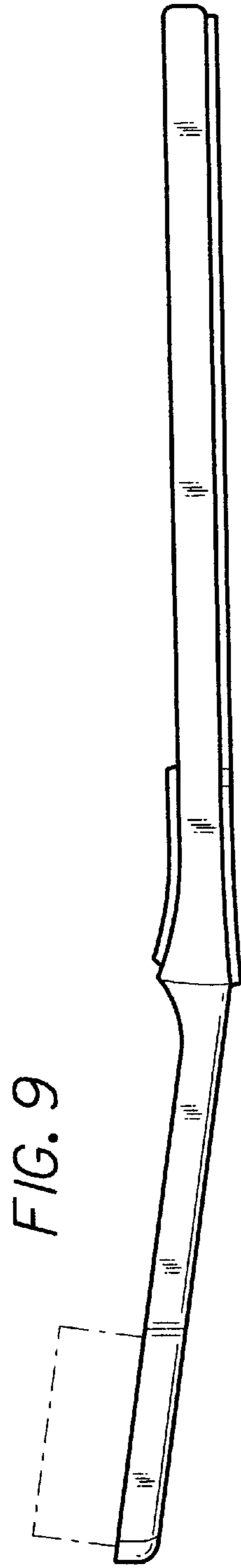
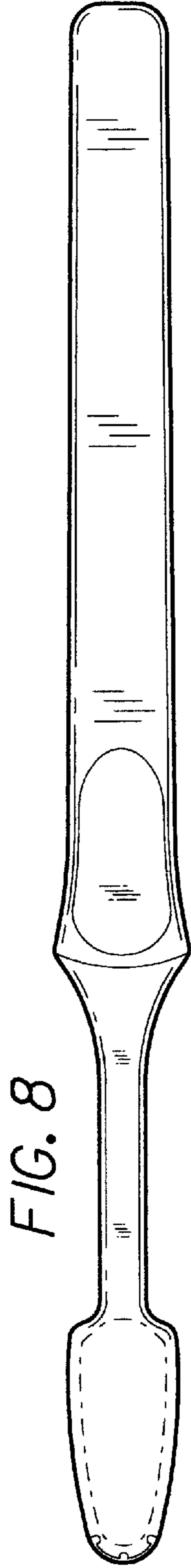


FIG. 7



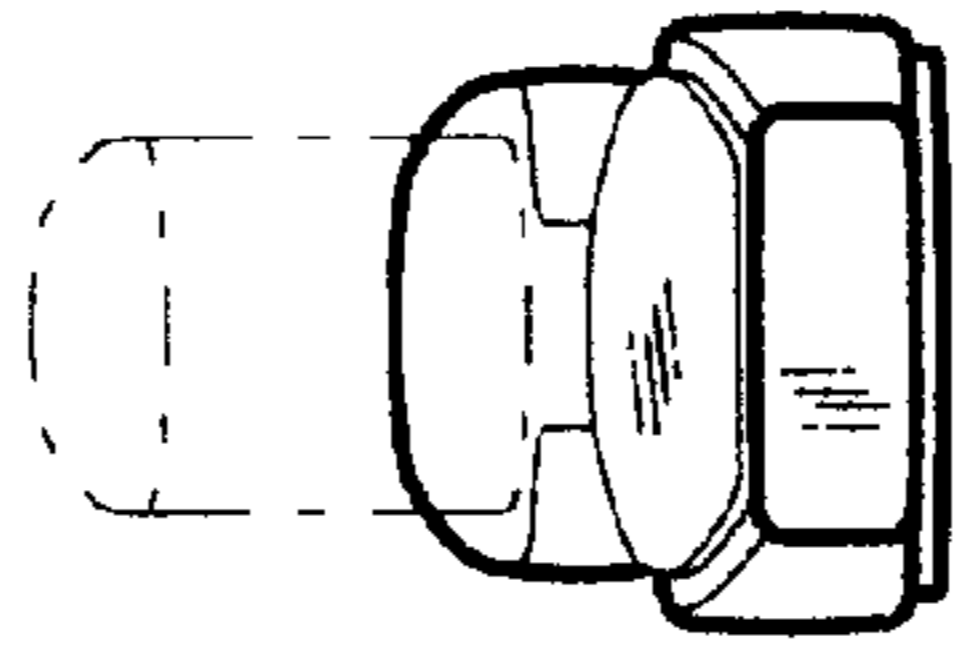


FIG. 12

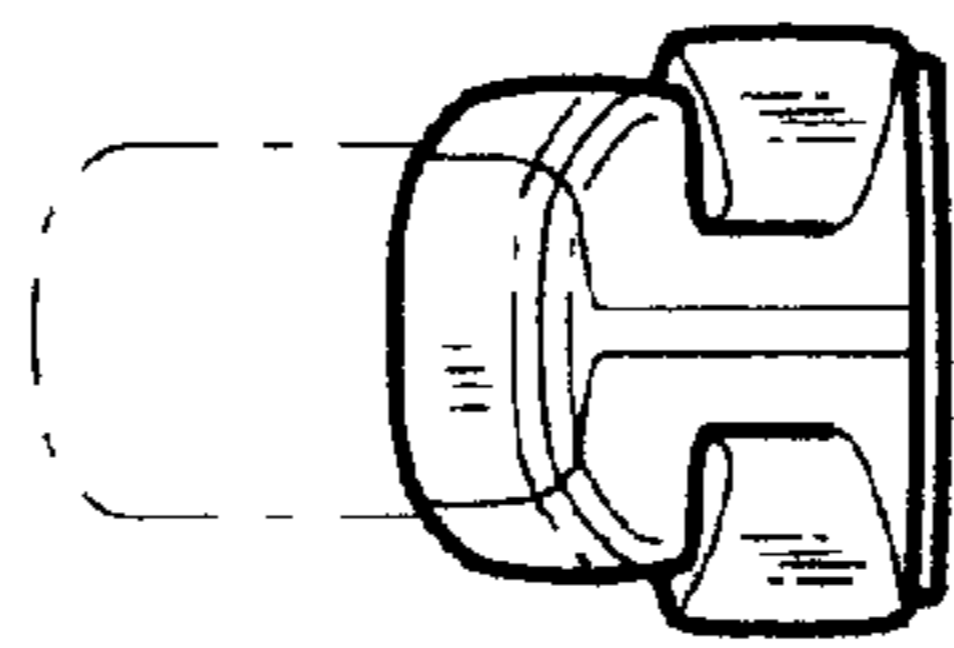


FIG. 11

