



US00D454696S

(12) **United States Design Patent**
Simionato et al.

(10) **Patent No.:** **US D454,696 S**

(45) **Date of Patent:** **** *Mar. 26, 2002**

(54) **TOOTHBRUSH BODY**

(75) Inventors: **Luiz Bellino Simionato**, Sao Jose dos Campos; **Fabio Eduardo Franca Rangel**; **Orlando Marson Neto**, both of Jacarei, all of (BR)

(73) Assignee: **Johnson & Johnson Industria E Comercio LTDA**, Sao Jose dos Campos (BR)

(*) Notice: This patent is subject to a terminal disclaimer.

(**) Term: **14 Years**

(21) Appl. No.: **29/118,571**

(22) Filed: **Feb. 9, 2000**

(30) **Foreign Application Priority Data**

Aug. 27, 1999 (BR) DI5902402

(51) **LOC (7) Cl.** **04-02**

(52) **U.S. Cl.** **D4/104**

(58) **Field of Search** D4/104-112, 132, D4/134, 138; 15/143.1, 159.1, 160, 167.1, 167.2; 132/308; 601/139, 141; 16/110.1, 430

(56) **References Cited**

U.S. PATENT DOCUMENTS

D241,891 S * 10/1976 Cannon et al. D4/104
D329,642 S * 9/1992 Booth et al. D4/104
D335,578 S * 5/1993 Fuchs et al. D4/104
D401,069 S * 11/1998 Lamond et al. D4/104
D414,939 S * 10/1999 Pedro, Jr. et al. D4/104

* cited by examiner

Primary Examiner—Alan P. Douglas

Assistant Examiner—Lavone Tabor

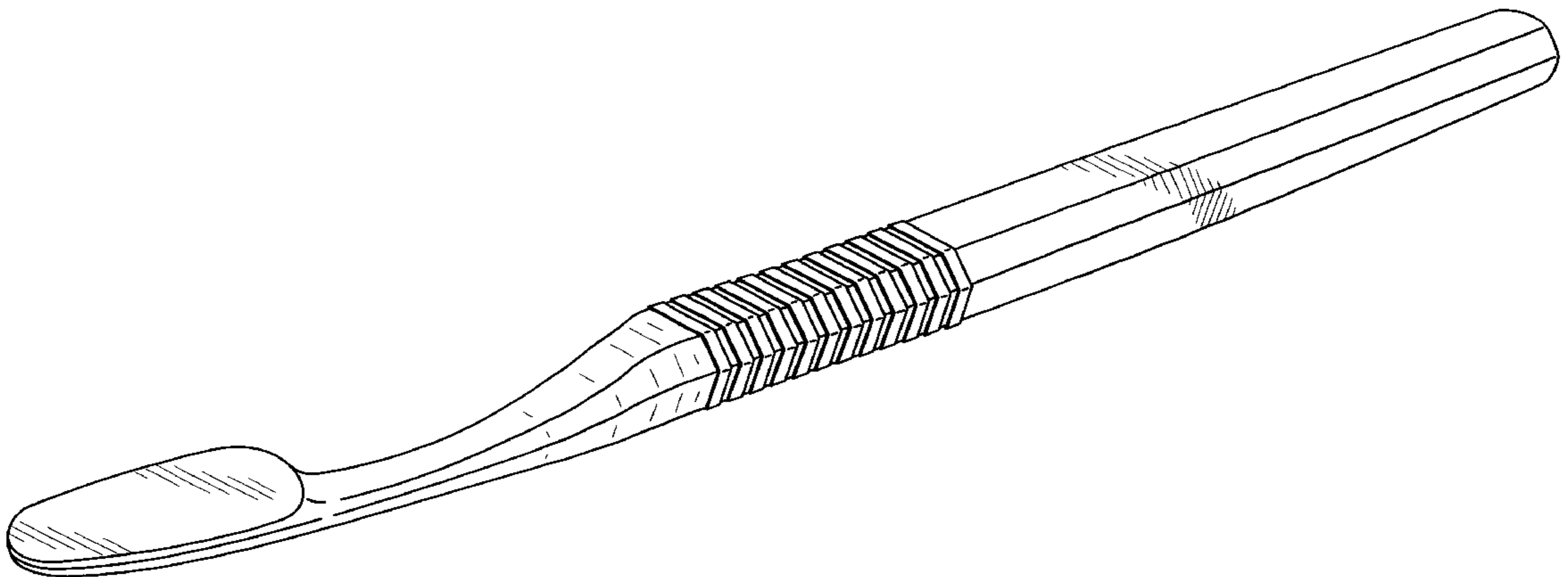
(57) **CLAIM**

The ornamental design for a toothbrush body, as shown and described.

DESCRIPTION

FIG. 1 is a perspective view of a toothbrush body embodying our new design;
FIG. 2 is a left side elevational view thereof;
FIG. 3 is a top plan view thereof;
FIG. 4 is a bottom plan view thereof;
FIG. 5 is a view thereof taken from the free end of the head of said toothbrush body; and,
FIG. 6 is a view thereof taken from the free end of the handle of said toothbrush body.

1 Claim, 2 Drawing Sheets



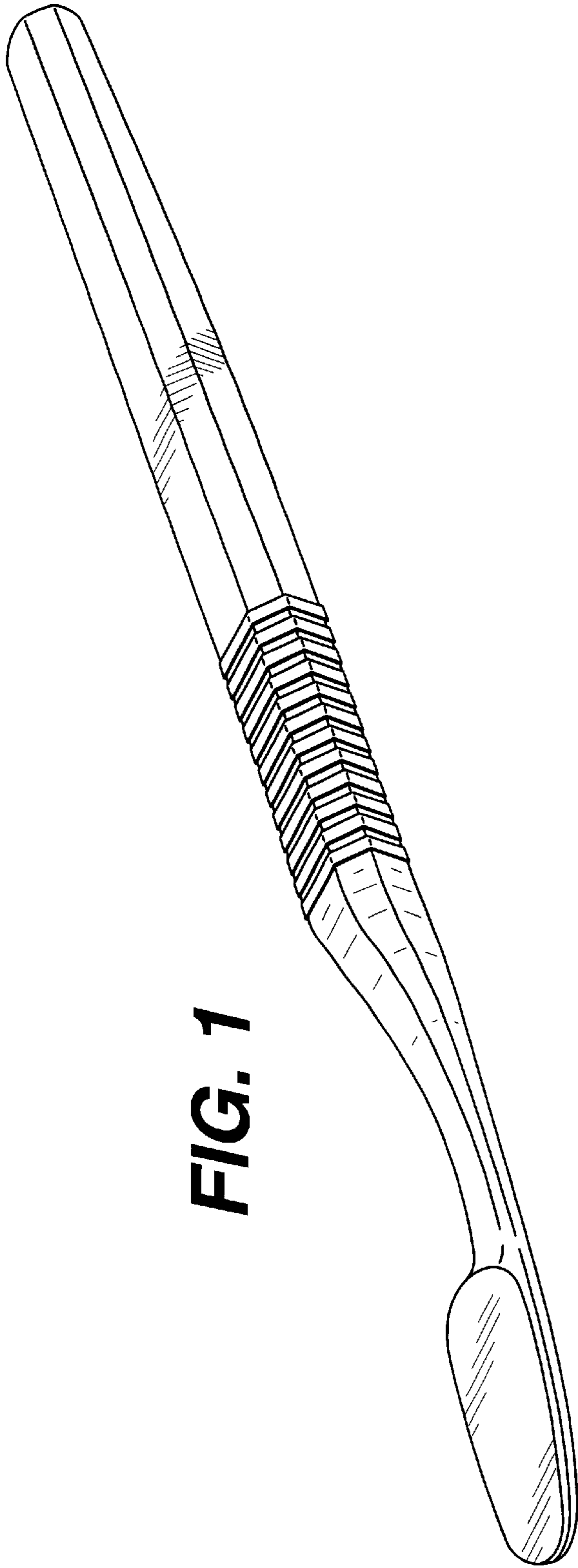


FIG. 1

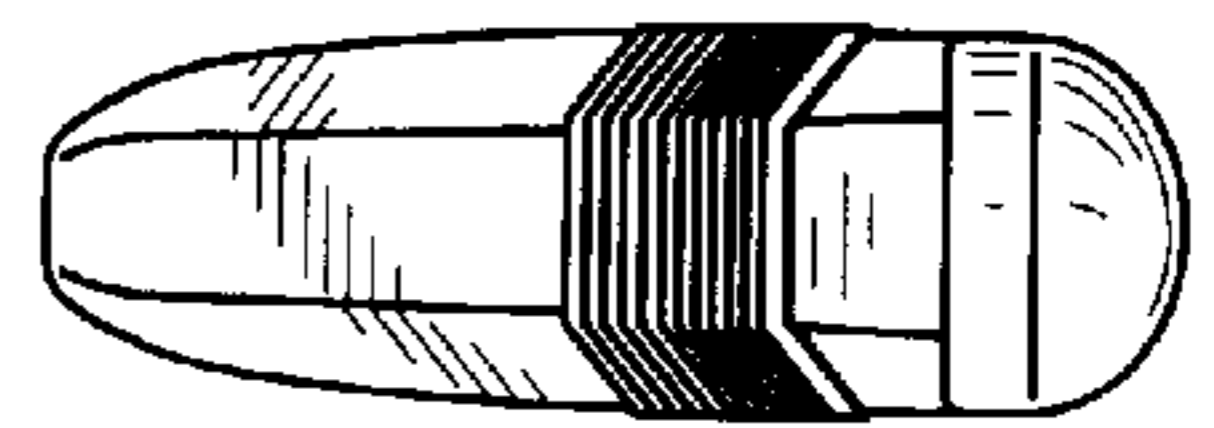


FIG. 5

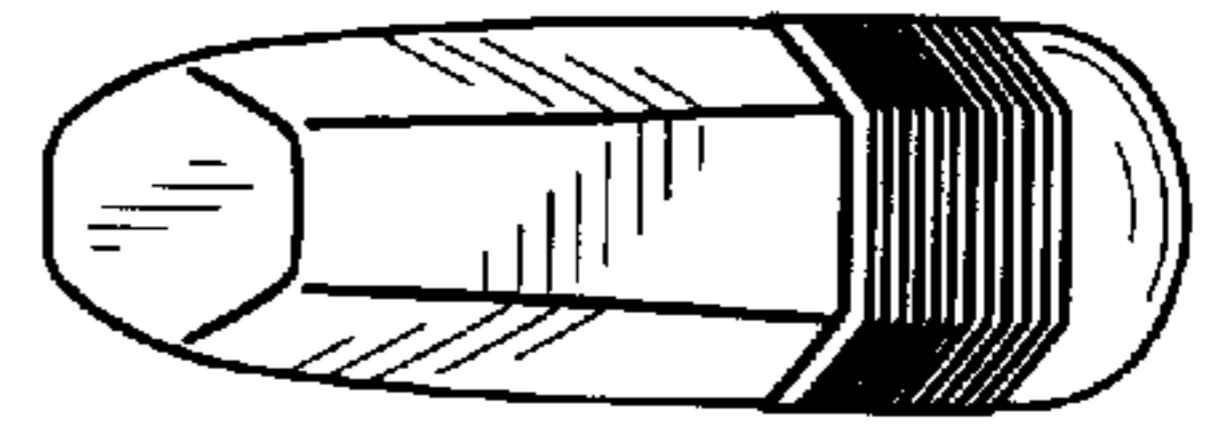


FIG. 6

FIG. 2

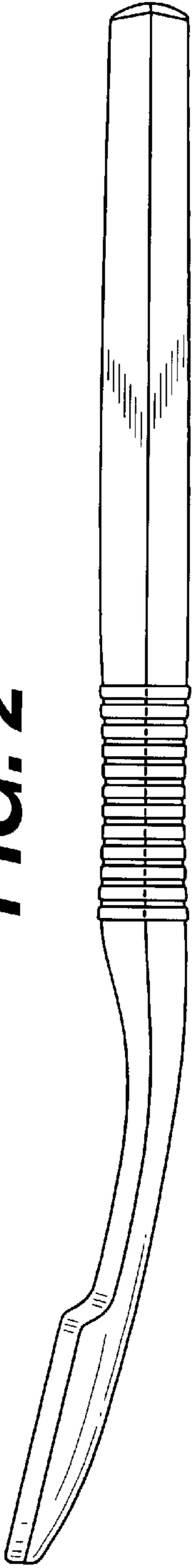


FIG. 3



FIG. 4

