



US00D454691S

(12) **United States Design Patent**
Proot et al.

(10) **Patent No.:** **US D454,691 S**

(45) **Date of Patent:** **** Mar. 26, 2002**

(54) **D-RING ATTACHMENT FOR A LUGGAGE CASE**

(75) Inventors: **Bart Proot, Koekelare; Clemens Van Himbeek, Ronse, both of (BE)**

(73) Assignee: **Samsonite Corporation, Denver, CO (US)**

(**) Term: **14 Years**

(21) Appl. No.: **29/124,026**

(22) Filed: **May 26, 2000**

(51) **LOC (7) Cl.** **03-01**

(52) **U.S. Cl.** **D3/318**

(58) **Field of Search** D3/318; D8/382;
24/265 L, 573.1, 165; 410/111, 106, 101,
116, 107

(56) **References Cited**

U.S. PATENT DOCUMENTS

- 4,715,754 A * 12/1987 Scully 410/107
- 4,907,921 A * 3/1990 Akright 410/111
- 5,052,869 A * 10/1991 Hansen, II 410/111
- 5,180,263 A * 1/1993 Flowers, Jr. 410/106

- 5,248,176 A * 9/1993 Fredriksson 294/1.1
- D361,665 S * 8/1995 Izumi D3/318
- 5,774,948 A * 7/1998 Petschke et al. 24/265 CL
- 6,065,917 A * 5/2000 Shambeau et al. 410/107
- 6,200,026 B1 * 3/2001 Carmichael 383/3
- 6,213,696 B1 * 4/2001 Austin 410/106

* cited by examiner

Primary Examiner—Philip S. Hyder

(74) *Attorney, Agent, or Firm*—Gregory W. O'Connor

(57) **CLAIM**

The ornamental design for a D-ring attachment for a luggage case, as shown and described.

DESCRIPTION

FIG. 1 is a perspective view of the D-ring attachment for a luggage case embodying my new design.

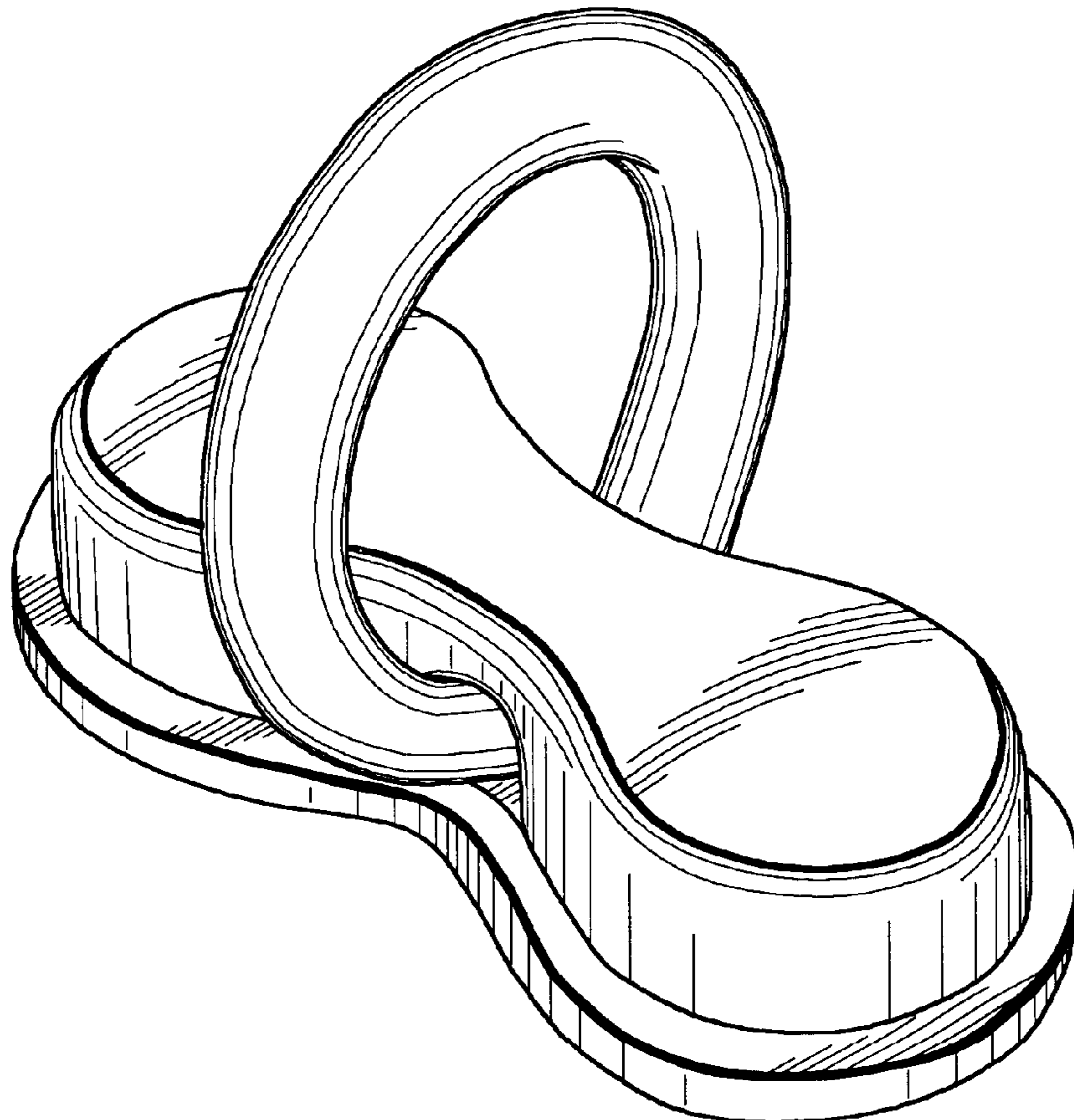
FIG. 2 is a front view of the D-ring attachment shown in FIG. 1, the rear view being a mirror image thereof.

FIG. 3 is a right end view thereof, the left end view being a mirror image thereof.

FIG. 4 is a top view thereof; and,

FIG. 5 is a bottom view thereof.

1 Claim, 2 Drawing Sheets



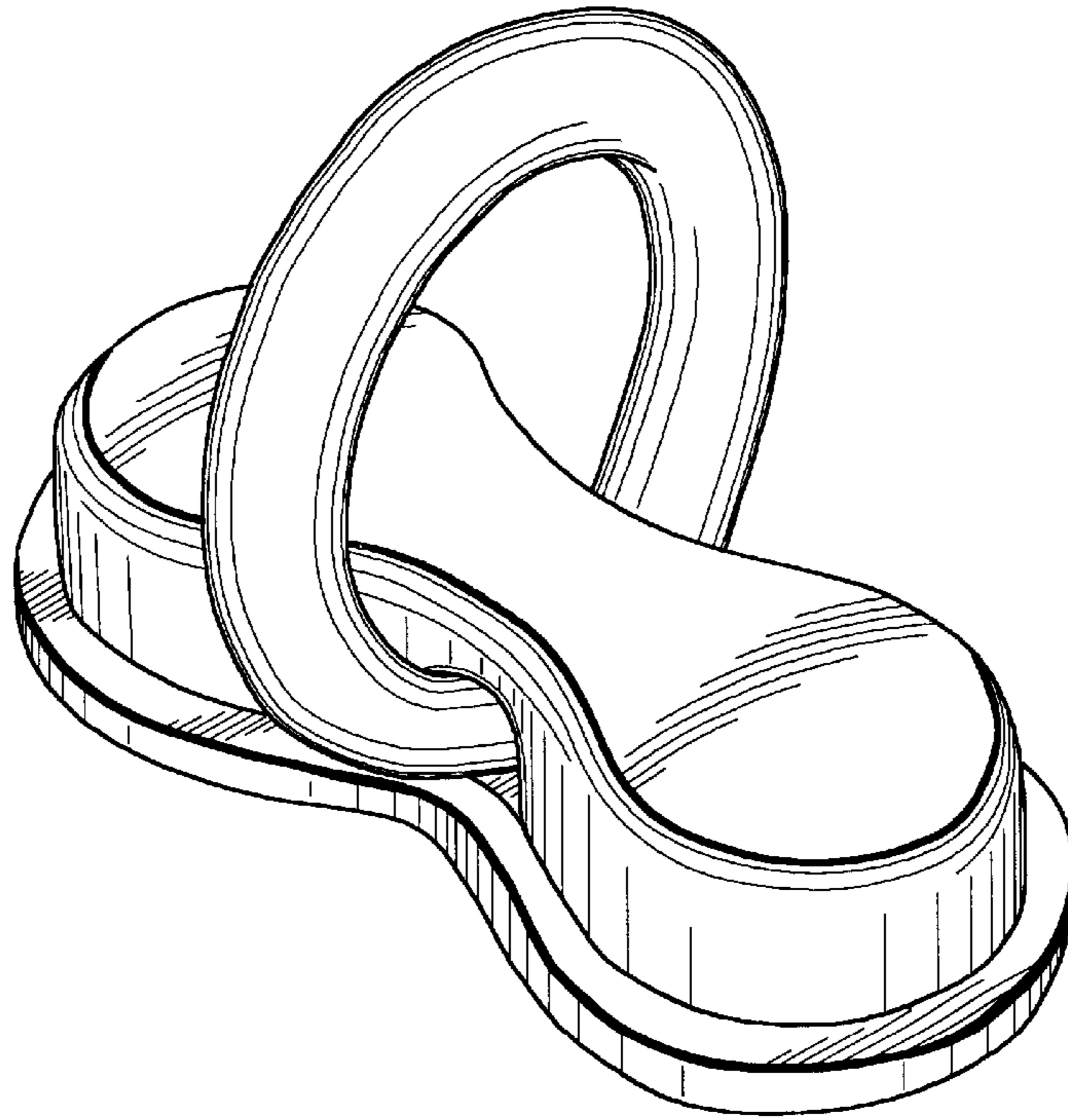


Figure 1

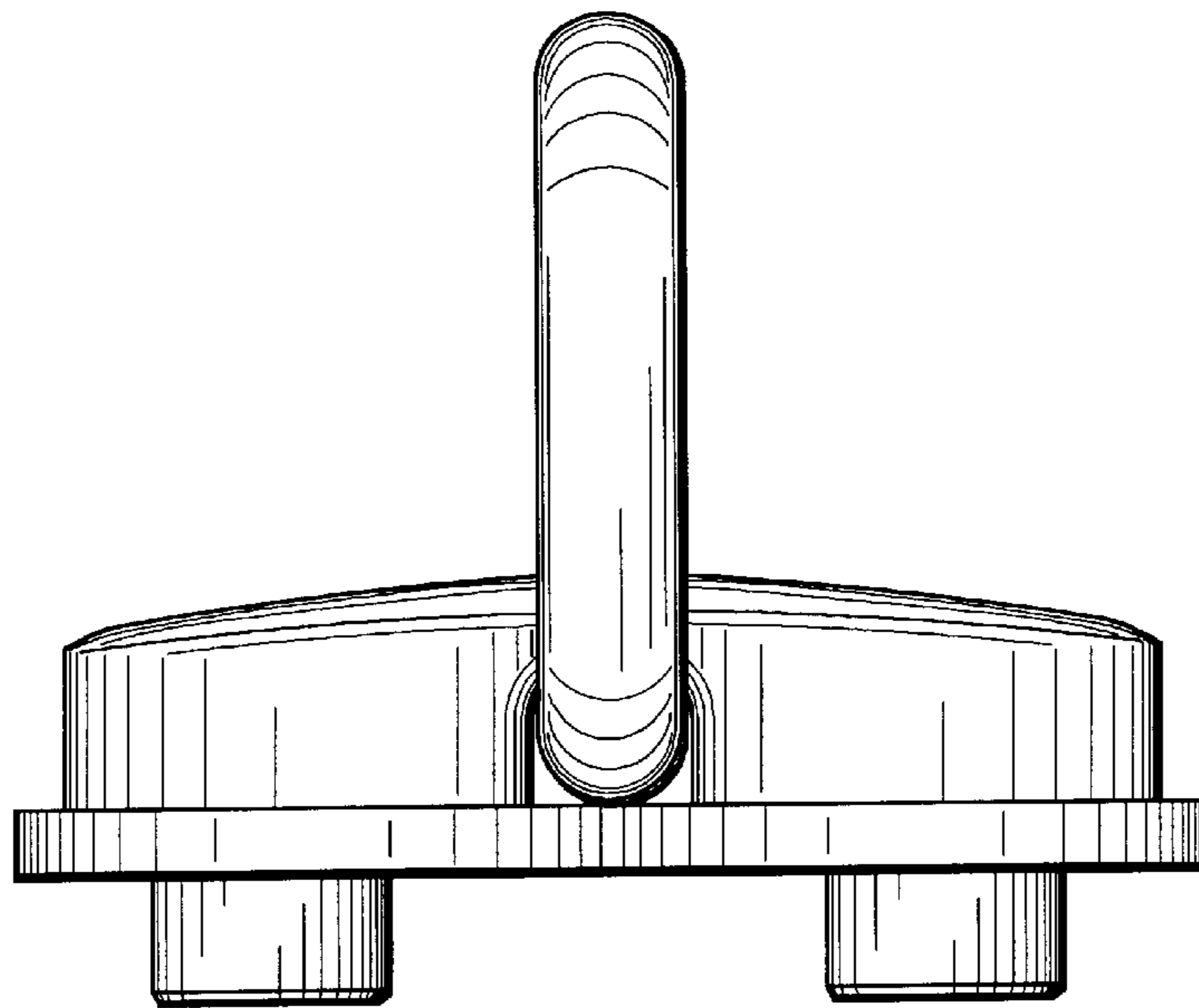


Figure 2

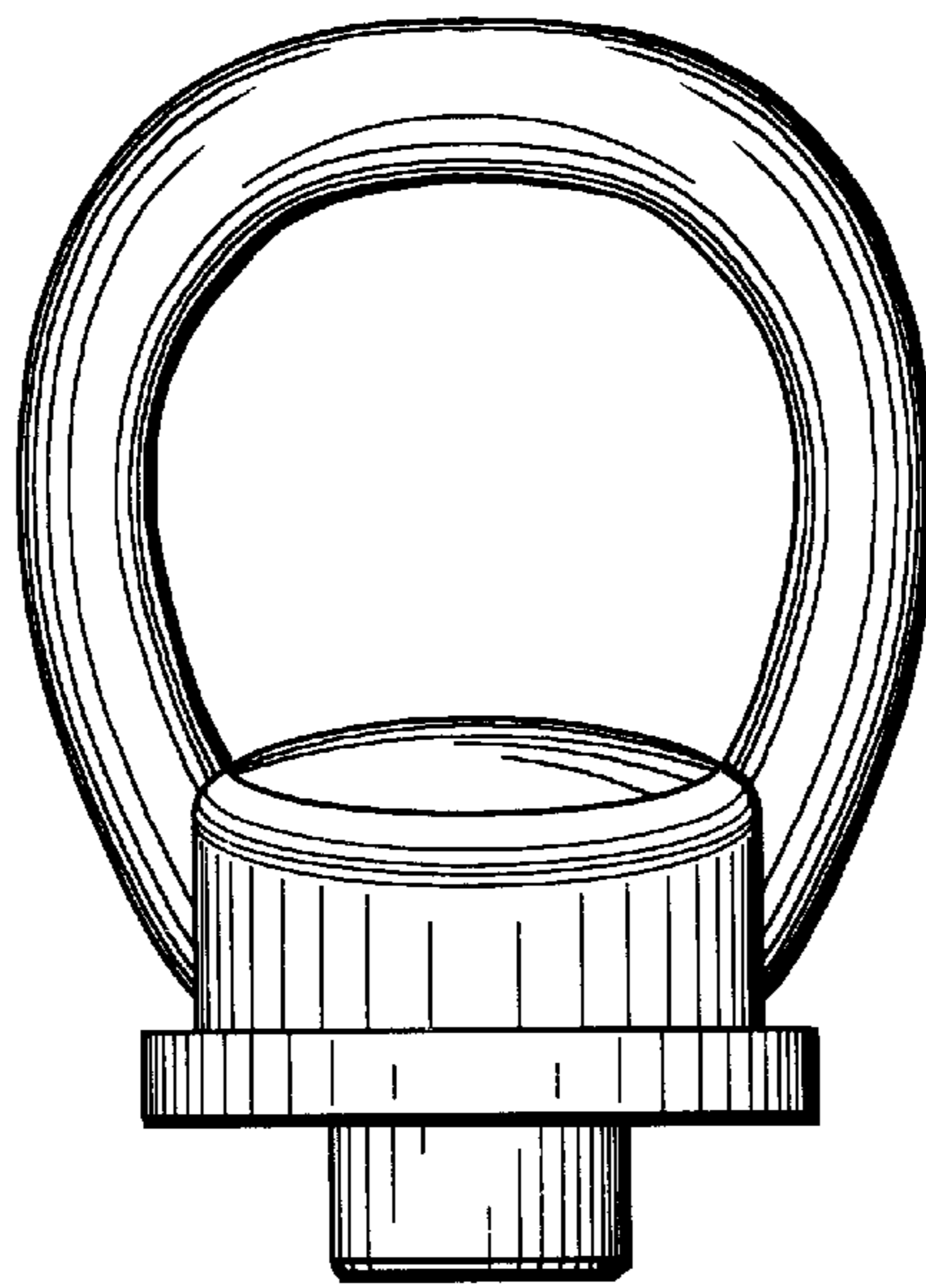


Figure 3

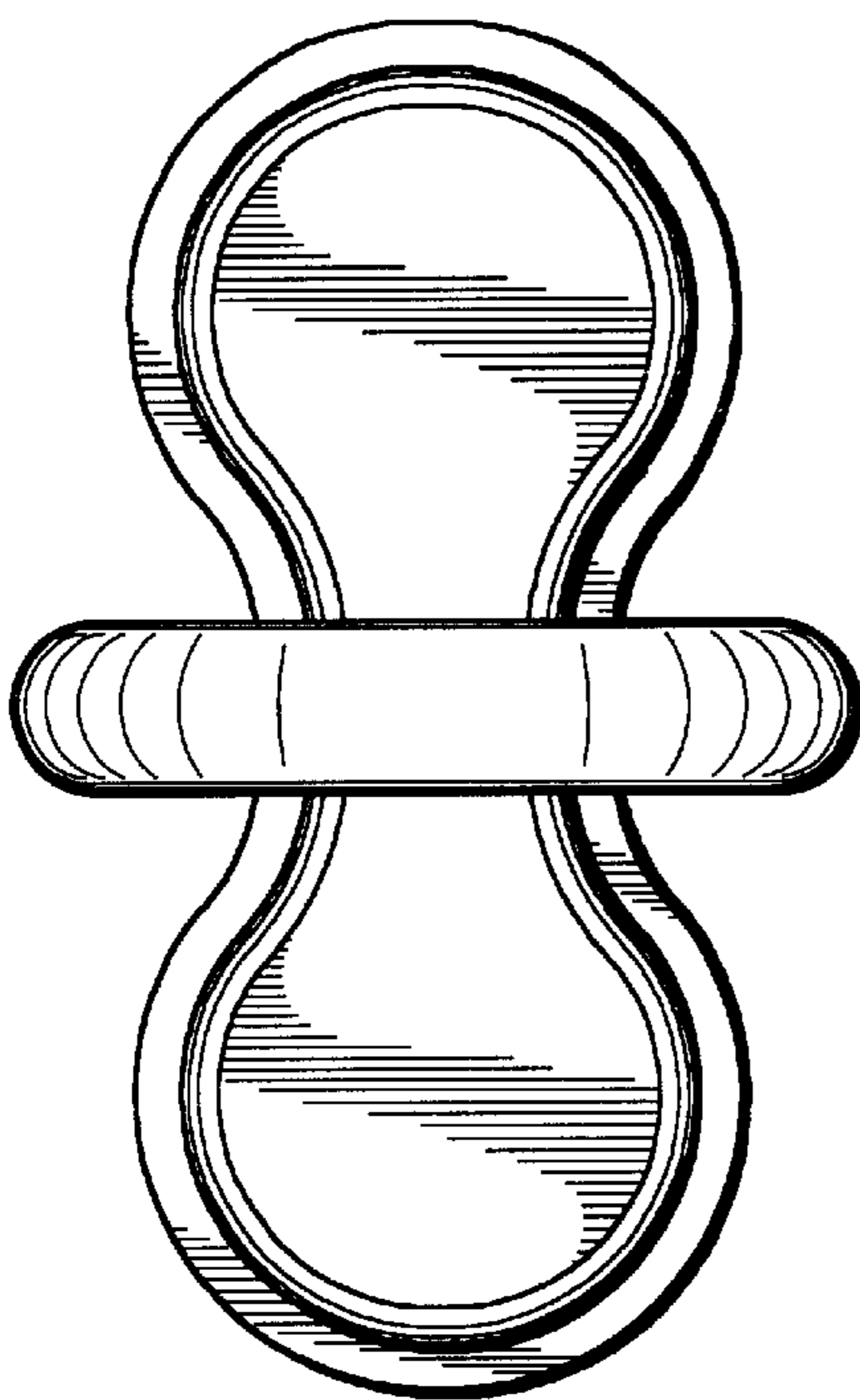


Figure 4

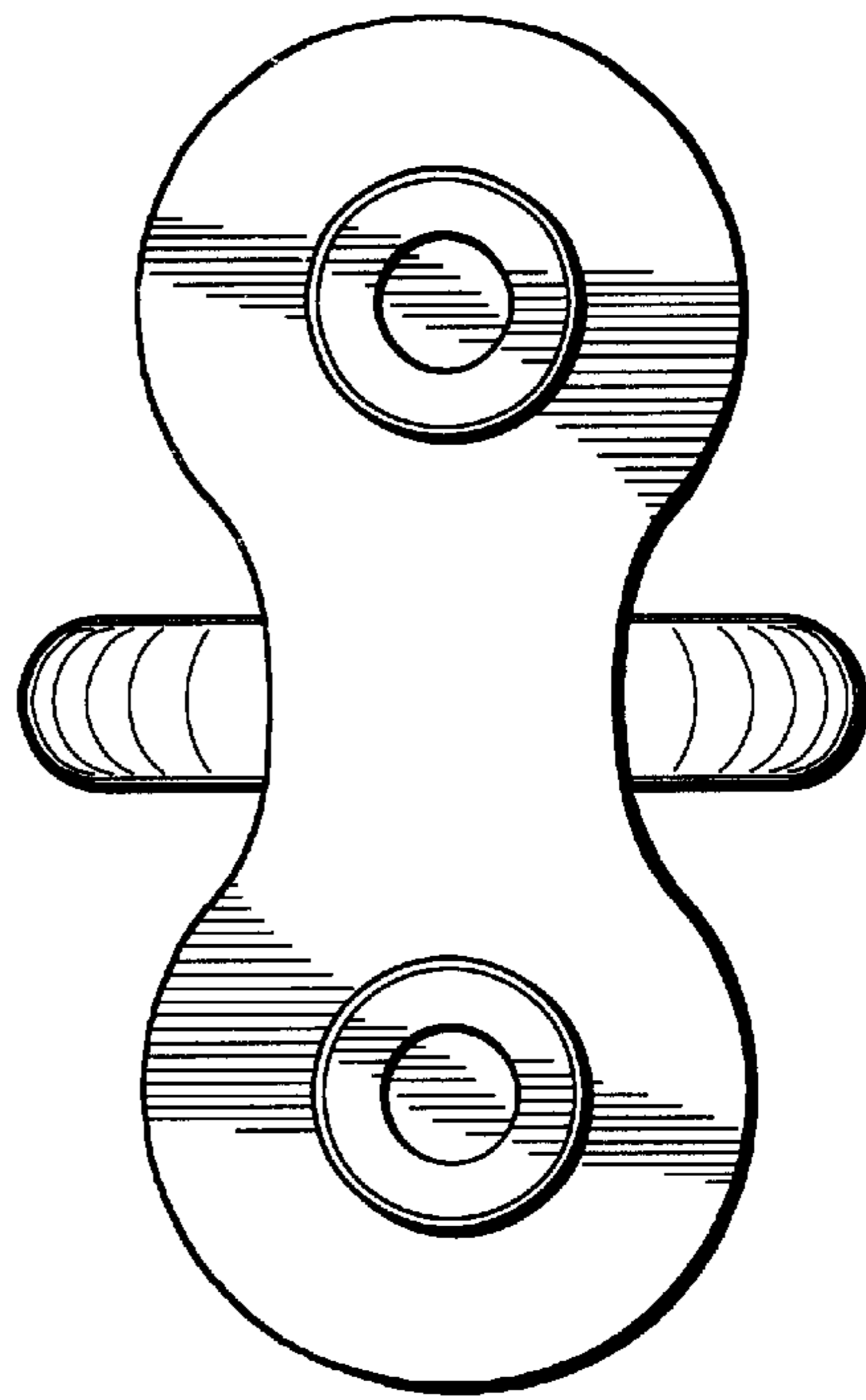


Figure 5