



US00D454687S

(12) **United States Design Patent**
Wolf

(10) **Patent No.:** **US D454,687 S**

(45) **Date of Patent:** **** Mar. 26, 2002**

(54) **OCTAGONAL SHAPED JEWEL BOX**

6,045,202 A * 4/2000 Simon
6,234,340 B1 * 5/2001 Bannister 206/581

(75) Inventor: **Simon Wolf**, Malibu, CA (US)

OTHER PUBLICATIONS

(73) Assignee: **Wolf Designs, Inc.**, Malibu, CA (US)

Hong Kong Enterprise, Oct., 1996, p. 1234, jewelry boxes.*

(**) Term: **14 Years**

* cited by examiner

(21) Appl. No.: **29/139,049**

Primary Examiner—Lucy Lieberman

(22) Filed: **Mar. 22, 2001**

(74) *Attorney, Agent, or Firm*—Cislo & Thomas LLP

(51) **LOC (7) Cl.** **03-01**

(57) **CLAIM**

(52) **U.S. Cl.** **D3/275; D3/284; D3/291;**
D3/296

The ornamental design for an octagonal shaped jewel box,
as shown and described.

(58) **Field of Search** D3/903, 901, 291,
D3/294–297, 20, 201, 205, 203, 273–276,
281–286, 302, 301; 190/110, 102, 109,
111; 206/457, 6.1, 581, 823, 566, 235

DESCRIPTION

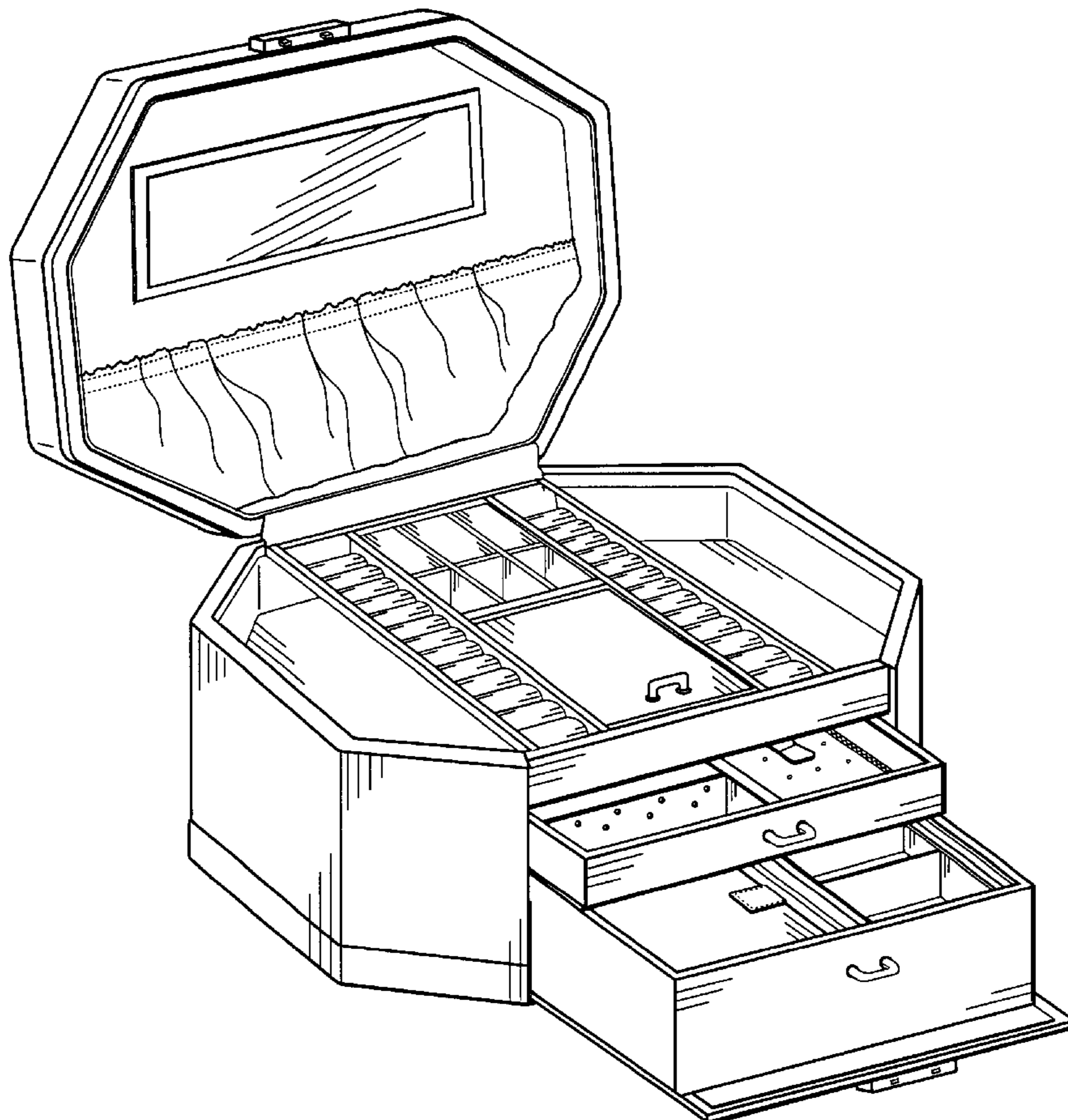
(56) **References Cited**

FIG. 1. is a front perspective view of my octagonal shaped
jewel box;
FIG. 2. is a view similar to FIG. 1, but illustrating the article
in the open position;
FIG. 3. is a front view thereof;
FIG. 4. is a rear view thereof;
FIG. 5. is a left side elevational view thereof;
FIG. 6. is a right side elevational view thereof;
FIG. 7. is a top view thereof; and,
FIG. 8. is a bottom view thereof.

U.S. PATENT DOCUMENTS

2,046,133 A	*	6/1936	Rathbun	
D218,590 S	*	9/1970	Pettis	D3/20
D335,219 S	*	5/1993	Vogt et al.	D3/291
D346,065 S	*	4/1994	Rooks	D3/20
D361,429 S	*	8/1995	Mohundro	D3/294
D417,783 S	*	12/1999	Wolf	D3/291

1 Claim, 3 Drawing Sheets



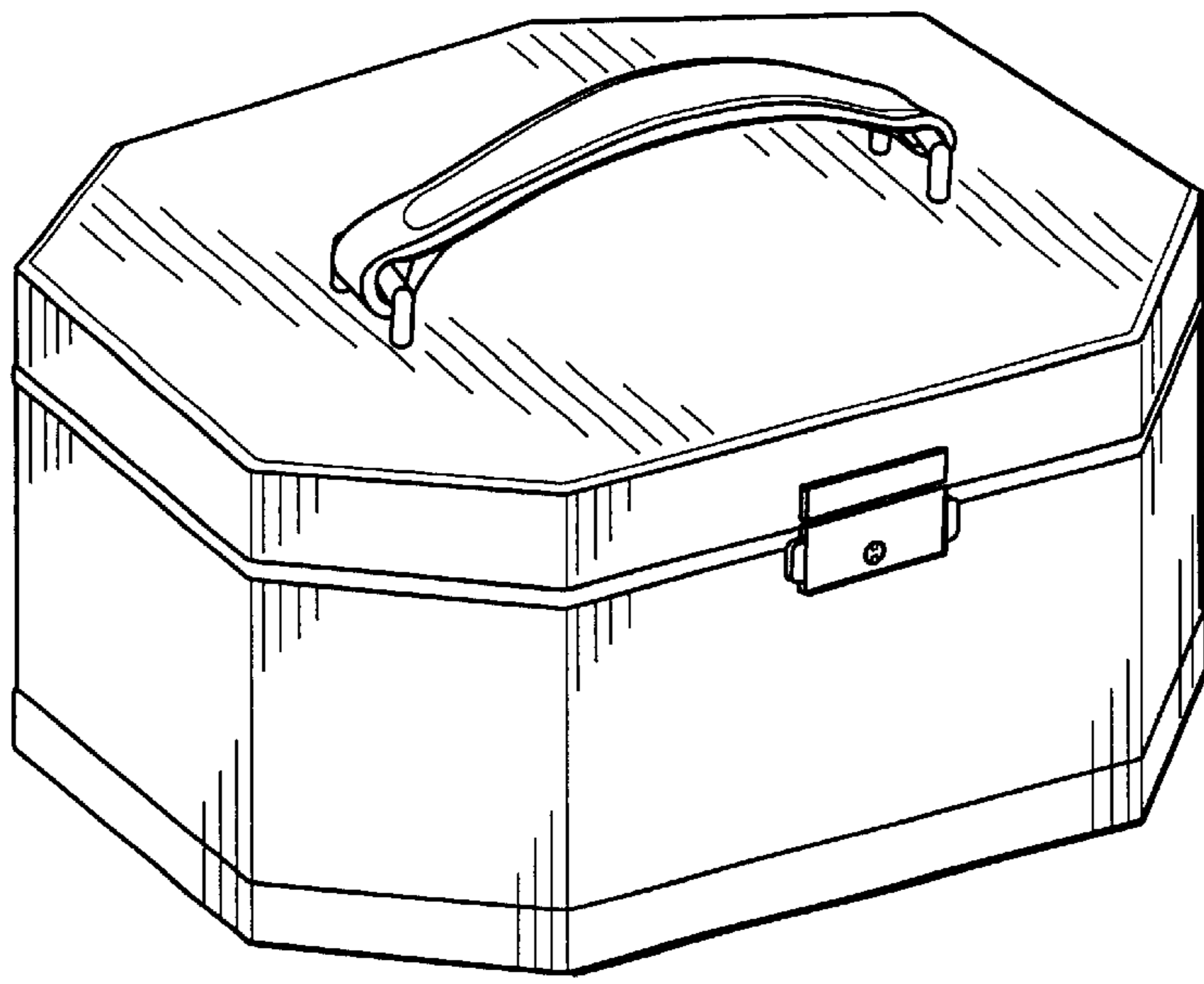


FIG. 1

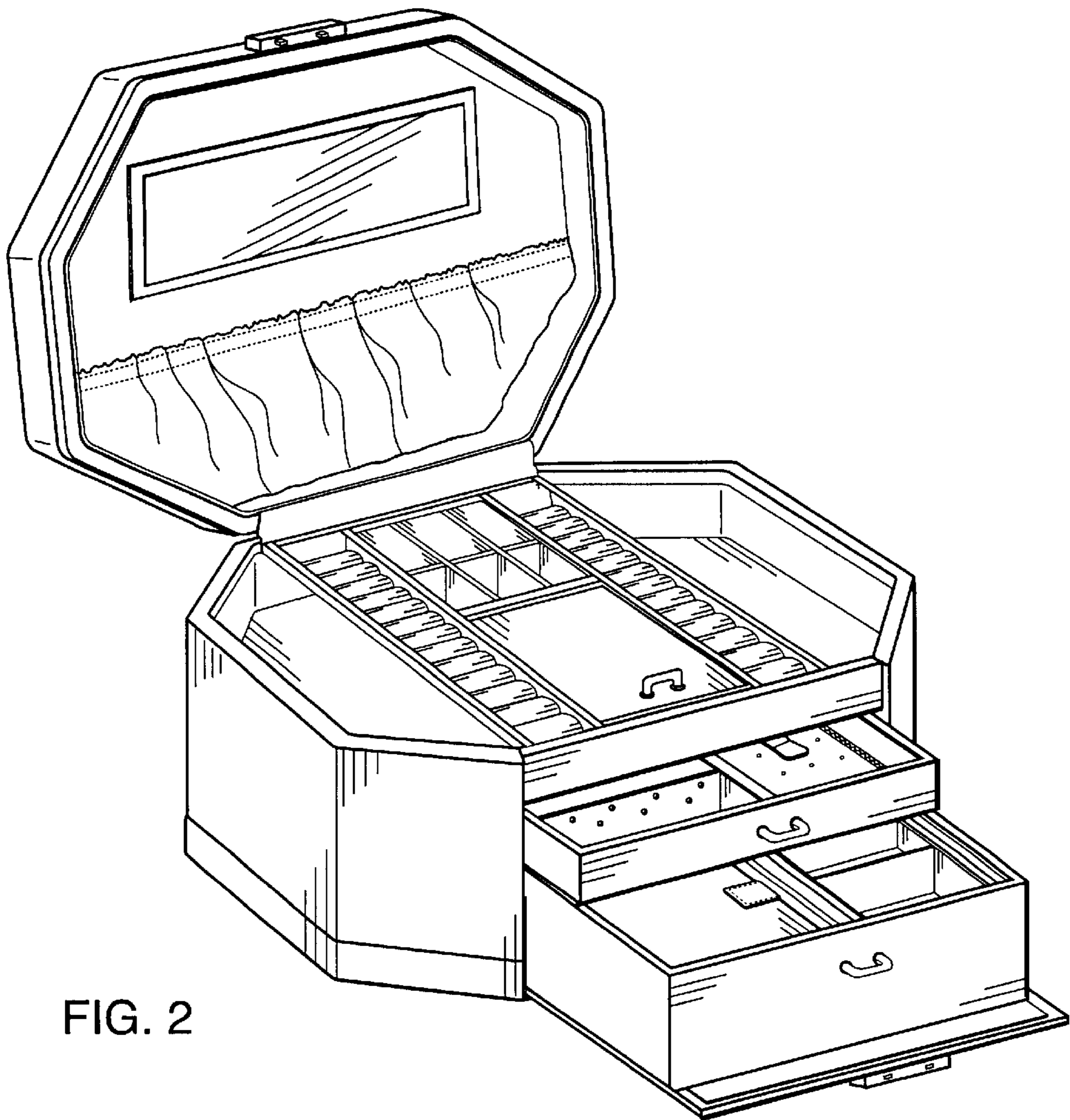


FIG. 2

FIG. 3

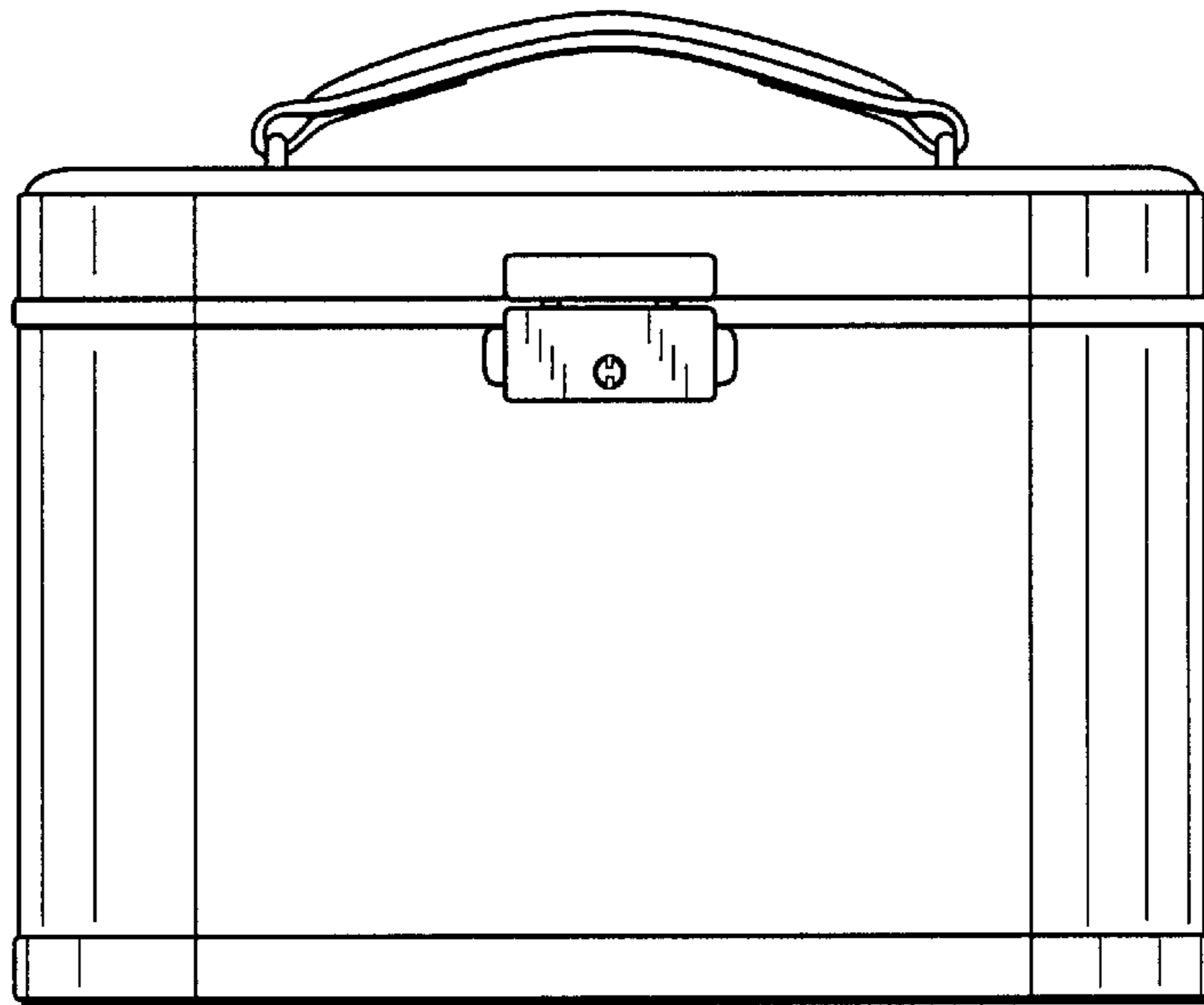


FIG. 4

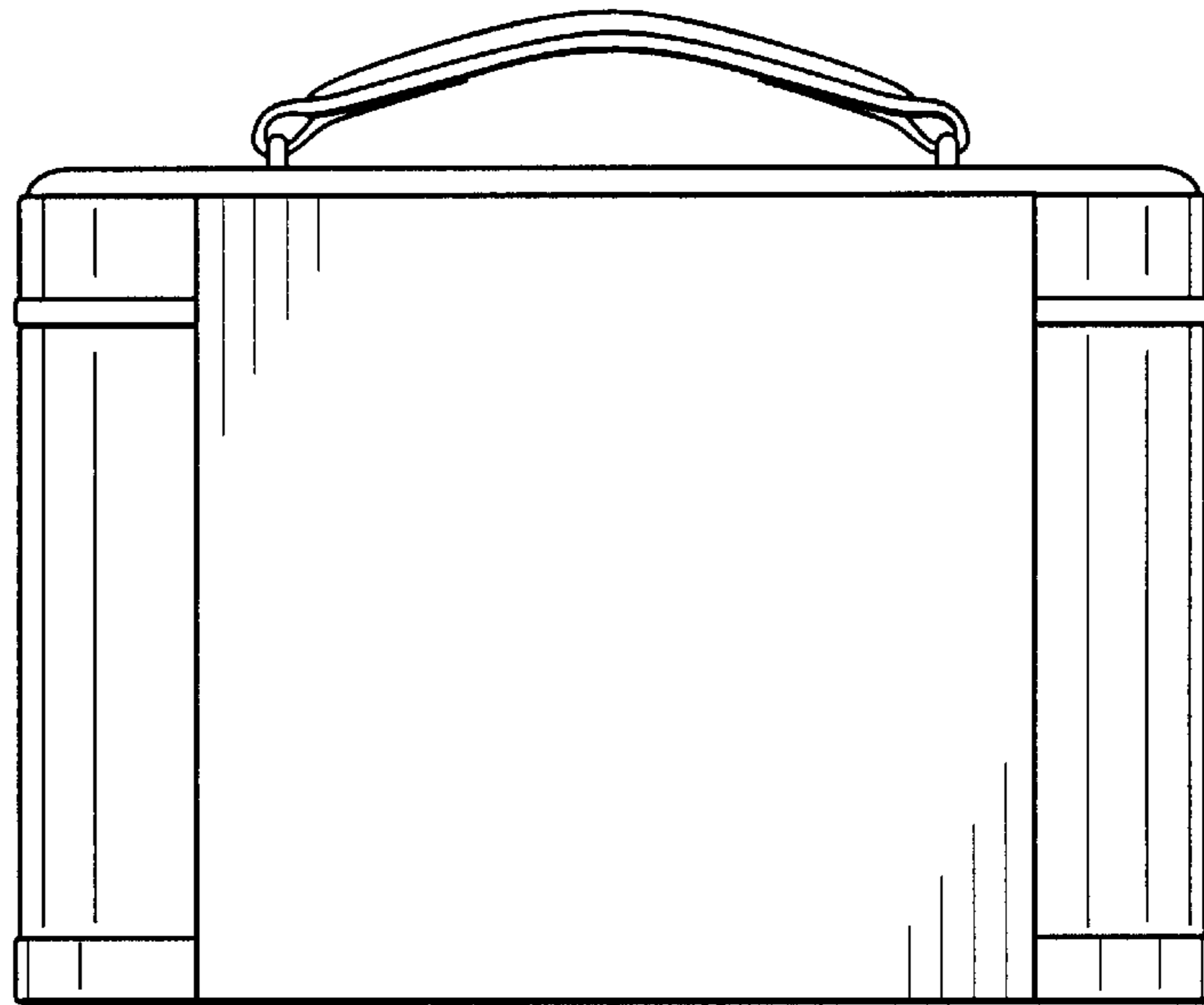
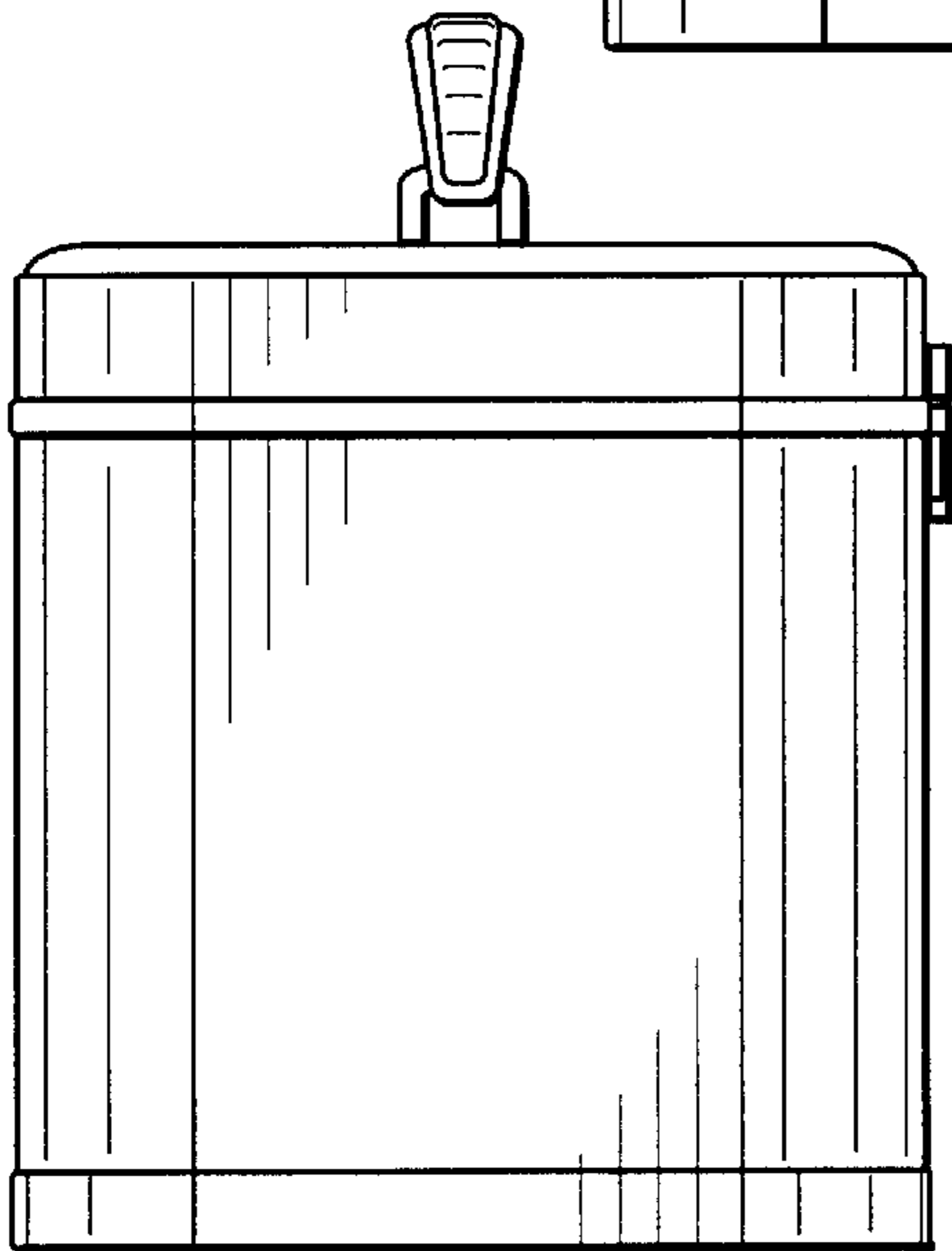


FIG. 5



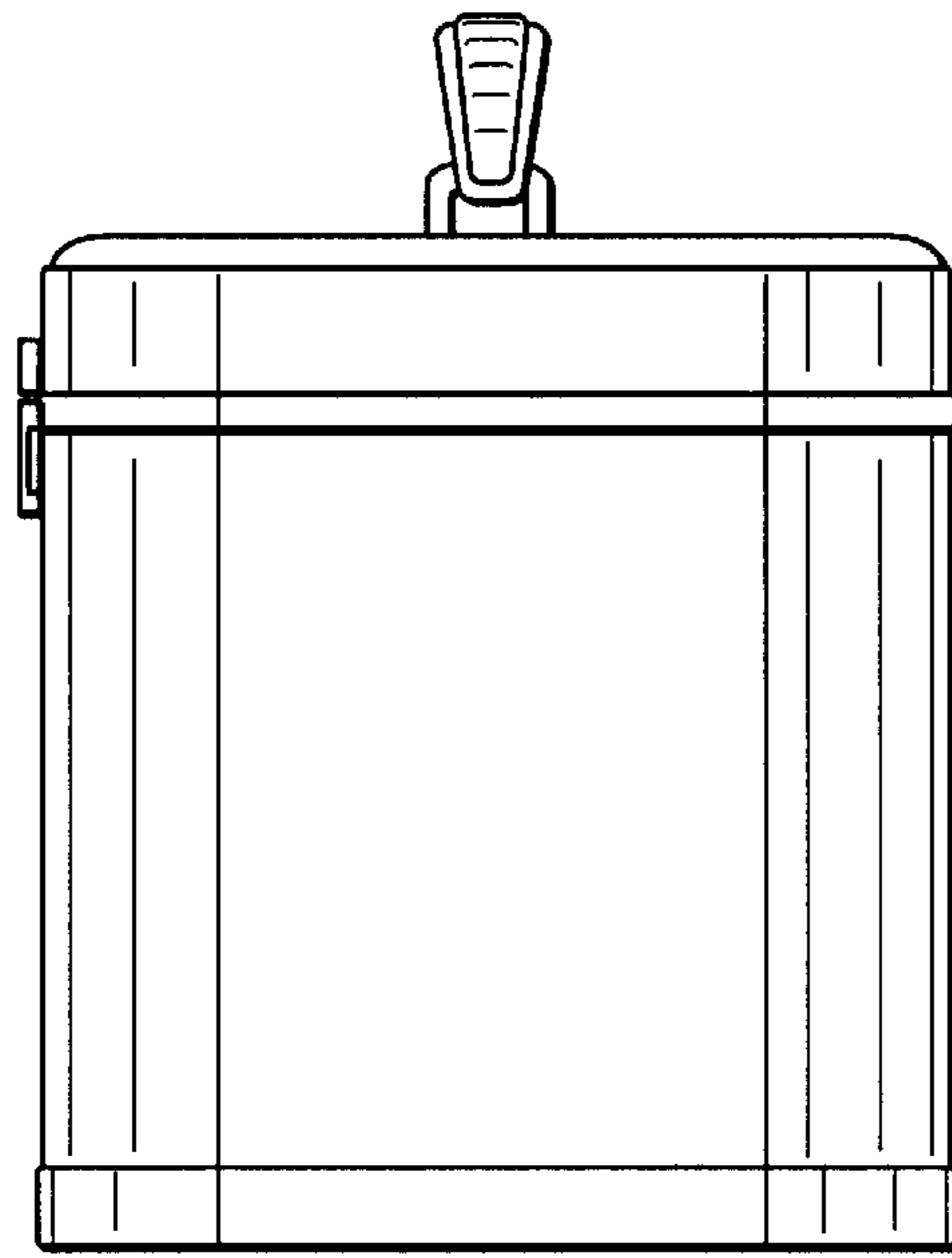


FIG. 6

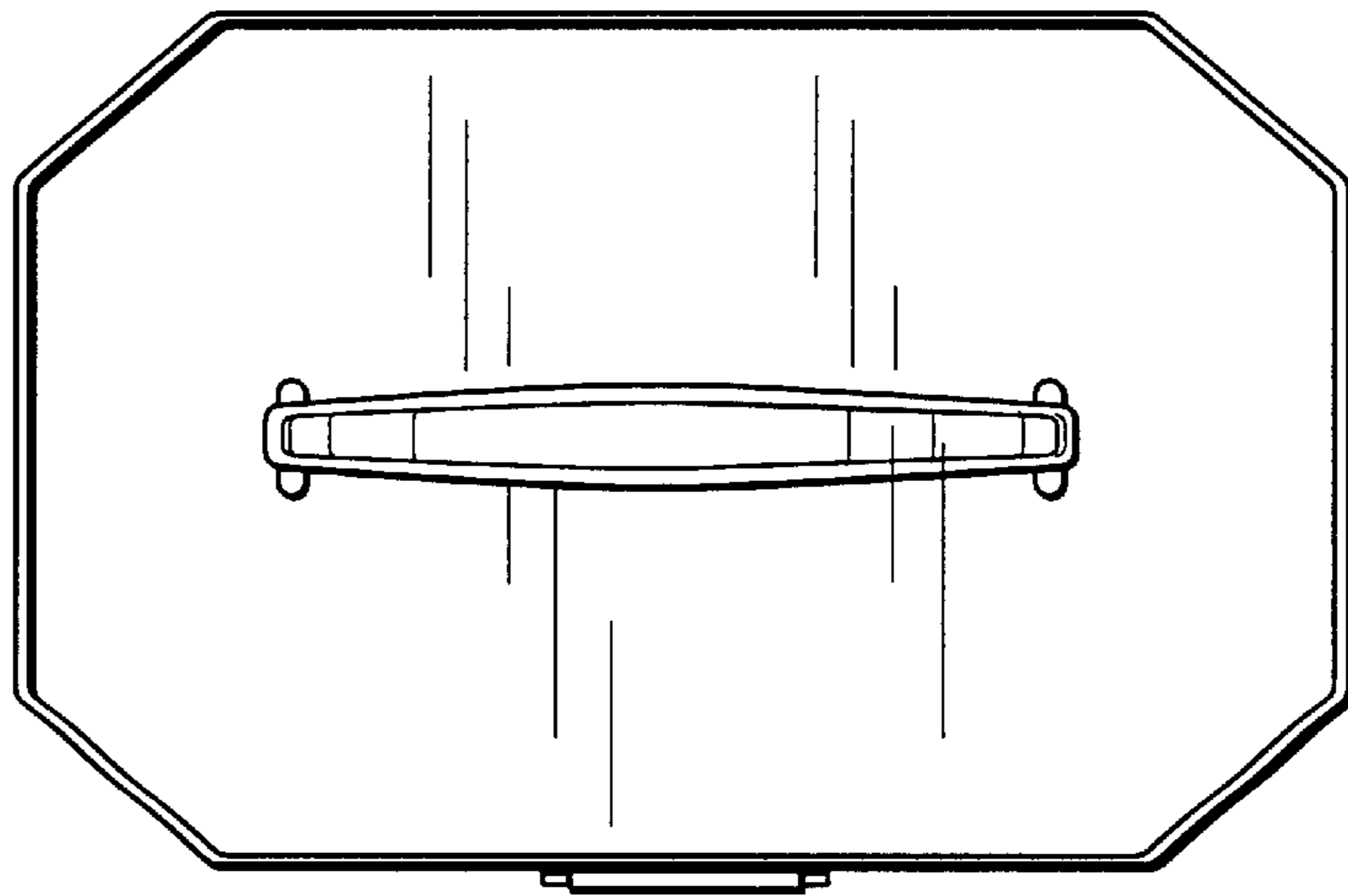


FIG. 7

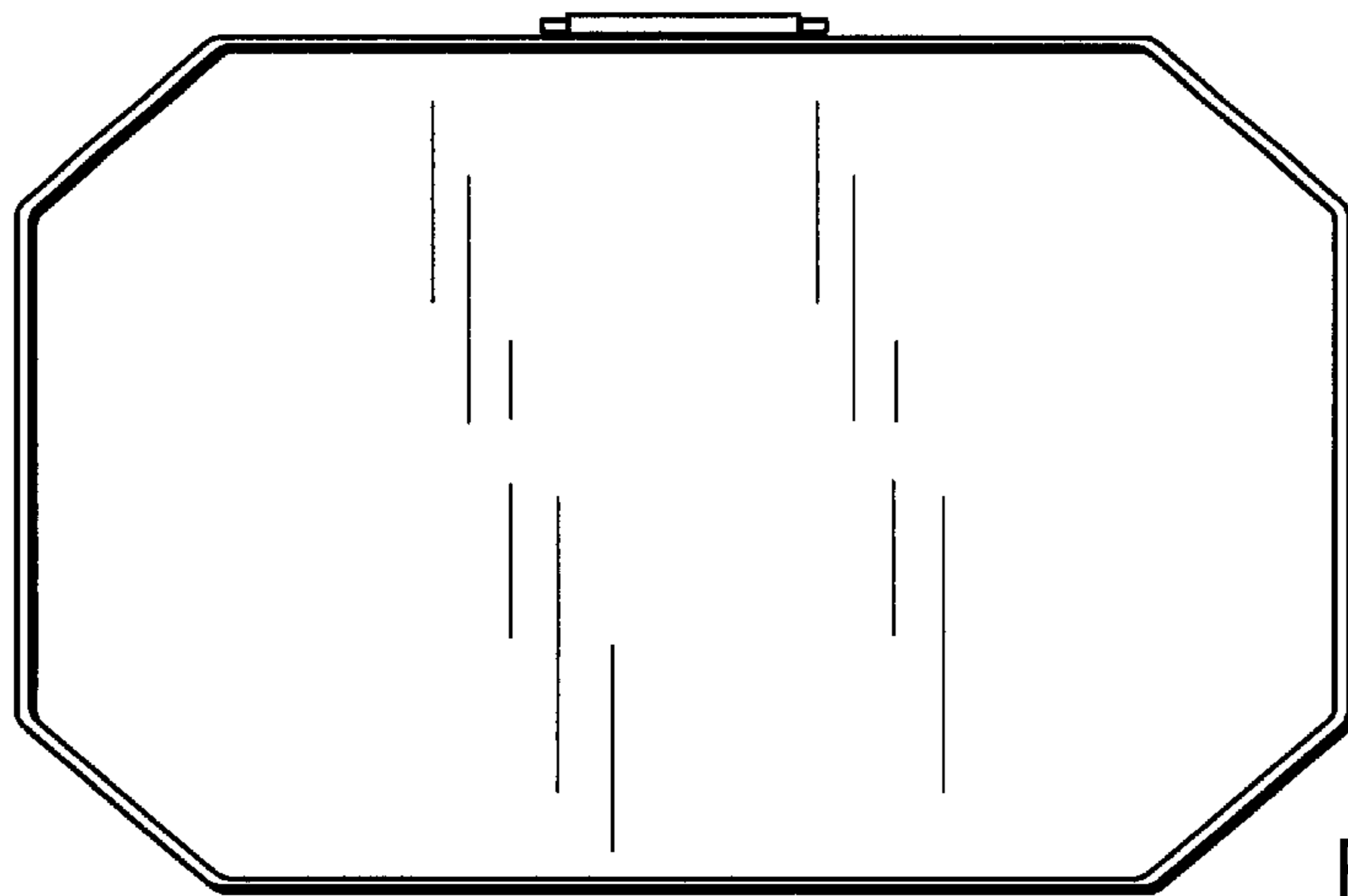


FIG. 8