



US00D454682S

(12) **United States Design Patent**
D'Andrea

(10) **Patent No.:** **US D454,682 S**

(45) **Date of Patent:** **** Mar. 26, 2002**

(54) **UMBRELLA SUPPORT DEVICE**

(76) Inventor: **Cam K D'Andrea**, Box # 41 Tees,
Alberta (CA), T0C 2N0

(**) Term: **14 Years**

(21) Appl. No.: **29/141,733**

(22) Filed: **May 11, 2001**

(51) **LOC (7) Cl.** **03-03**

(52) **U.S. Cl.** **D3/10; D6/416; D6/417**

(58) **Field of Search** **D3/5, 10; D6/416,**
D6/417; 135/98, 99, 114, 118, 19, 15.1,
20.3, 16, 37; 248/156, 530, 533; D21/840

(56) **References Cited**

U.S. PATENT DOCUMENTS

2,211,283	A	*	8/1940	Mercer	
D287,156	S		12/1986	Sloane	
4,753,411	A		6/1988	Lechner et al.	
4,850,564	A		7/1989	Padin	
5,088,681	A		2/1992	Procaccianti	
5,122,014	A		6/1992	Genfan	
5,293,889	A	*	3/1994	Hall et al.	248/533
5,396,916	A	*	3/1995	Boissonnault	135/16
D364,286	S	*	11/1995	Loadholtz	D6/417

5,482,246	A		1/1996	Derkoski	
D386,323	S	*	11/1997	Davis	D6/417
D433,224	S	*	11/2000	Cochran, Jr.	D3/10
6,164,613	A	*	12/2000	Williams	248/533

* cited by examiner

Primary Examiner—Lucy Lieberman

(57) **CLAIM**

The ornamental design for a umbrella support device, as shown and described.

DESCRIPTION

FIG. 1 is a front elevational view of the umbrella support device of the present invention, the rear view being a mirror image thereof;

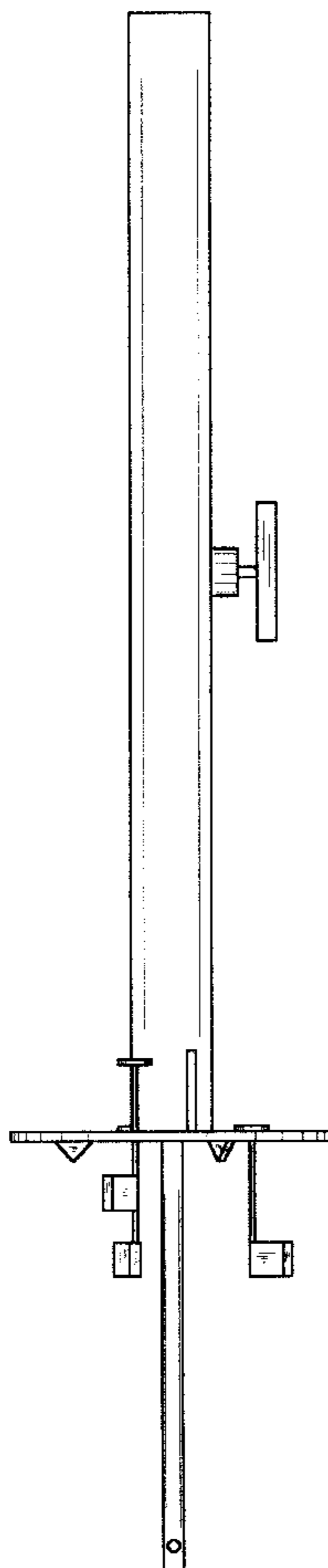
FIG. 2 is a left side elevational view of the umbrella support device of FIG. 1;

FIG. 3 is a right side elevational view of the umbrella support device of FIG. 1;

FIG. 4 is a top plan view of the umbrella support device of FIG. 1; and,

FIG. 5 is a bottom plan view of the umbrella support device of FIG. 1.

1 Claim, 3 Drawing Sheets



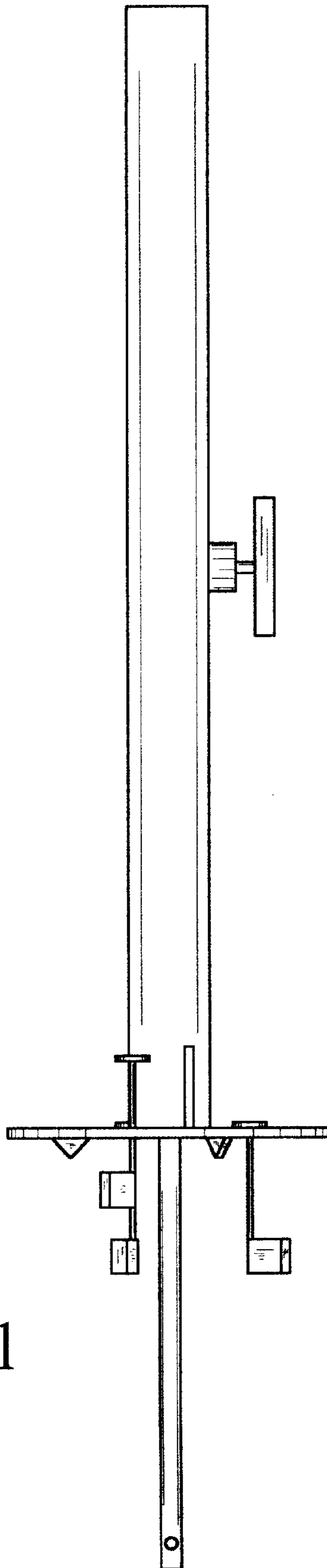


FIG. 1

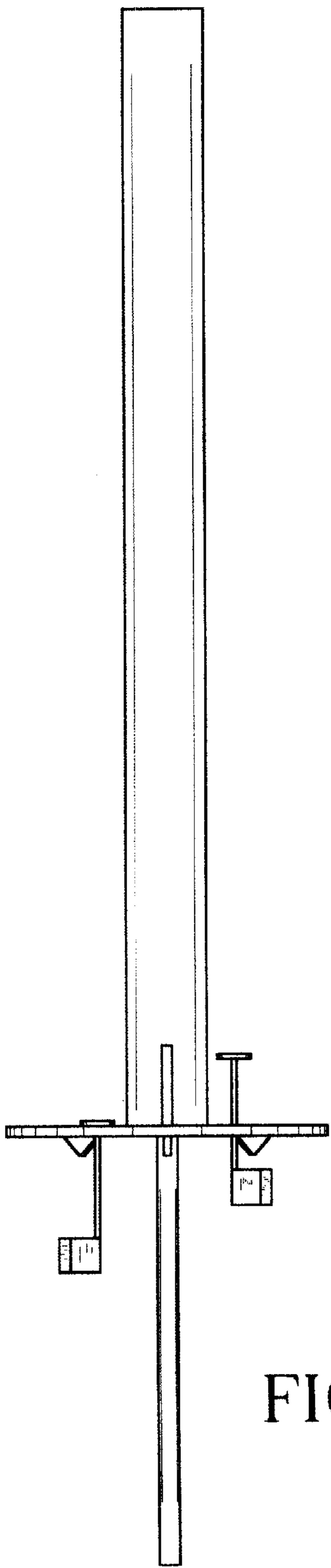


FIG. 2

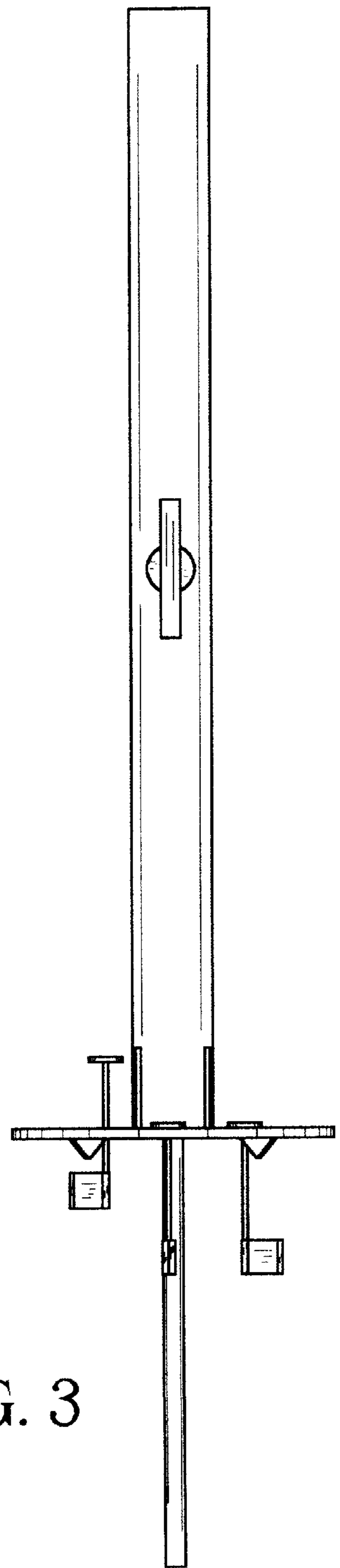


FIG. 3

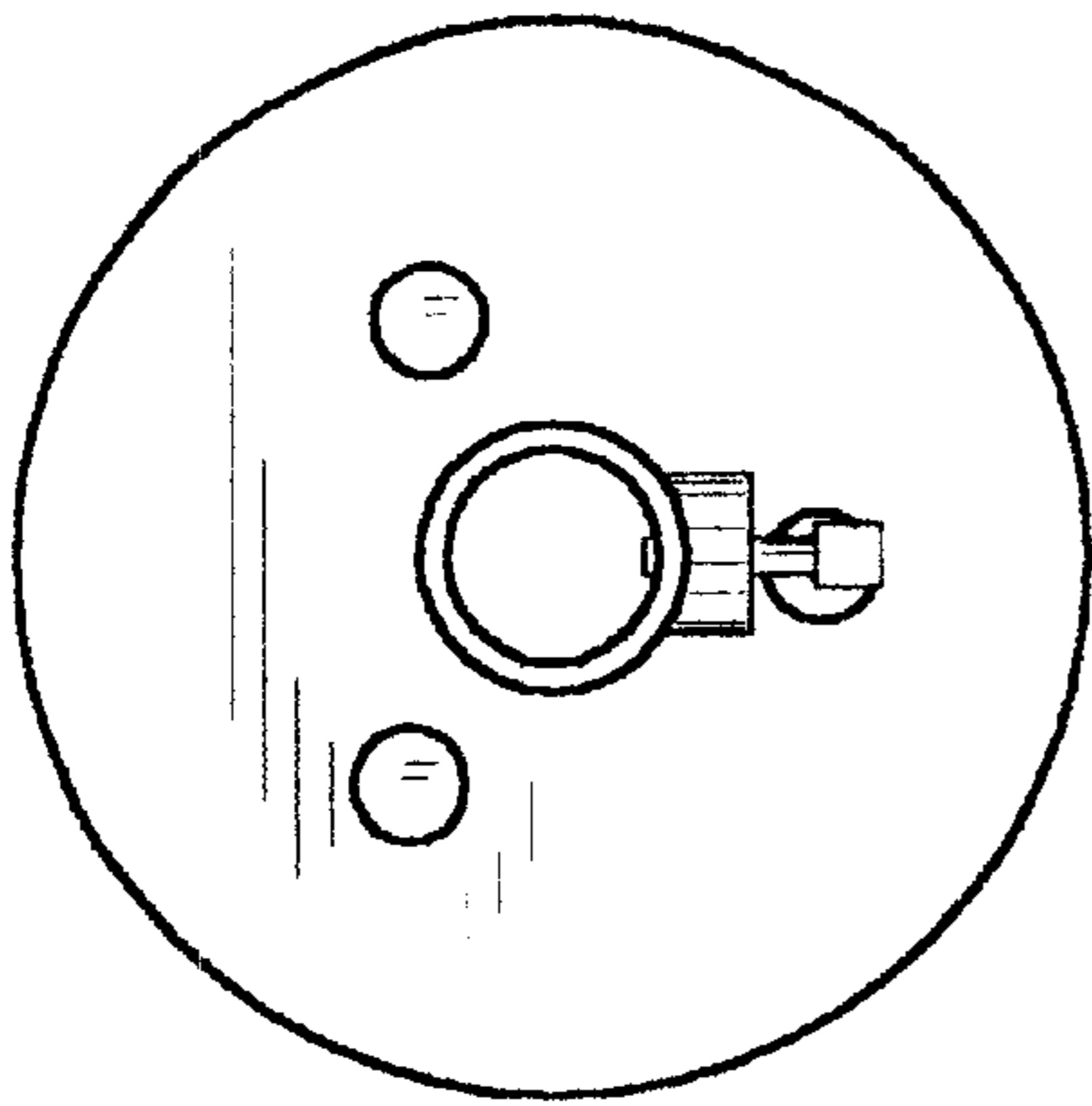


FIG. 4

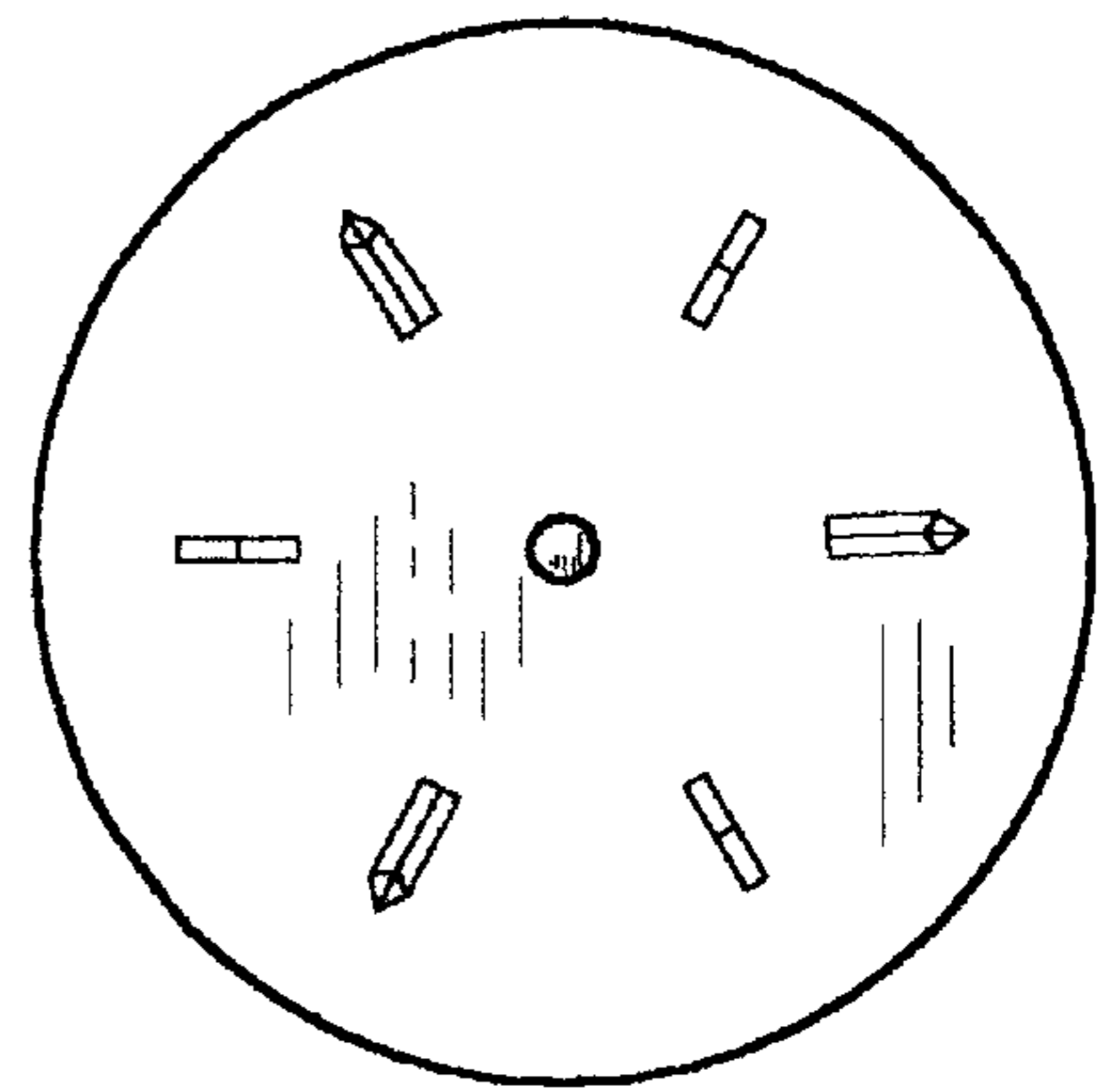


FIG. 5