



US00D454676S

(12) **United States Design Patent**
Izzi

(10) **Patent No.:** **US D454,676 S**

(45) **Date of Patent:** **** Mar. 19, 2002**

(54) **CREMATION URN LID WITH DRAGON EMBLEM**

D360,732 S * 7/1995 Parker D99/5
D438,685 S * 3/2001 Robinson D99/5

(75) Inventor: **Stephen J. Izzi**, Warwick, RI (US)

(73) Assignee: **Wilbert Funeral Services, Inc.**, Forest Park, IL (US)

(**) Term: **14 Years**

(21) Appl. No.: **29/144,273**

(22) Filed: **Jun. 27, 2001**

Related U.S. Application Data

(62) Division of application No. 29/129,312, filed on Sep. 12, 2000.

(51) **LOC (7) Cl.** **99-00**

(52) **U.S. Cl.** **D99/5**

(58) **Field of Search** D99/1, 5; D11/40, D11/99, 143, 144, 145, 146, 151, 152, 157, 158; D7/540, 612, 900, 40; D21/615; 27/1-10; D9/435

(56) **References Cited**

U.S. PATENT DOCUMENTS

D98,914 S * 3/1936 Briscoe D99/5
D313,754 S * 1/1991 Pomroy D9/435
D356,422 S * 3/1995 Parker D99/5

OTHER PUBLICATIONS

Chinese Dragon Hong Kong Enterprise p. 519, Dec. 1990.*
Photo of lid with urn (1997).
Photo of Personal Expressions Emblems for lids (emblems sold on the sides of urns for more than one year prior to the filing of this application).

* cited by examiner

Primary Examiner—Paula A. Mortimer
(74) *Attorney, Agent, or Firm*—Brinks, Hofer, Gilson & Lione

(57) **CLAIM**

The ornamental design for a cremation urn lid with dragon emblem, as shown and described.

DESCRIPTION

FIG. 1 is a perspective view of our new, original and ornamental design for a cremation urn lid with dragon emblem;

FIG. 2 is a side view of FIG. 1;

FIG. 3 is a top view thereof; and,

FIG. 4 is a bottom plan view thereof.

The broken lines in the Figures are for illustrative purposes only and form no part of the claimed design.

1 Claim, 1 Drawing Sheet

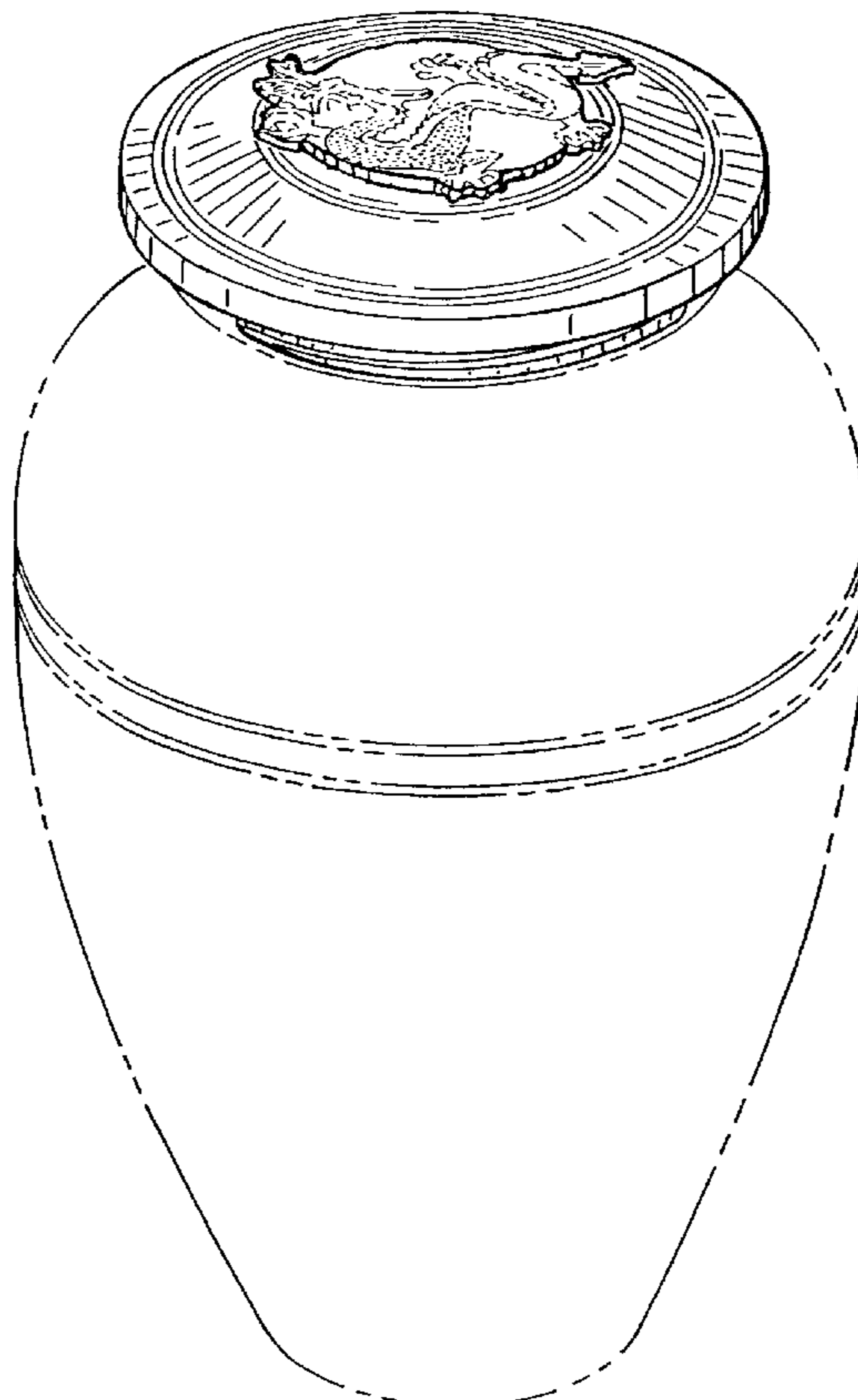


FIG.2

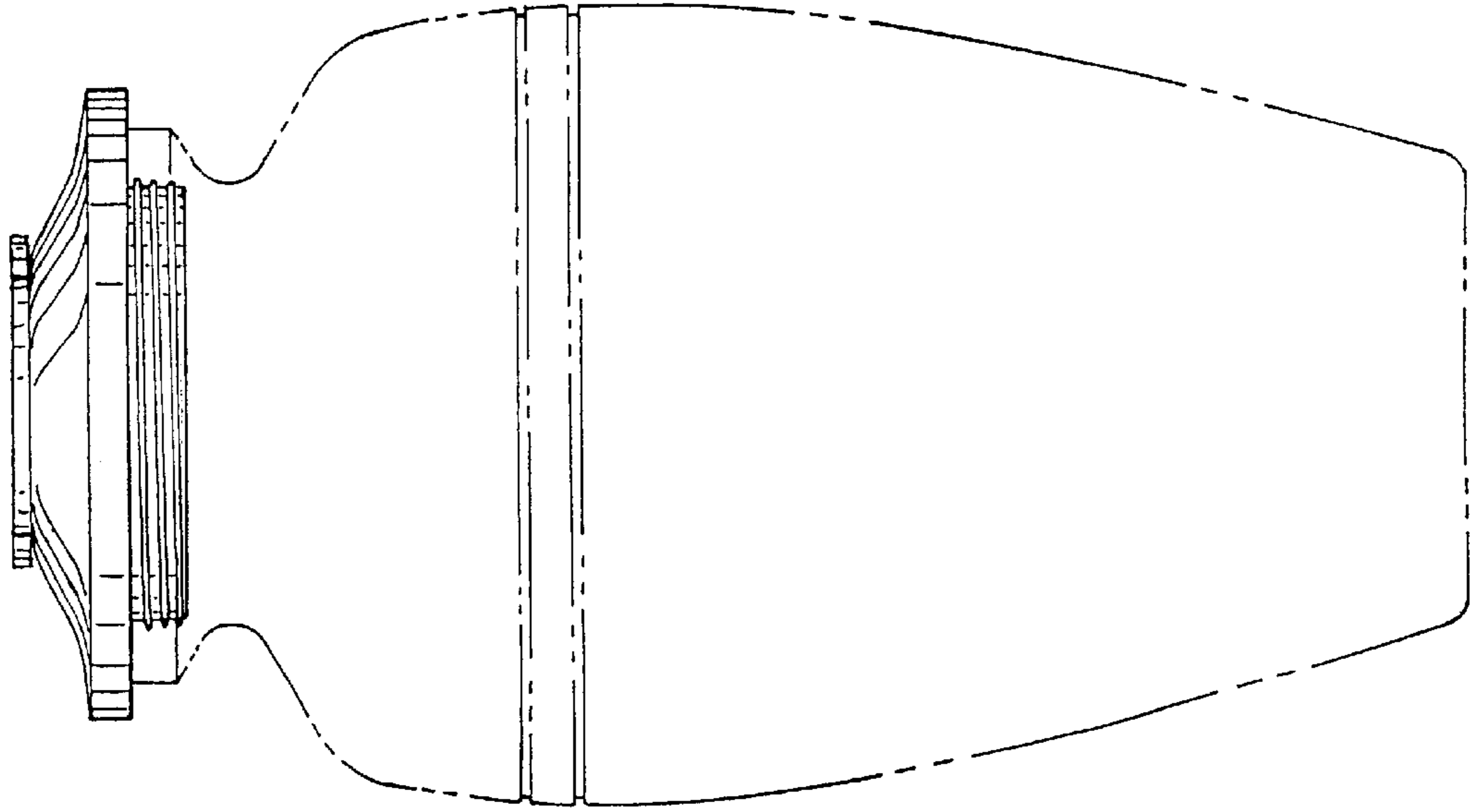


FIG.1

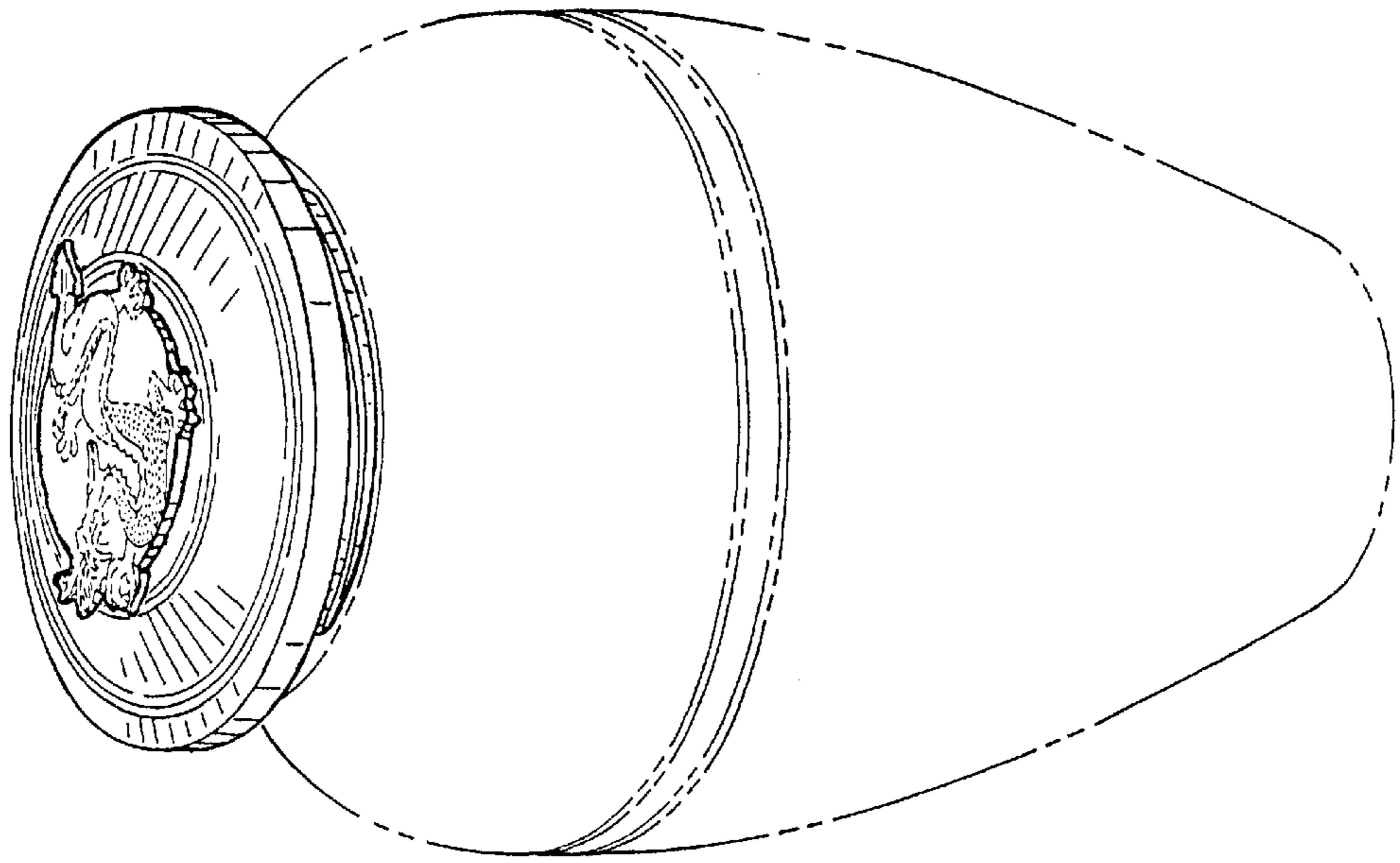


FIG.3

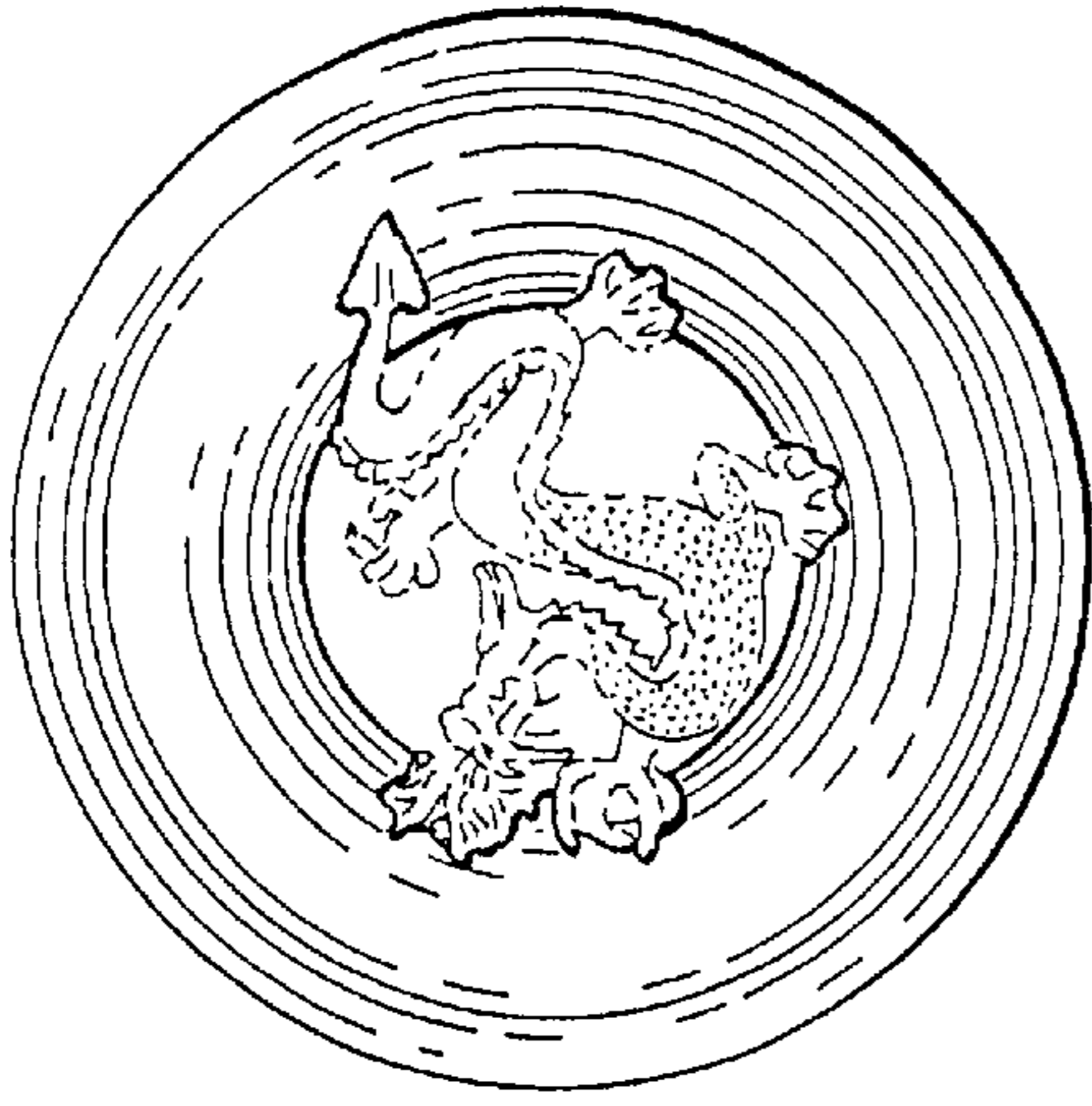


FIG.4

