



US00D454654S

(12) **United States Design Patent**
De'Armond et al.

(10) **Patent No.:** **US D454,654 S**
(45) **Date of Patent:** **** Mar. 19, 2002**

(54) **COMBINATION LIGHTING FIXTURE
BACKPLATE AND LAMP SUPPORT ARMS**

(75) Inventors: **Robert De'Armond**, Temecula;
Rolando Hidalgo, Orange, both of CA
(US)

(73) Assignee: **Minka Lighting, Inc.**, Corona, CA
(US)

(**) Term: **14 Years**

(21) Appl. No.: **29/141,714**

(22) Filed: **May 10, 2001**

(51) **LOC (7) Cl.** **26-99**

(52) **U.S. Cl.** **D26/142; D26/87; D26/155**

(58) **Field of Search** **D26/72-74, 81-87,**
D26/92, 142, 155, 138; 362/147, 432, 363,
367, 368

(56) **References Cited**

U.S. PATENT DOCUMENTS

RE2,678 E	7/1867	Williams et al.	
D36,029 S	8/1902	Haas	
D41,743 S	9/1911	Jones	
D50,160 S	1/1917	Barrows et al.	
D51,326 S	10/1917	Adam	
D57,287 S	* 3/1921	Van Veen	
D60,005 S	12/1921	Adam	
D63,615 S	12/1923	Crowell	
D63,985 S	2/1924	Walker	
D64,089 S	* 2/1924	Wangersheim D26/80
D64,884 S	6/1924	Bakula	
D64,986 S	6/1924	Klein	
D65,085 S	7/1924	Walker	
D65,532 S	9/1924	Klein	
D66,473 S	1/1925	Crowell	
D67,136 S	4/1925	Crowell	
D67,560 S	6/1925	Walker	

(List continued on next page.)

OTHER PUBLICATIONS

Minka Lighting, Inc.; *The Great Outdoors by Minka-Lavery* Two Thousand; Jun. 21, 2001; pp. 10, 11, 22, 23; U.S.A. Environmental Lighting for Architecture, Inc.; *ELA Lighting Outdoor Products*; pp. 18, 19; U.S.A. U.S. application No. 29/141,715, filed May 10, 2001, De'Armond et al. U.S. application No. 29/141,735, filed May 10, 2001, De'Armond et al.

Primary Examiner—Alan P. Douglas

Assistant Examiner—Clare E. Heflin

(74) *Attorney, Agent, or Firm*—Jenkins & Gilchrist, P.C.

(57) **CLAIM**

The ornamental design for the combination lighting fixture backplate and lamp support arms, as shown and described.

DESCRIPTION

FIG. 1 is a side elevation view of the combination lighting fixture backplate and lamp support arms in accordance with our design, illustrating the environment for the backplate and lamp support arms;

FIG. 2 is a front elevation view of the backplate taken along Section 2—2 of FIG. 1.

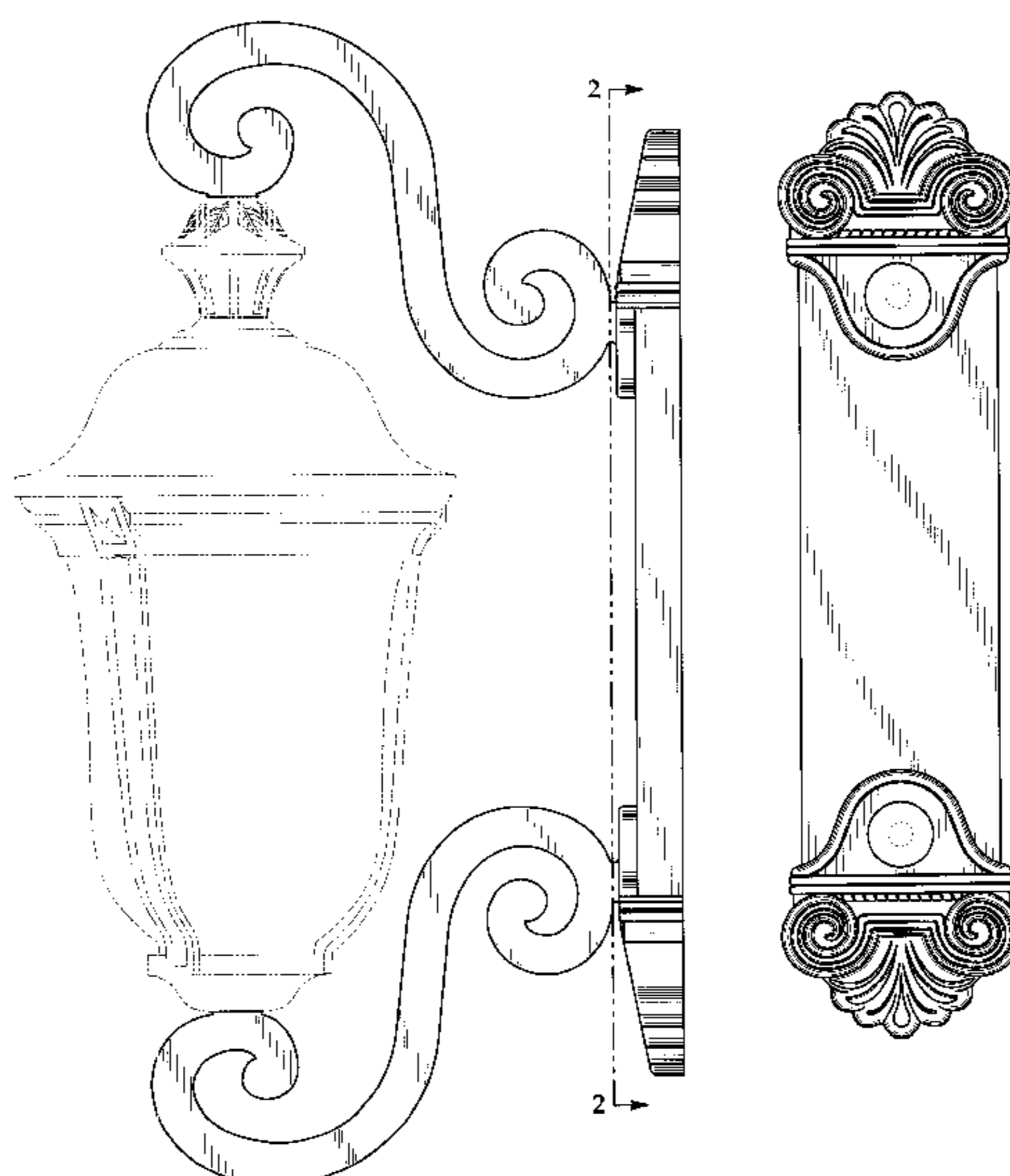
FIG. 3 is a front elevation view of the combination lighting fixture backplate and lamp support arms in accordance with our design;

FIG. 4 is a side elevation view of the combination lighting fixture backplate and lamp support arms in accordance with our design; and,

FIG. 5 is a top plan view of the combination lighting fixture backplate and lamp support arms in accordance with our design.

The right and left elevation views are symmetrical. The top and bottom plan views are symmetrical. The rear elevation view is unornamented and follows the contours of FIGS. 2, 3 and 4.

1 Claim, 2 Drawing Sheets



US D454,654 S

Page 2

U.S. PATENT DOCUMENTS

D68,090 S	9/1925	Czapeh	D277,933 S	3/1985	Valli	D8/350
D69,101 S	12/1925	Walker	D314,834 S	2/1991	Rottner	D26/87
D69,865 S	4/1926	Whittle	D333,531 S	2/1993	Rottner	D26/87
D70,108 S	5/1926	Gottlicher	D353,906 S	12/1994	Hsu	D26/87
D70,352 S	6/1926	Woller	D371,622 S	7/1996	Hsu	D26/87
D72,714 S	5/1927	Lipschutz	D403,464 S	12/1998	Fraile	D26/142
D72,842 S	6/1927	Klein	D426,672 S	6/2000	De'Armond	D26/155
D73,418 S	9/1927	Yokel	D426,914 S	6/2000	Jaspers-Fayer et al.	D26/155
D82,539 S	11/1930	Bohl	D427,721 S	7/2000	De'Armond	D26/155
D84,660 S	7/1931	Shulman	D428,187 S	7/2000	De'Armond	D26/142
D95,974 S	6/1935	McCann	D428,662 S	7/2000	Jaspers-Fayer et al.	D26/67
D159,423 S	7/1950	Kushner	D434,522 S	11/2000	De'Armond et al.	D26/155
D173,943 S	2/1955	Gamerdinger	D434,873 S	12/2000	Jaspers-Fayer et al.	D26/155
D195,350 S	6/1963	Simkins	D436,221 S	1/2001	Hidalgo	D26/152
D199,144 S	9/1964	Daum	D437,657 S	2/2001	De'Armond et al.	26/142
D213,879 S	4/1969	Algoren	D439,362 S	3/2001	Berry	D26/87
D237,044 S	10/1975	Mori et al.				

* cited by examiner

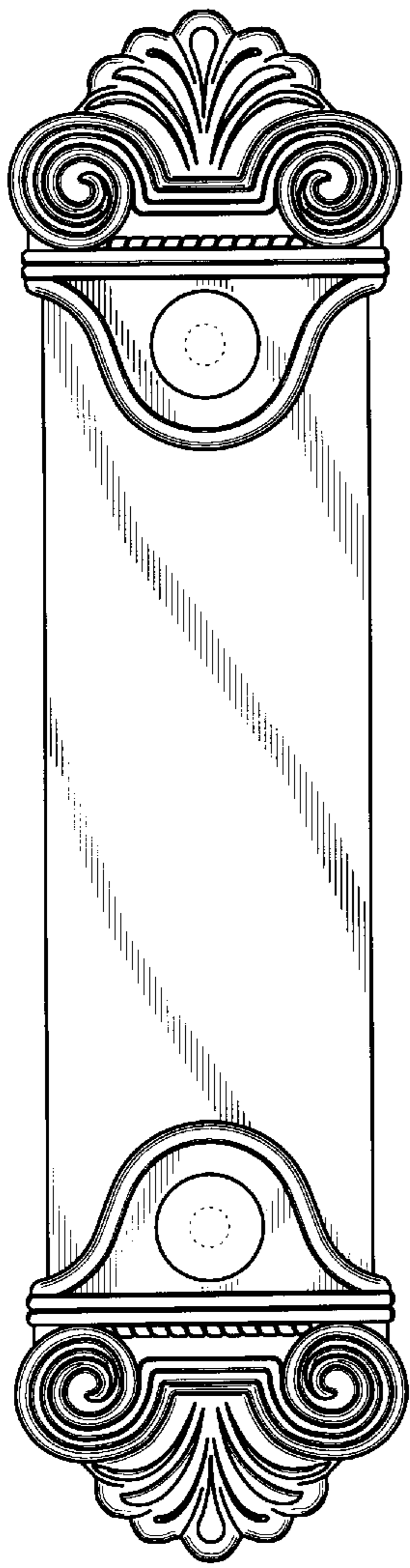


Fig.2

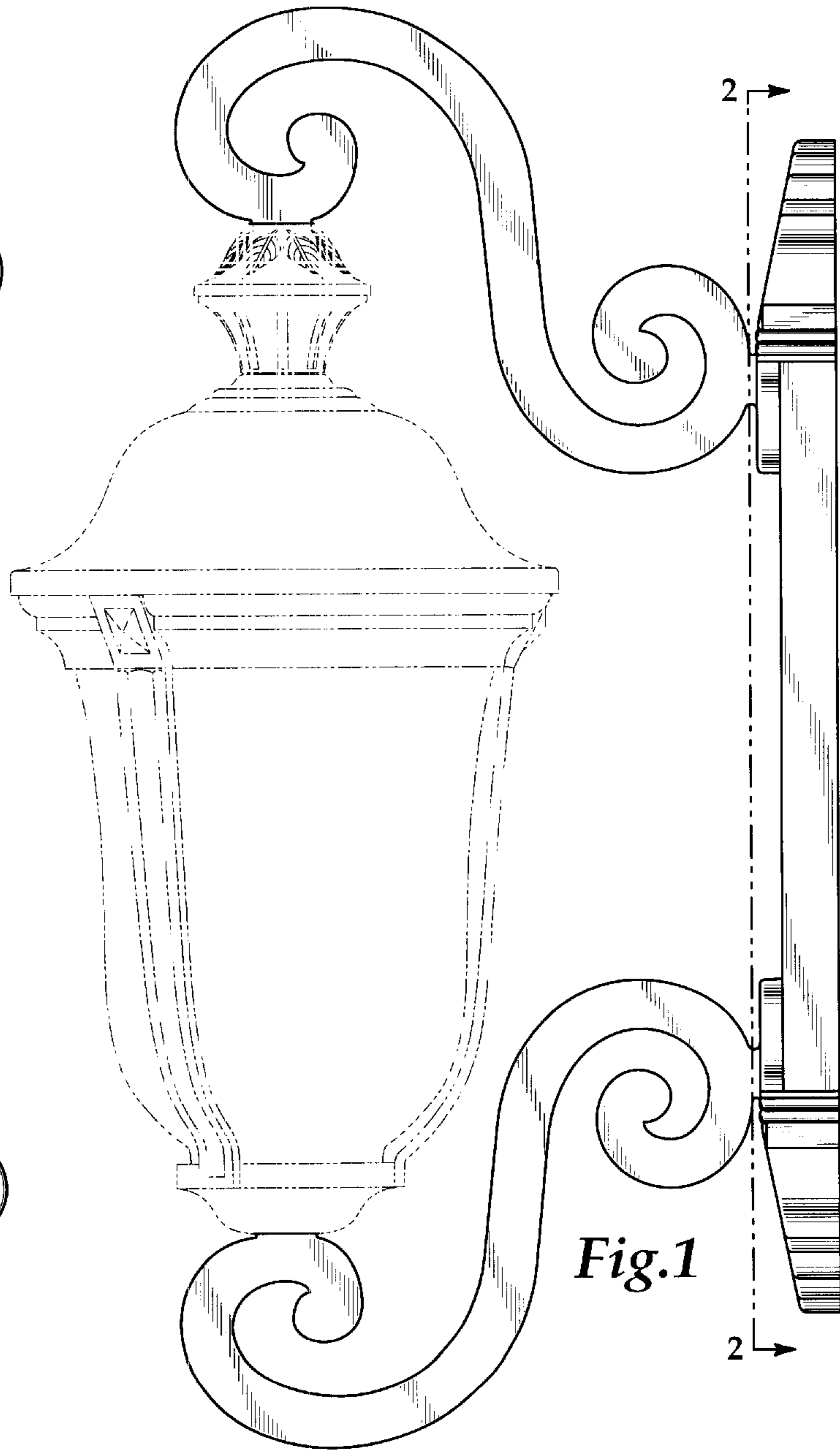


Fig.1

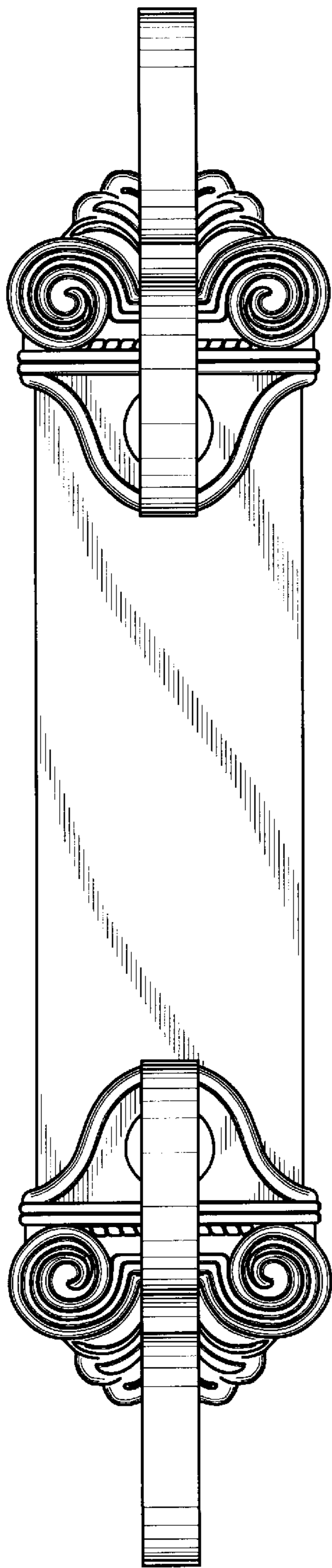


Fig.3

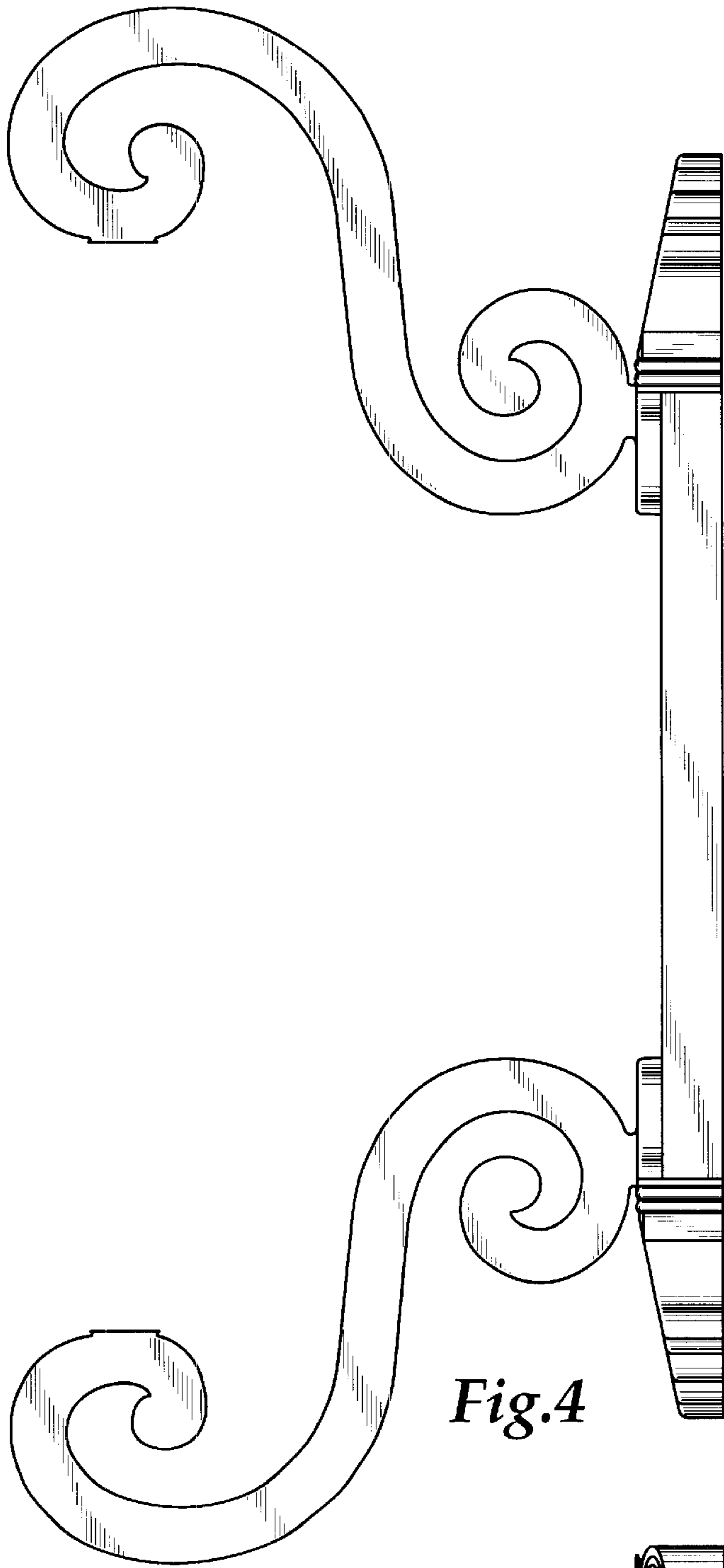


Fig.4

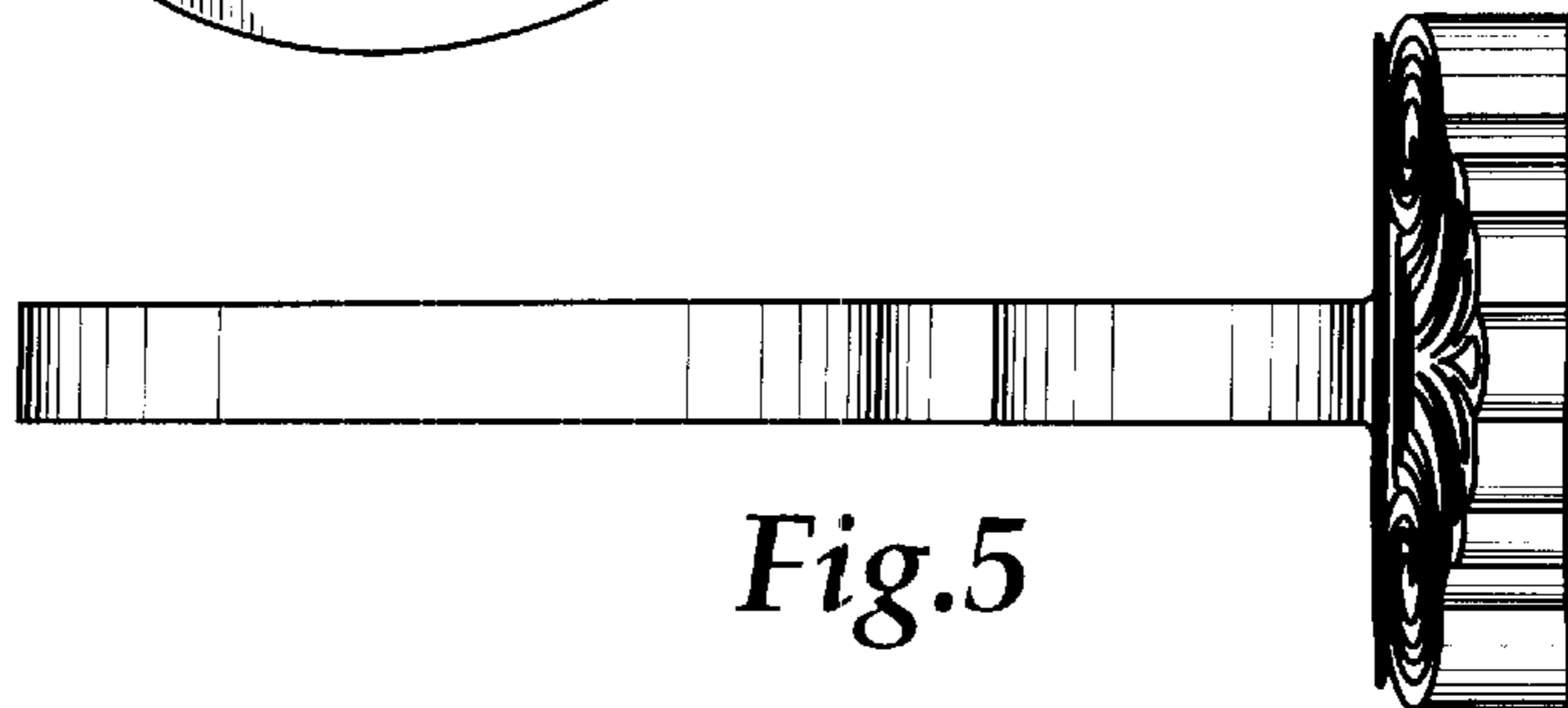


Fig.5