



US00D454652S

(12) **United States Design Patent**
Crelin

(10) **Patent No.:** **US D454,652 S**

(45) **Date of Patent:** **** Mar. 19, 2002**

(54) **POLYGONAL LIGHT FIXTURE AND MOUNTING SYSTEM**

(75) Inventor: **Robert Crelin**, Branford, CT (US)

(73) Assignee: **Lighting By Branford LLC**, Guilford, CT (US)

(**) Term: **14 Years**

(21) Appl. No.: **29/137,740**

(22) Filed: **Feb. 28, 2001**

(51) **LOC (7) Cl.** **26-05**

(52) **U.S. Cl.** **D26/85**

(58) **Field of Search** D26/87, 92, 152;
362/147, 432

(56) **References Cited**

U.S. PATENT DOCUMENTS

D439,362 S * 3/2001 Berry D26/87

OTHER PUBLICATIONS

Bright lighting catalog, Jan. 1995, p. 69, wall lamp, #7001H.*

Home Lighting and Accessories, , Mar. 1998, p. 64, wall lamp Model # 2361-7.*

Sea Gull Lighting catalog, 1999, p. 213, wall lamp, top right.*

* cited by examiner

Primary Examiner—Susan J. Lucas

(74) *Attorney, Agent, or Firm*—St. Onge Steward Johnston & Reens LLC

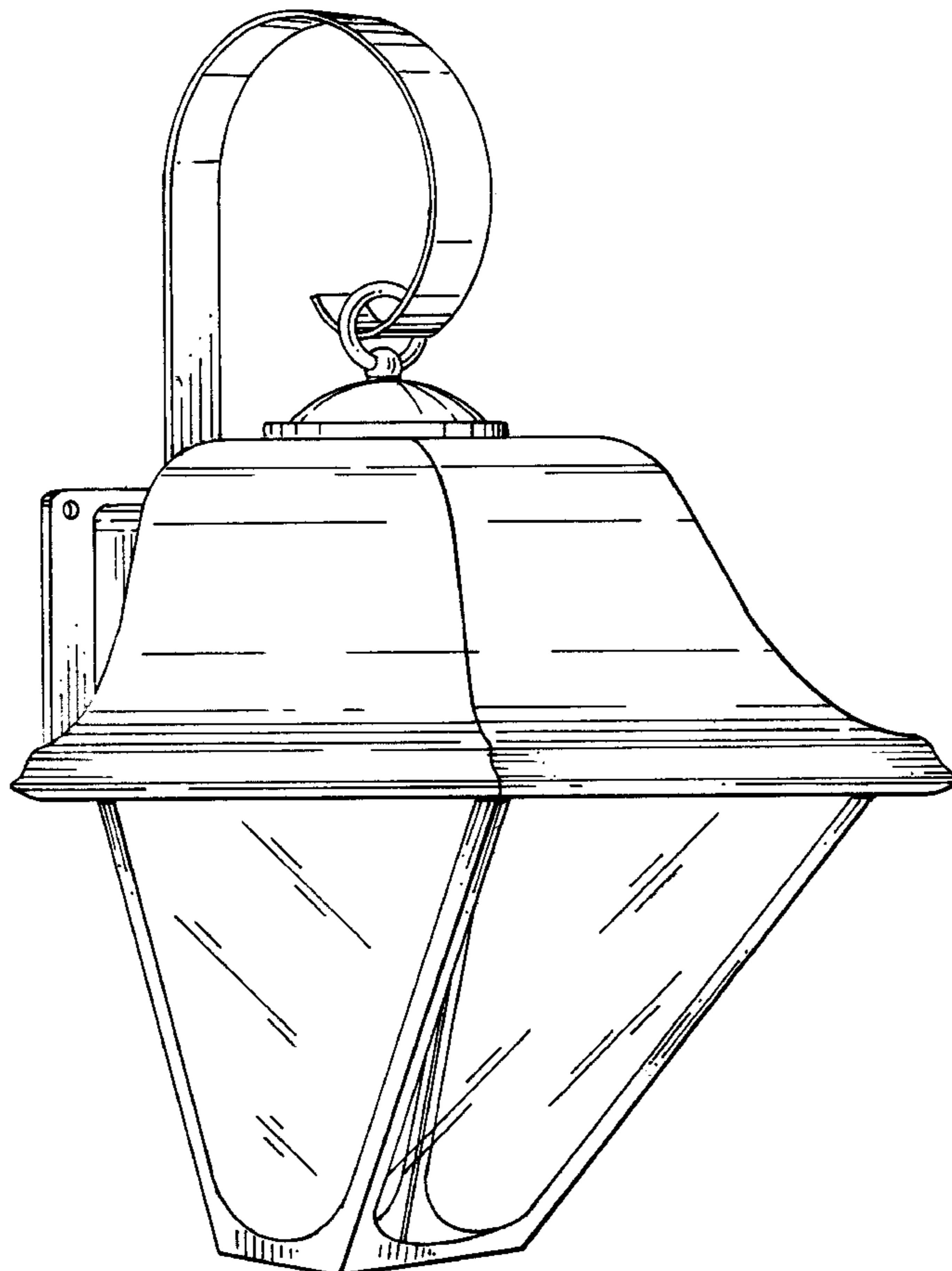
(57) **CLAIM**

I claim the ornamental design a for polygonal light fixture and mounting system, as shown and described in the drawings.

DESCRIPTION

FIG. 1 is an isometric view of a polygonal light fixture and mounting system in accordance with the new design; FIG. 2 is a front view of the polygonal light fixture and mounting system shown in FIG. 1; FIG. 3 is a left side view of the polygonal light fixture and mounting system shown in FIGS. 1-2; FIG. 4 is a top view of the polygonal light fixture and mounting system shown in FIGS. 1-3; FIG. 5 is a bottom view of the polygonal light fixture and mounting system shown in FIGS. 1-4; and, FIG. 6 is a rear view of the polygonal light fixture and mounting system shown in FIGS. 1-5.

1 Claim, 5 Drawing Sheets



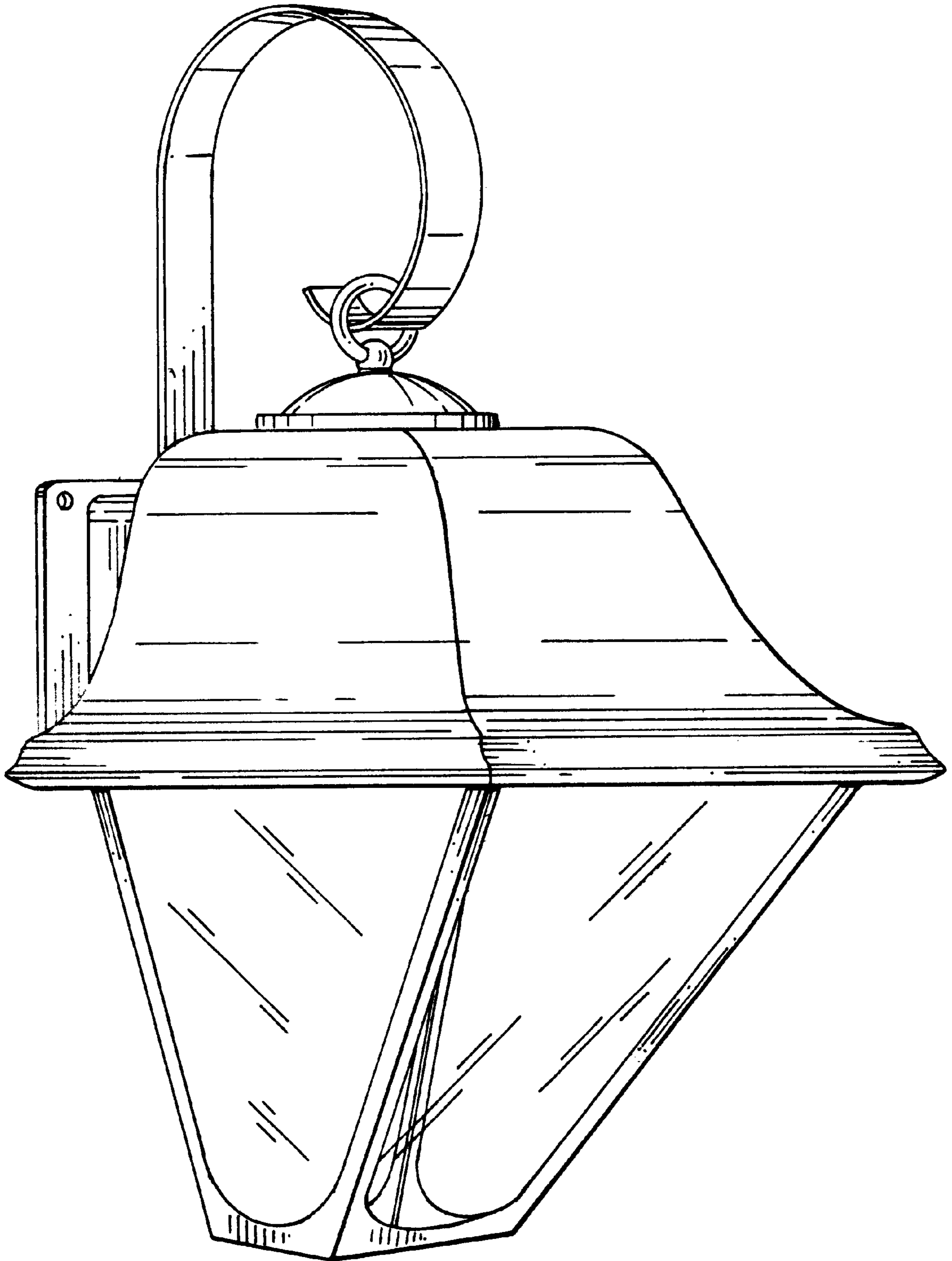


FIG. 1

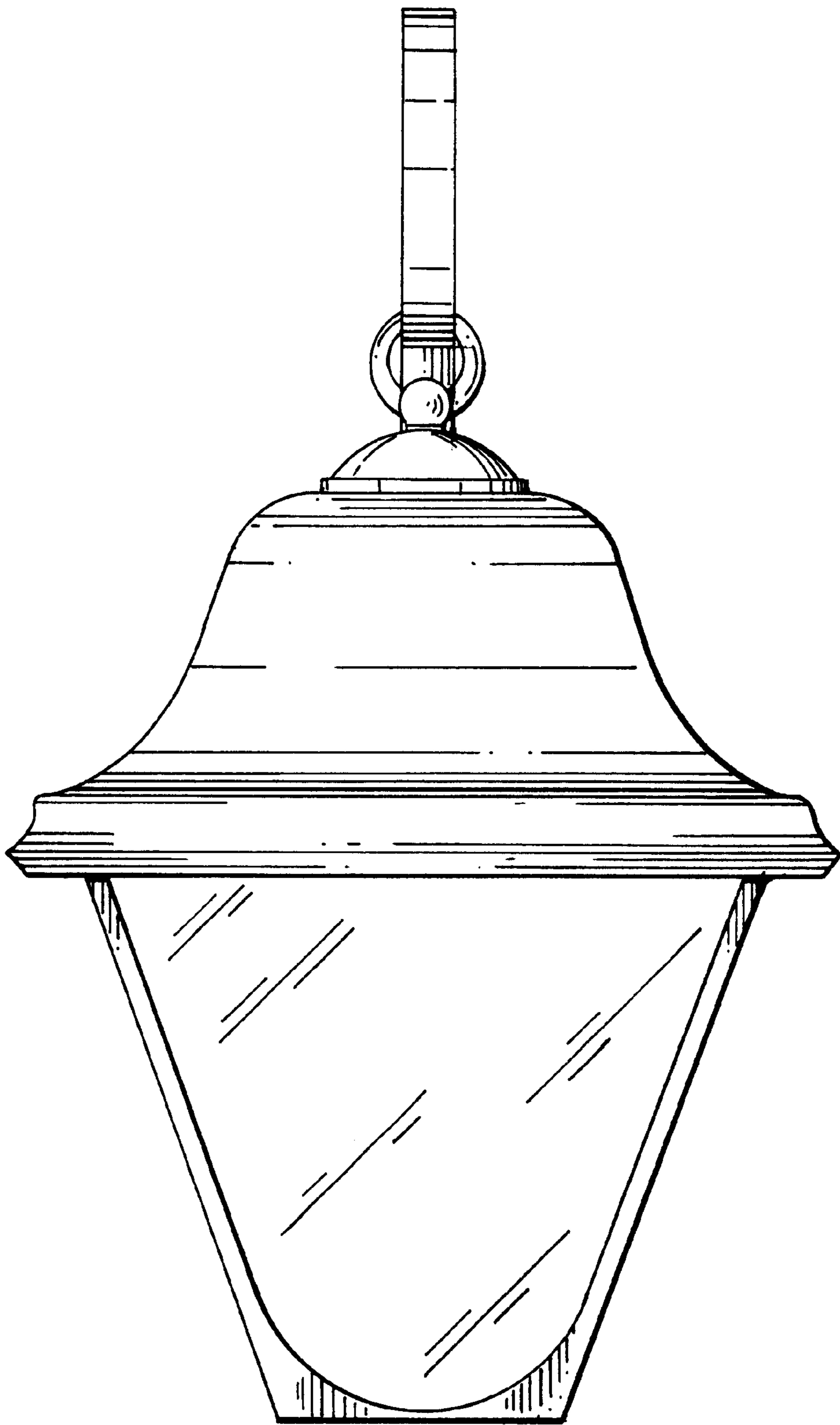


FIG. 2

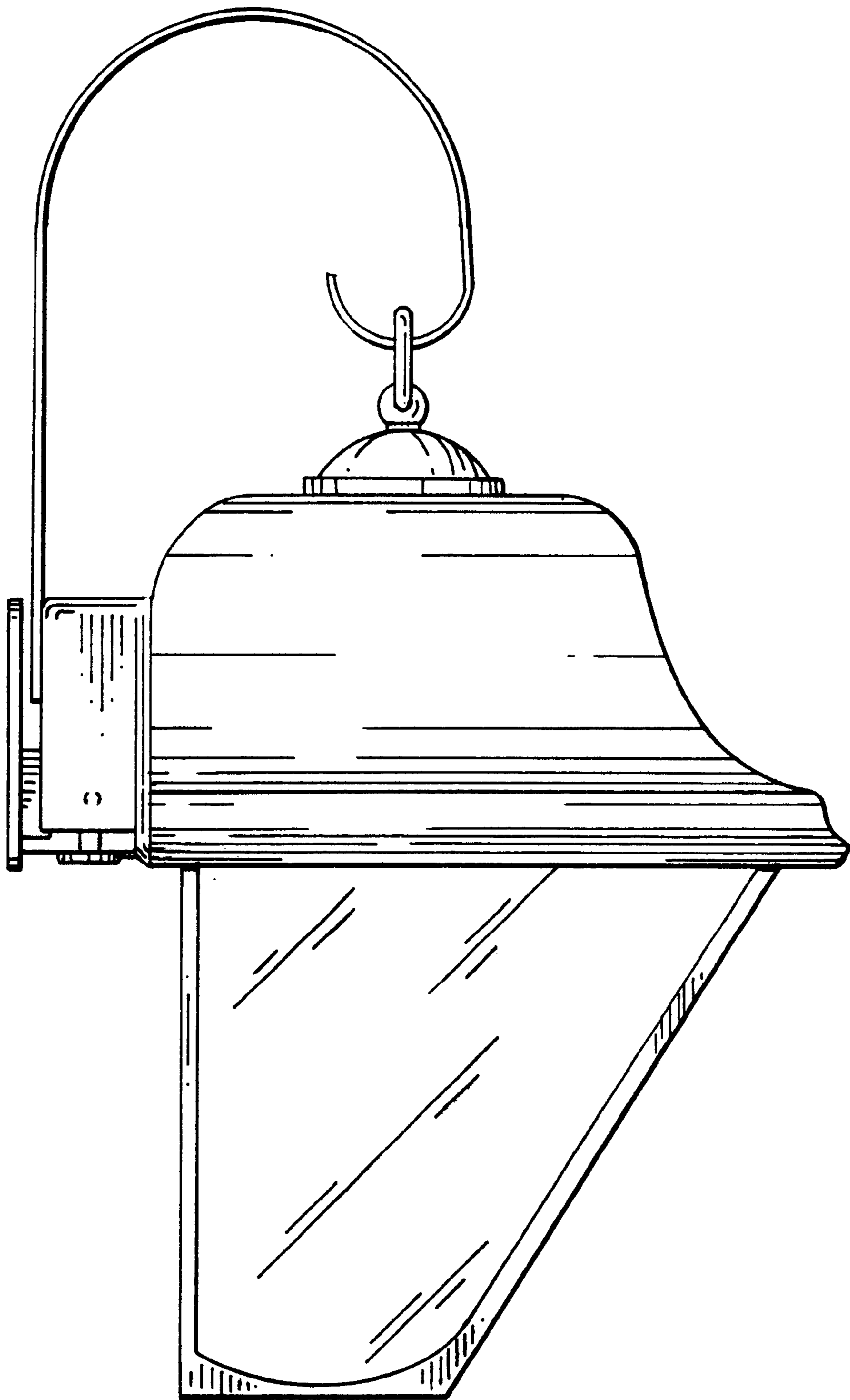


FIG. 3

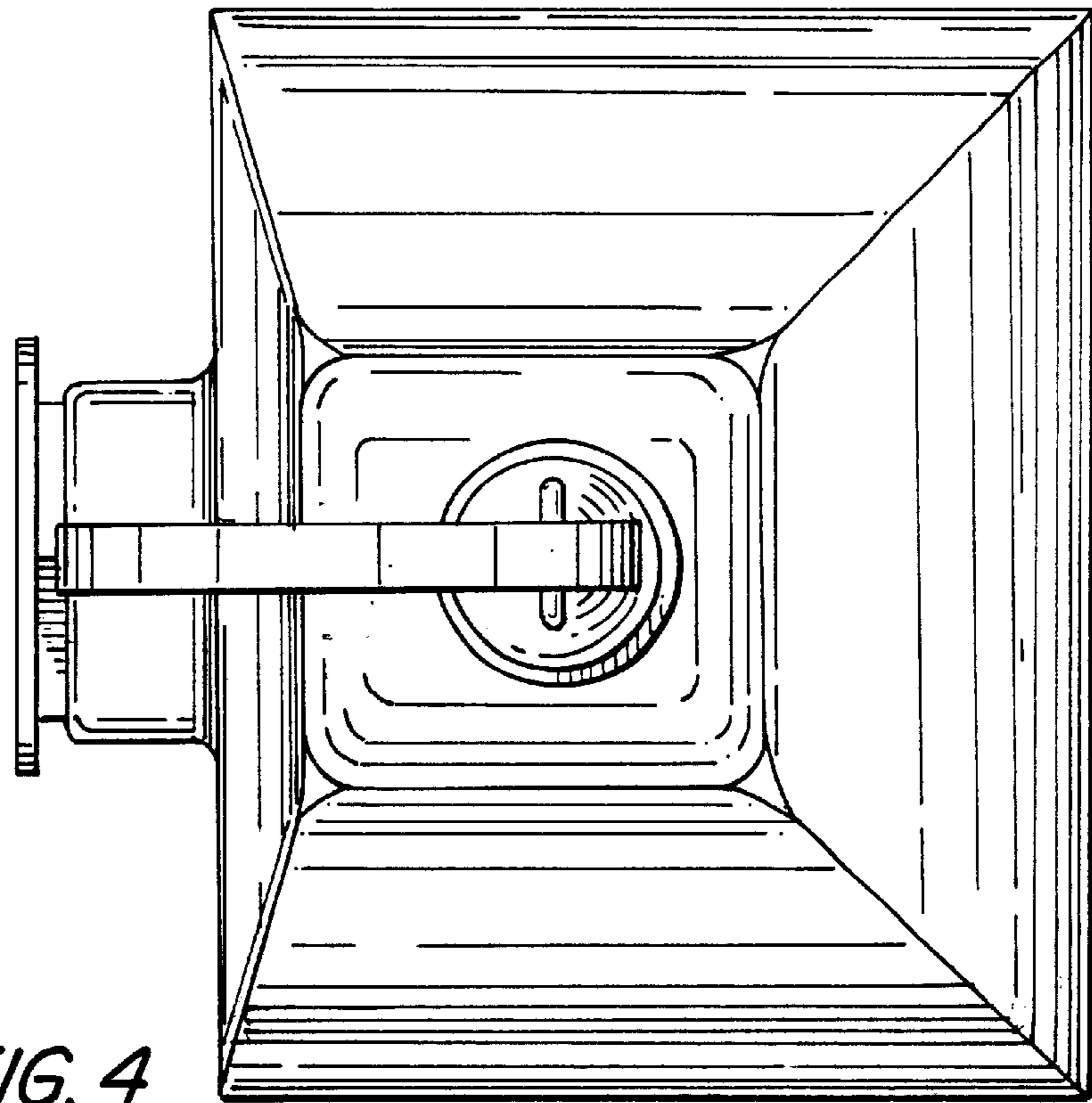


FIG. 4

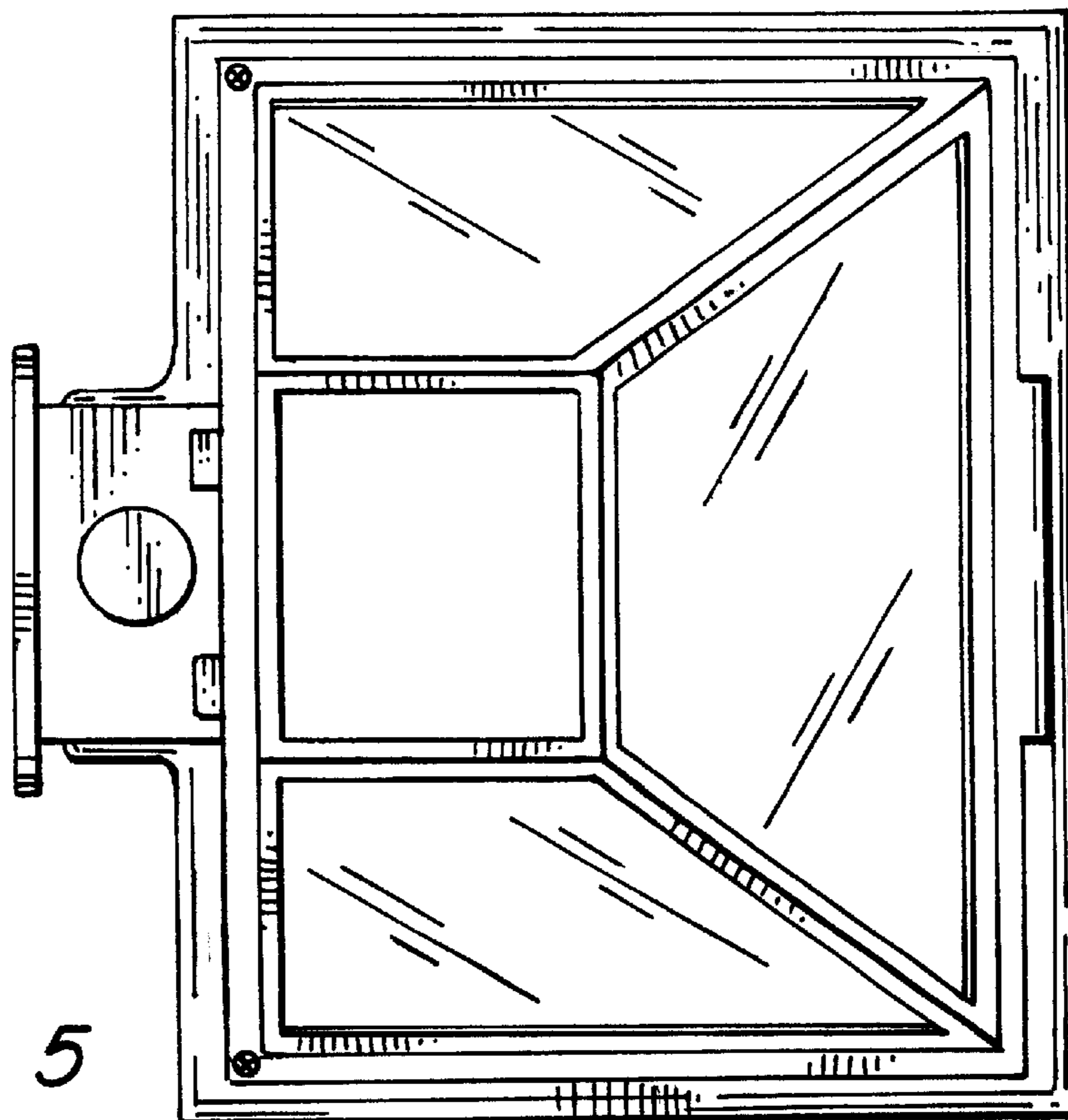


FIG. 5

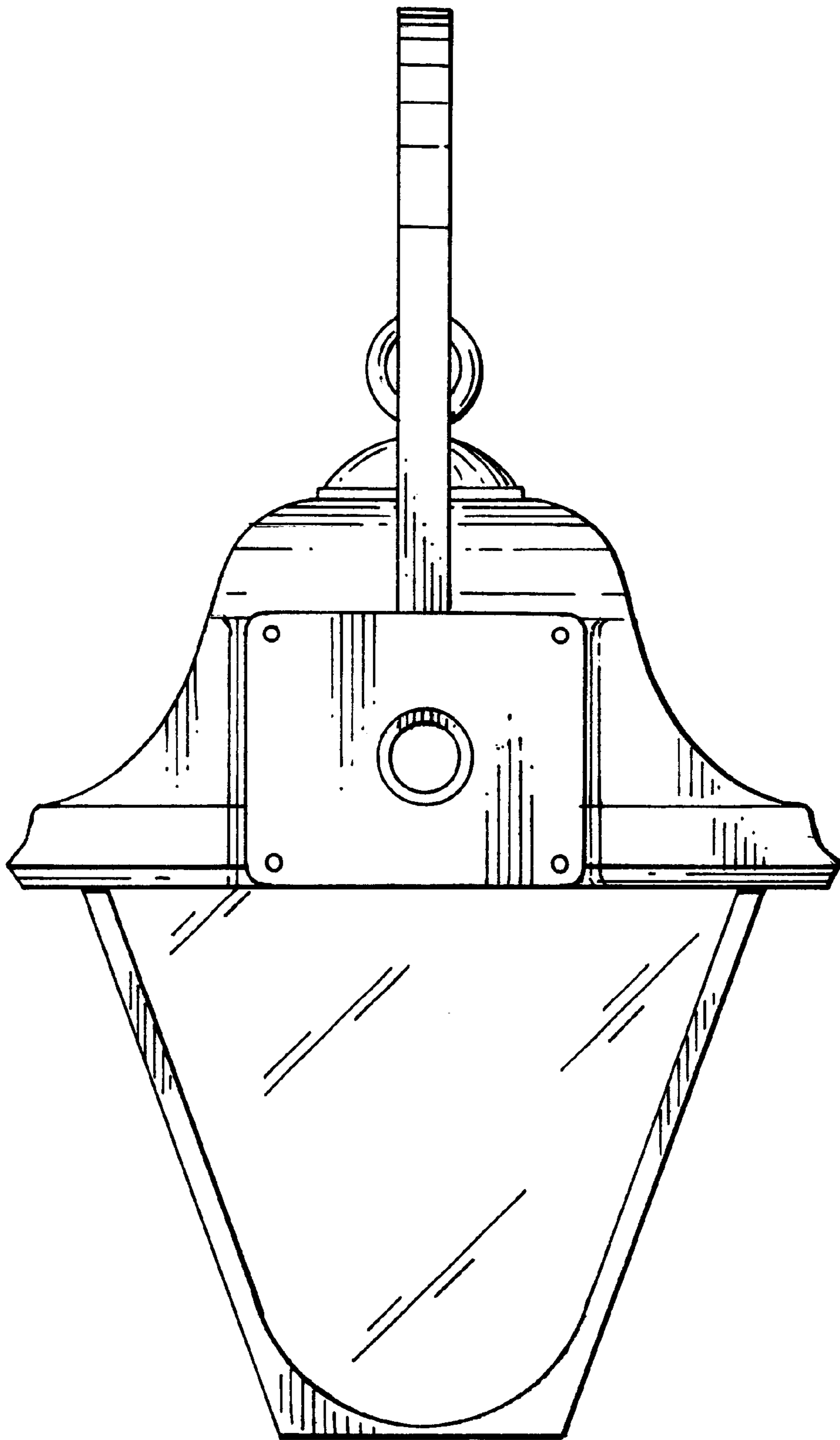


FIG. 6