



US00D454645S

(12) **United States Design Patent**
Phifer

(10) **Patent No.:** **US D454,645 S**

(45) **Date of Patent:** **** Mar. 19, 2002**

(54) **BUILDING**

(75) **Inventor:** **Thomas M. Phifer**, New York, NY
(US)

(73) **Assignee:** **Steelcase Development Inc.**, Grand
Rapids, MI (US)

(**) **Term:** **14 Years**

(21) **Appl. No.:** **29/120,583**

(22) **Filed:** **Mar. 22, 2000**

(51) **LOC (7) Cl.** **25-03**

(52) **U.S. Cl.** **D25/4; D25/56**

(58) **Field of Search** **D25/18, 4, 56;**
135/87, 97, 906, 908

(56) **References Cited**

U.S. PATENT DOCUMENTS

D237,791 S * 11/1975 Robertson et al. D25/4
D376,854 S * 12/1996 DiPaolo et al. D25/18

OTHER PUBLICATIONS

Zumtobel Staff—The Light, “From Shadow to Sparkle: The
Art of Architectural Illumination”; p. 95 and other selected
pages (four sheets); bearing the designation “Art. Nr. 04 246
808–UK 9.98 © Zumtobel Staff.”*

* cited by examiner

Primary Examiner—Doris Clark

(74) *Attorney, Agent, or Firm*—Foley & Lardner

(57) **CLAIM**

I claim the ornamental design for a building, substantially as
shown and described.

DESCRIPTION

FIG. 1 is a perspective view of the building according to a
preferred embodiment.

FIG. 2 is a front elevation view of the building.

FIG. 3 is a fragmentary front elevation view of the building
as shown in FIG. 2.

FIG. 4 is a fragmentary front elevation view of the building
as shown in FIG. 2.

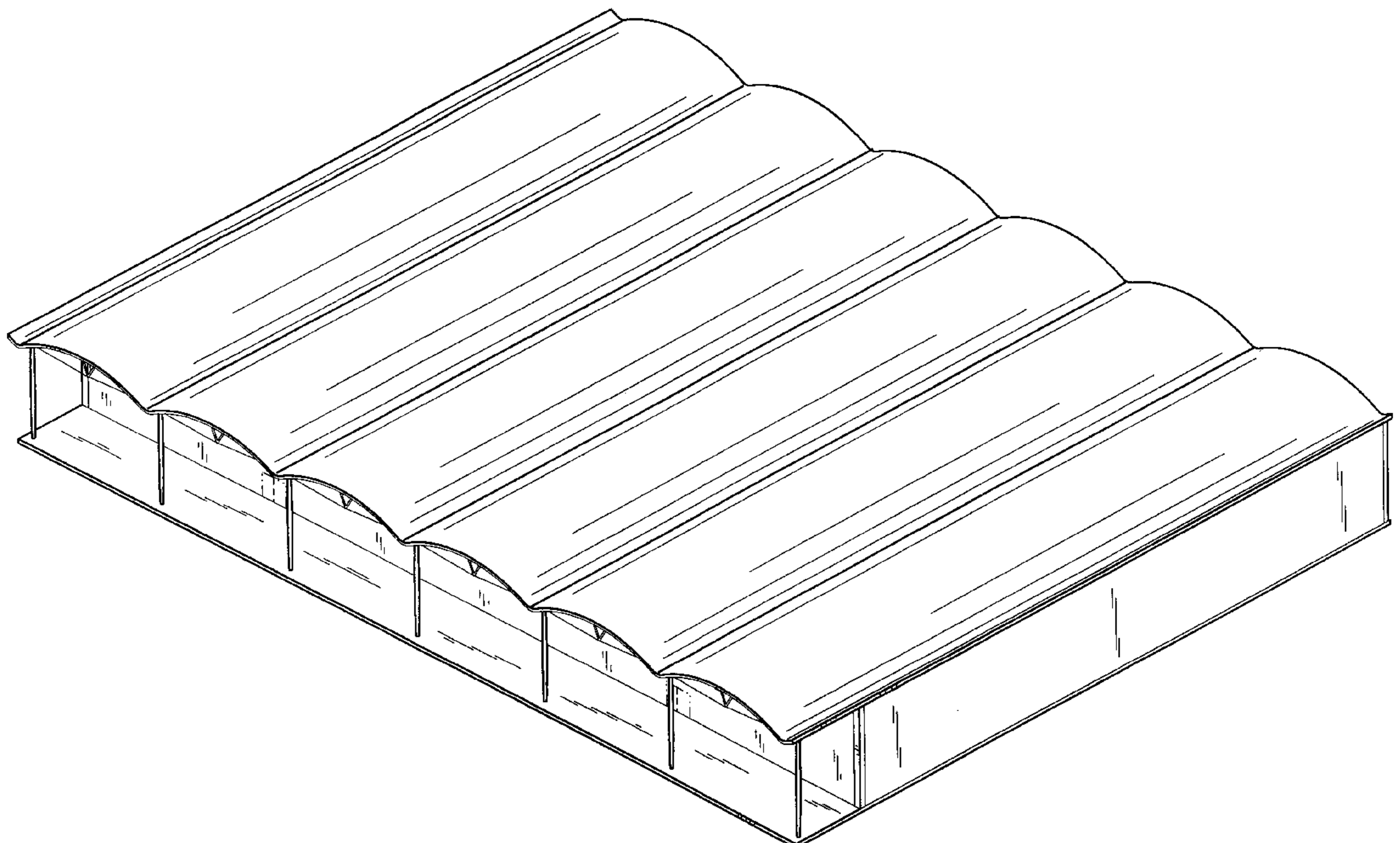
FIG. 5 is a rear elevation view of the building.

FIG. 6 is a side elevation view of the building; and,

FIG. 7 is a top plan view of the building.

The broken line disclosure is for illustrative purposes only
and forms no part of the claimed design.

1 Claim, 4 Drawing Sheets



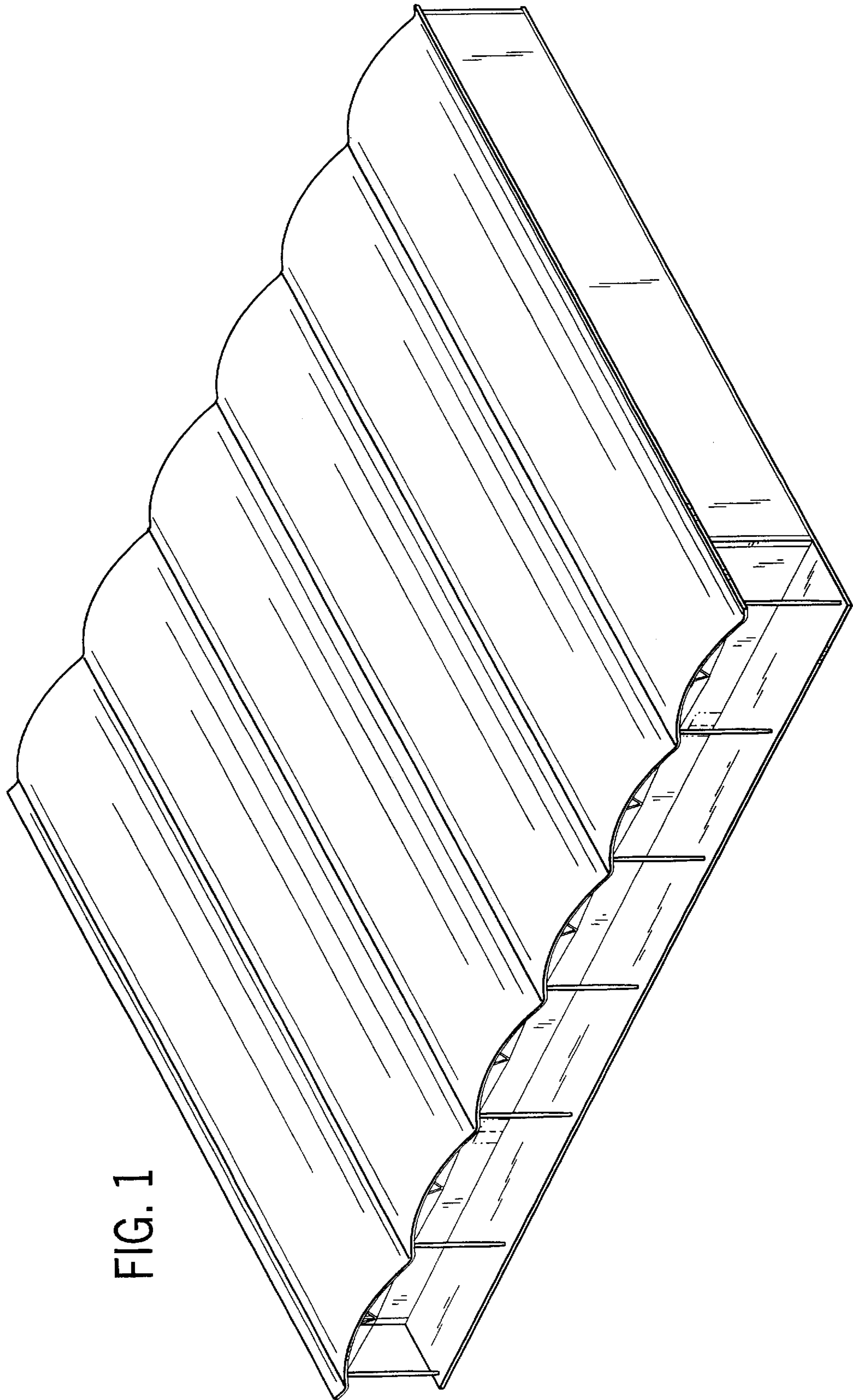


FIG. 1

FIG. 2

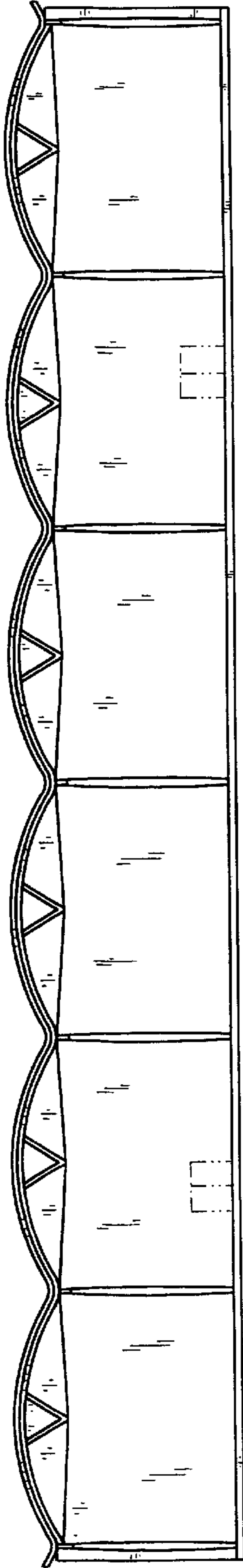


FIG. 5

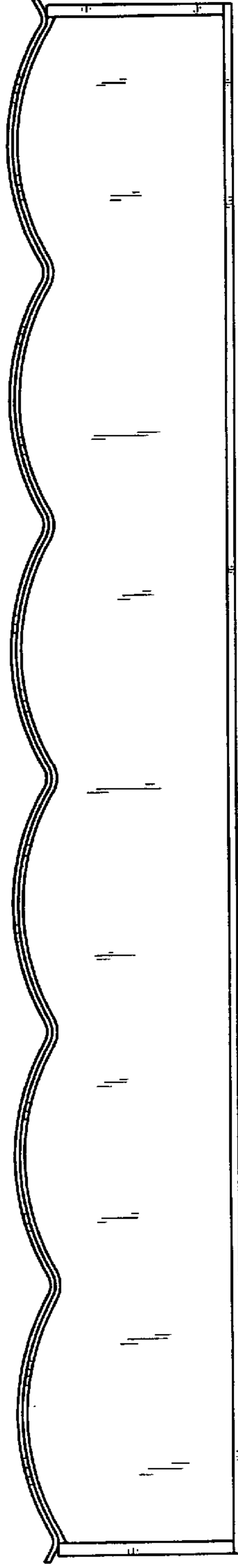
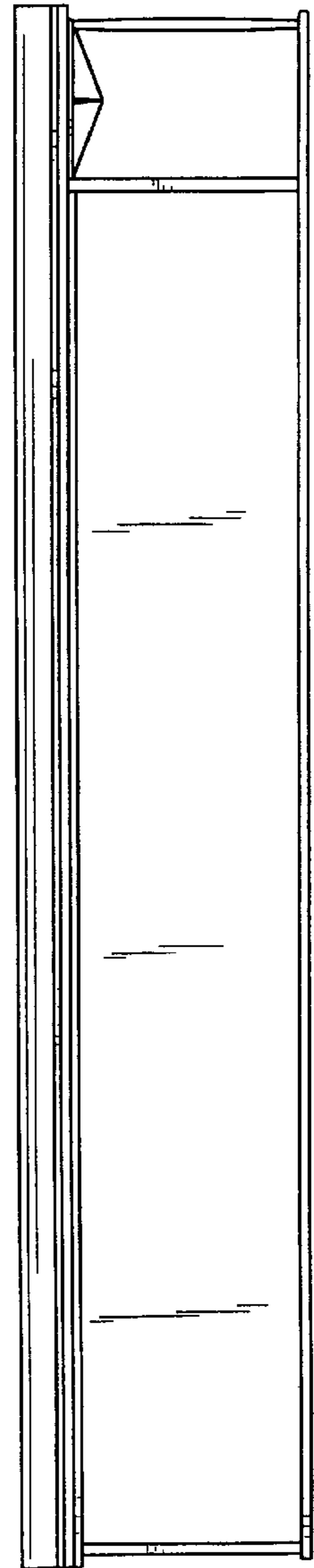


FIG. 6



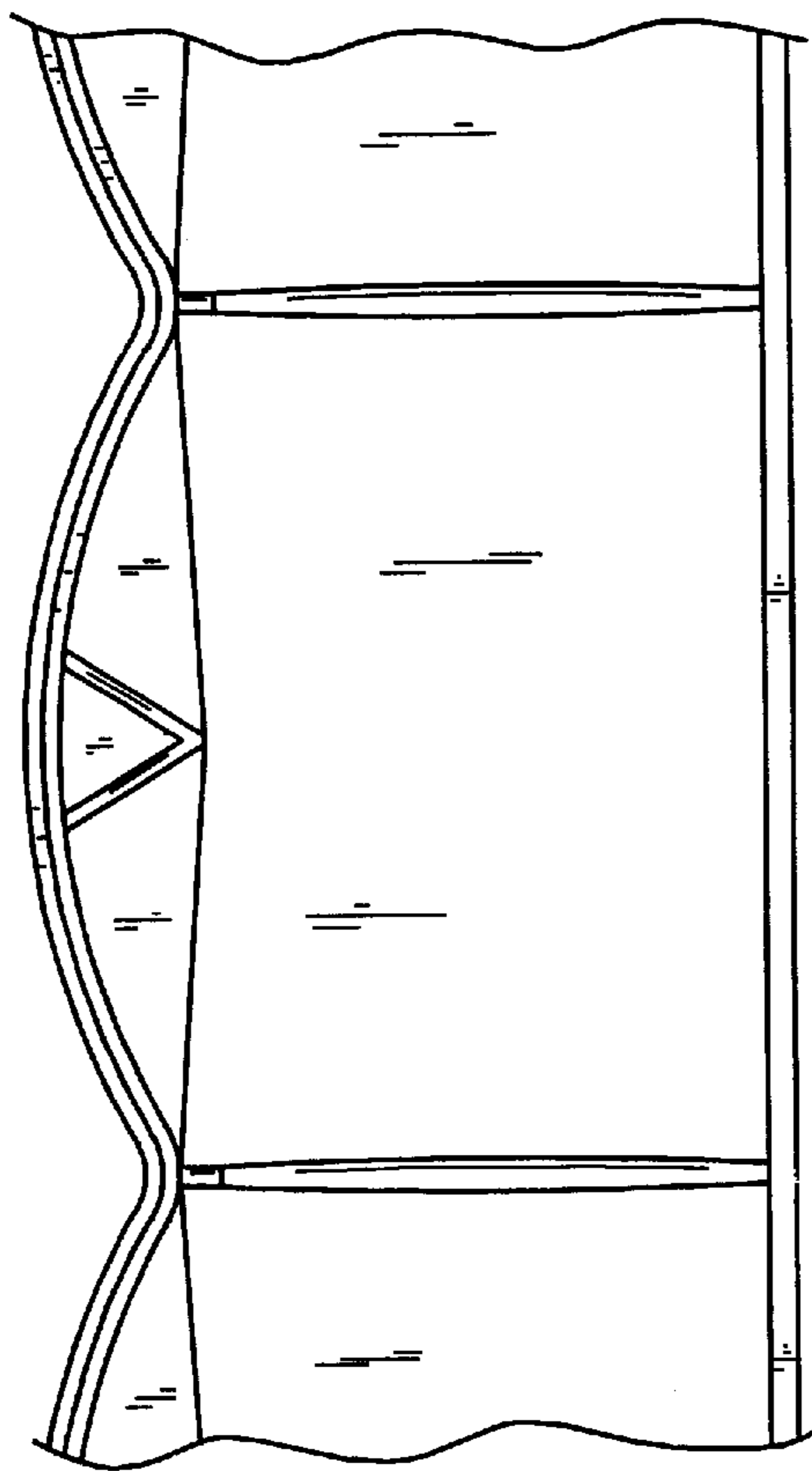


FIG. 3

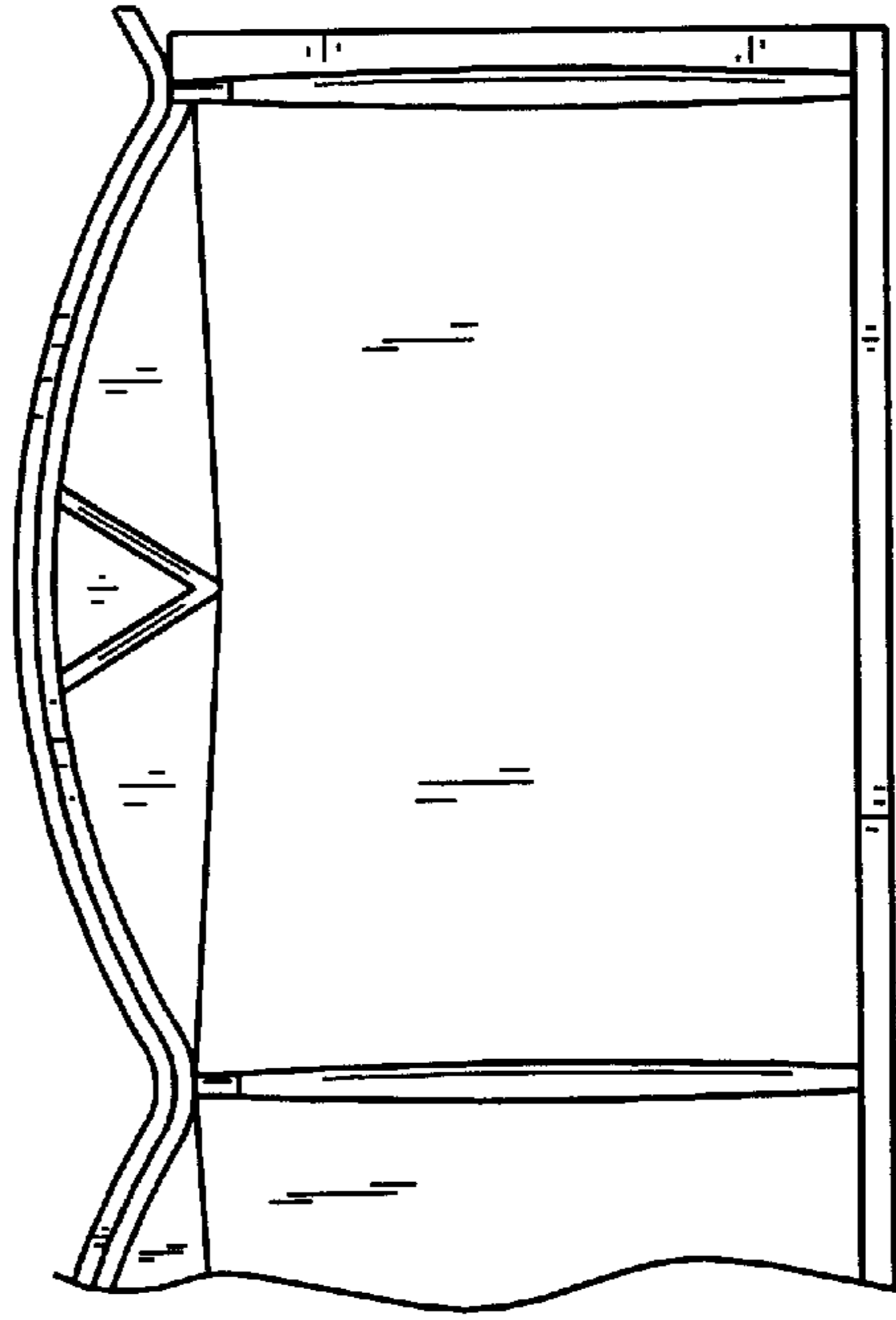


FIG. 4

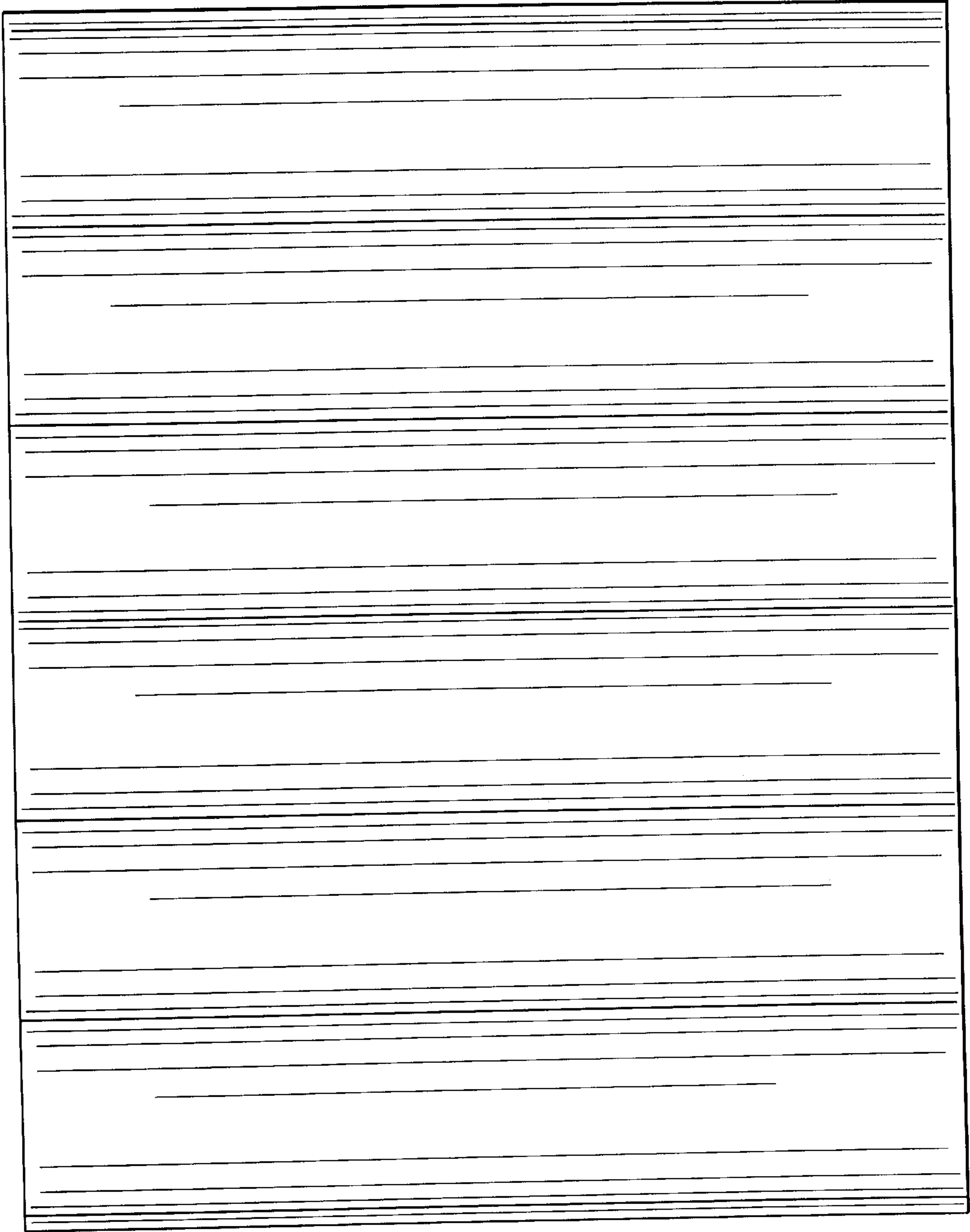


FIG. 7