



US00D454643S

(12) **United States Design Patent**
Gibson et al.

(10) **Patent No.:** **US D454,643 S**
(45) **Date of Patent:** **** Mar. 19, 2002**

(54) **HOT TUB**

(75) Inventors: **William A. Gibson; Robert S. Fuller,**
both of Grand Rapids, MI (US)

(73) Assignee: **Nordic Products, Inc.,** Grand Rapids,
MI (US)

(**) Term: **14 Years**

(21) Appl. No.: **29/143,827**

(22) Filed: **Jun. 20, 2001**

(51) **LOC (7) Cl.** **24-04**

(52) **U.S. Cl.** **D24/204**

(58) **Field of Search** D24/204, 205,
D24/201; 4/541.1, 541.2, 541.3, 541.4,
541.5, 541.6

(56) **References Cited**

U.S. PATENT DOCUMENTS

D301,060 S	*	5/1989	Reid et al.	D24/205
D302,037 S	*	7/1989	Giese et al.	D24/205
D405,185 S	*	2/1999	Larsen	D24/204
D405,186 S	*	2/1999	Larsen	D24/204
D446,309 S	*	8/2001	Bower	D24/204
D446,310 S	*	8/2001	Bower	D24/204

OTHER PUBLICATIONS

Brochure—Nordic Hot Tubs—Copyright Jun. 1999.

* cited by examiner

Primary Examiner—Stella Reid

(74) *Attorney, Agent, or Firm*—Dinnin & Dunn, P.C.

(57) **CLAIM**

The ornamental design for a hot tub, as shown and described.

DESCRIPTION

FIG. 1 is a perspective view of the design for a hot tub in accordance with the present invention;

FIG. 2 is a top view of the design for a hot tub as shown in FIG. 1;

FIG. 3 is a front elevation view of the design for a hot tub as shown in FIG. 1;

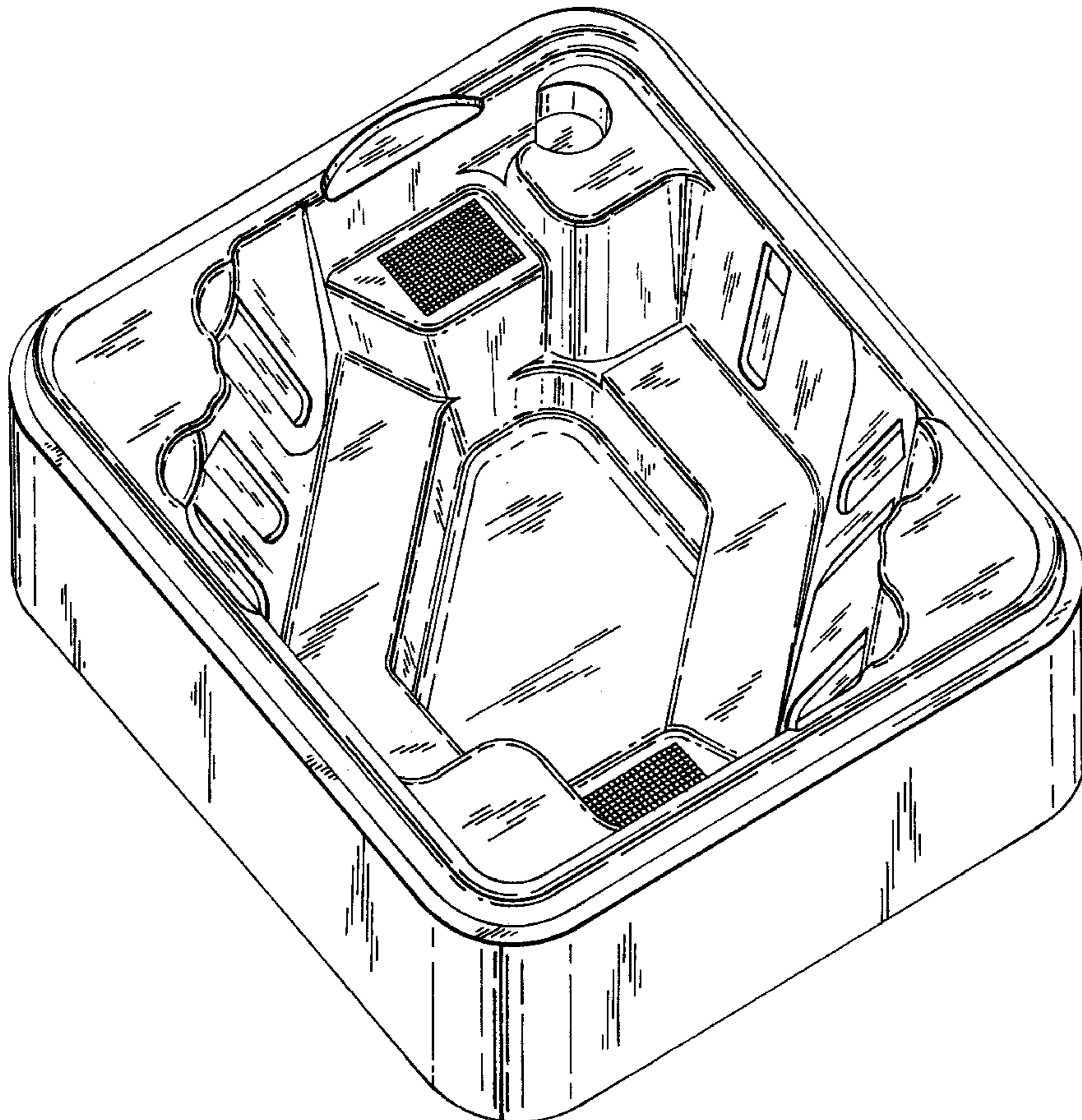
FIG. 4 is a side elevation view of the design for a hot tub as shown in FIG. 1;

FIG. 5 is a cross-sectional view of the design for a hot tub taken along line 5—5 of FIG. 2;

FIG. 6 is a cross-sectional view of the design for a hot tub taken along line 6—6 of FIG. 2; and,

FIG. 7 is a cross-sectional view of the design for a hot tub taken along line 7—7 of FIG. 2.

1 Claim, 3 Drawing Sheets



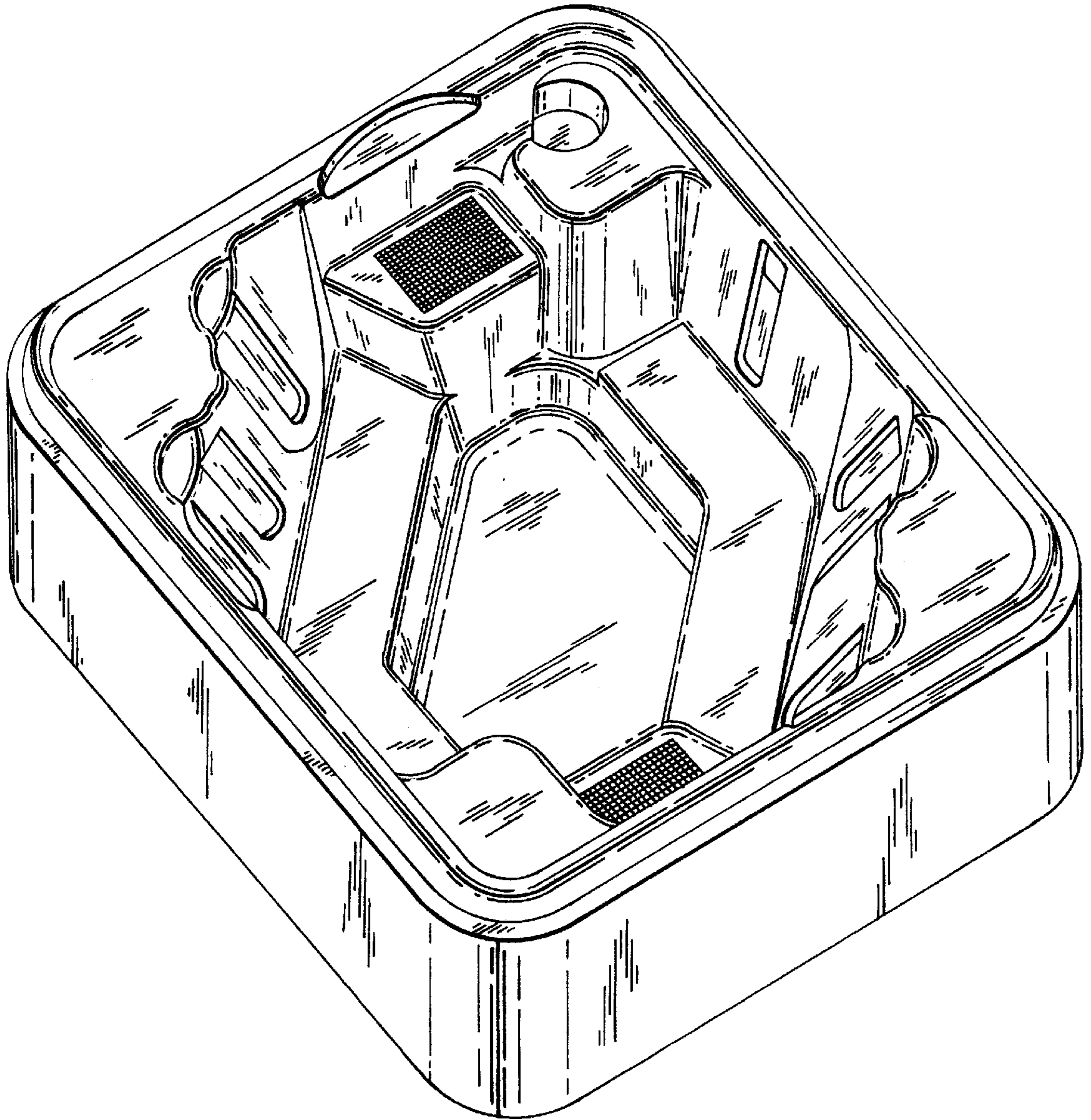


FIG. 1.

FIG. 2.

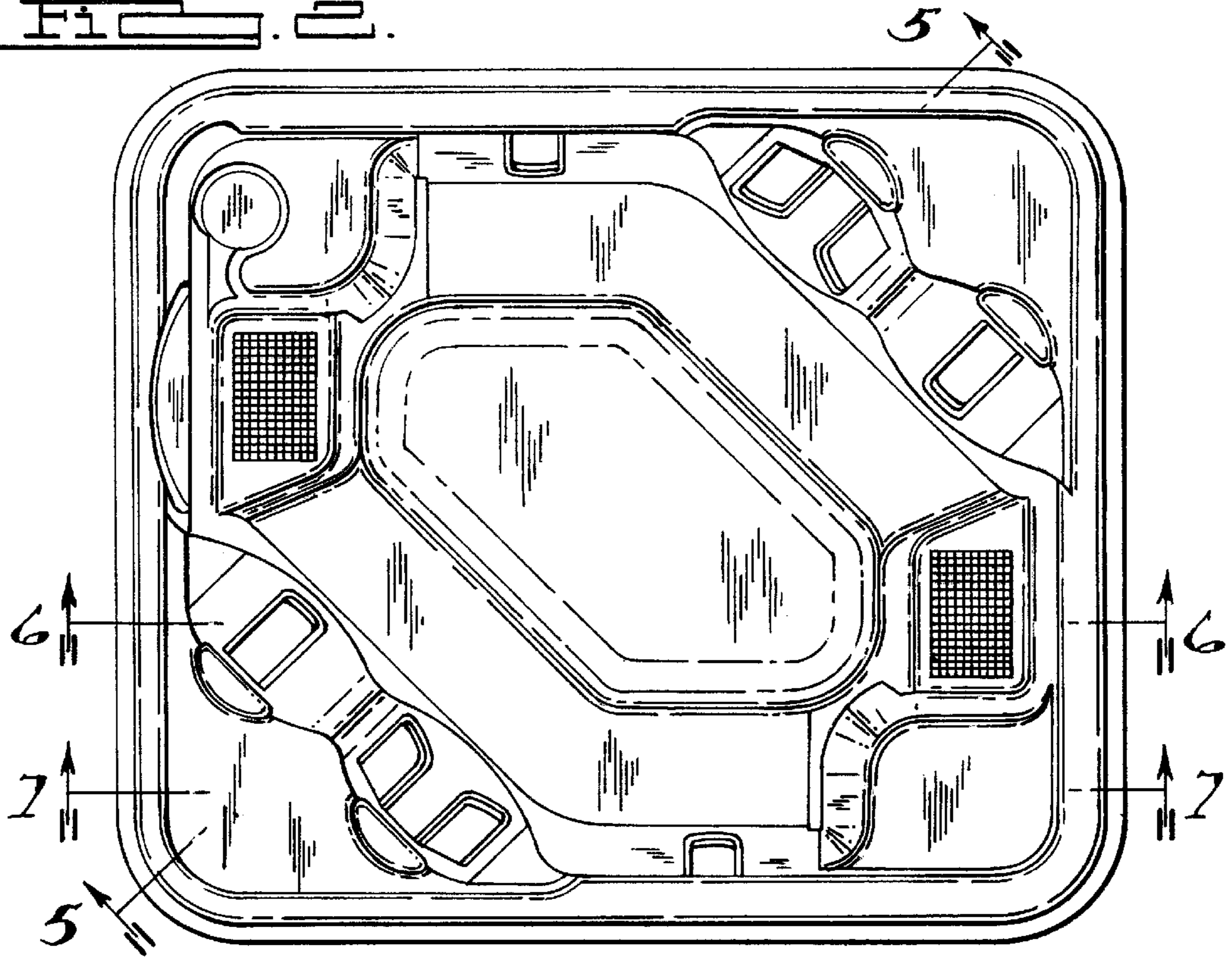


FIG. 3.

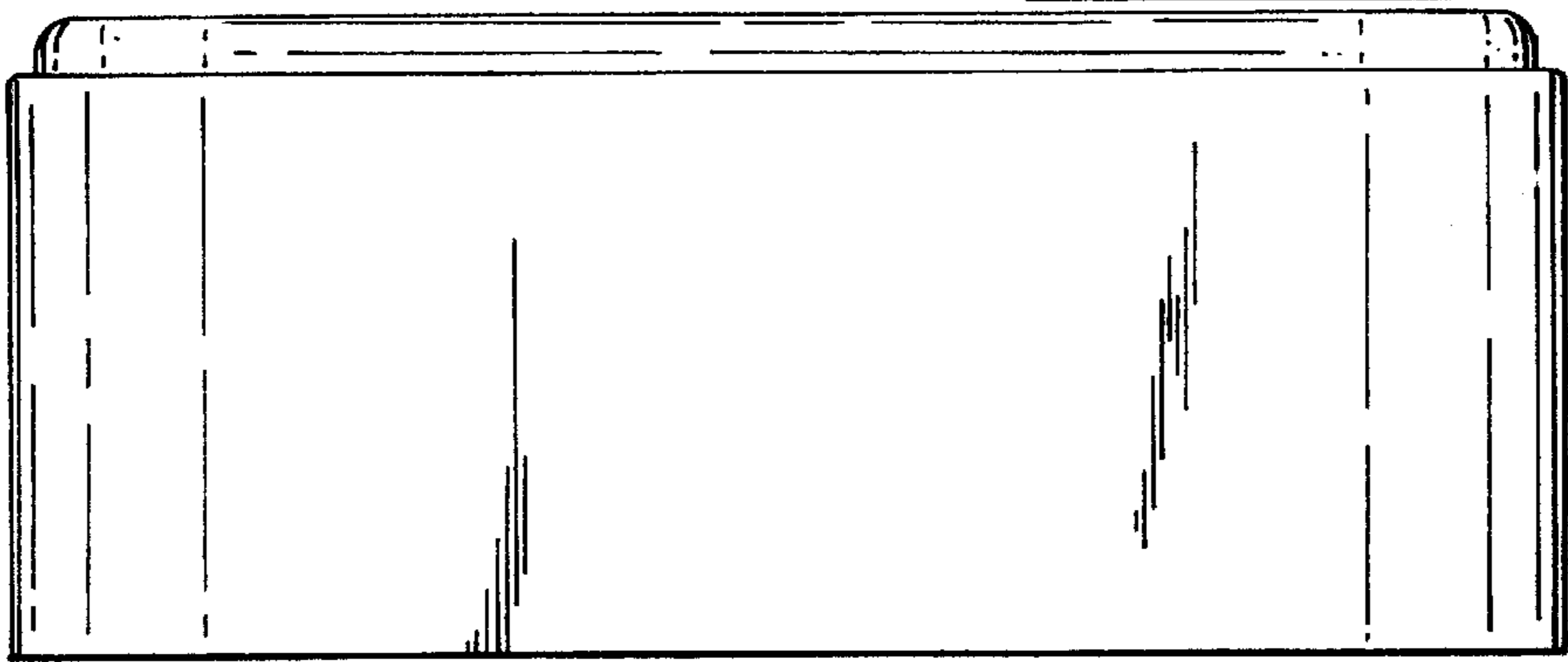
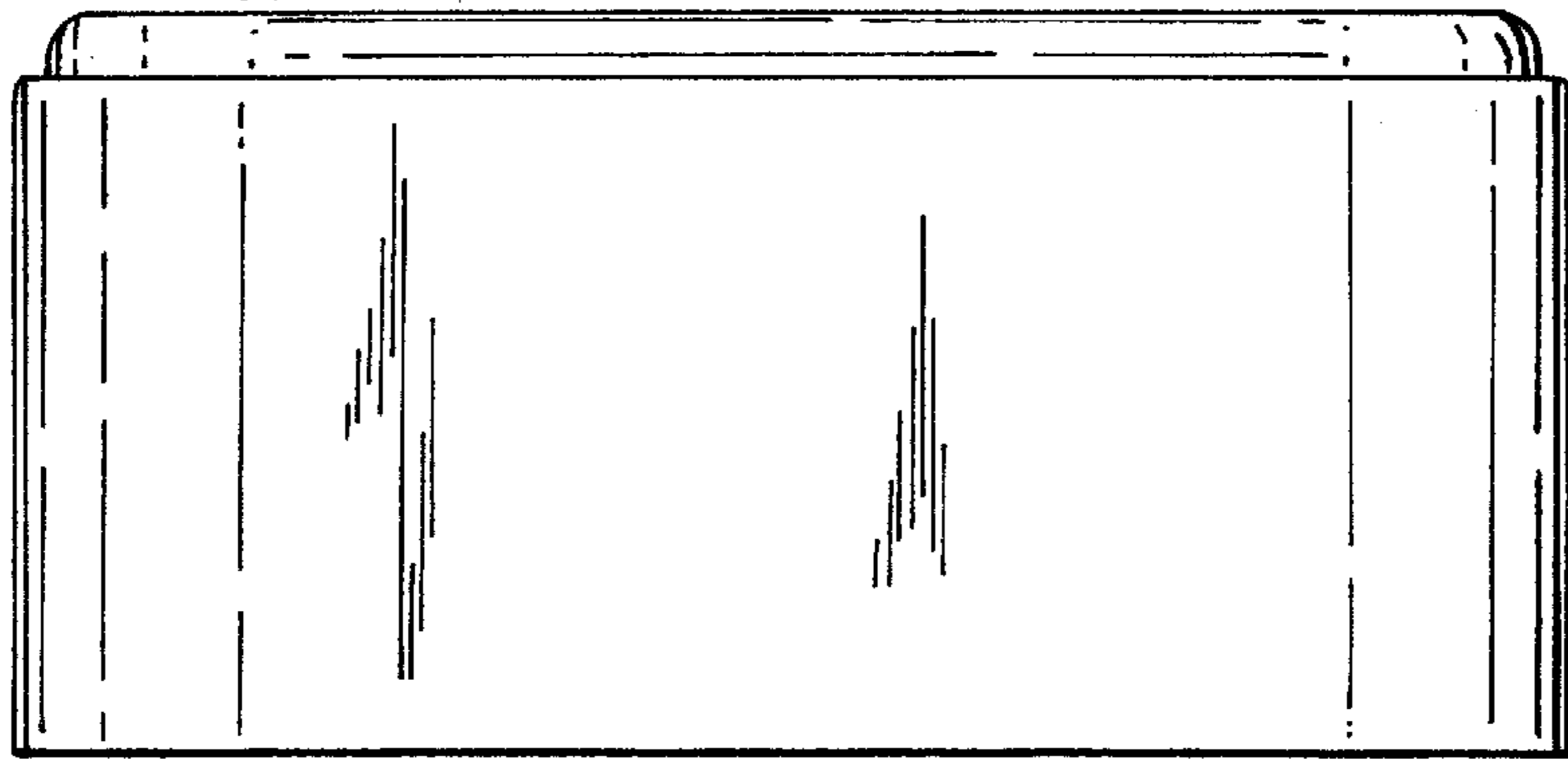


FIG. 4.



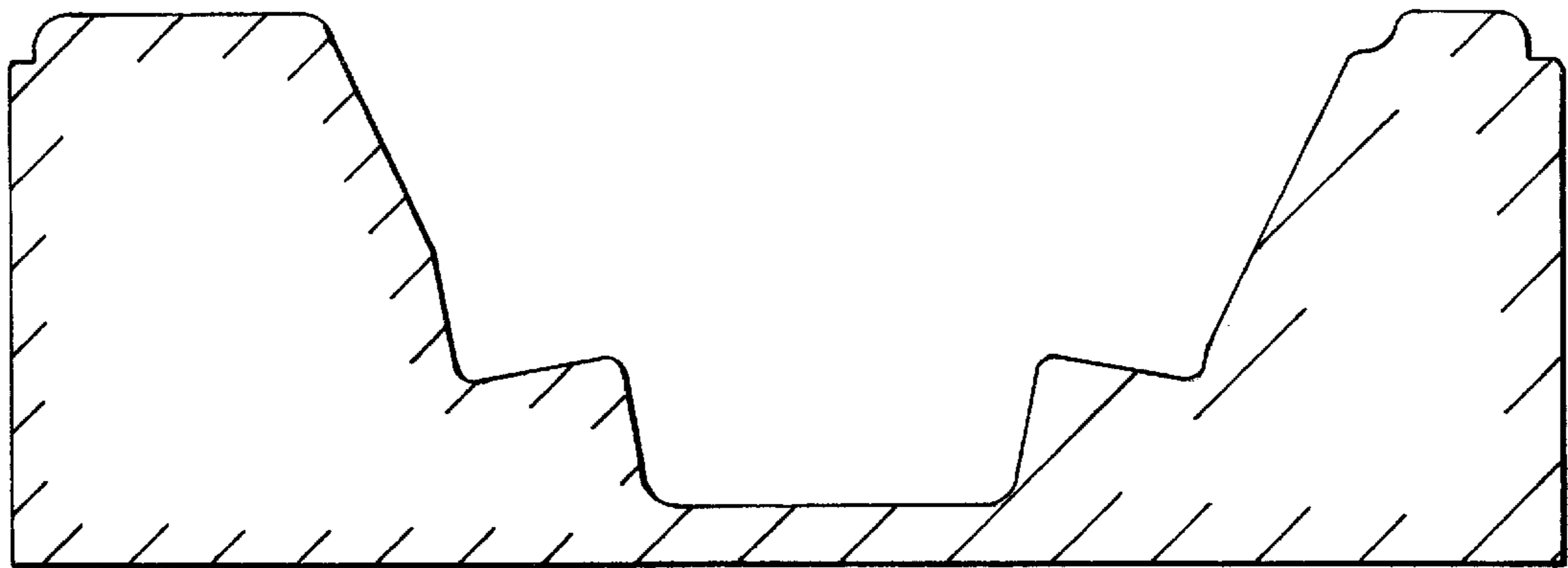


FIG. 5.

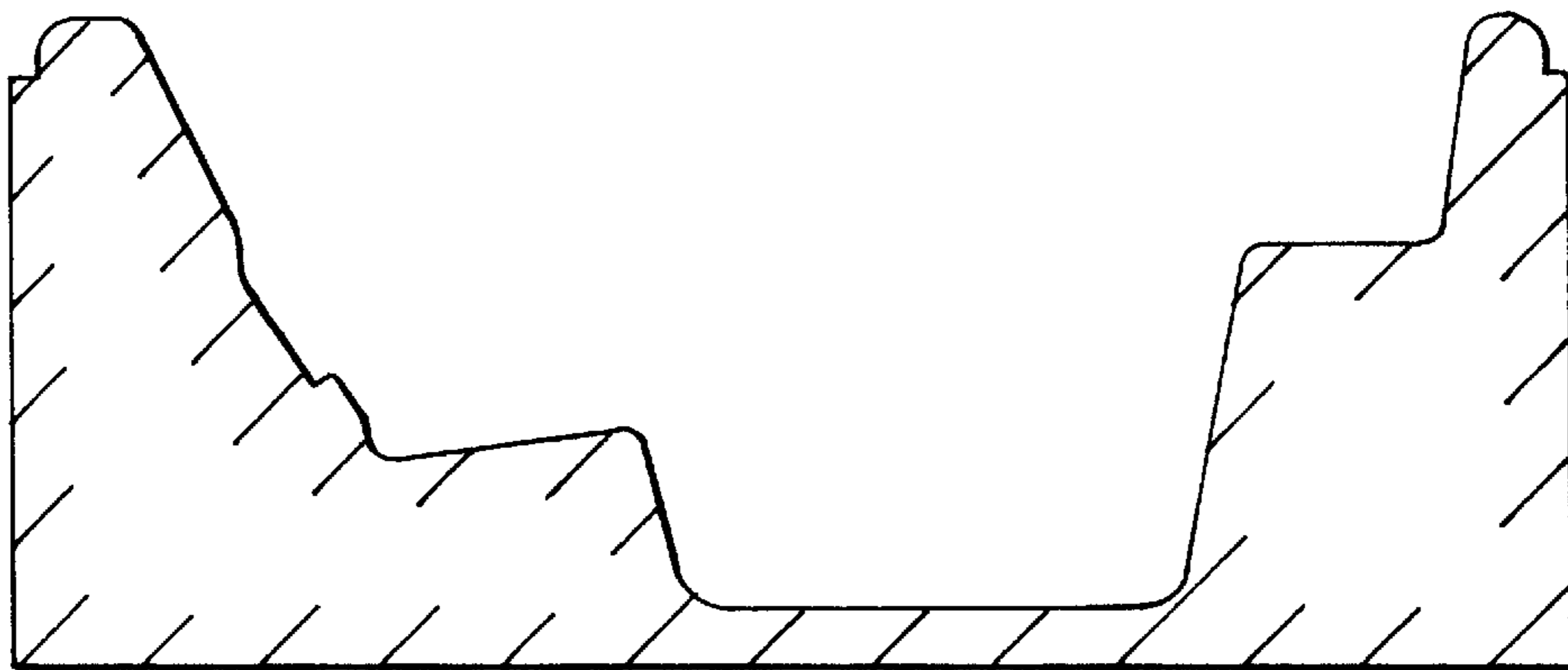


FIG. 6.

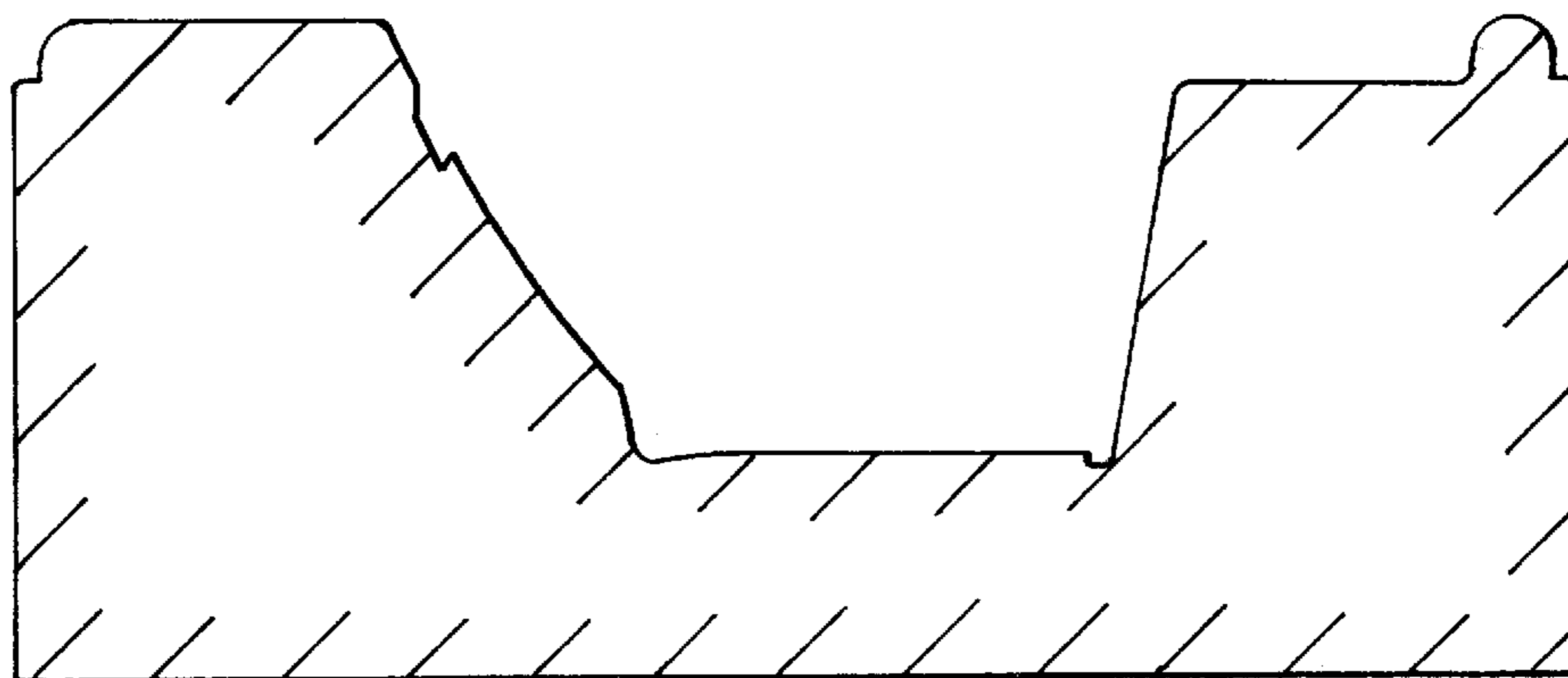


FIG. 7.