



US00D454642S

(12) **United States Design Patent**
Hakim

(10) **Patent No.: US D454,642 S**

(45) **Date of Patent: ** *Mar. 19, 2002**

(54) **BABY BOTTLE**

(76) Inventor: **Nouri E. Hakim**, c/o 2813 Desiard St.,
Monroe, LA (US) 71201

(*) Notice: This patent is subject to a terminal dis-
claimer.

(**) Term: **14 Years**

D279,752 S	*	7/1985	Jagger	D7/510
4,801,027 A	*	1/1989	Hunter	215/11.1
4,917,252 A	*	4/1990	Chambers et al.	215/11.1
D309,948 S	*	8/1990	Chambers	D24/197
D315,212 S	*	3/1991	Oknuki	D24/197
D315,213 S	*	3/1991	Ohnuki	D24/197
D341,892 S	*	11/1993	Yagi	D24/197
D368,529 S	*	4/1996	Allegre	D24/197
D370,262 S	*	5/1996	Allegre	D24/197

* cited by examiner

(21) Appl. No.: **29/119,049**

(22) Filed: **Feb. 23, 2000**

Related U.S. Application Data

(63) Continuation of application No. 29/088,360, filed on May
21, 1998.

(30) **Foreign Application Priority Data**

Nov. 21, 1997 (FR) 97 6785

(51) **LOC (7) Cl.** **07-01**

(52) **U.S. Cl.** **D24/197**

(58) **Field of Search** D24/197; 215/11.1,
215/11.2, 11.3, 11.4, 11.5, 11.6; D7/510,
511, 533, 534, 535, 536

(56) **References Cited**

U.S. PATENT DOCUMENTS

2,792,696 A	*	5/1957	Stayart	215/11.1
D216,730 S	*	3/1970	Carslaw	D7/510
D233,972 S	*	12/1974	Juhlin	D7/511
3,990,596 A	*	11/1976	Hoftman	215/11.1

Primary Examiner—Stella Reid

(74) *Attorney, Agent, or Firm*—Morris E. Cohen

(57) **CLAIM**

I claim the ornamental designs for a baby bottle, as shown
and described.

DESCRIPTION

FIG. 1 is a right side view of a preferred embodiment of the
invention comprising a baby bottle, with the left side view
being a mirror image thereof;

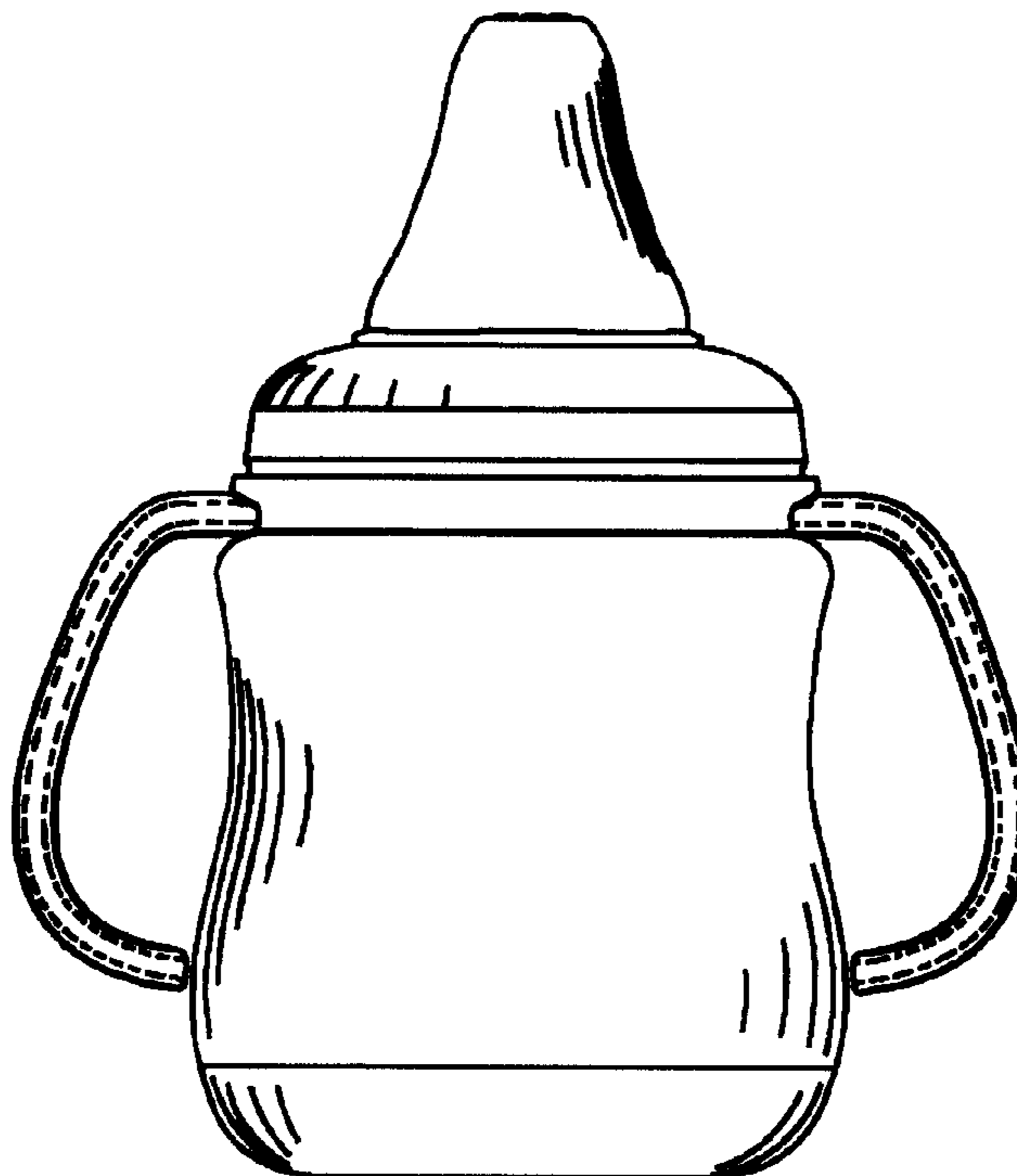
FIG. 2 is a front view of the baby bottle invention shown in
FIG. 1, with the back view being a mirror image thereof;

FIG. 3 is a top view of the baby bottle invention shown in
FIGS. 1–2; and,

FIG. 4 is a bottom view of the baby bottle invention shown
in FIGS. 1–3.

The broken lines on the surface of the claim in FIGS. 1–4 are
for illustrative purposes only and form no part of the claimed
design.

1 Claim, 1 Drawing Sheet



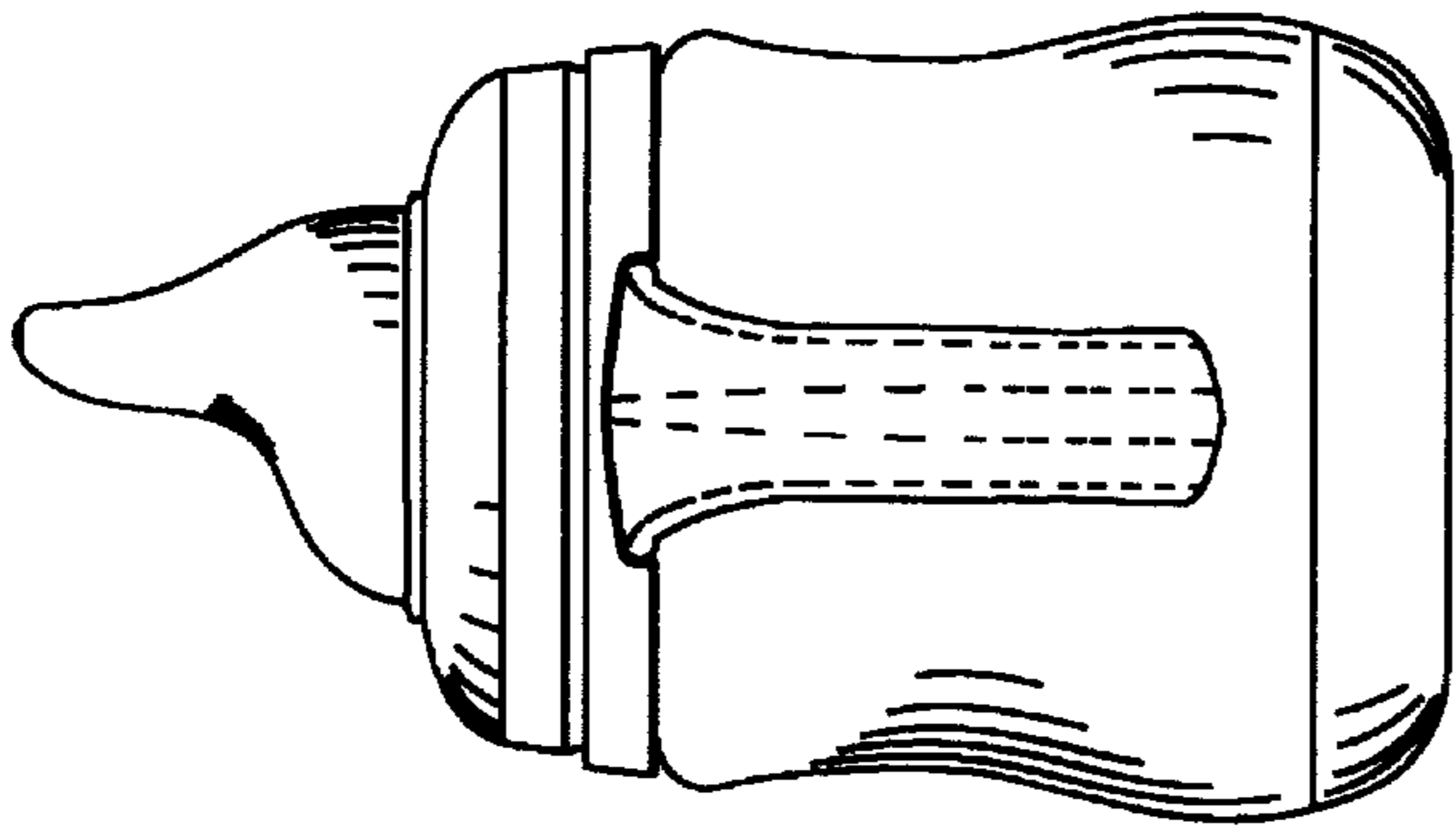


FIG. 1

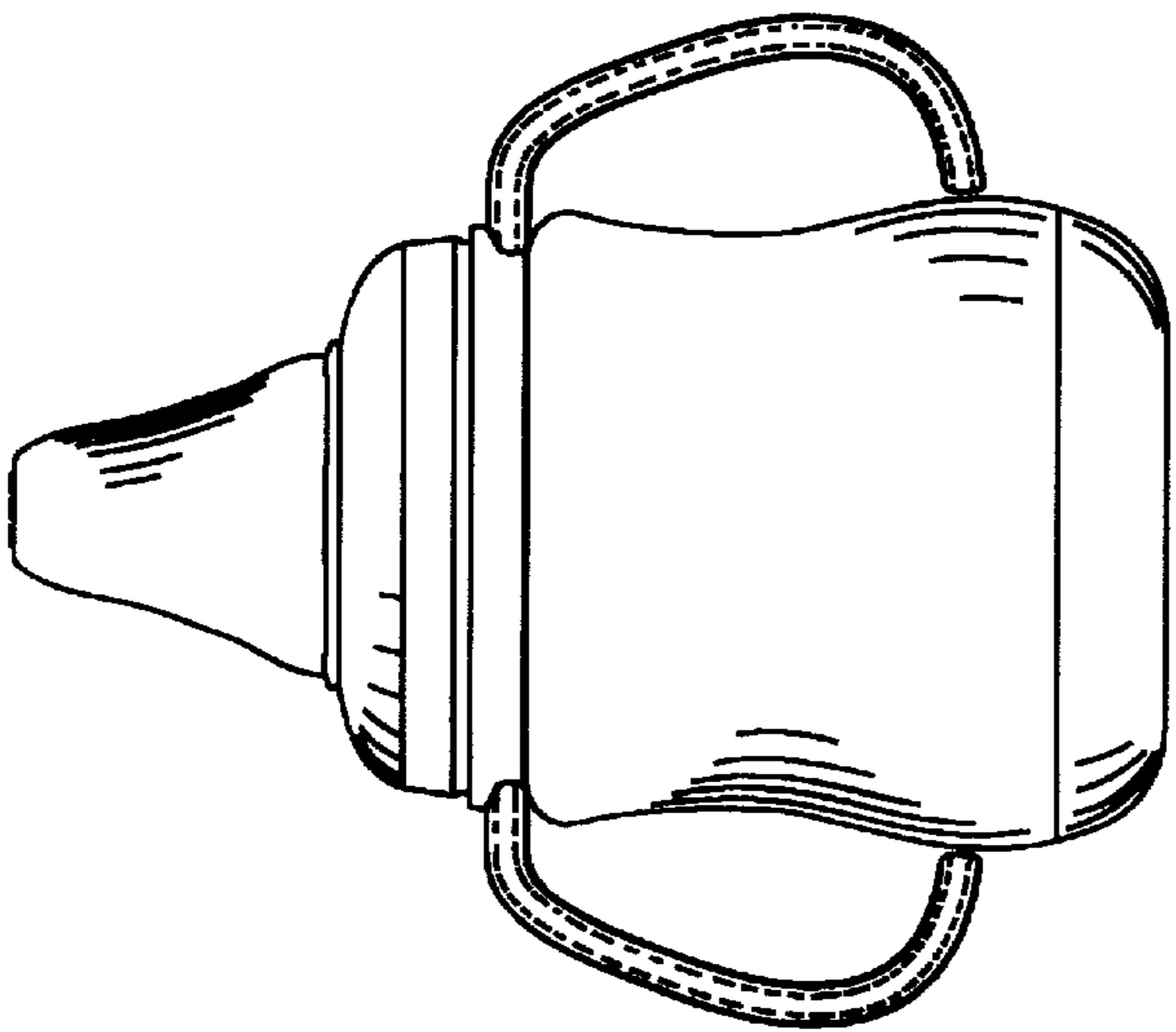


FIG. 2

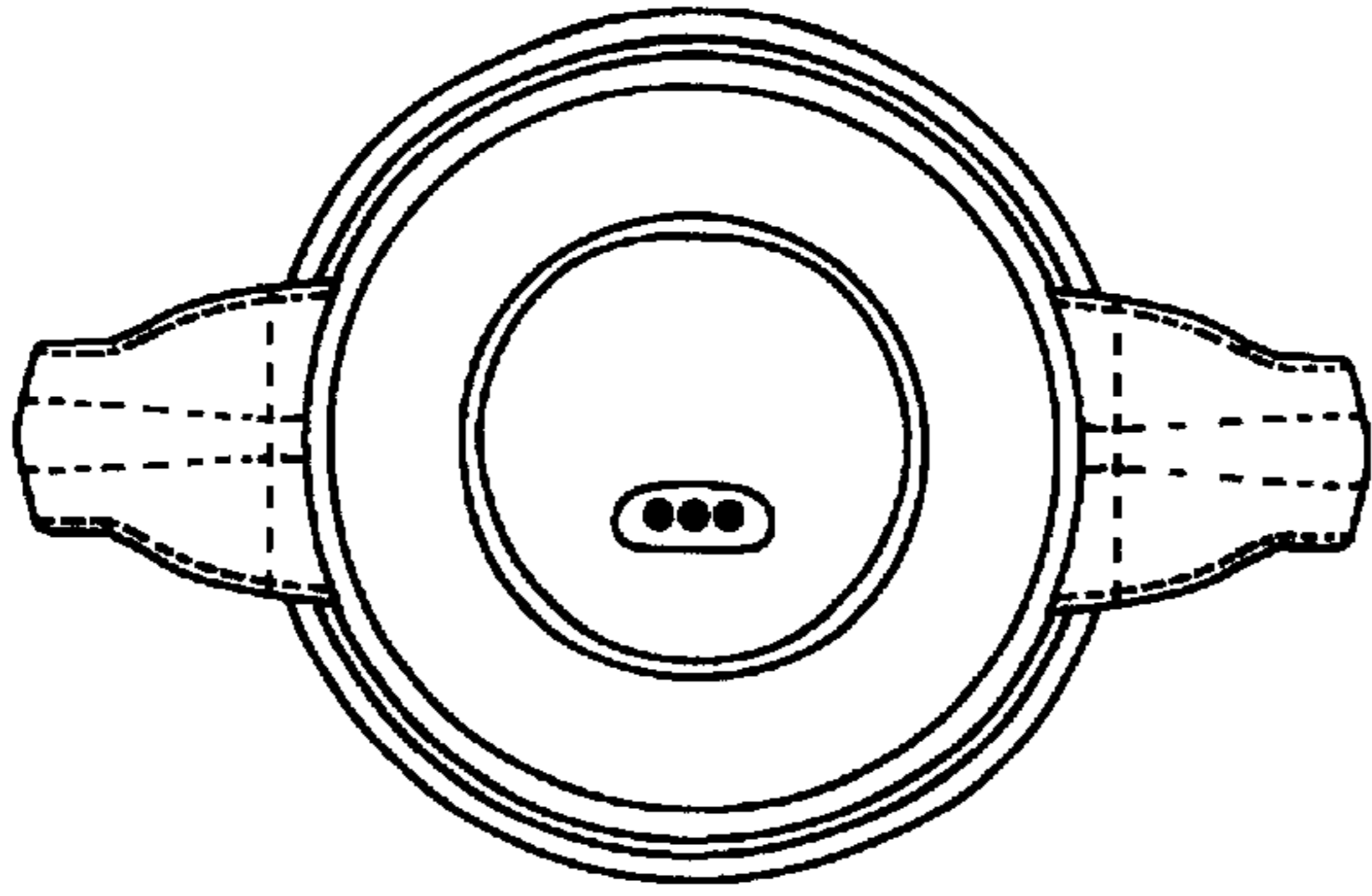


FIG. 3

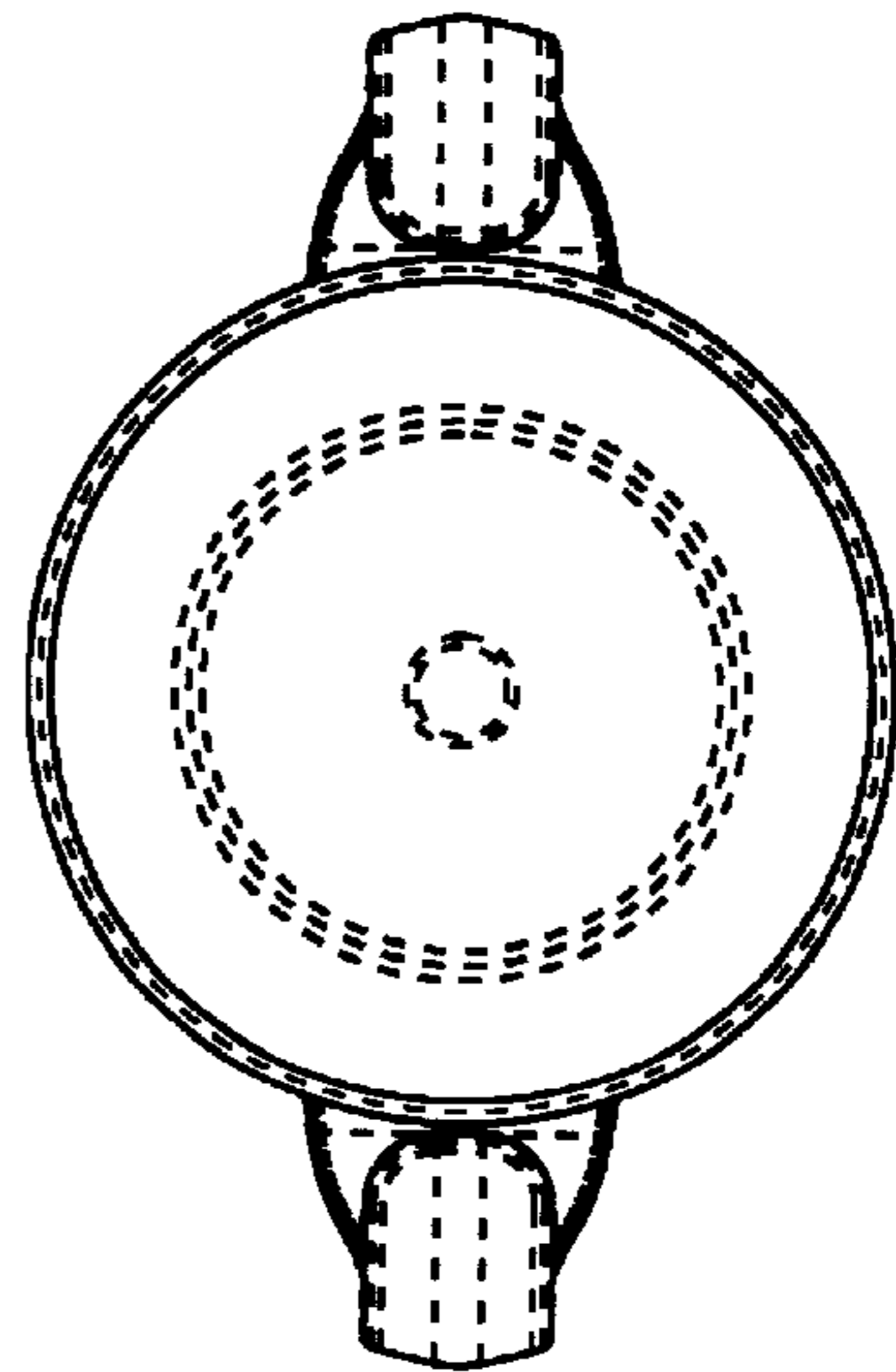


FIG. 4