



US00D454641S

(12) **United States Design Patent**
Collins et al.

(10) **Patent No.:** **US D454,641 S**
(45) **Date of Patent:** **** Mar. 19, 2002**

(54) **PACIFIER**

D375,793 S * 11/1996 Owen D24/195

(76) Inventors: **Ruth F. Collins**, 2635 N. Ridge, Mesa, AZ (US) 85203; **Hillary Morrow**, 4105 Old Mission, Farmington, NM (US) 87401

* cited by examiner

Primary Examiner—Stella Reid

(74) *Attorney, Agent, or Firm*—Schmeiser, Olsen and Watts

(**) Term: **14 Years**

(57) **CLAIM**

The ornamental design for a pacifier, as shown and described.

(21) Appl. No.: **29/143,259**

DESCRIPTION

(22) Filed: **Jun. 11, 2001**

(51) **LOC (7) Cl.** **24-04**

(52) **U.S. Cl.** **D24/195**

(58) **Field of Search** D24/194, 195, D24/193; 606/234, 235, 236

FIG. 1 is a front elevational view of the pacifier;

FIG. 2 is a rear elevational view of the pacifier;

FIG. 3 is a top plan view of the pacifier;

FIG. 4 is a bottom plan view of the pacifier;

FIG. 5 is a side elevational view of the pacifier taken from the right side; and,

FIG. 6 is a side elevational view of the pacifier taken from the left side.

The broken line showing of the nipple is for illustrative purposes only and forms no part of the claimed design.

(56) **References Cited**

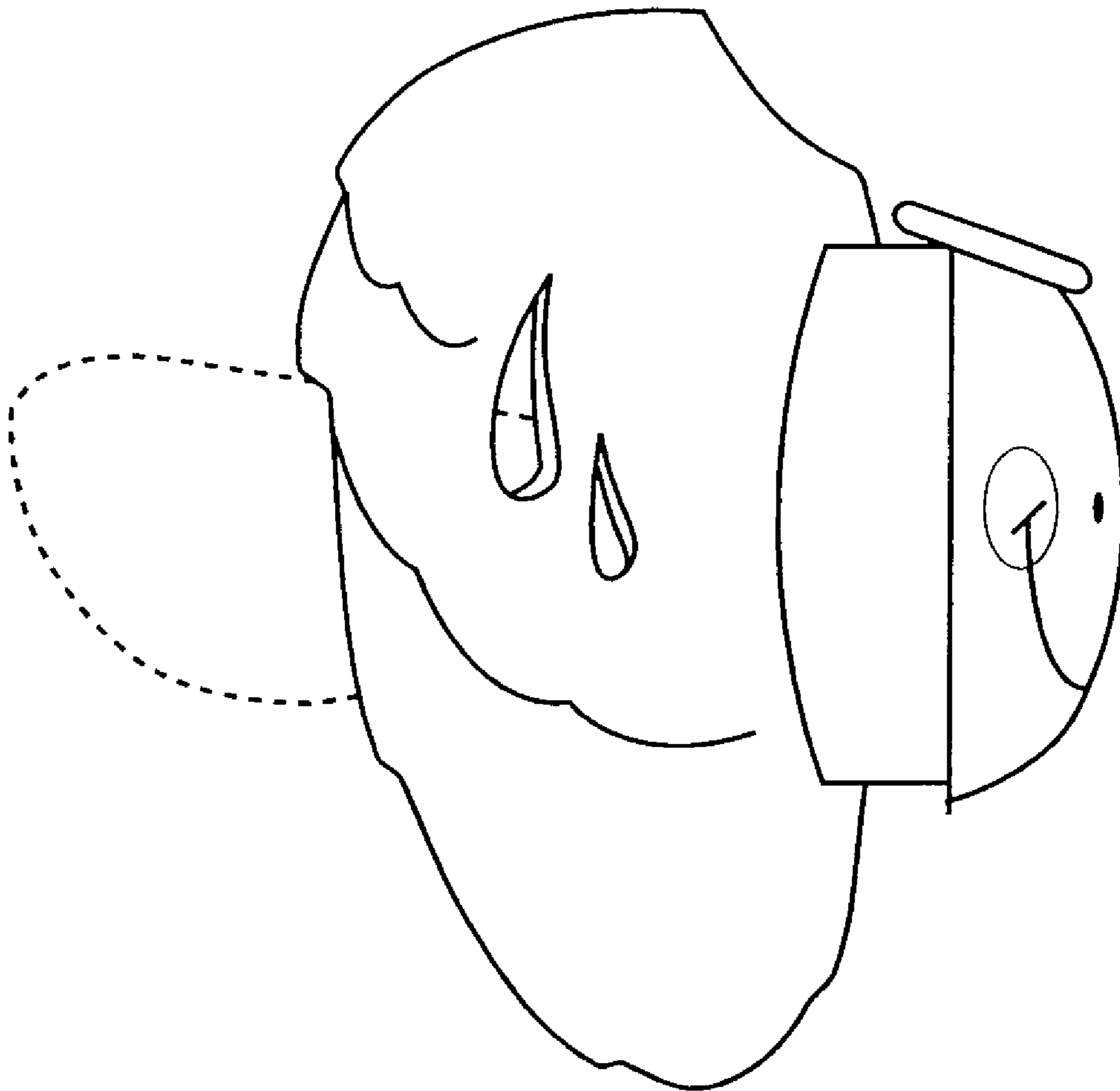
U.S. PATENT DOCUMENTS

2,860,639 A * 11/1958 Hoover 606/234

D296,471 S * 6/1988 Marriott D24/195

D359,123 S * 6/1995 Perrine D24/195

1 Claim, 3 Drawing Sheets



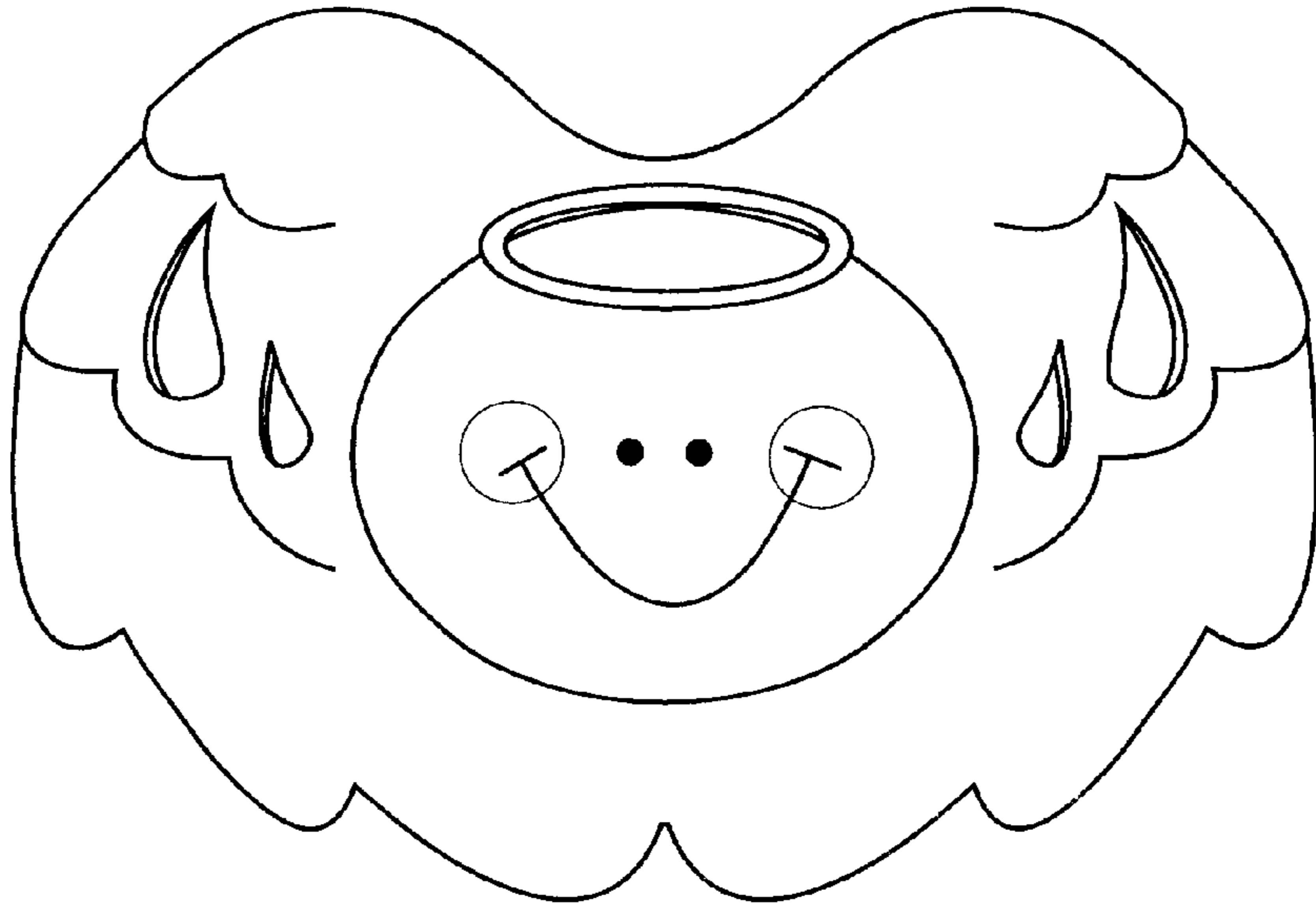


FIG. 1

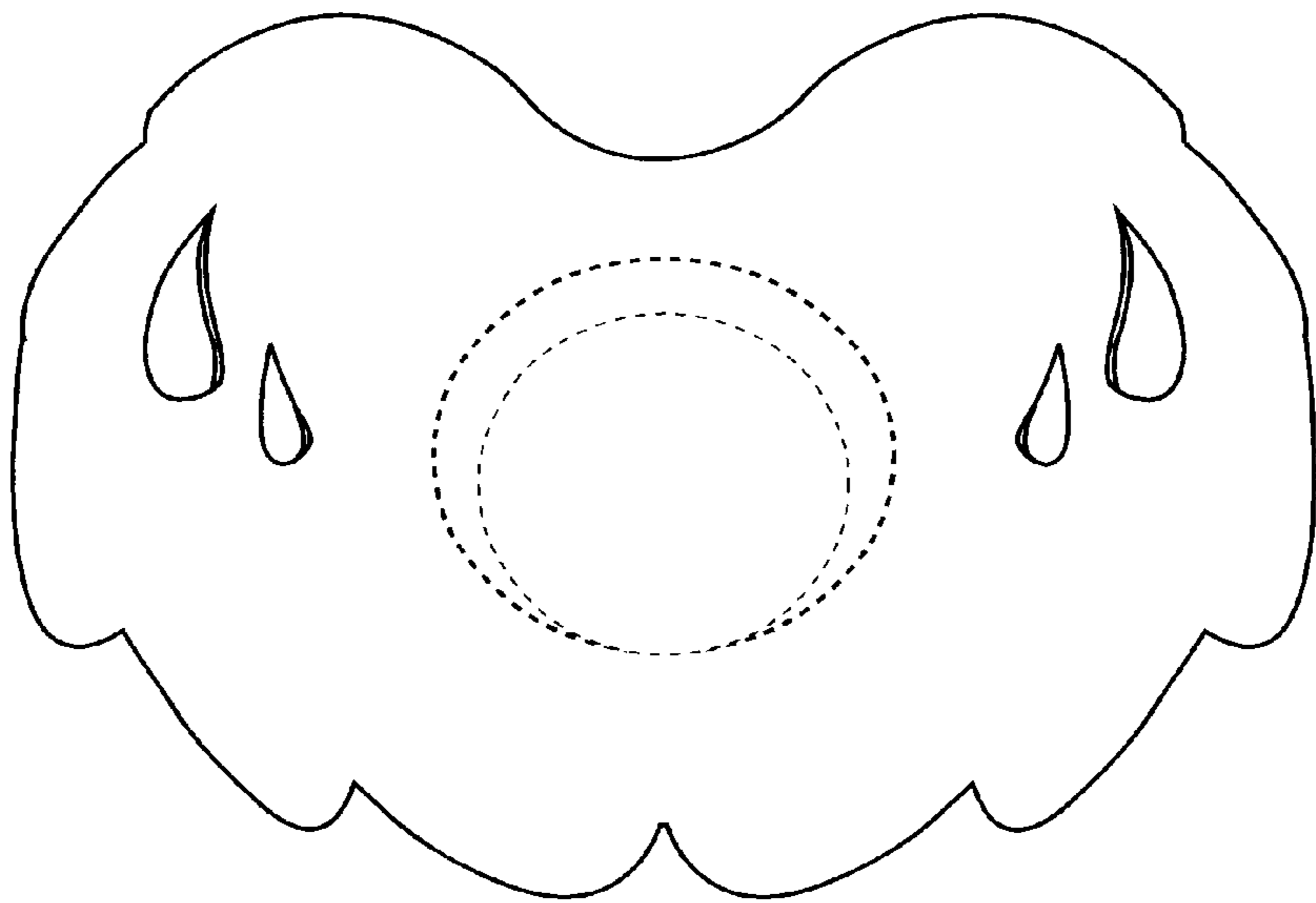


FIG. 2

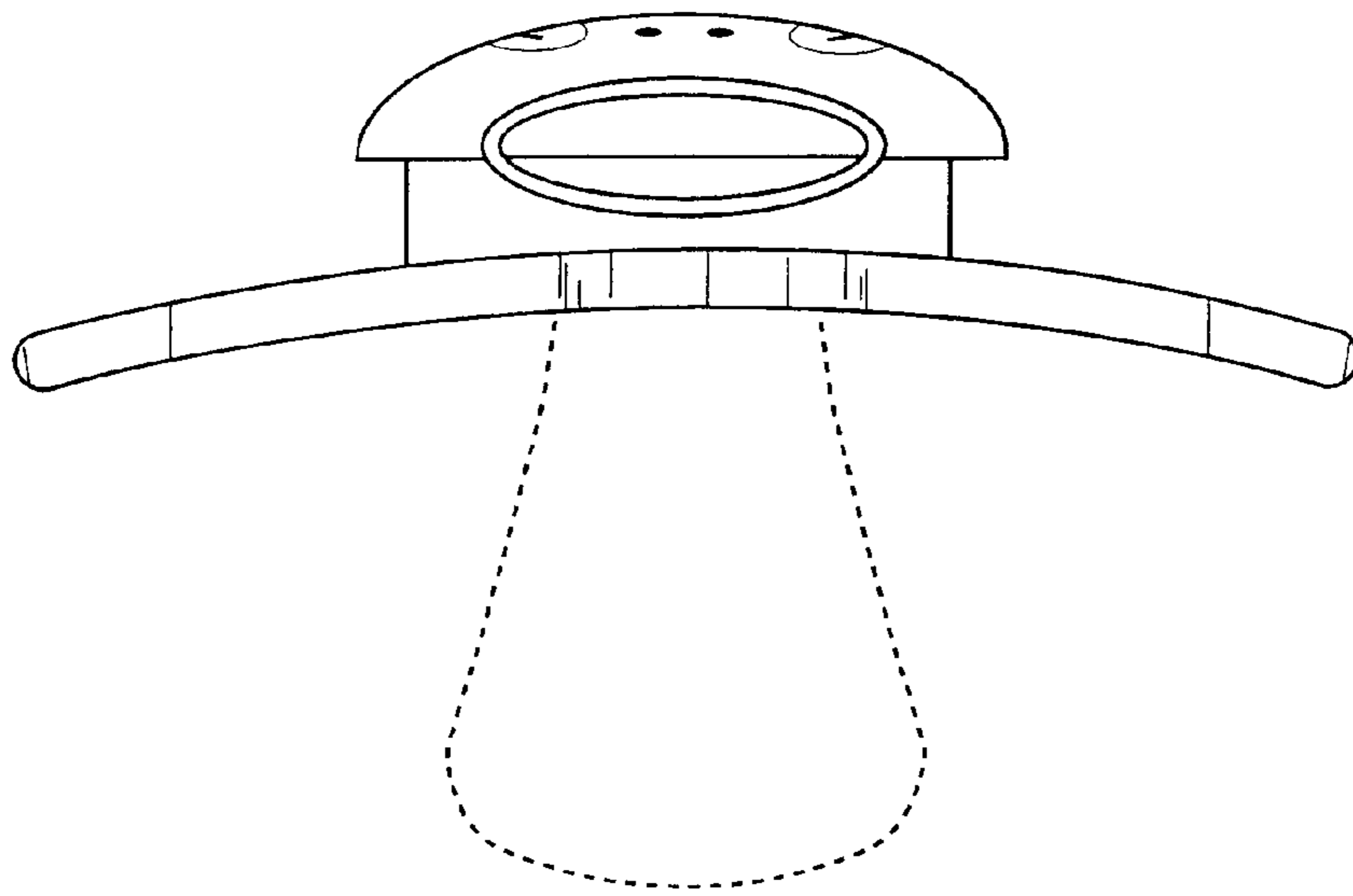


FIG. 3

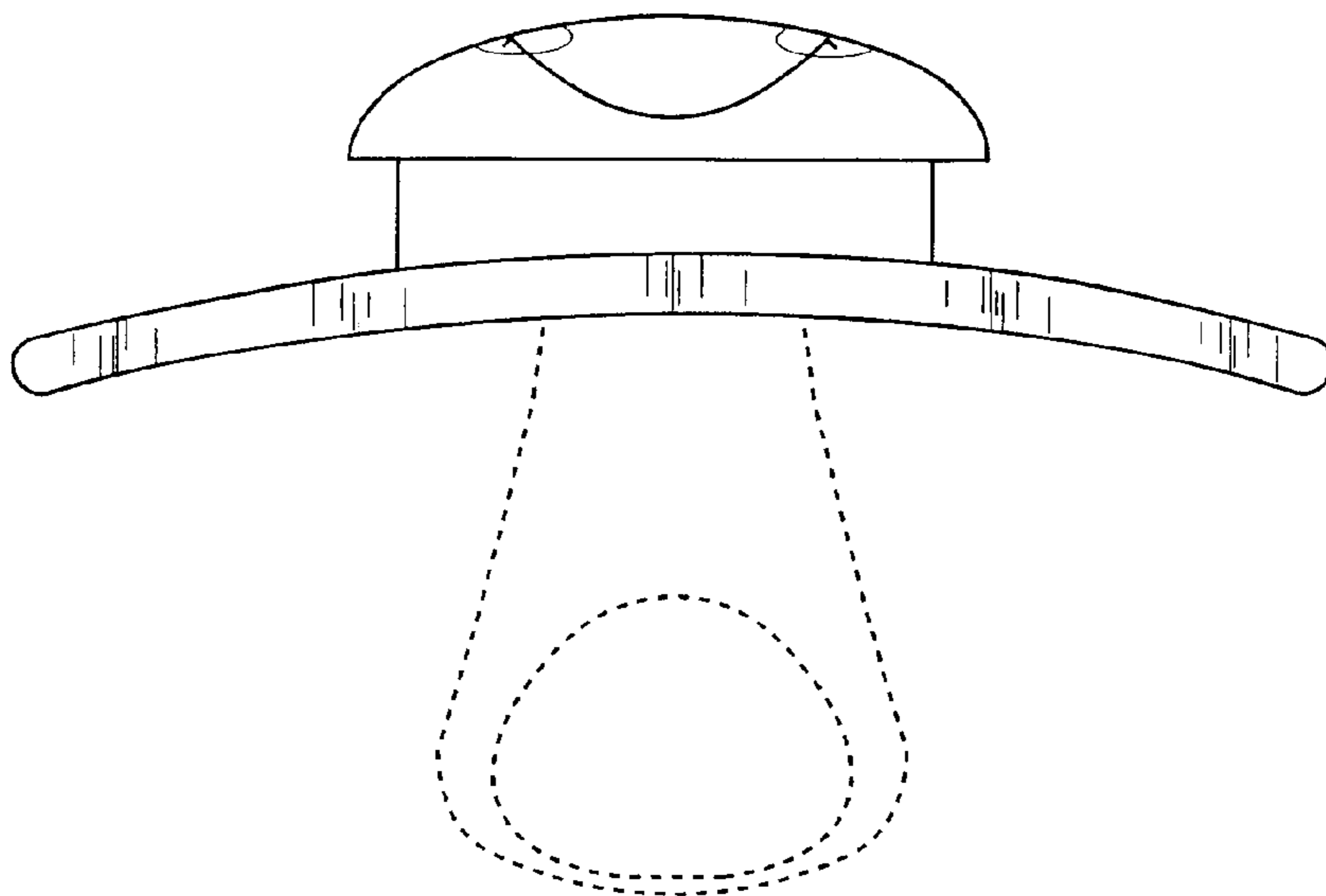


FIG. 4

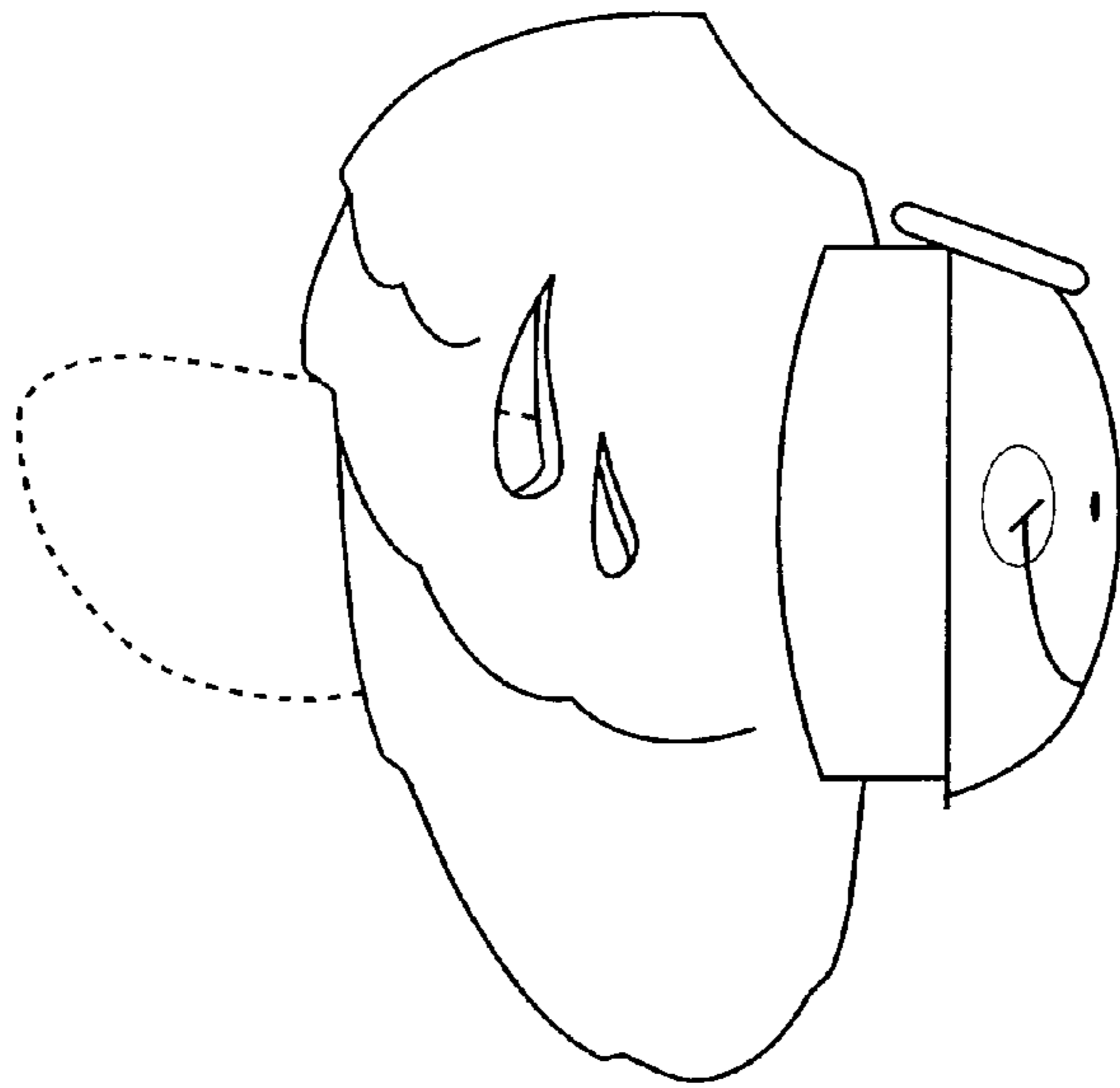


FIG. 5

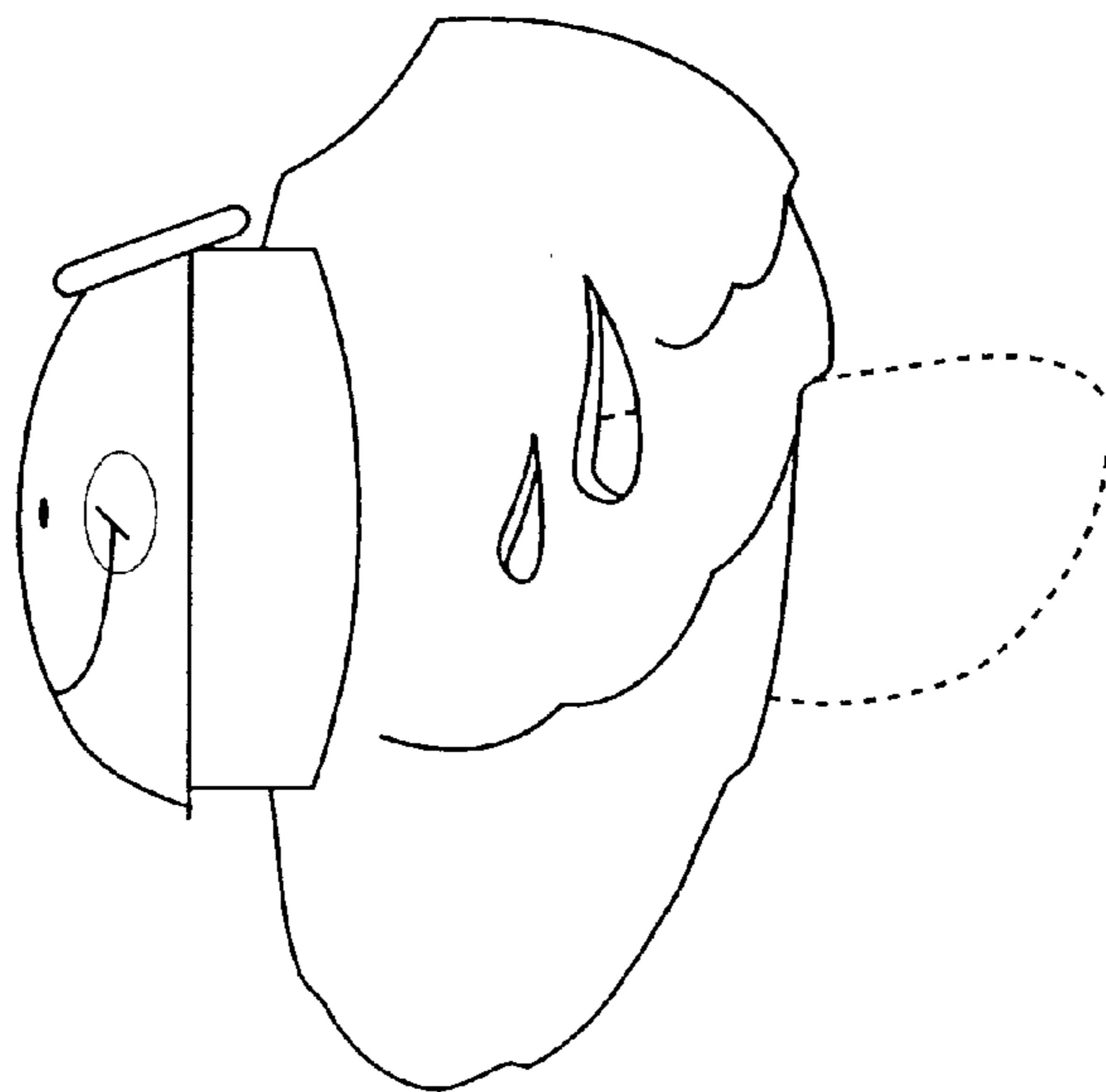


FIG. 6