



US00D454638S

(12) **United States Design Patent**
Topala

(10) **Patent No.:** **US D454,638 S**

(45) **Date of Patent:** **** Mar. 19, 2002**

(54) **ENDOSCOPE BASE**

D358,886 S 5/1995 Balazs
D420,131 S 2/2000 Renner et al.

(75) Inventor: **Cornel Topala**, Palatine, IL (US)

* cited by examiner

(73) Assignee: **Cortek Endoscopy, Inc.**, Palatine, IL (US)

Primary Examiner—Stella Reid
(74) *Attorney, Agent, or Firm*—Cook, Alex, McFarron, Manzo, Cummings & Mehler

(**) Term: **14 Years**

(57) **CLAIM**

(21) Appl. No.: **29/132,870**

The ornamental design for an endoscope base, as shown and described.

(22) Filed: **Nov. 16, 2000**

(51) **LOC (7) Cl.** **24-02**

DESCRIPTION

(52) **U.S. Cl.** **D24/138**

(58) **Field of Search** D24/138, 137, D24/133; 600/101, 162, 163, 164, 165, 172, 175, 109, 122, 157

FIG. 1 is a perspective view of an endoscope base showing my new design;
FIG. 2 is a side elevational view thereof, the opposite side elevational view being substantially a mirror image;
FIG. 3 is a top plan view thereof;
FIG. 4 is a bottom plan view thereof;
FIG. 5 is a rear elevational view thereof;
FIG. 6 is a front elevational view thereof;
FIG. 7 is a perspective view of a second embodiment of the endoscope base showing my new design;
FIG. 8 is a side elevational view thereof;
FIG. 9 is a side elevational view thereof, opposite that shown in FIG. 8;
FIG. 10 is a top plan view thereof;
FIG. 11 is a bottom plan view thereof;
FIG. 12 is a rear elevational view thereof; and,
FIG. 13 is a front elevational view thereof.
The broken lines shown in FIGS. 1–13 is for illustrative purposes only and form no part of the claimed design.

(56) **References Cited**

U.S. PATENT DOCUMENTS

D215,905 S	11/1969	Hotchkiss	
D216,234 S	12/1969	Hotchkiss	
D248,664 S	7/1978	Takahashi	
D254,270 S	2/1980	Ziegler	
D269,457 S	6/1983	Ishiwara	
D269,904 S	7/1983	Shimonaka	
D277,405 S	1/1985	Imada	
D277,406 S	1/1985	Imada	
D277,505 S	2/1985	Kubokawa et al.	
D286,566 S	11/1986	Vukovic	
4,736,733 A	* 4/1988	Adair	600/109
4,860,094 A	* 8/1989	Hibino et al.	600/109
4,974,580 A	* 12/1990	Anaplotis	600/122
D326,714 S	6/1992	Funakoski et al.	
5,167,220 A	* 12/1992	Brown	600/157
D358,641 S	* 5/1995	Balazs	D24/138

1 Claim, 3 Drawing Sheets

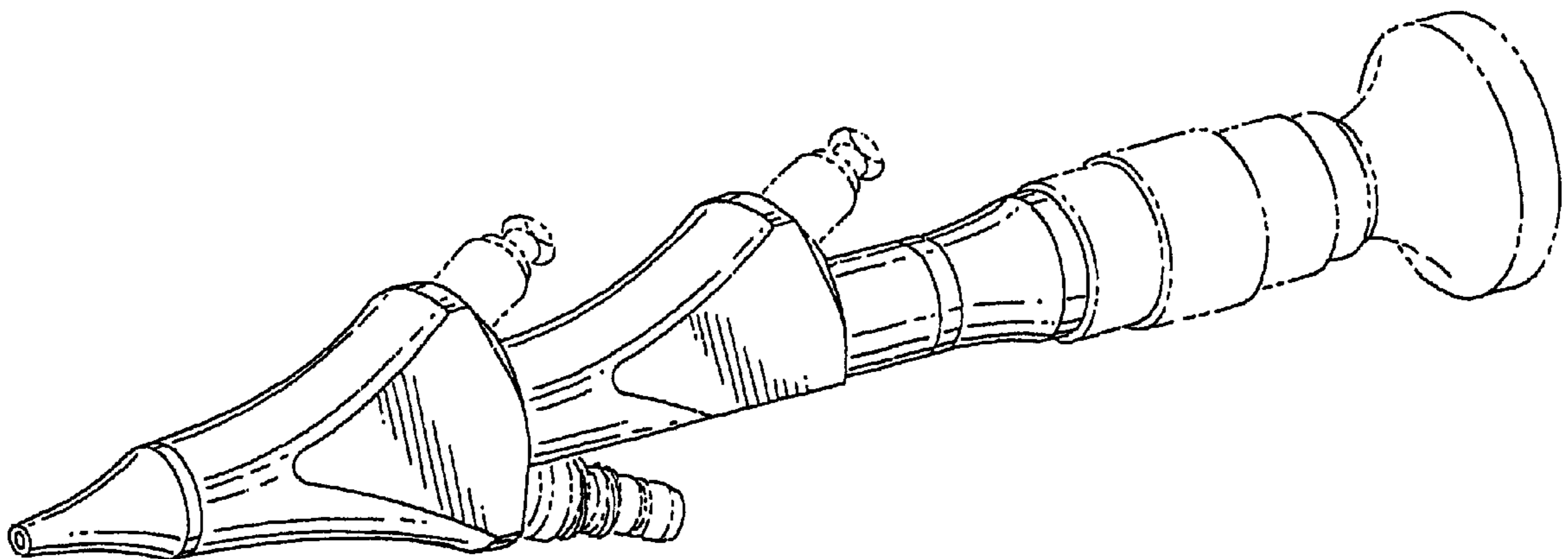


FIG. 1

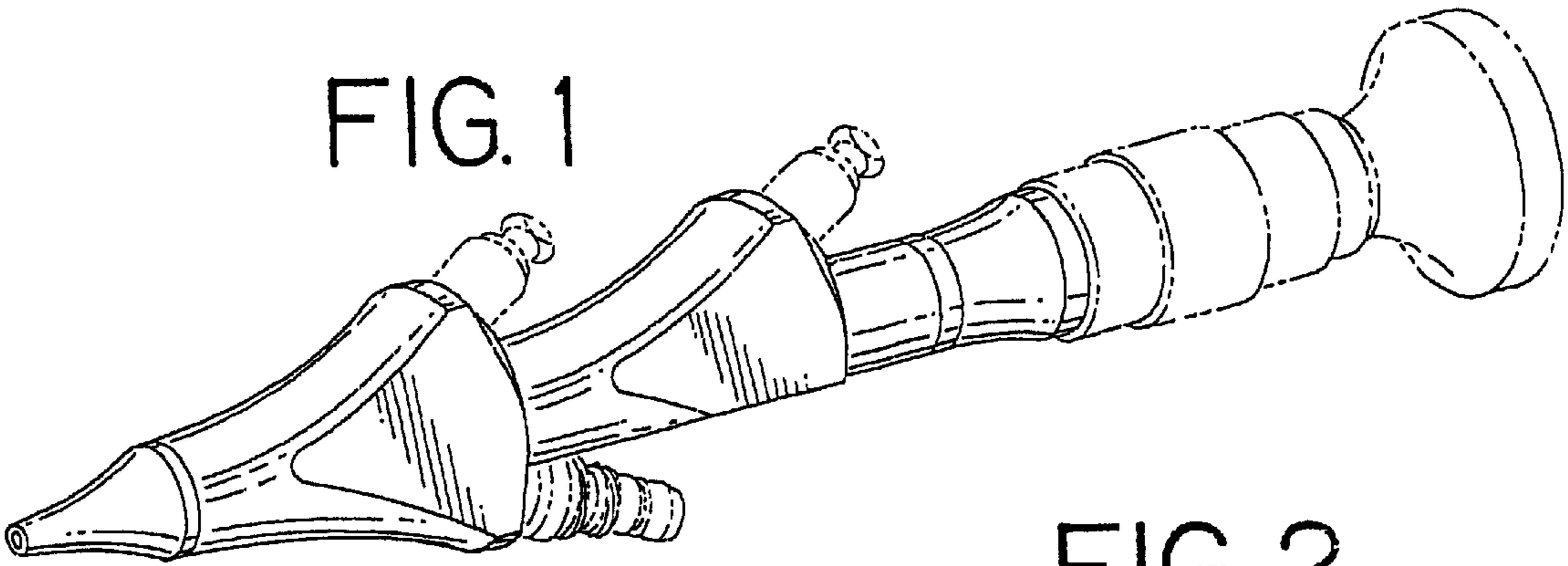


FIG. 2

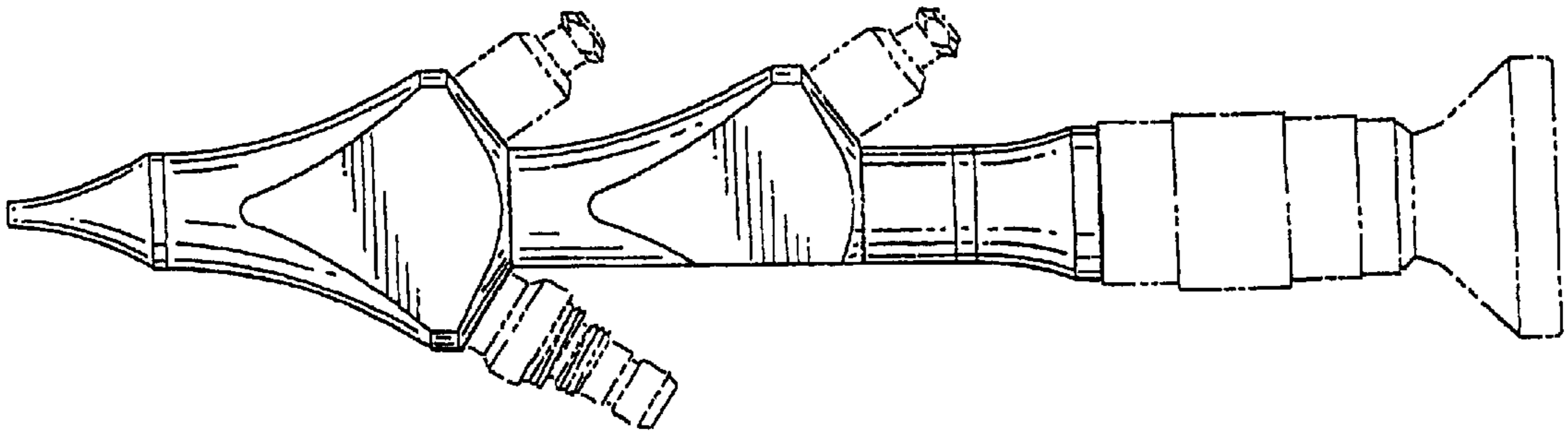


FIG. 3

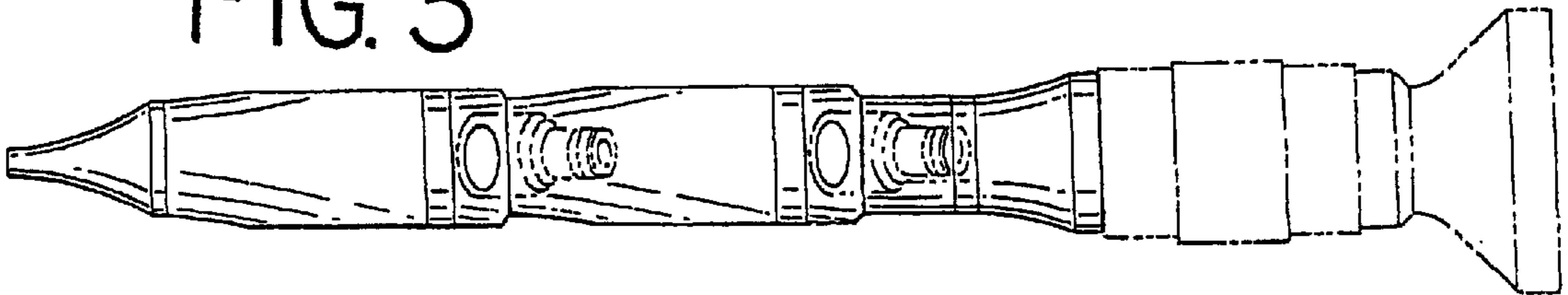


FIG. 4

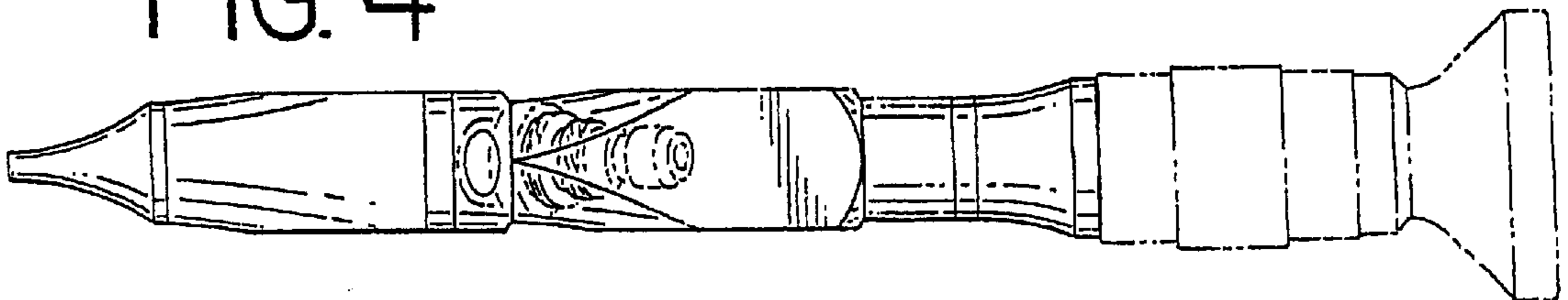


FIG. 5

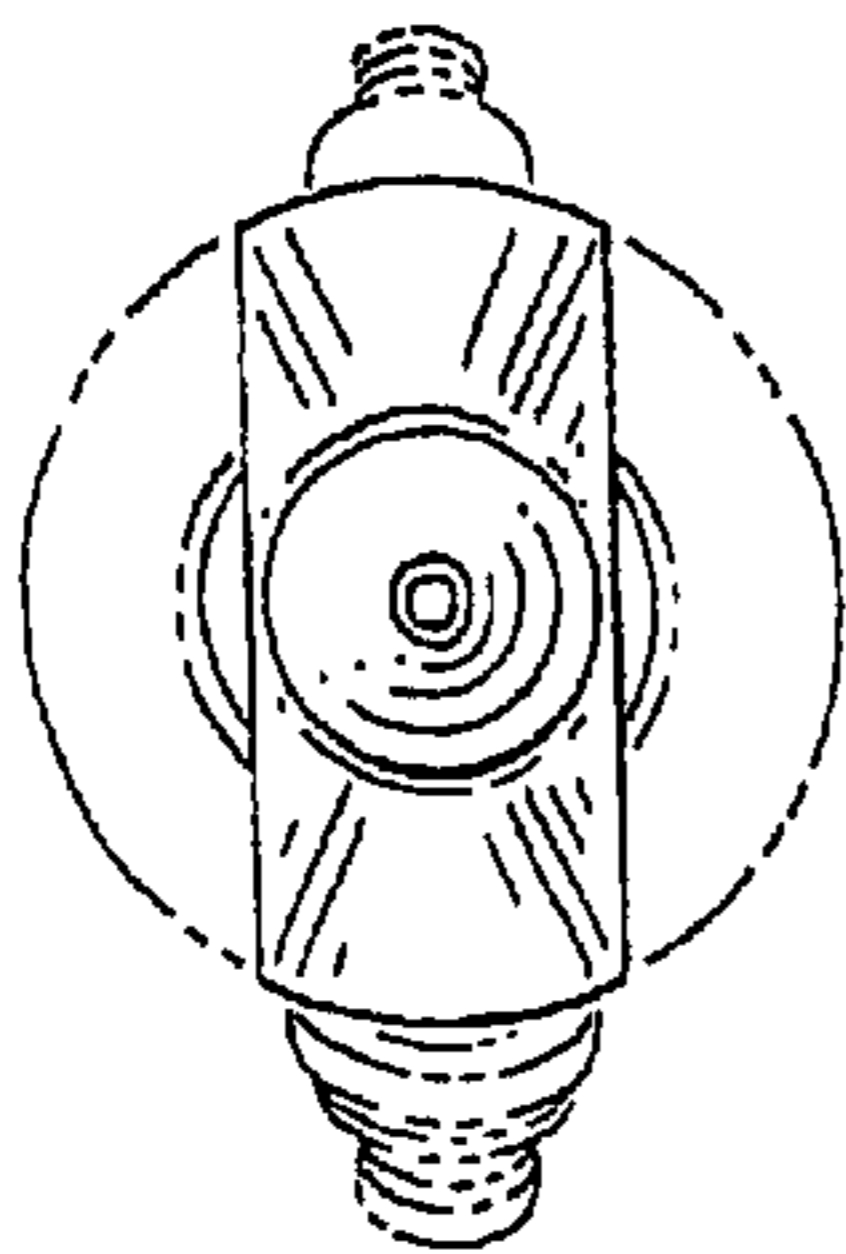


FIG. 6

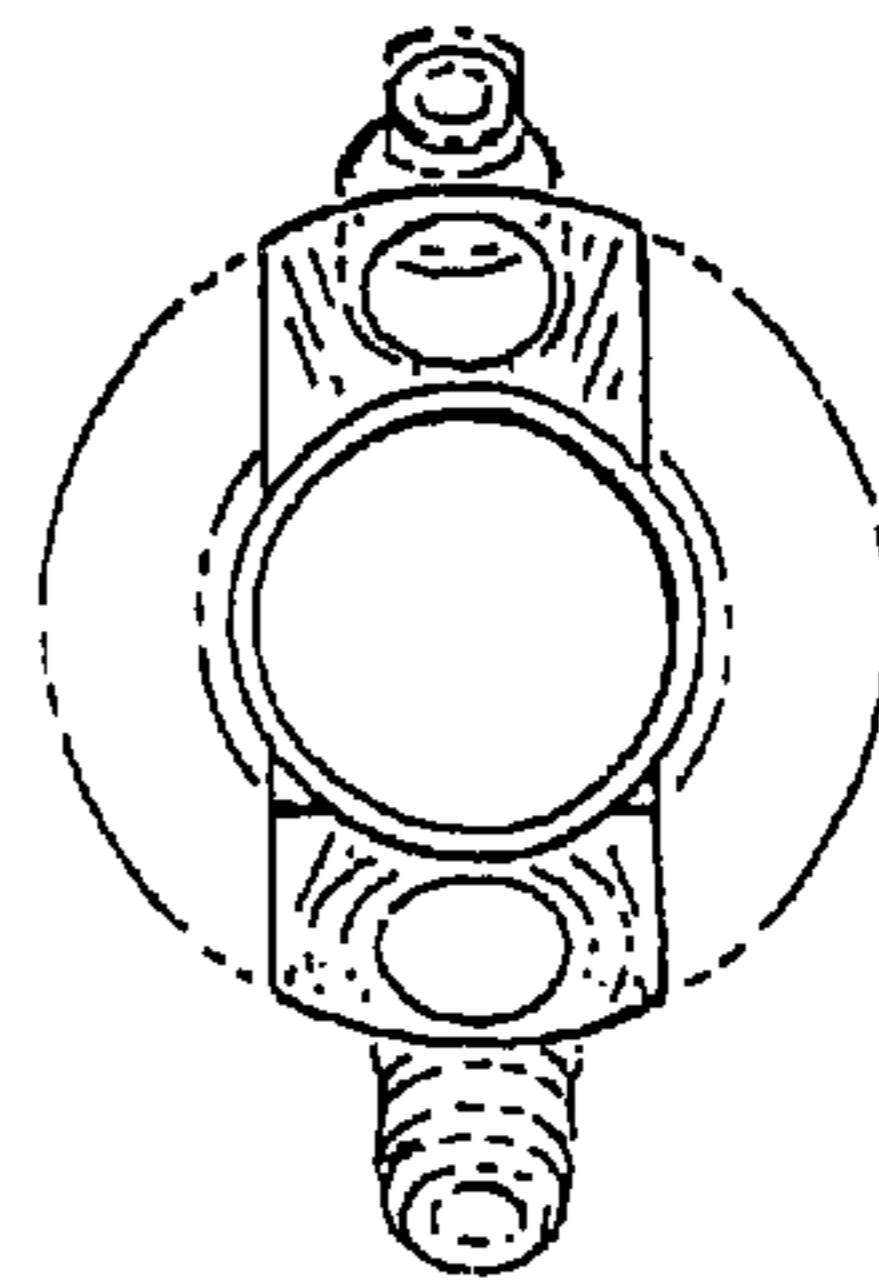


FIG. 7

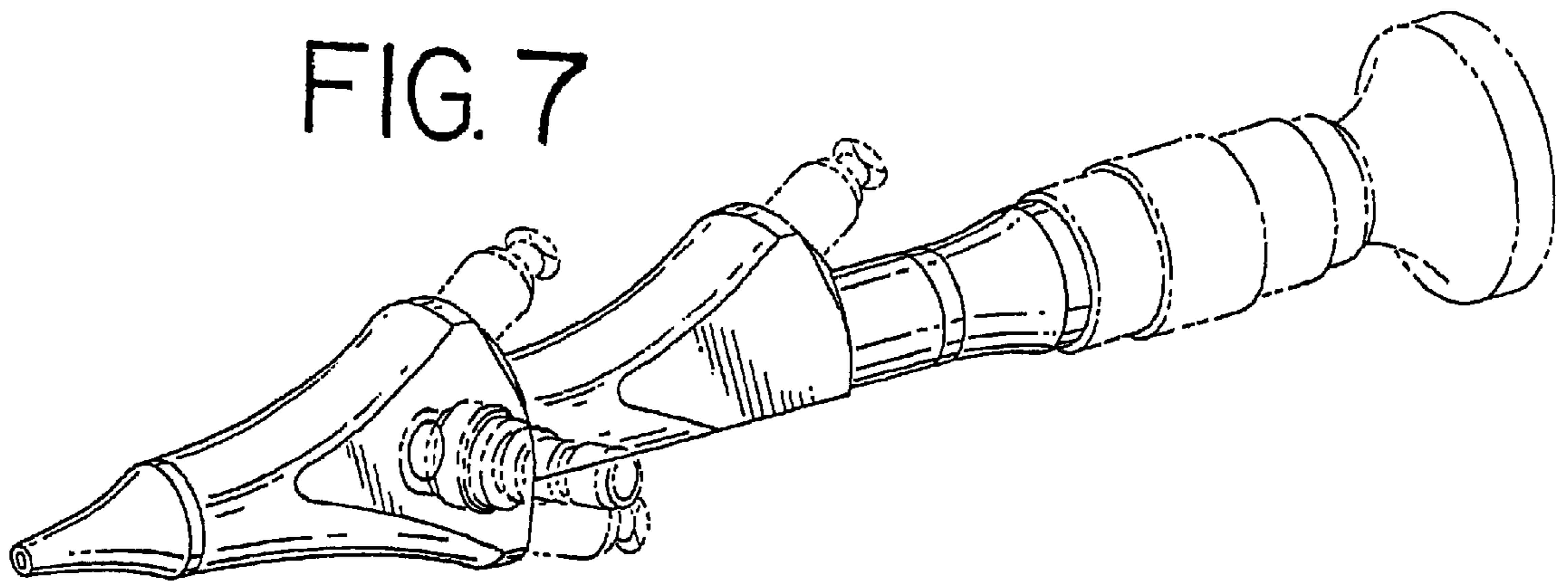


FIG. 8

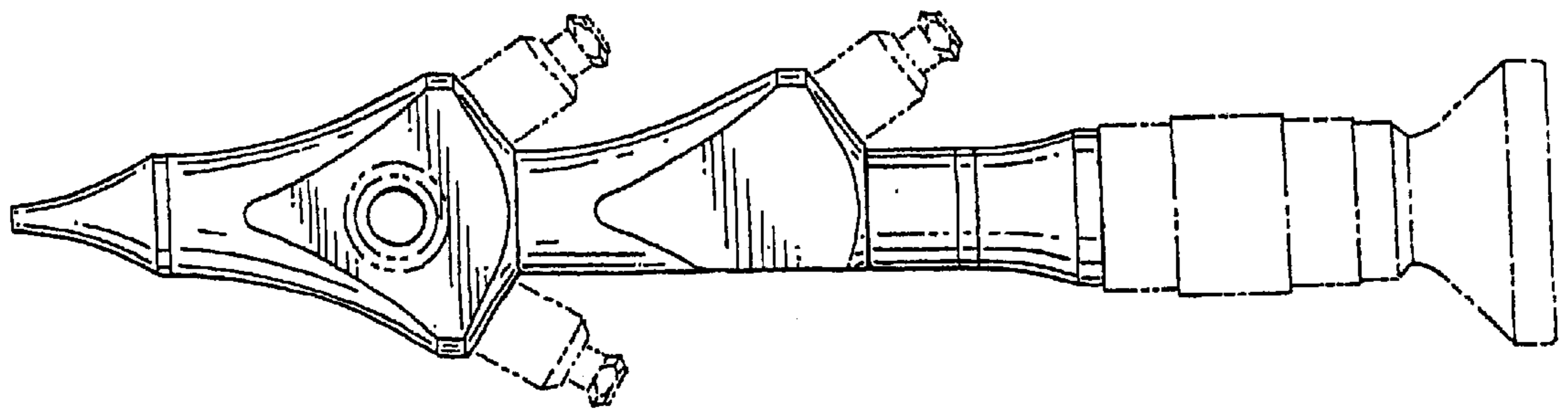


FIG. 9

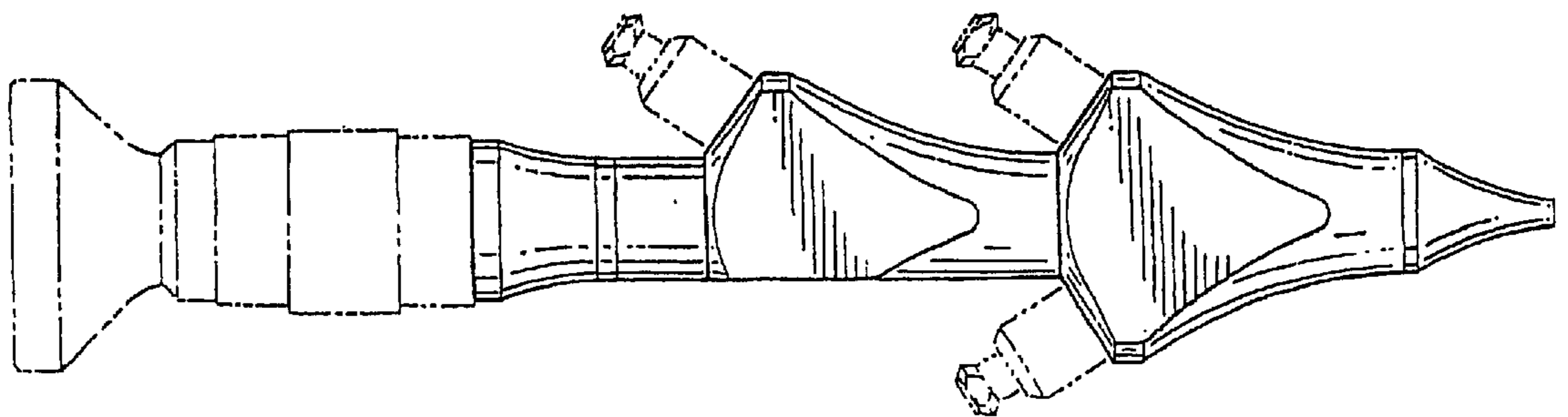


FIG. 10

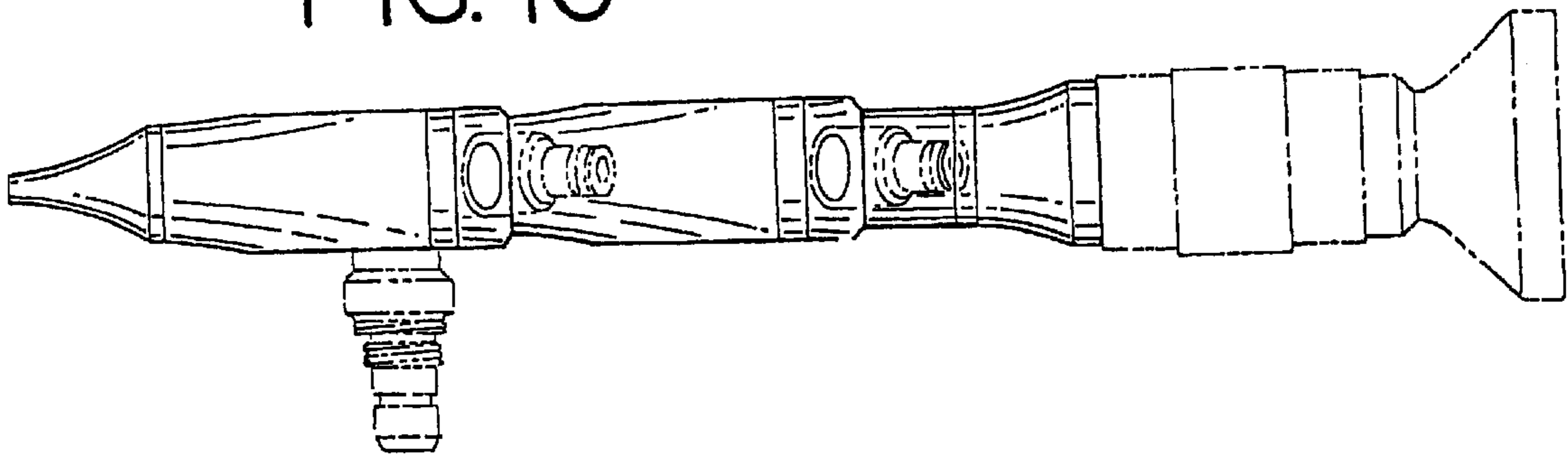


FIG. 11

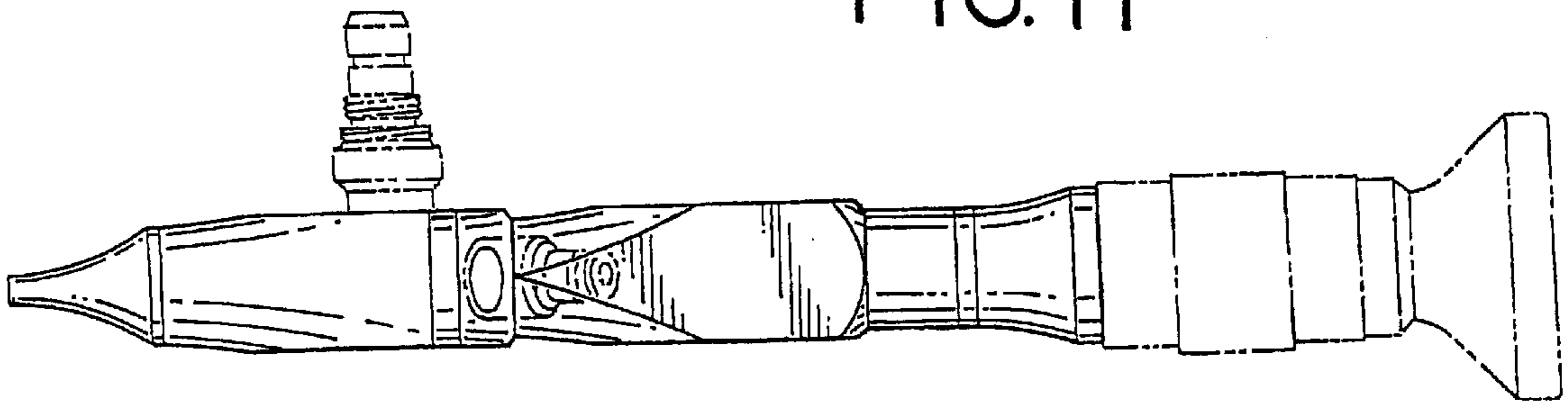


FIG. 12

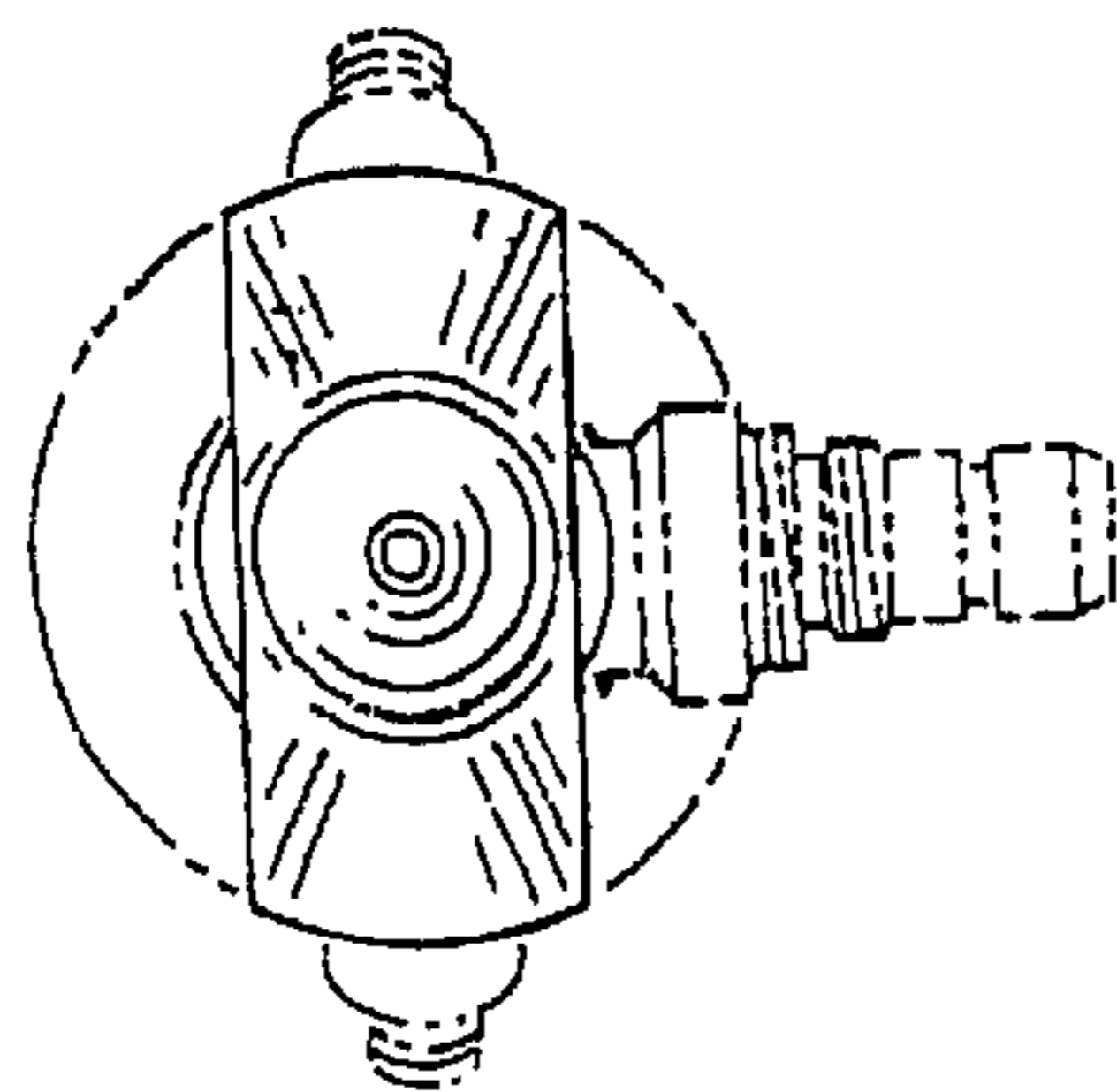


FIG. 13

