



US00D454631S

(12) **United States Design Patent**  
**Steiner**

(10) **Patent No.:** **US D454,631 S**

(45) **Date of Patent:** **\*\* \*Mar. 19, 2002**

(54) **TENNIS BALL SPORTS PORTABLE FAN**

D349,954 S \* 8/1994 Steiner ..... D23/379  
D394,501 S \* 5/1998 Bloom ..... D23/379

(76) **Inventor:** **Gregory A. Steiner**, 7 S 550 Donwood Dr., Naperville, IL (US) 60567

\* cited by examiner

(\* ) **Notice:** This patent is subject to a terminal disclaimer.

*Primary Examiner*—Lisa Lichtenstein  
(74) *Attorney, Agent, or Firm*—Basil E. Demeur; Alan B. Samlan

(\*\*) **Term:** **14 Years**

(21) **Appl. No.:** **29/128,666**

(57) **CLAIM**

(22) **Filed:** **Aug. 29, 2000**

I claim the ornamental design for a tennis ball sports portable fan, as shown and described.

(51) **LOC (7) Cl.** ..... **23-04**

(52) **U.S. Cl.** ..... **D23/379**

**DESCRIPTION**

(58) **Field of Search** ..... D23/379, 328, D23/370, 378; D9/307; 416/146 R, 95

FIG. 1 is a front elevational view; and,

FIG. 2 is a side elevational view.

(56) **References Cited**

**U.S. PATENT DOCUMENTS**

3,624,939 A \* 12/1971 Gossard ..... D9/307

**1 Claim, 2 Drawing Sheets**

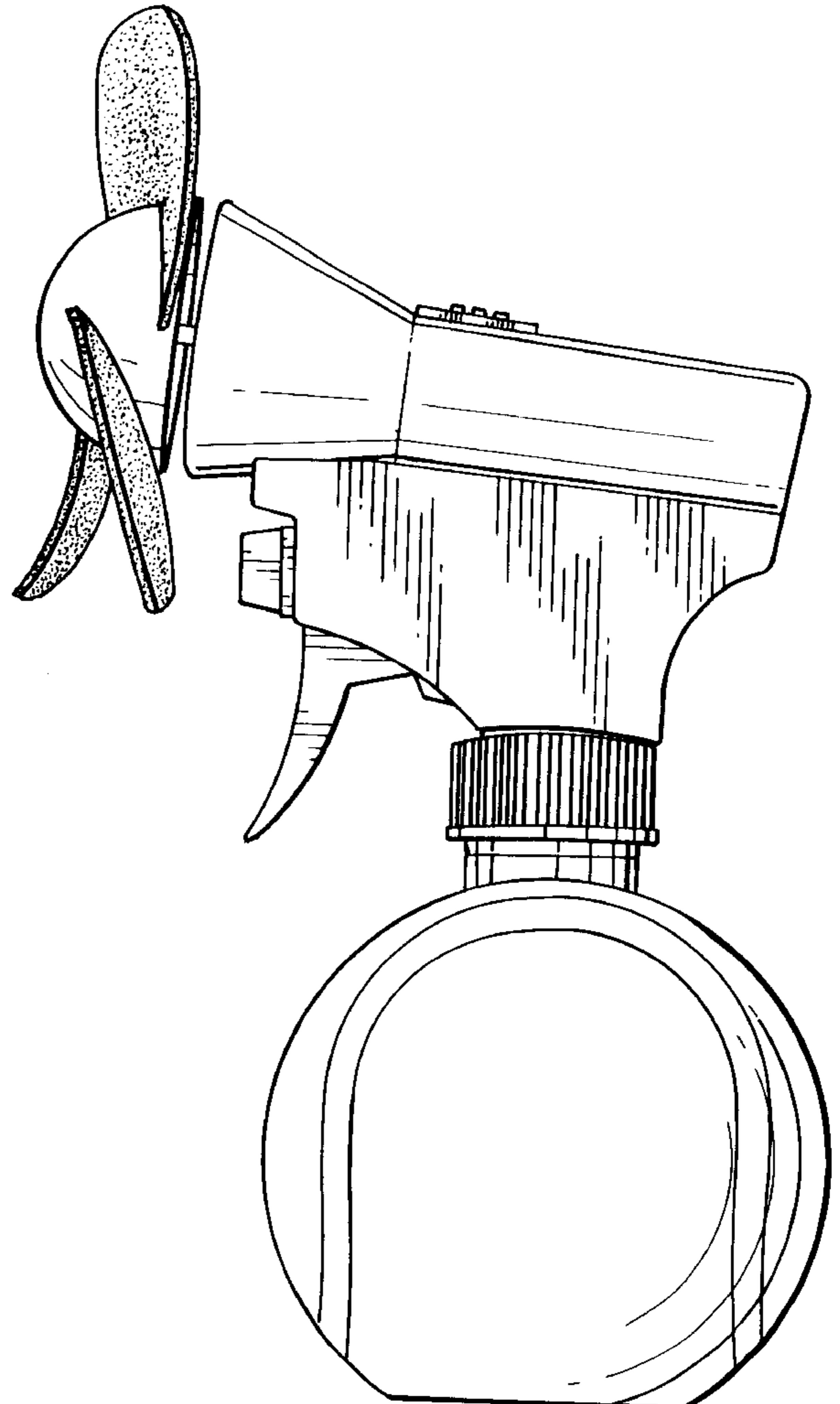
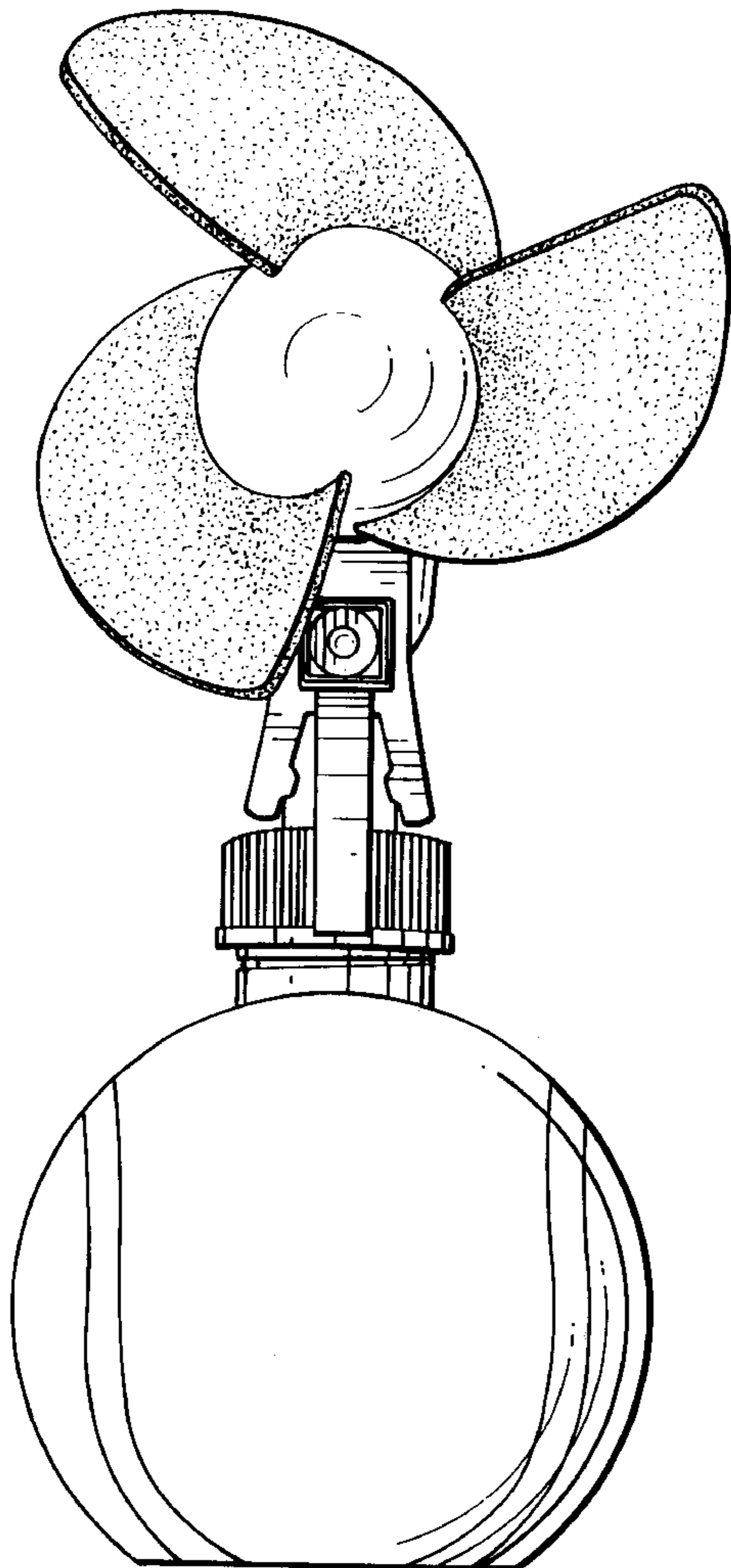


FIG. 1

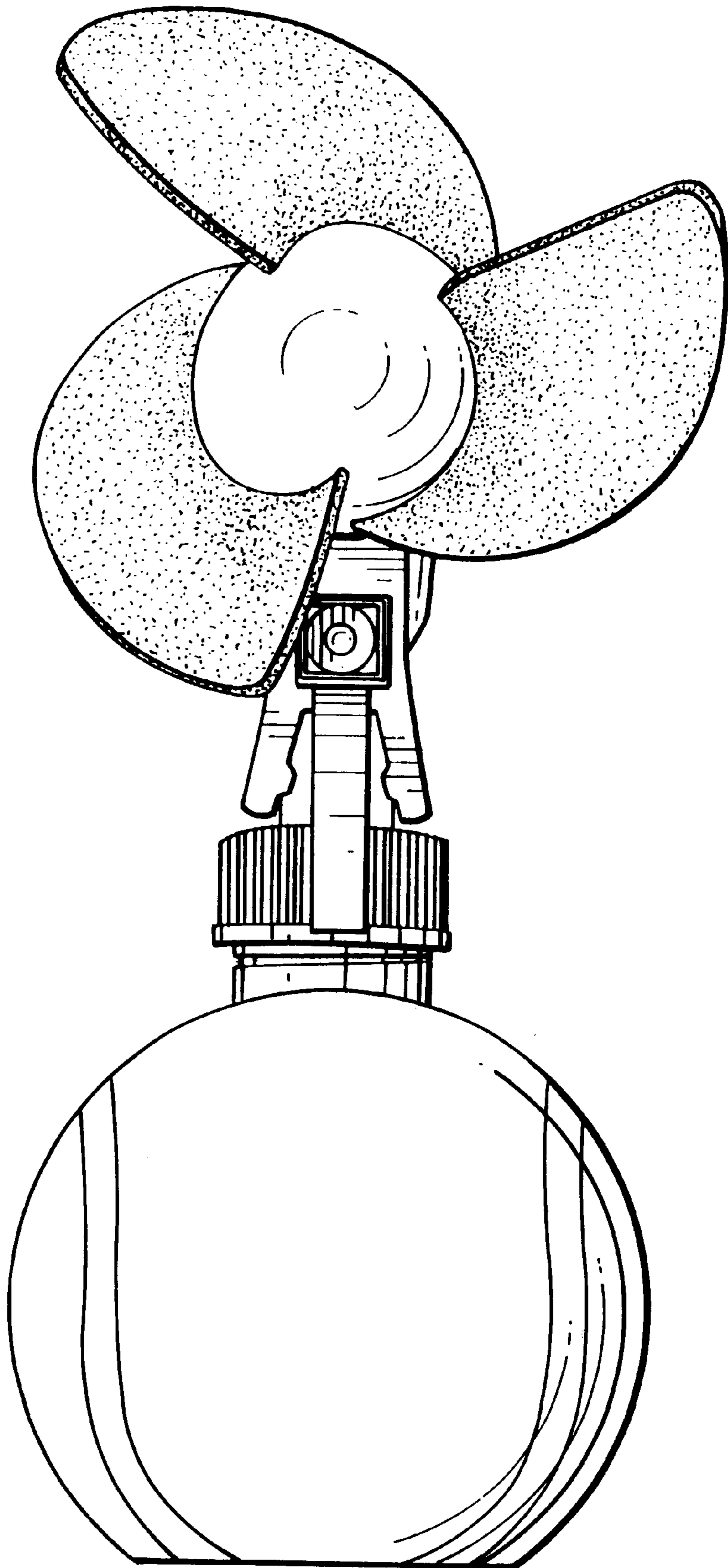


FIG. 2

