



US00D454629S

(12) **United States Design Patent**  
**Zaragoza**

(10) **Patent No.:** **US D454,629 S**

(45) **Date of Patent:** **\*\* Mar. 19, 2002**

(54) **ORNAMENTAL TOP FOR A SCENT DISPERSER**  
(75) Inventor: **Robert Zaragoza**, Woodmere, NY (US)  
(73) Assignee: **ZaragozaZaragoza, Inc.**, New York, NY (US)  
(\*\*) Term: **14 Years**

(21) Appl. No.: **29/146,650**  
(22) Filed: **Aug. 13, 2001**  
(51) **LOC (7) Cl.** ..... **23-04**  
(52) **U.S. Cl.** ..... **D23/367; D26/23**  
(58) **Field of Search** ..... **D23/367, 366; 239/55-59; D26/118, 119, 23**

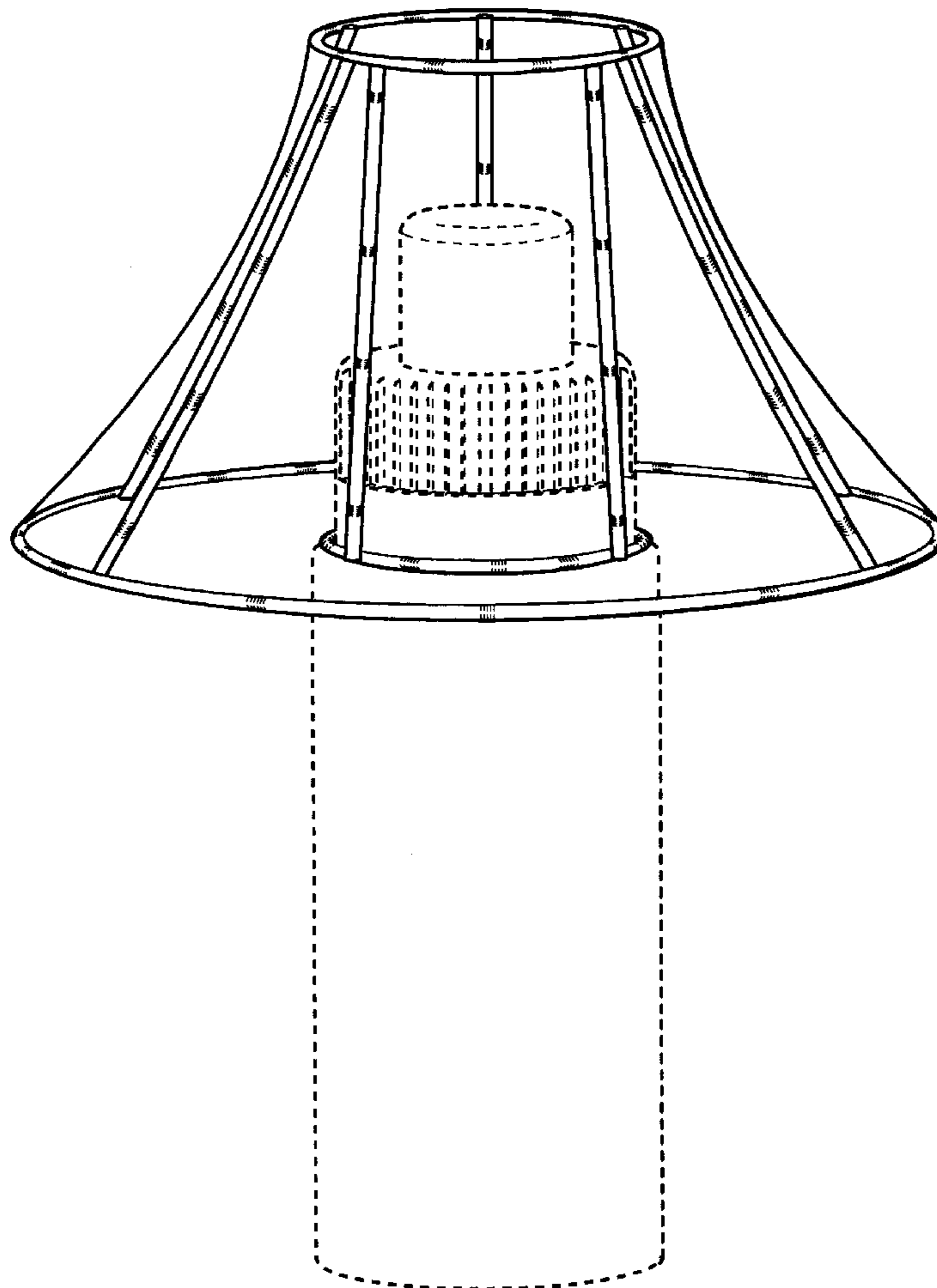
(56) **References Cited**  
**U.S. PATENT DOCUMENTS**  
3,841,533 A \* 10/1974 Carroll et al. .... 222/402.13  
5,230,720 A \* 7/1993 Kendall ..... 55/210  
D353,215 S \* 12/1994 Koch, Jr. .... D26/23

D396,096 S \* 7/1998 Corbitt ..... D23/366  
\* cited by examiner  
*Primary Examiner*—Lisa Lichtenstein  
(74) *Attorney, Agent, or Firm*—Bazerman & Drangel, PC

(57) **CLAIM**  
The ornamental design for ornamental top for a scent disperser, as shown and described.

**DESCRIPTION**  
FIG. 1 is a perspective view of the ornamental top for a scent disperser showing my new design;  
FIG. 2 is a front view of the embodiment shown in FIG. 1, the rear and side views being identical to that shown;  
FIG. 3 is a top view of the embodiment shown in FIG. 1; and,  
FIG. 4 is a bottom view of the embodiment shown in FIG. 1.  
The broken line showing of environmental structure in FIGS. 1-4 is for illustrative purposes only and forms no part of the claimed design.

**1 Claim, 3 Drawing Sheets**



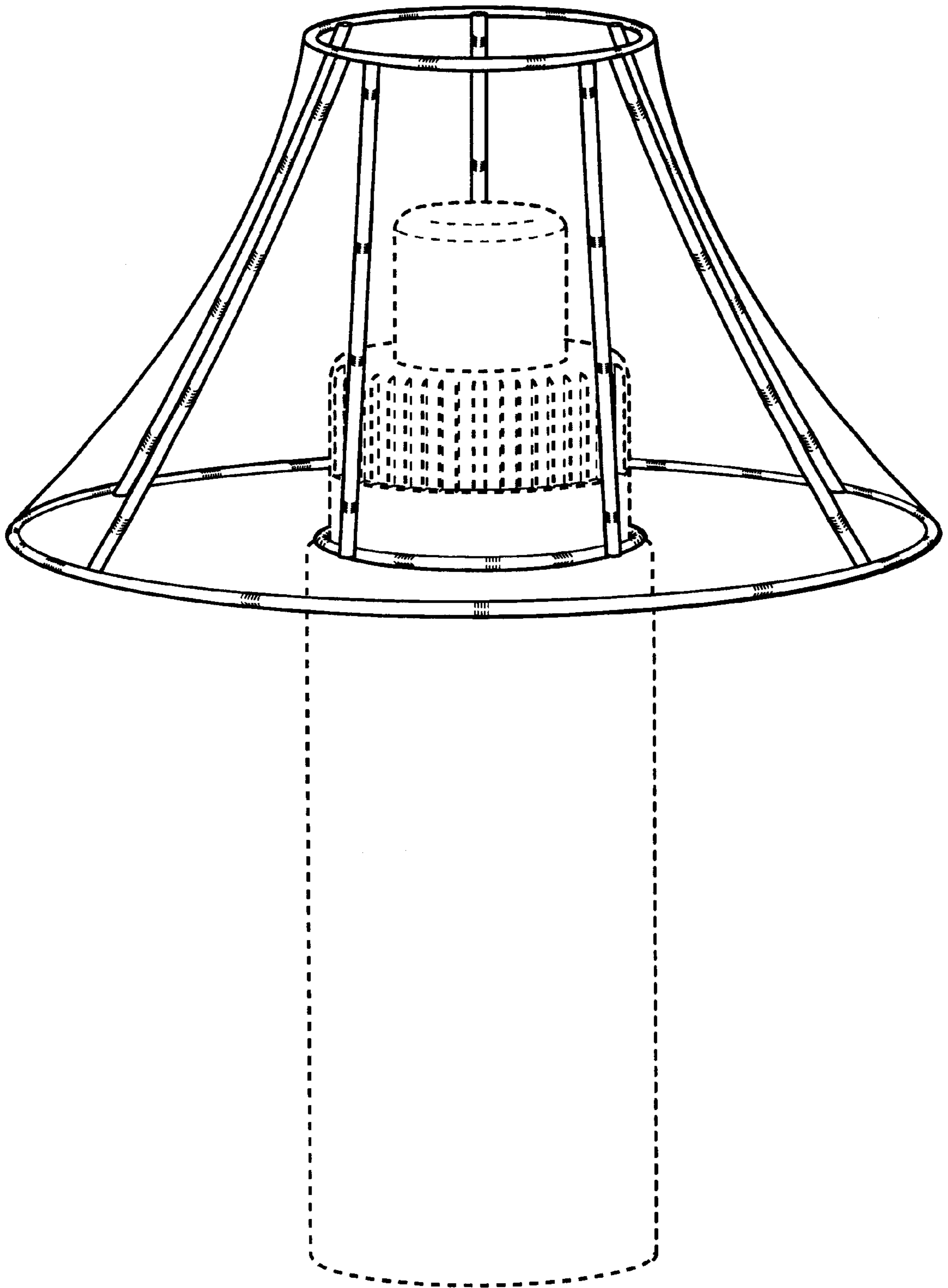


FIG. 1

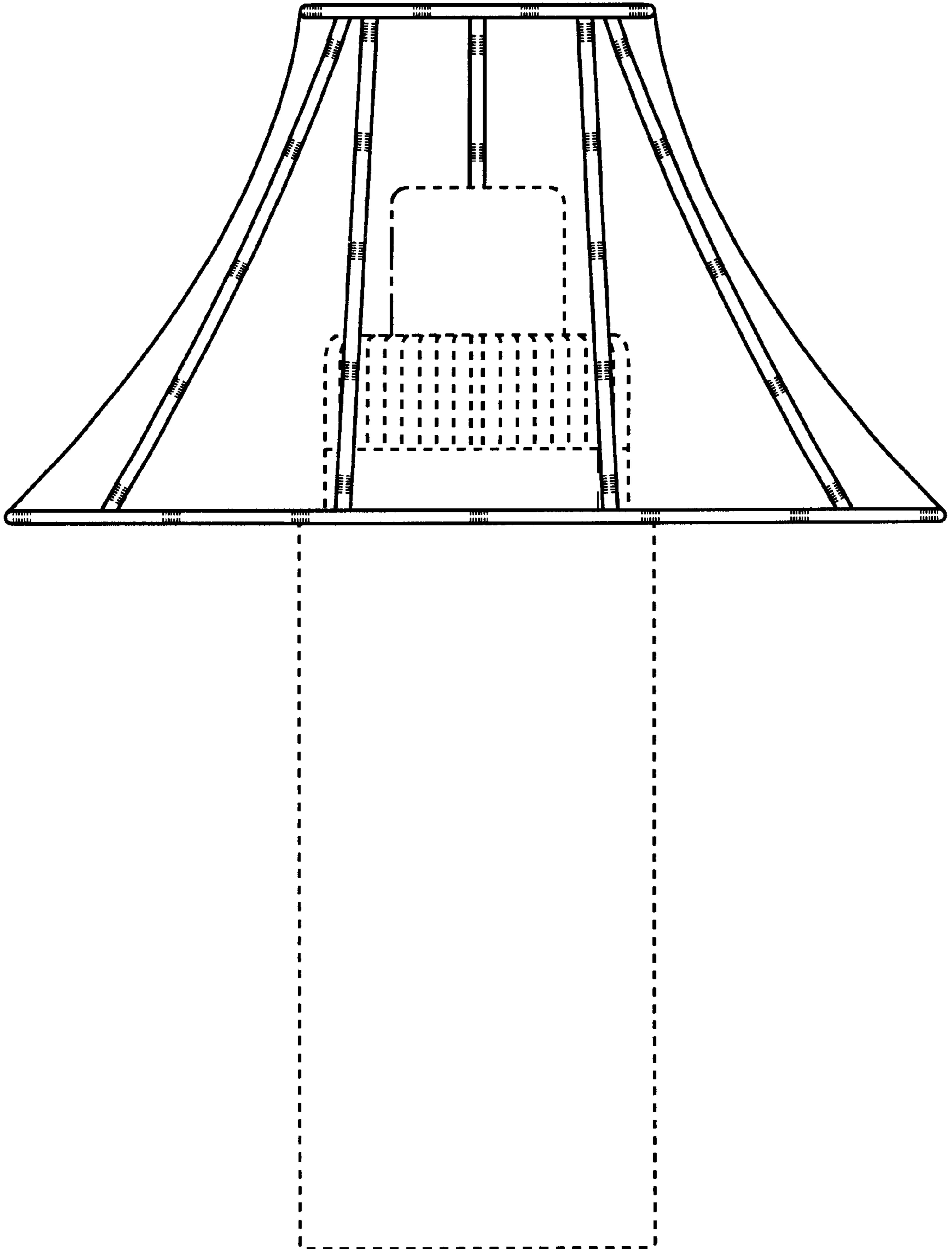


FIG. 2

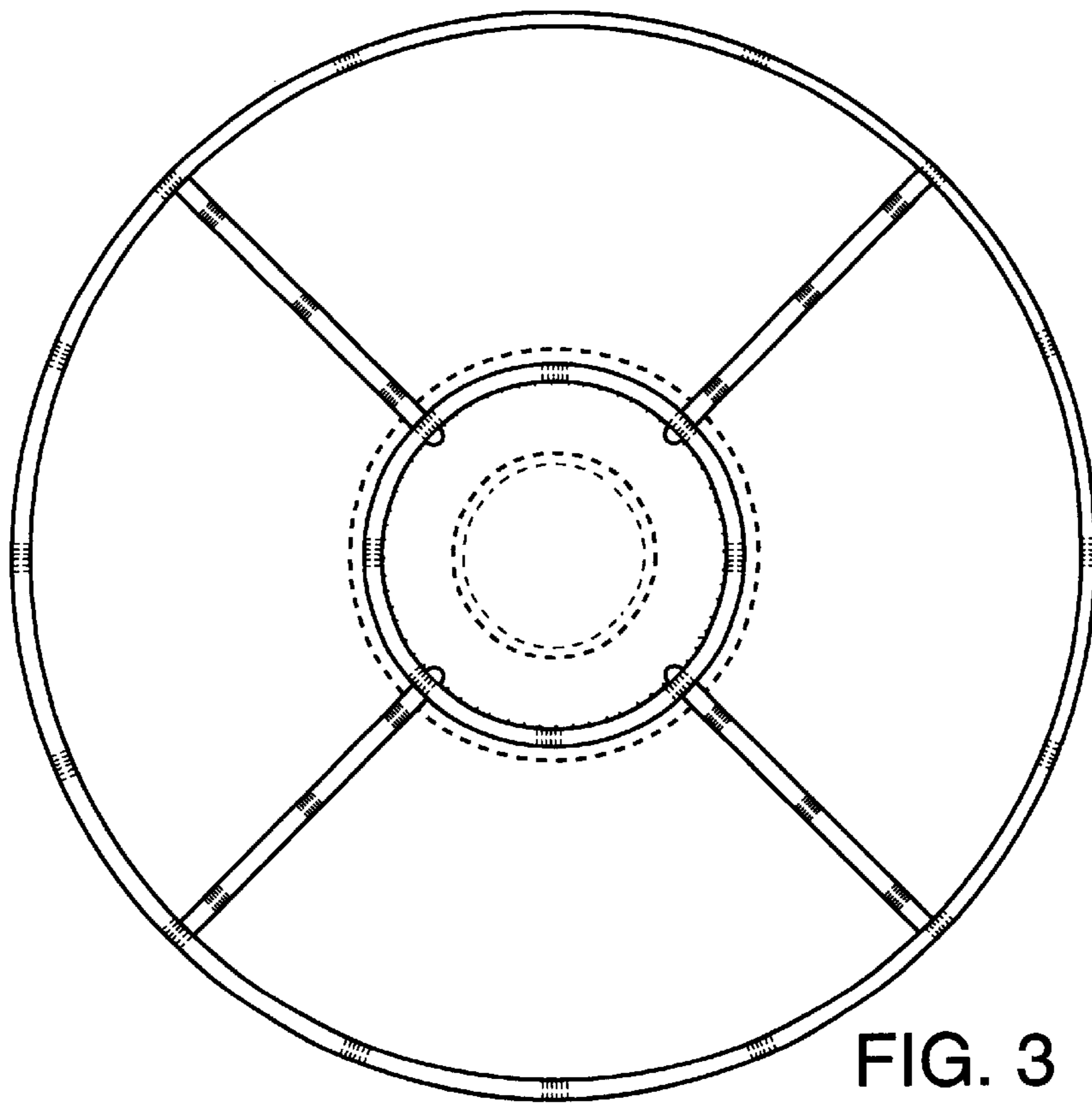


FIG. 3

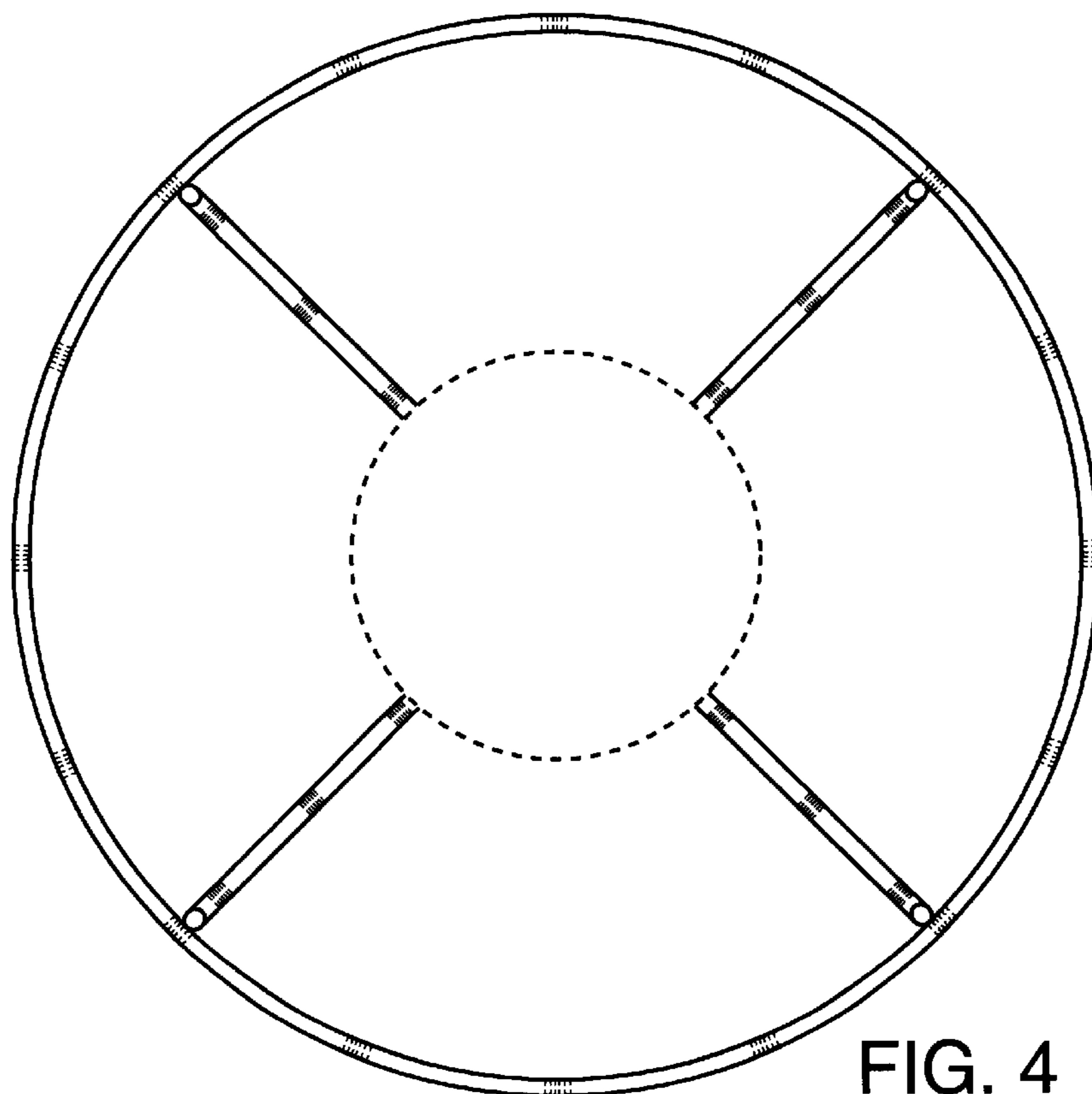


FIG. 4