



US00D454627S

(12) **United States Design Patent**
Pinchuk

(10) **Patent No.:** **US D454,627 S**

(45) **Date of Patent:** **** Mar. 19, 2002**

(54) **AUTOMOBILE AIR PURIFIER**

(75) Inventor: **Rene C. Pinchuk**, Kensington, CA (US)

(73) Assignee: **Sharper Image Corporation**, San Francisco, CA (US)

(**) Term: **14 Years**

(21) Appl. No.: **29/140,821**

(22) Filed: **Apr. 24, 2001**

(51) **LOC (7) Cl.** **23-04**

(52) **U.S. Cl.** **D23/364**

(58) **Field of Search** D23/364; 55/385.3

(56) **References Cited**

U.S. PATENT DOCUMENTS

D314,044 S * 1/1991 Montanari D23/366

D418,213 S * 12/1999 Colandra D23/366

OTHER PUBLICATIONS

Sharper Image, *Auto Air Ionizer* Product Package.
Sharper Image, *Auto Breeze Car Air Purifier* Product Package.

Sharper Image Corporation, *The Sharper Image Catalog*, Feb. 1996.

Sharper Image Corporation, *The Sharper Image Catalog*, May 2000.

* cited by examiner

Primary Examiner—Lisa Lichtenstein

(74) *Attorney, Agent, or Firm*—Fliesler Dubb Meyer & Lovejoy LLP

(57) **CLAIM**

The ornamental design for a automobile air purifier, as shown.

DESCRIPTION

FIG. 1 is a front perspective view, showing the adapter cover open for illustration only, of a automobile air purifier showing my new design;

FIG. 2 is a side view showing the adapter cover open for illustration only thereof;

FIG. 3 is a bottom view showing the adapter cover open for illustration only thereof;

FIG. 4 is a front view showing the adapter cover open for illustration only thereof;

FIG. 5 is a front perspective view thereof;

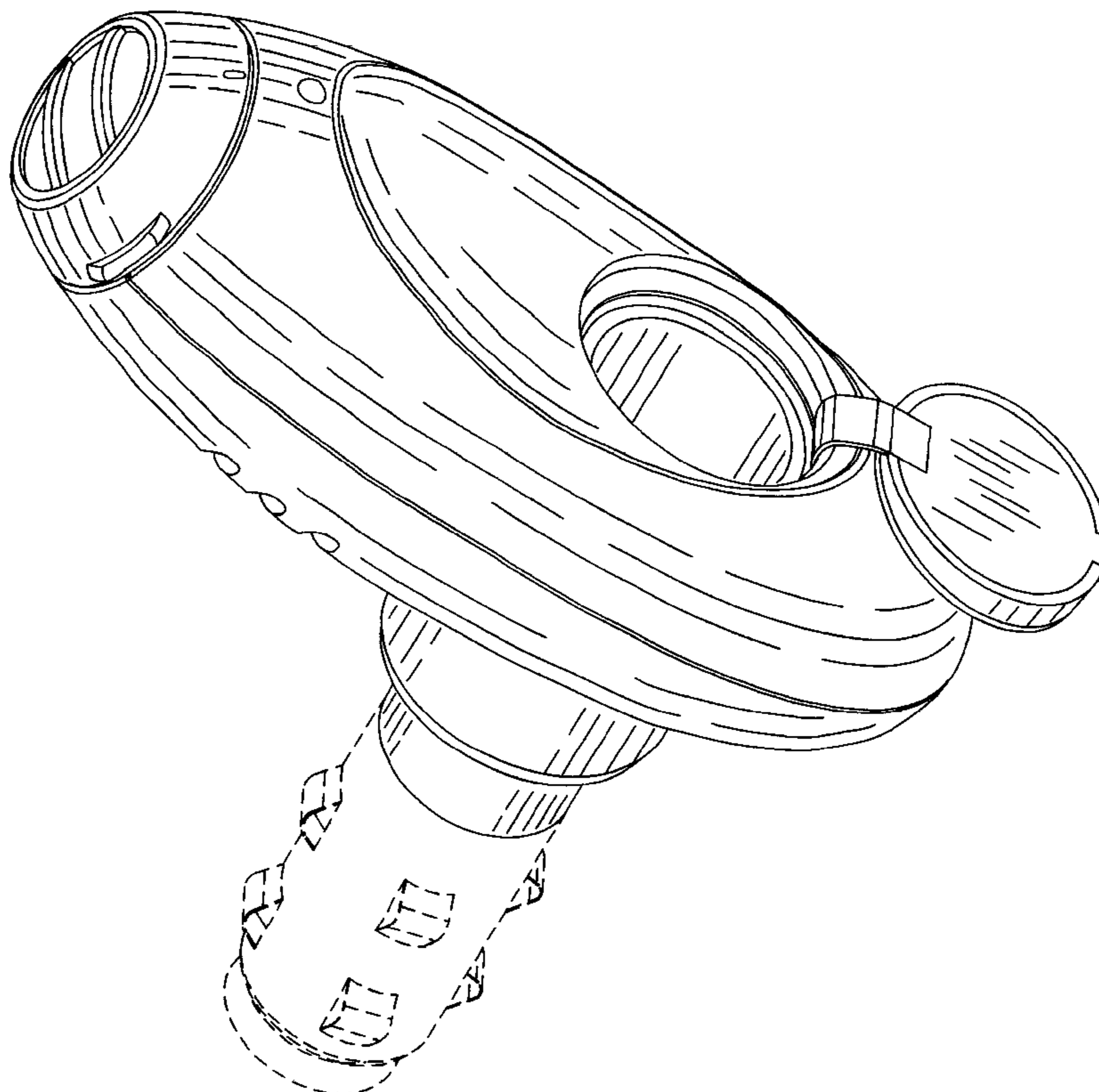
FIG. 6 is a side view thereof;

FIG. 7 is a bottom view thereof; and,

FIG. 8 is a front view thereof.

The plug is shown in broken lines for illustrative purposes only and forms no part of the claimed design.

1 Claim, 7 Drawing Sheets



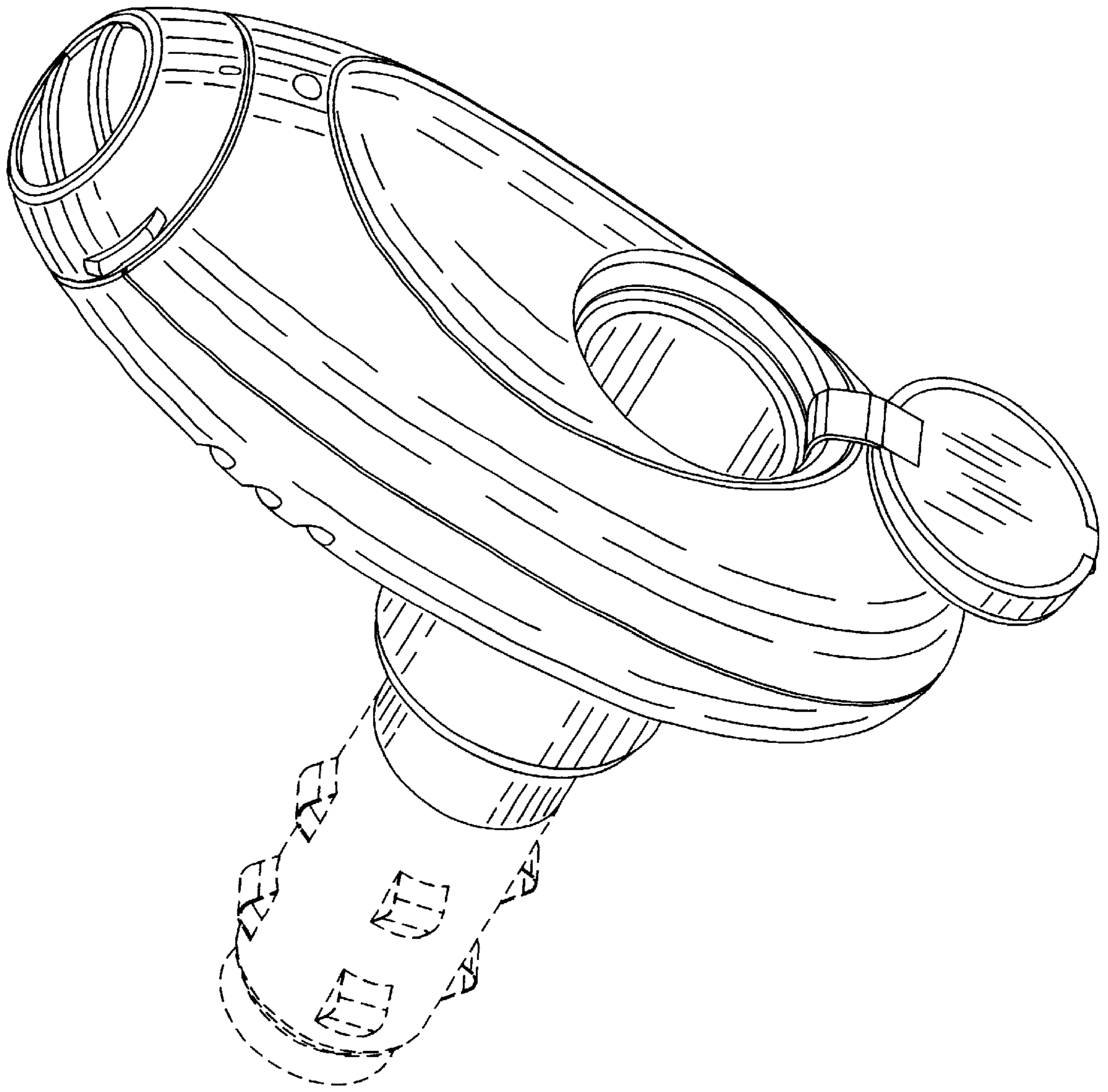


FIG. - 1

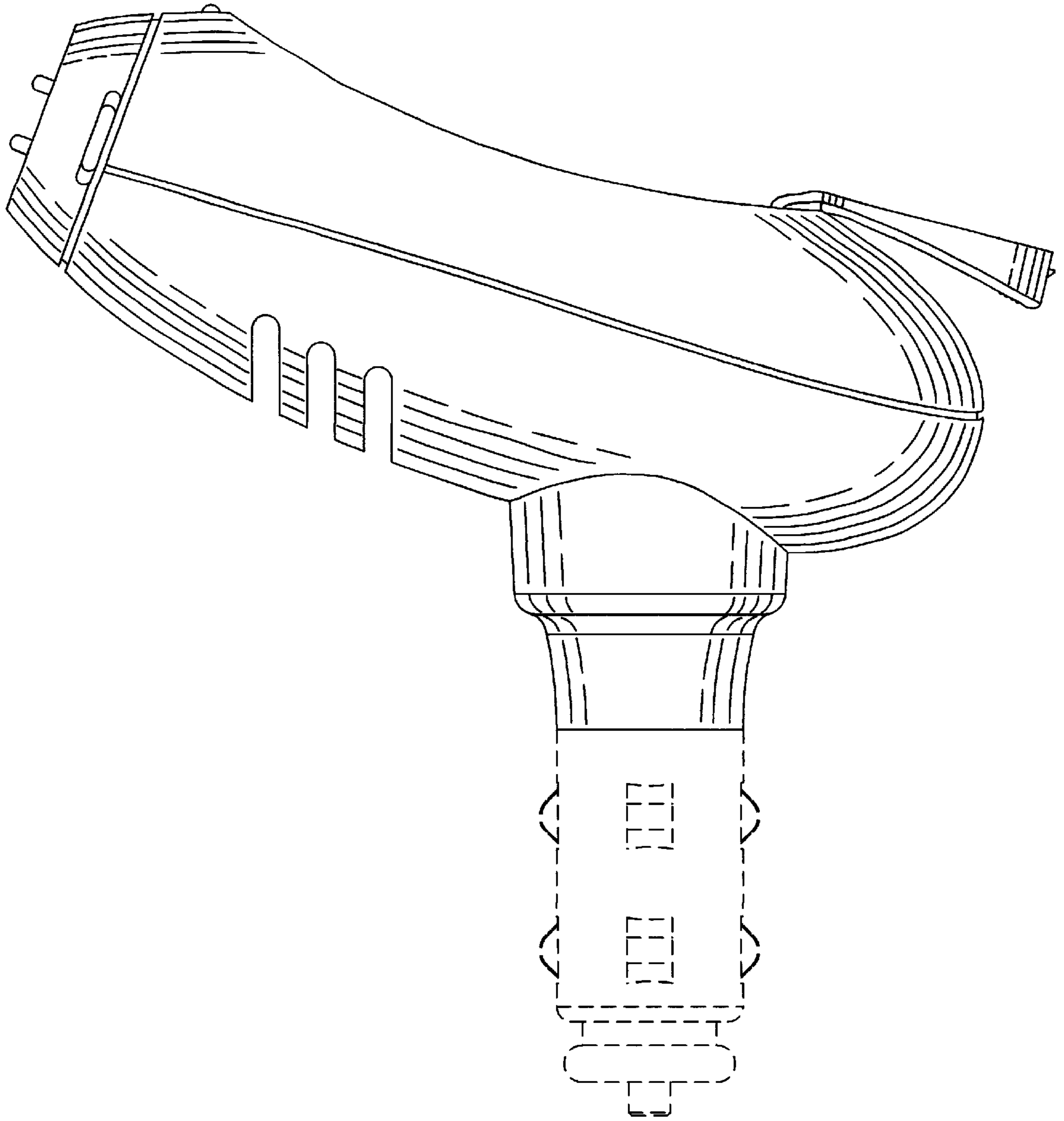


FIG. - 2

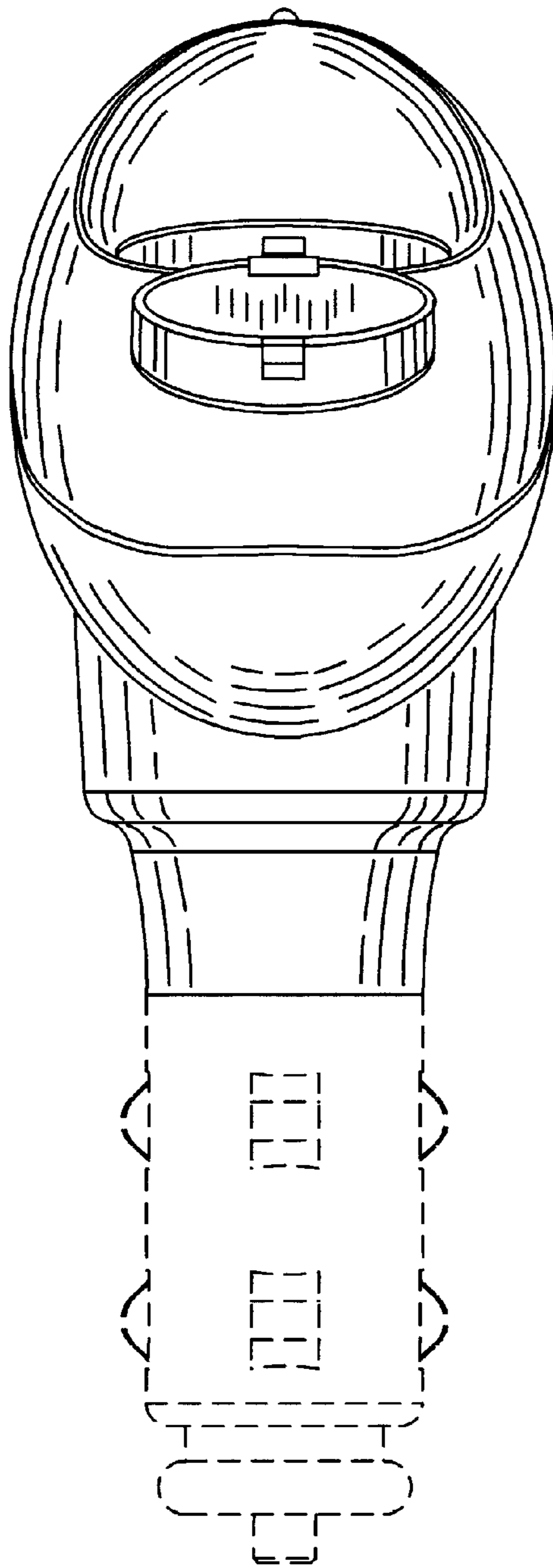


FIG. - 3

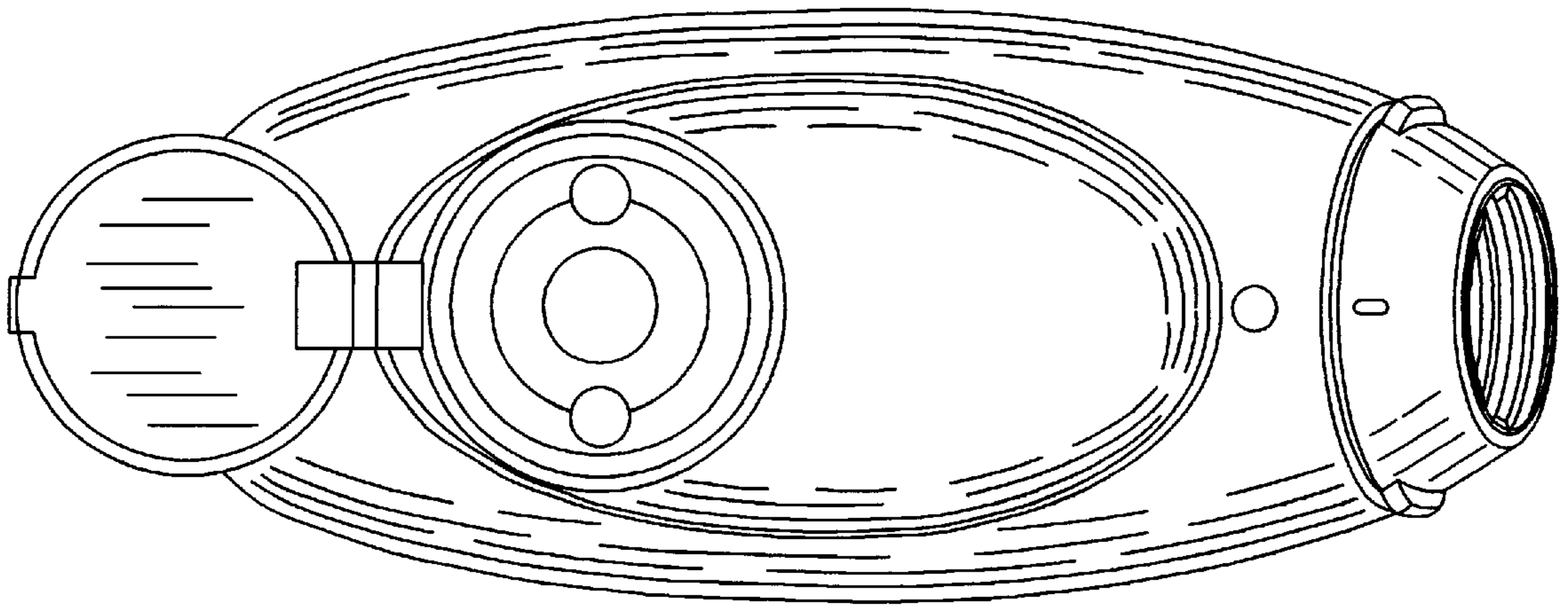


FIG. - 4

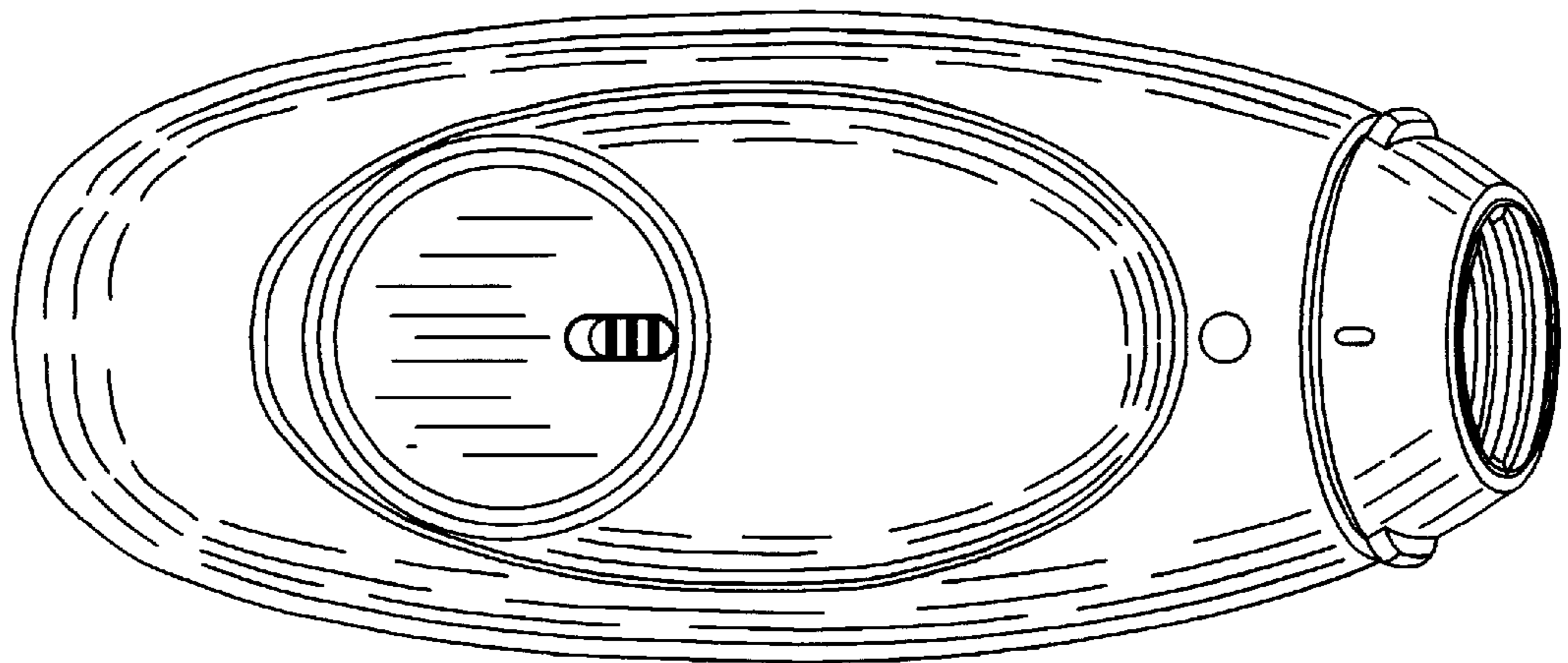


FIG. - 8

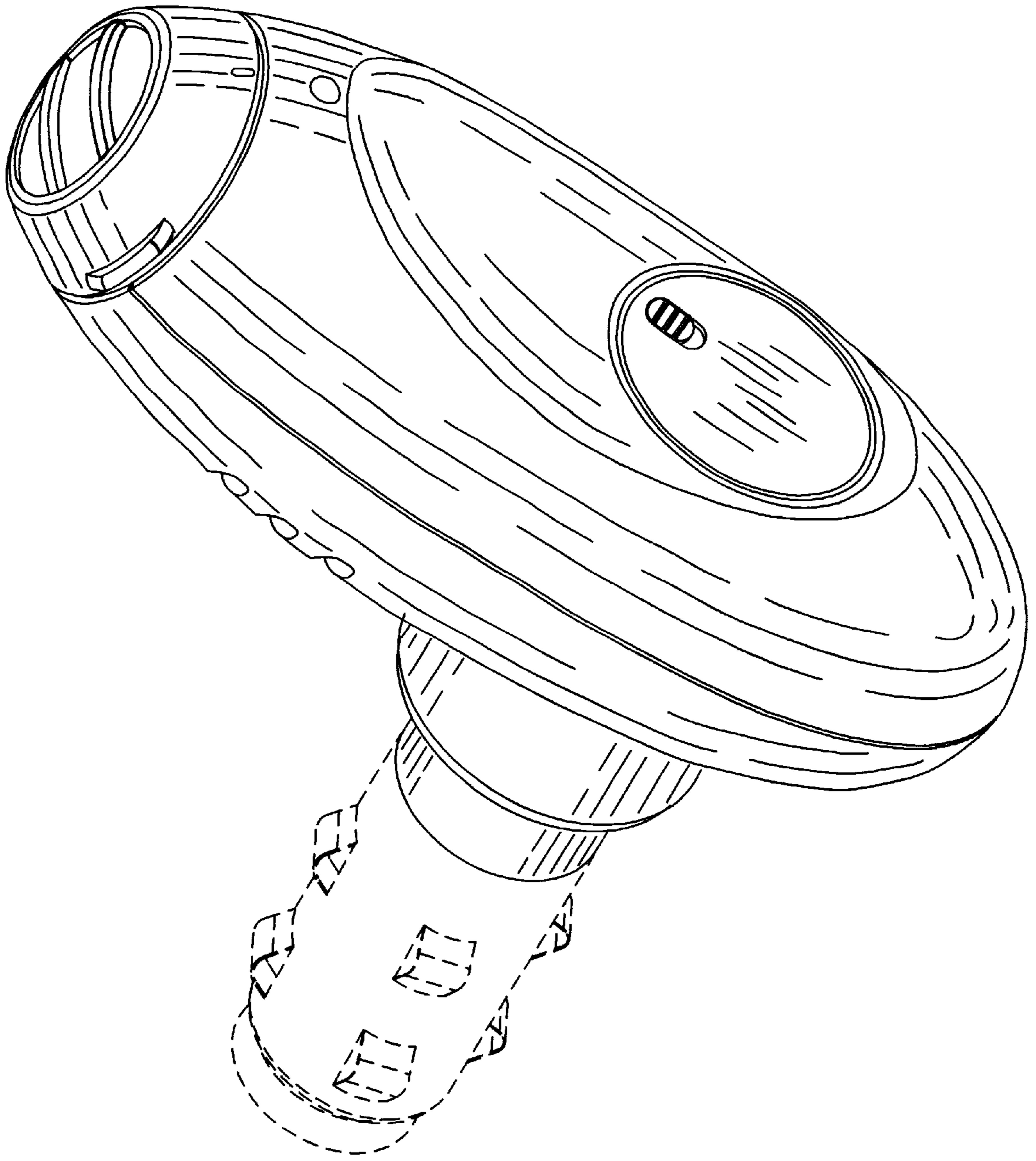


FIG. - 5

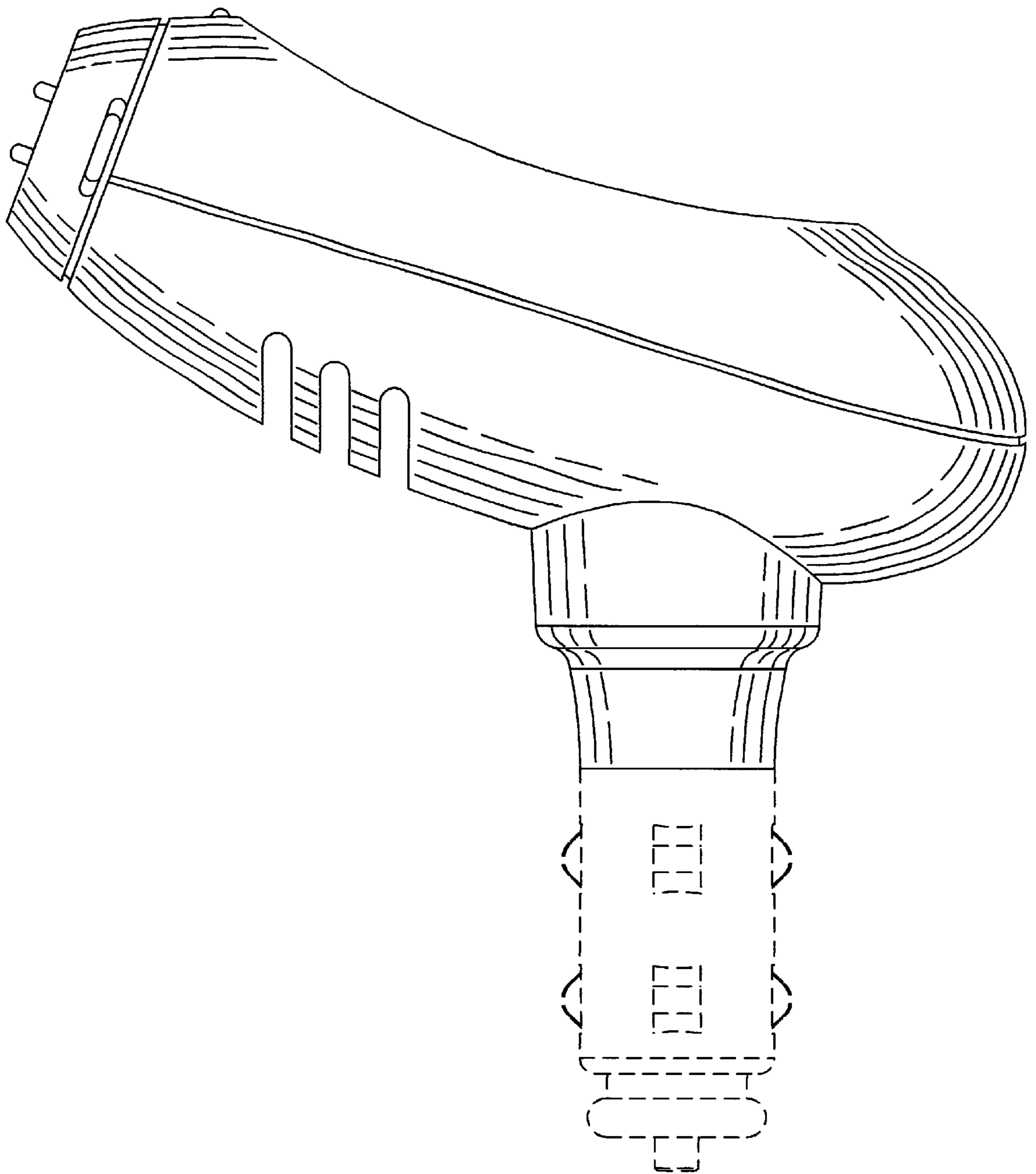


FIG. - 6

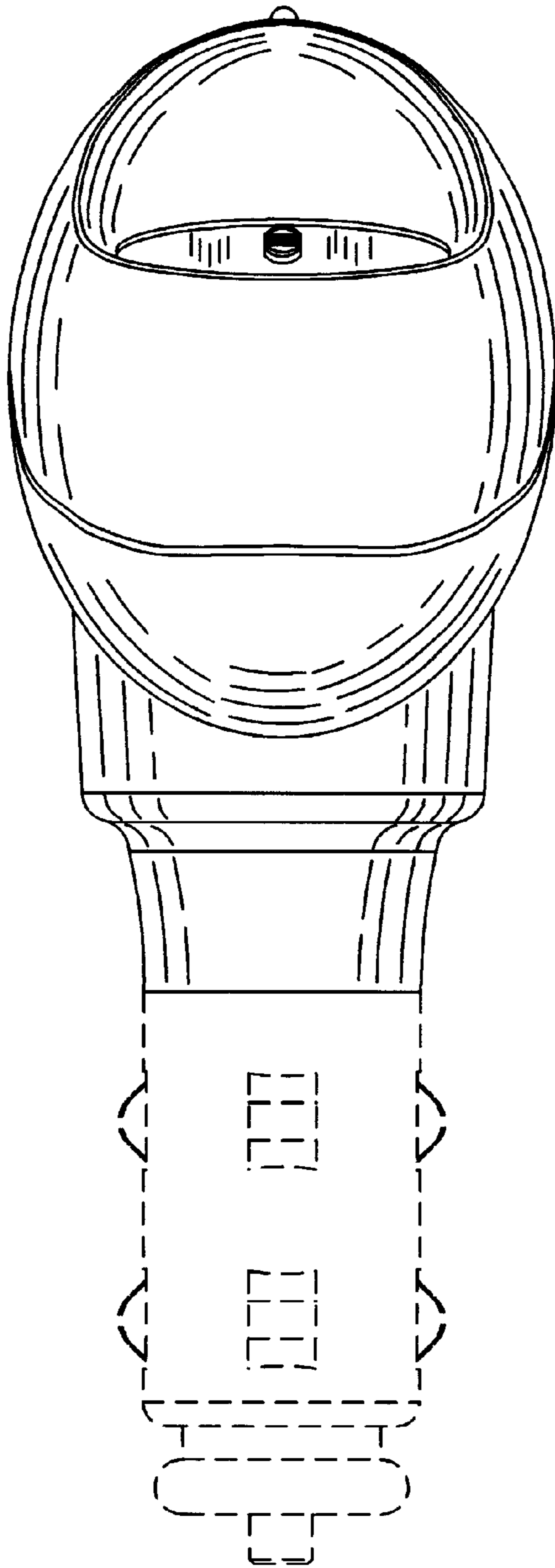


FIG. - 7