



US00D454625S

(12) **United States Design Patent**
Flanagan

(10) **Patent No.:** **US D454,625 S**

(45) **Date of Patent:** **** Mar. 19, 2002**

(54) **COVER FOR A TRANSPORT TEMPERATURE CONTROL UNIT**

(75) Inventor: **Thomas A. Flanagan**, St. Louis Park, MN (US)

(73) Assignee: **Thermo King Corporation**, Minneapolis, MN (US)

(**) Term: **14 Years**

(21) Appl. No.: **29/128,989**

(22) Filed: **Aug. 31, 2000**

(51) **LOC (7) Cl.** **23-04**

(52) **U.S. Cl.** **D23/325**

(58) **Field of Search** D23/325; D12/181; 296/180.4; 62/239, 259.1, 263

(56) **References Cited**

U.S. PATENT DOCUMENTS

- 4,551,986 A * 11/1985 Anderson et al.
- D287,619 S * 1/1987 Allard et al.
- D323,552 S * 1/1992 Baldwin et al.
- D343,894 S * 2/1994 Anderson et al.
- 5,678,512 A * 10/1997 Colton
- 5,916,235 A * 6/1999 Amr et al.
- D428,480 S * 7/2000 Flanagan
- D437,396 S * 2/2001 Flanagan

* cited by examiner

Primary Examiner—B. J. Bullock

(74) *Attorney, Agent, or Firm*—Michael Best & Friedrich LLP

(57) **CLAIM**

The ornamental design for a cover for a transport temperature control unit, as shown and described.

DESCRIPTION

FIG. 1 is a perspective view of a cover for a transport temperature control unit;

FIG. 2 is a perspective view of a cover for a transport temperature control unit;

FIG. 3 is a perspective view of a cover for a transport temperature control unit;

FIG. 4 is a perspective view of a cover for a transport temperature control unit;

FIG. 5 is a front elevational view of a cover for a transport temperature control unit;

FIG. 6 is a rear elevational view of a cover for a transport temperature control unit;

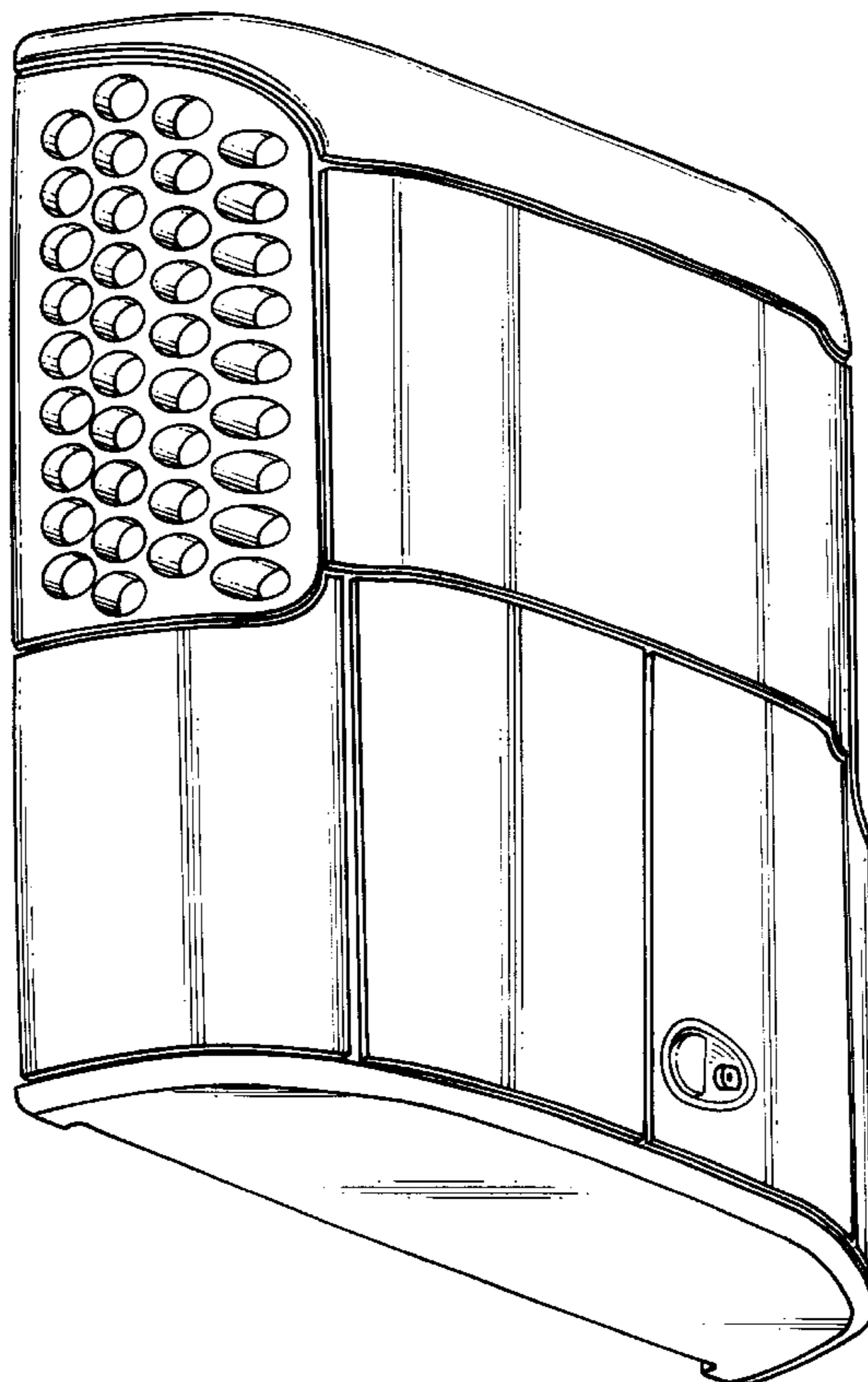
FIG. 7 is a right side view of a cover for a transport temperature control unit;

FIG. 8 is a left side view of a cover for a transport temperature control unit;

FIG. 9 is a top plan view of a cover for a transport temperature control unit; and,

FIG. 10 is a bottom plan view of a cover for a transport temperature control unit.

1 Claim, 10 Drawing Sheets



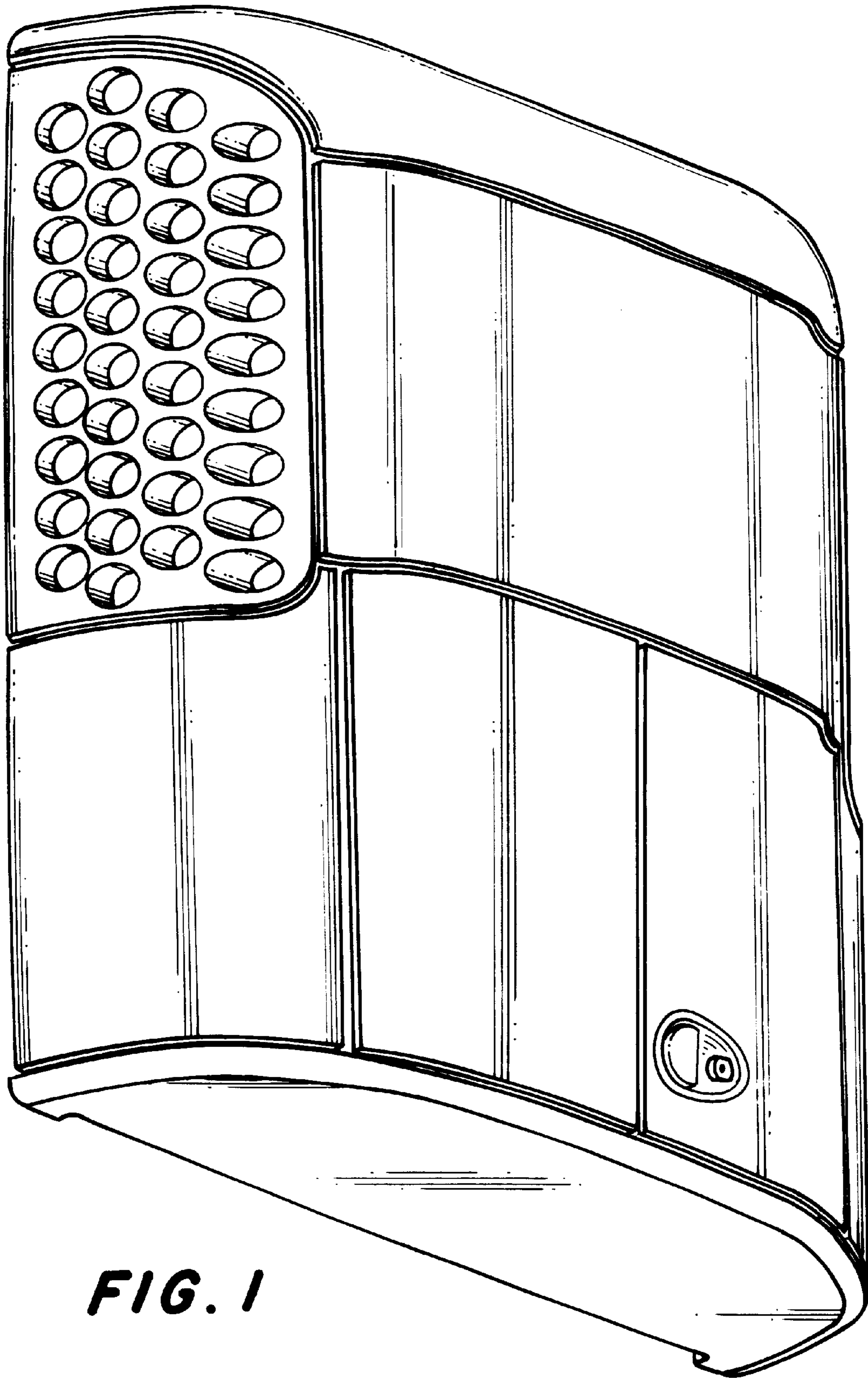


FIG. 1

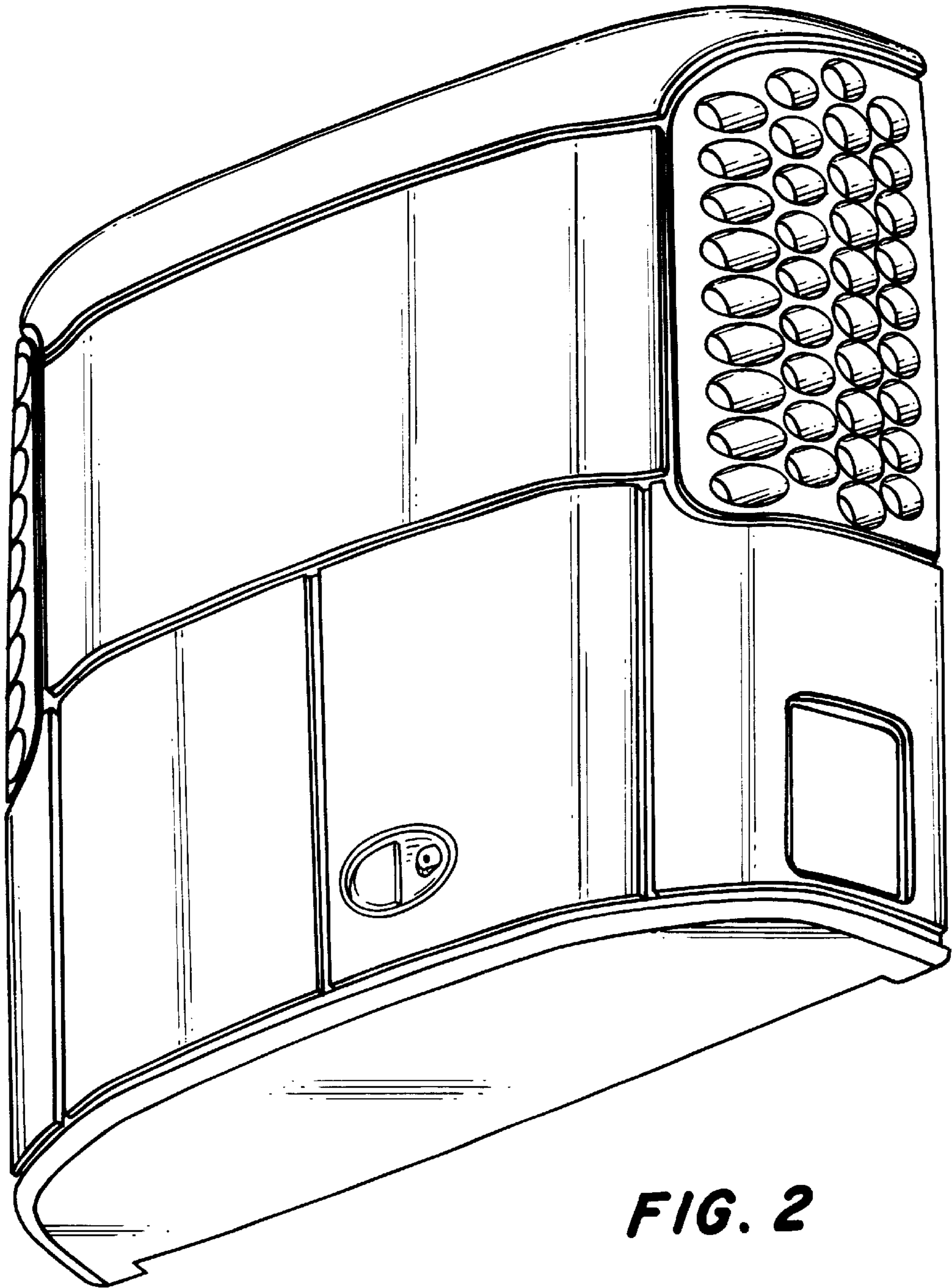


FIG. 2

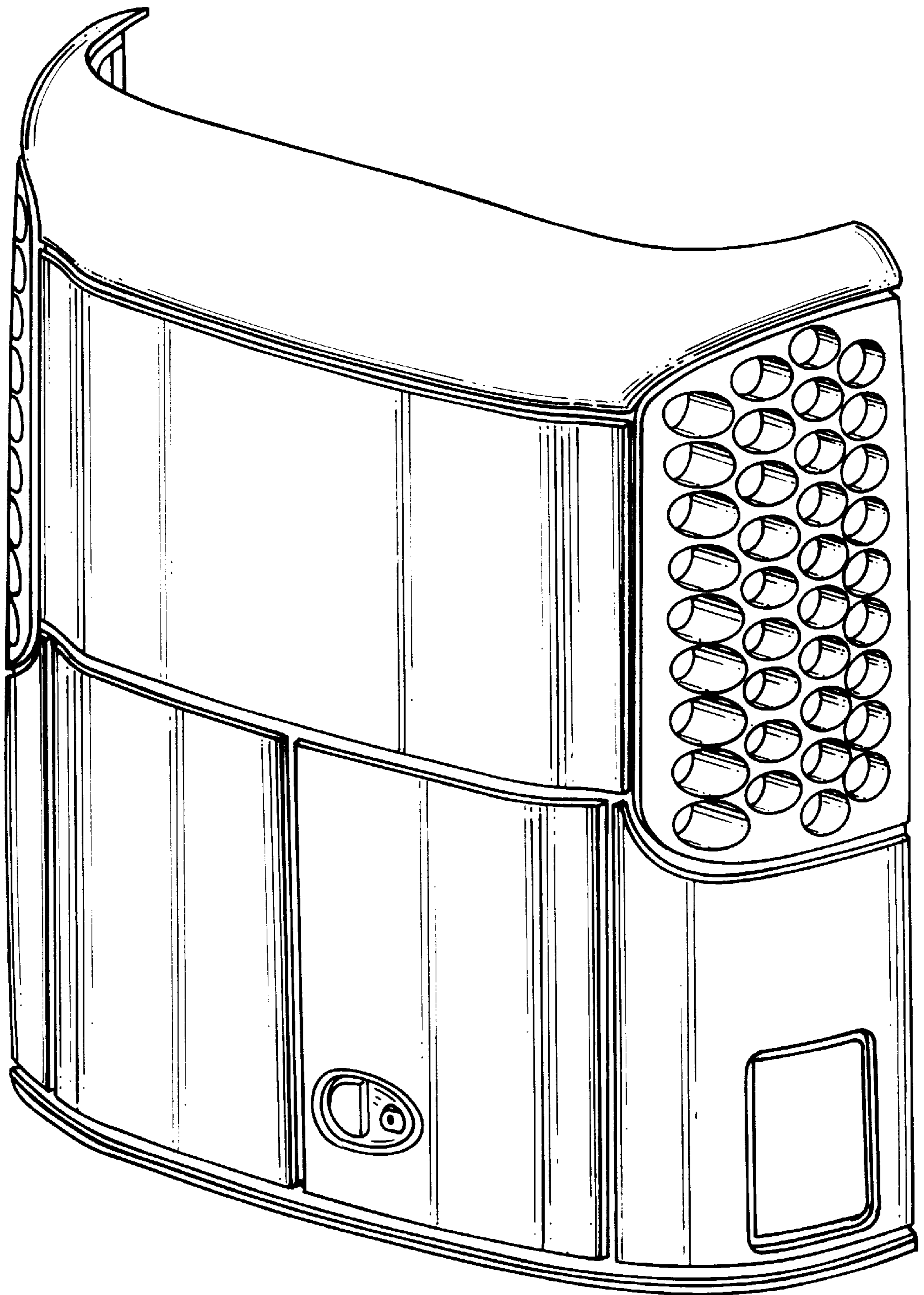


FIG. 3

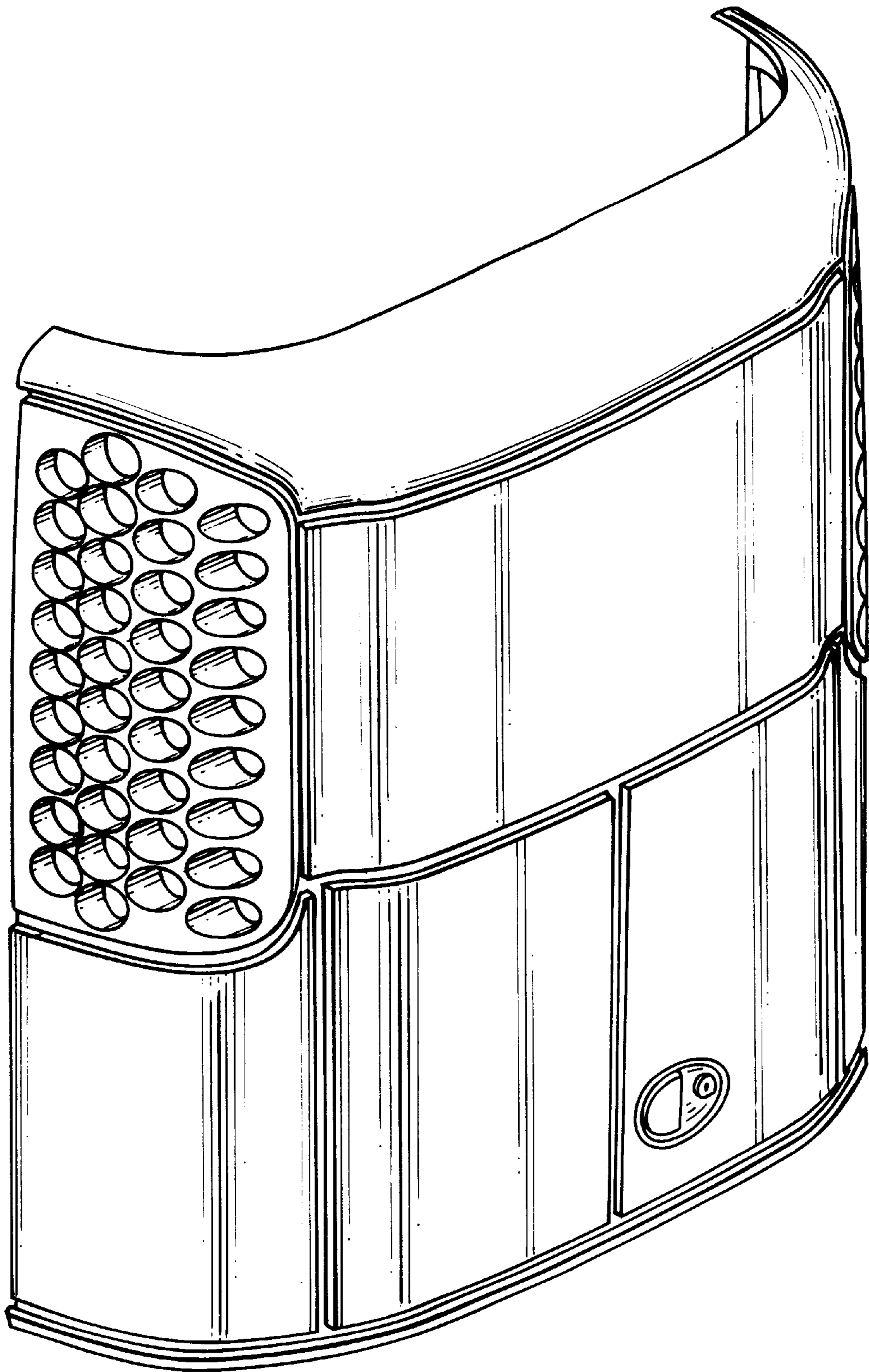


FIG. 4

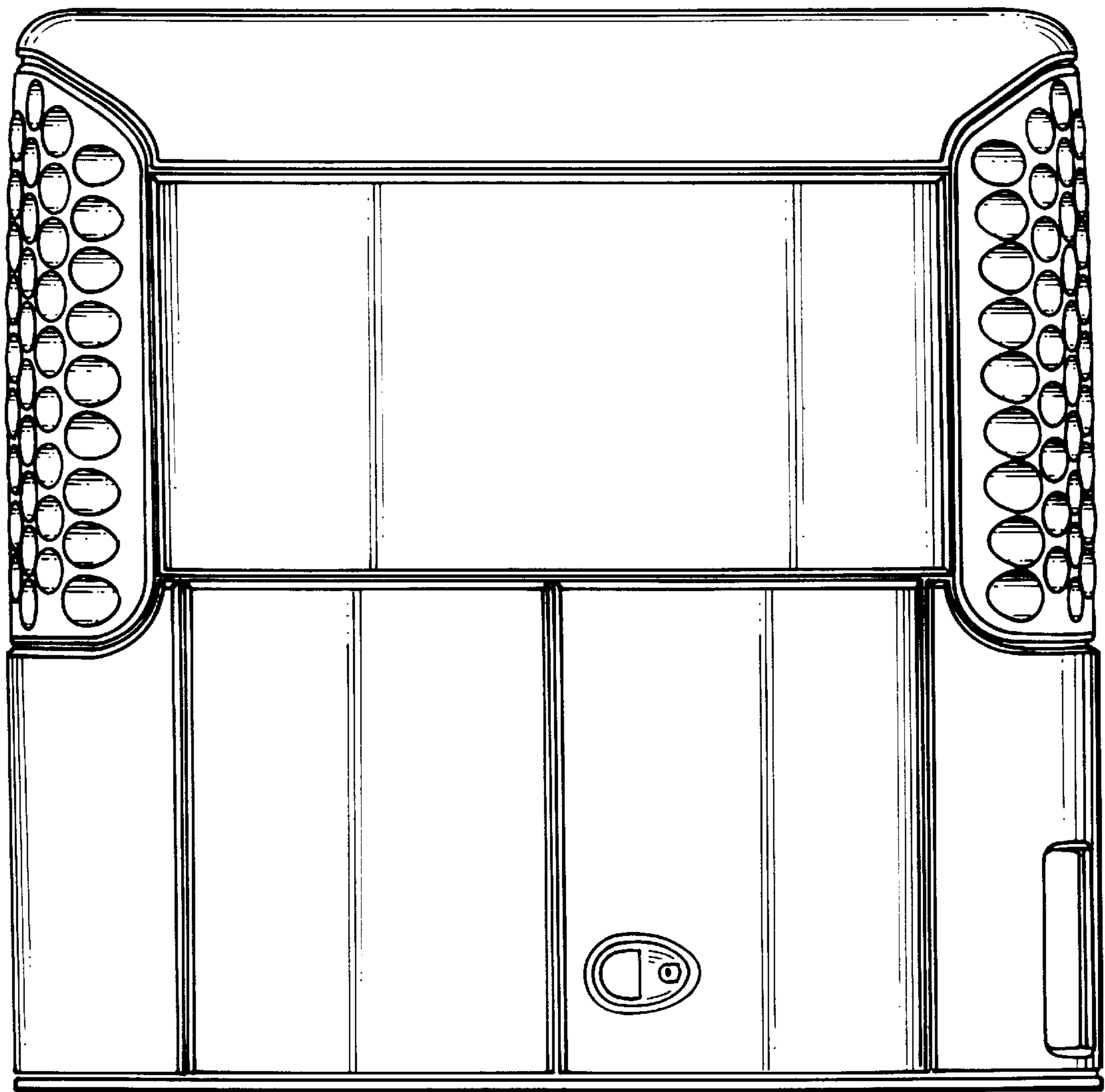


FIG. 5

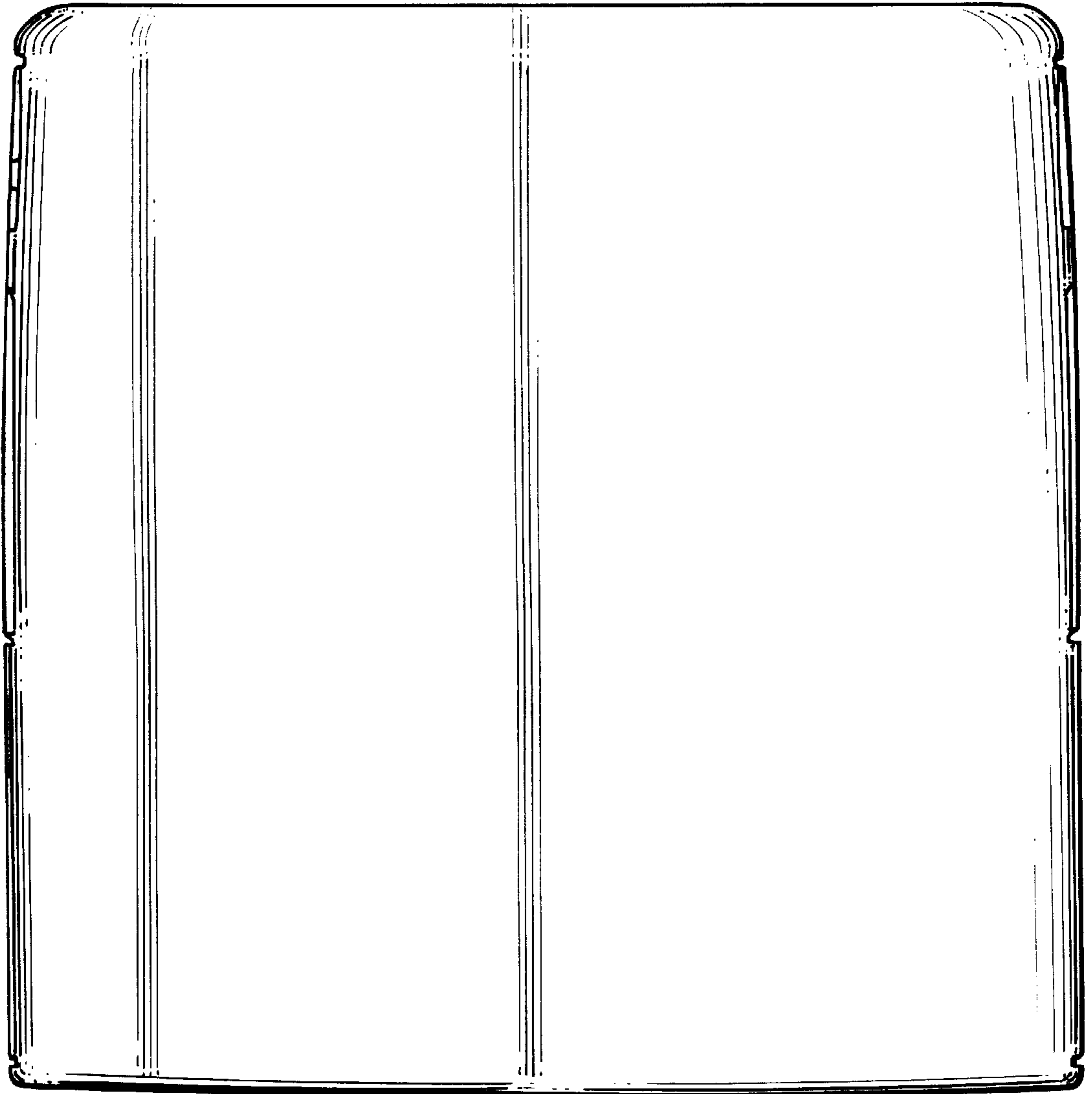


FIG. 6

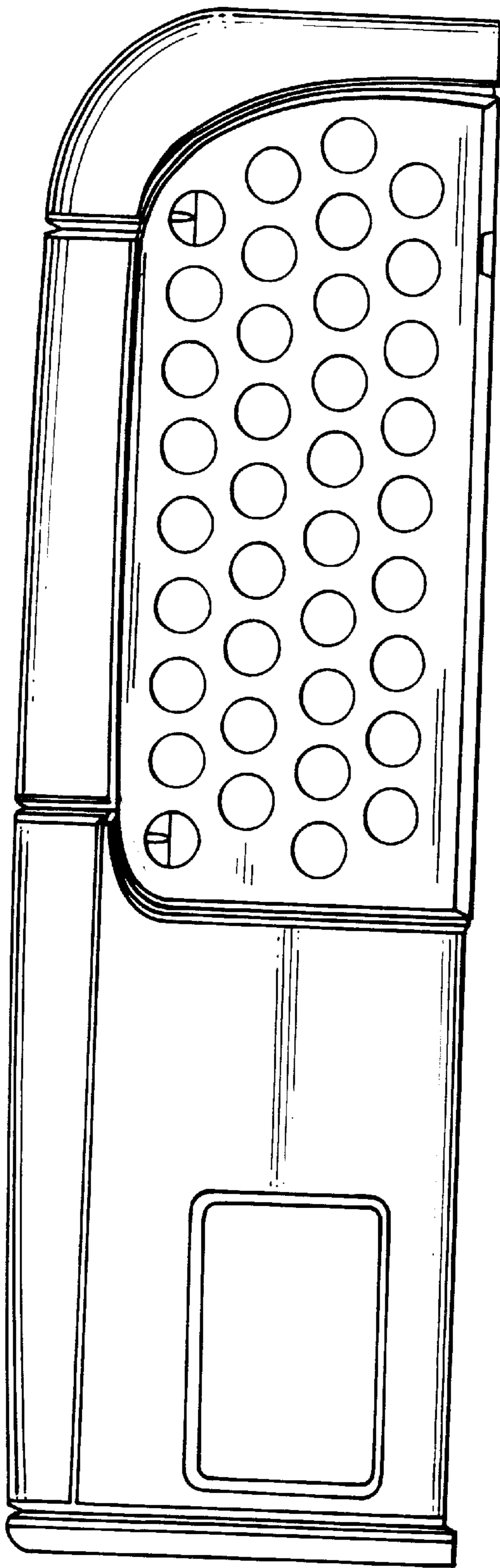


FIG. 7

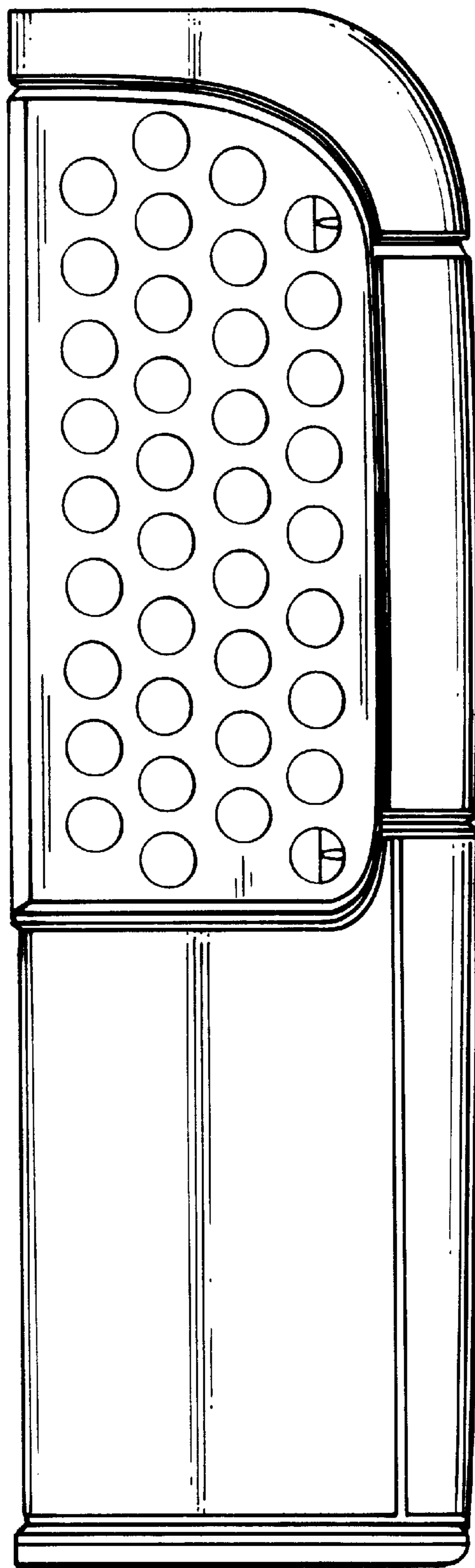


FIG. 8

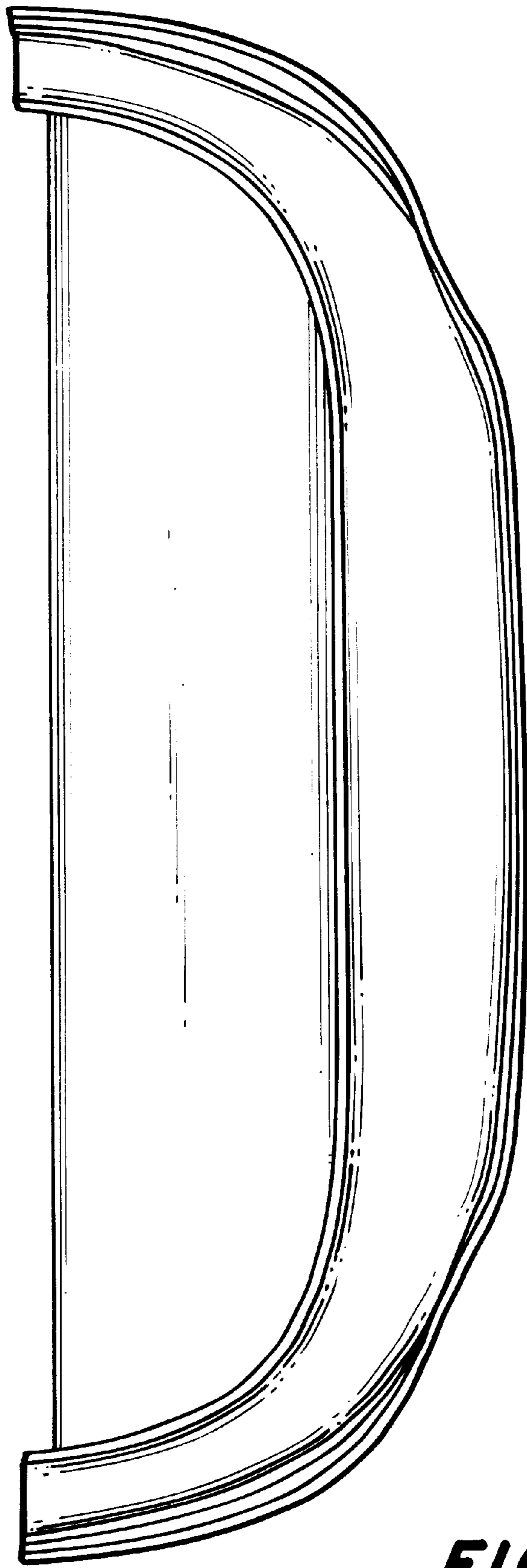


FIG. 9

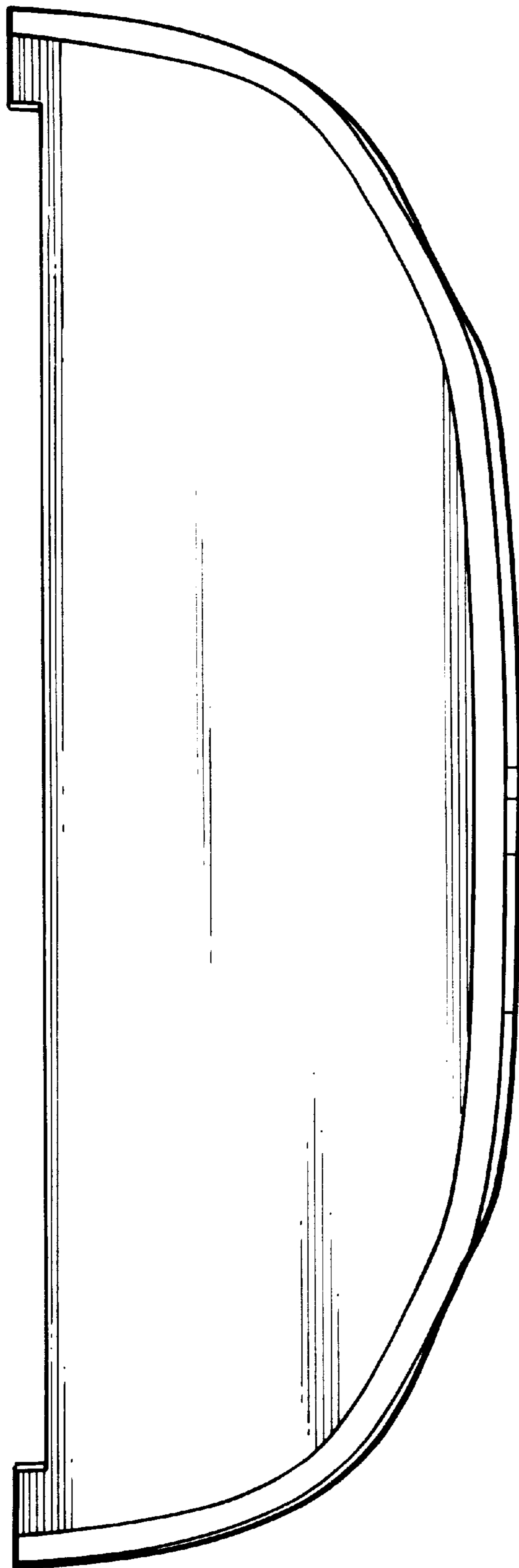


FIG. 10