



US00D454621S

(12) **United States Design Patent**
Lord

(10) **Patent No.:** **US D454,621 S**

(45) **Date of Patent:** **** Mar. 19, 2002**

(54) **SHOWERHEAD**

(75) Inventor: **Judd A. Lord**, Carmel, IN (US)

(73) Assignee: **Masco Corporation of Indiana**,
Indianapolis, IN (US)

(**) Term: **14 Years**

(21) Appl. No.: **29/136,758**

(22) Filed: **Feb. 7, 2001**

(51) **LOC (7) Cl.** **23-01**

(52) **U.S. Cl.** **D23/229; D23/213**

(58) **Field of Search** D23/213, 223,
D23/228-230; 239/449, 394, 462, 381;
4/615

(56) **References Cited**

U.S. PATENT DOCUMENTS

1,295,250	A	*	2/1919	Yeiser	239/381
D143,738	S	*	2/1946	Klein	D23/229
D145,085	S	*	6/1946	Isenberg	D23/229
D408,499	S		4/1999	Marshall		
D408,891	S	*	4/1999	Marshall	D23/229
D408,892	S		4/1999	Marshall		
D412,737	S		8/1999	Marshall		
D413,158	S		8/1999	Marshall		
D415,246	S		10/1999	Marshall		
D430,267	S	*	8/2000	Milrud et al.	D23/229

OTHER PUBLICATIONS

Hansgrohe catalog 1999; showerhead.*

* cited by examiner

Primary Examiner—Robin V. Taylor

(74) *Attorney, Agent, or Firm*—Myron B. Kapustij; Lloyd D. Doigan

(57) **CLAIM**

The ornamental design for a showerhead, as shown and described.

DESCRIPTION

FIG. 1 is a front perspective view of the showerhead showing my new design;

FIG. 2 is a rear perspective view thereof;

FIG. 3 is a front elevational view thereof;

FIG. 4 is a top plan view thereof;

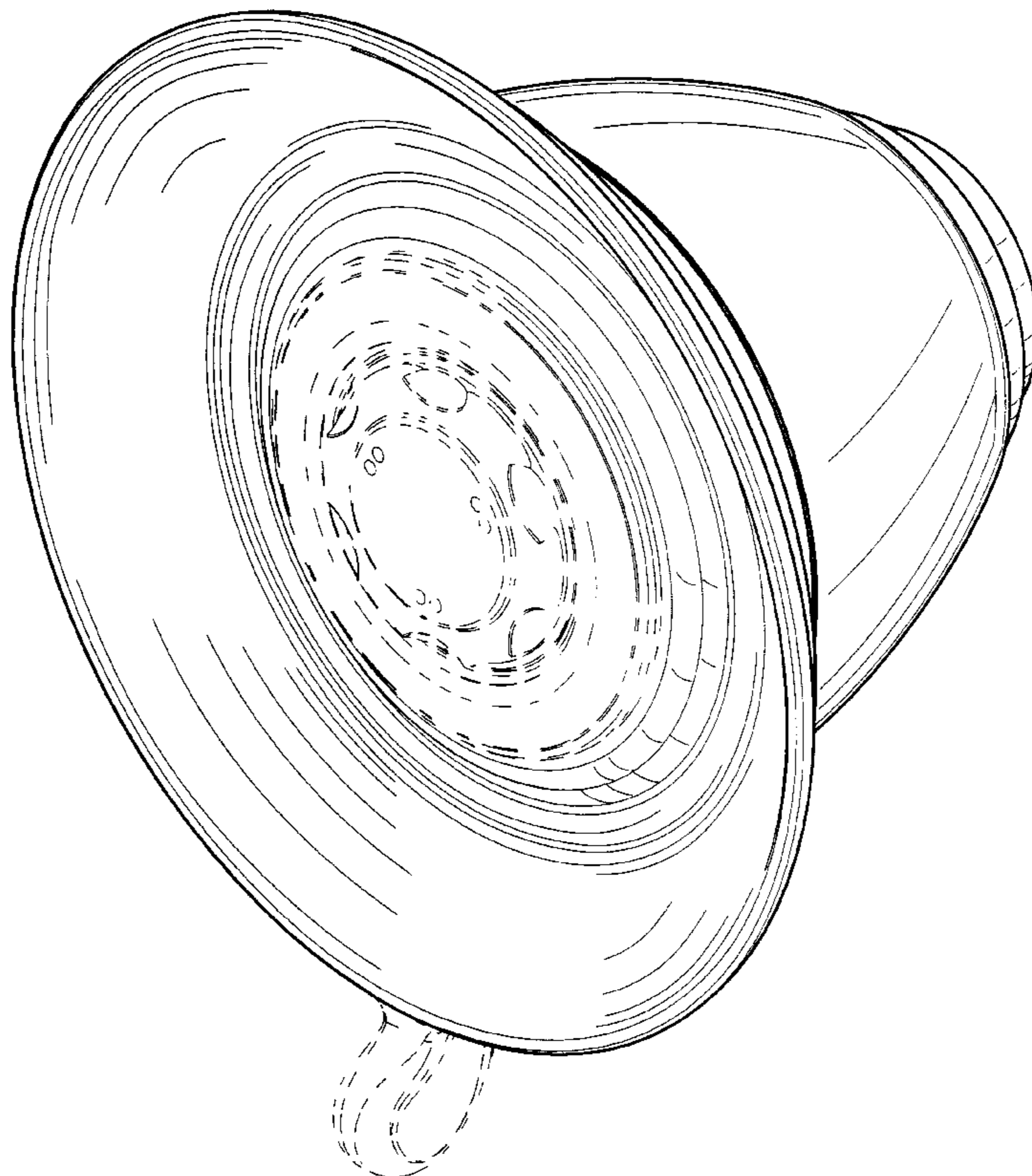
FIG. 5 is a bottom plan view thereof;

FIG. 6 is a left side elevational view thereof, the right side being a mirror image of the right; and,

FIG. 7 is a rear elevational view thereof.

The broken line showing of the face plate in FIGS. 1 and 3, and of the spray adjustment lever in FIGS. 1 and 2 are for purposes of illustration only and forms no part of the claimed design.

1 Claim, 6 Drawing Sheets



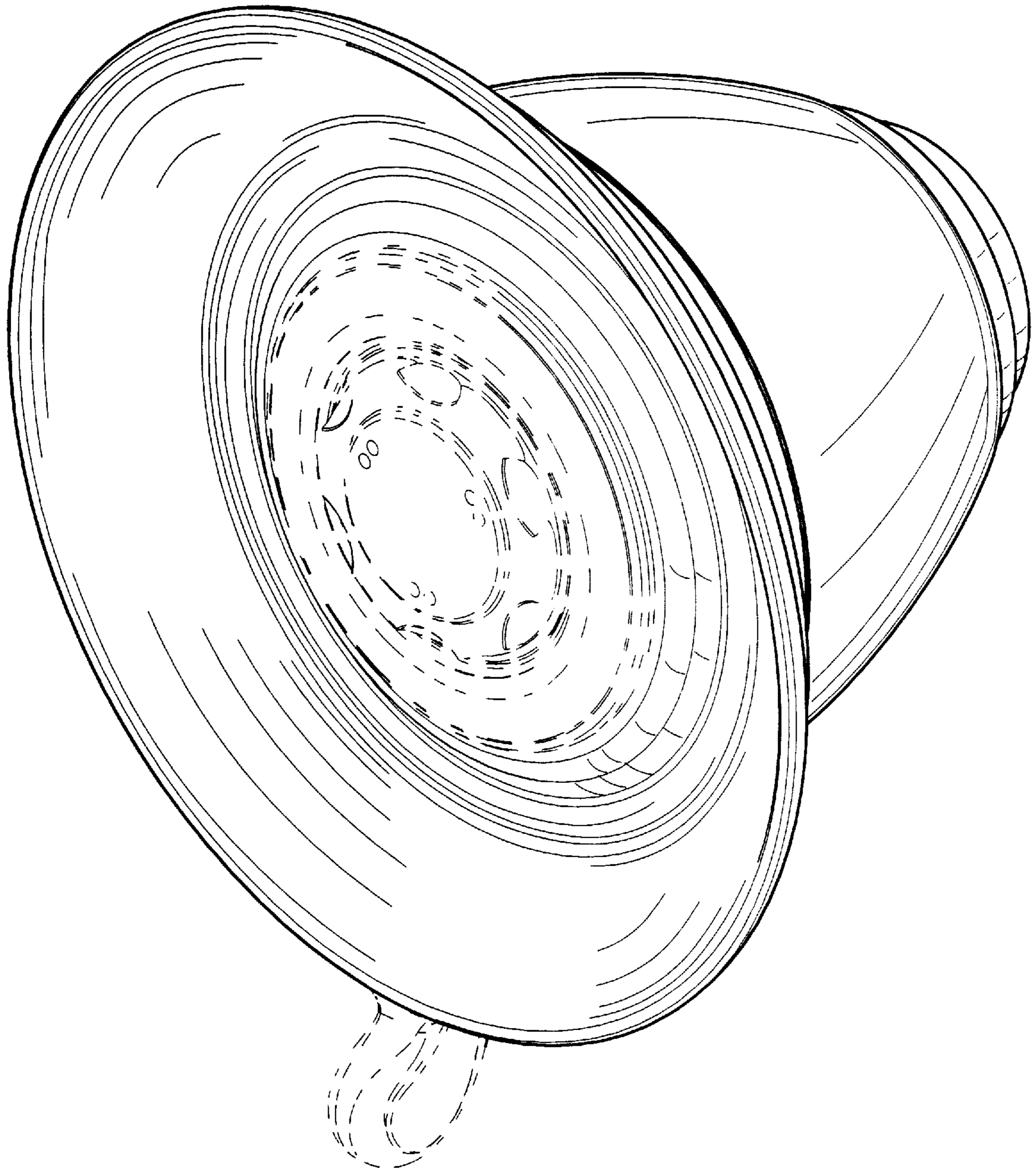


Figure - 1

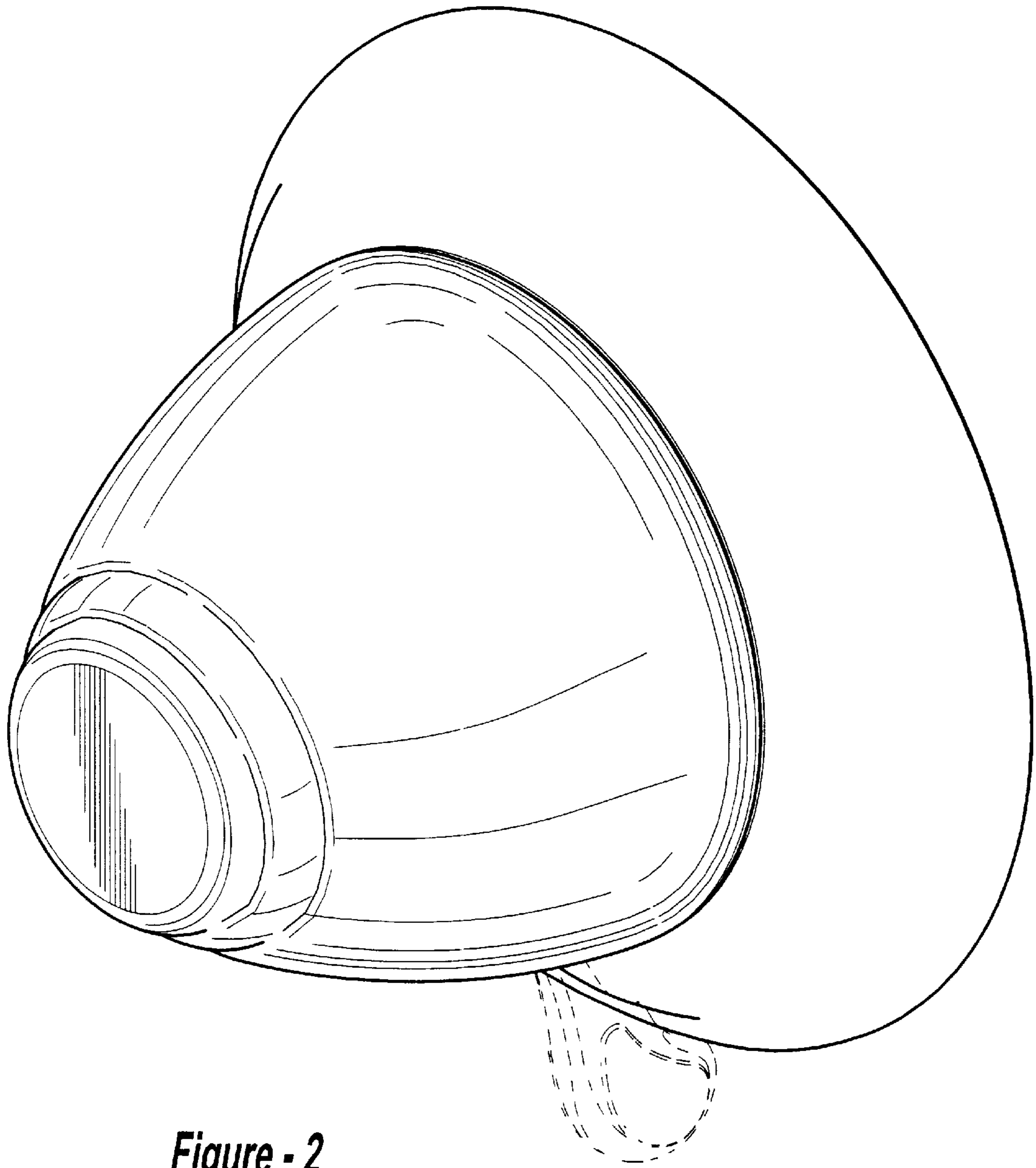


Figure - 2

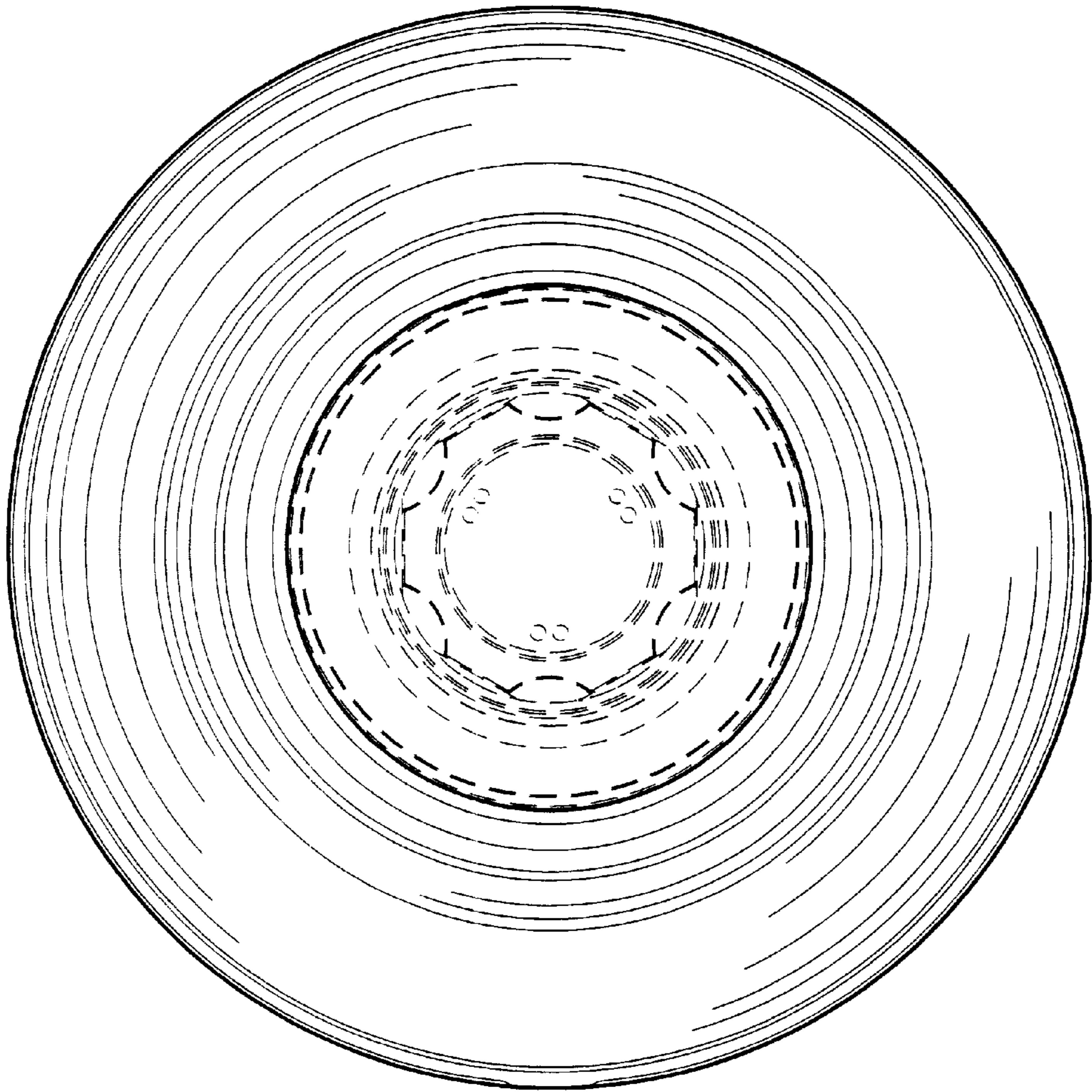


Figure - 3

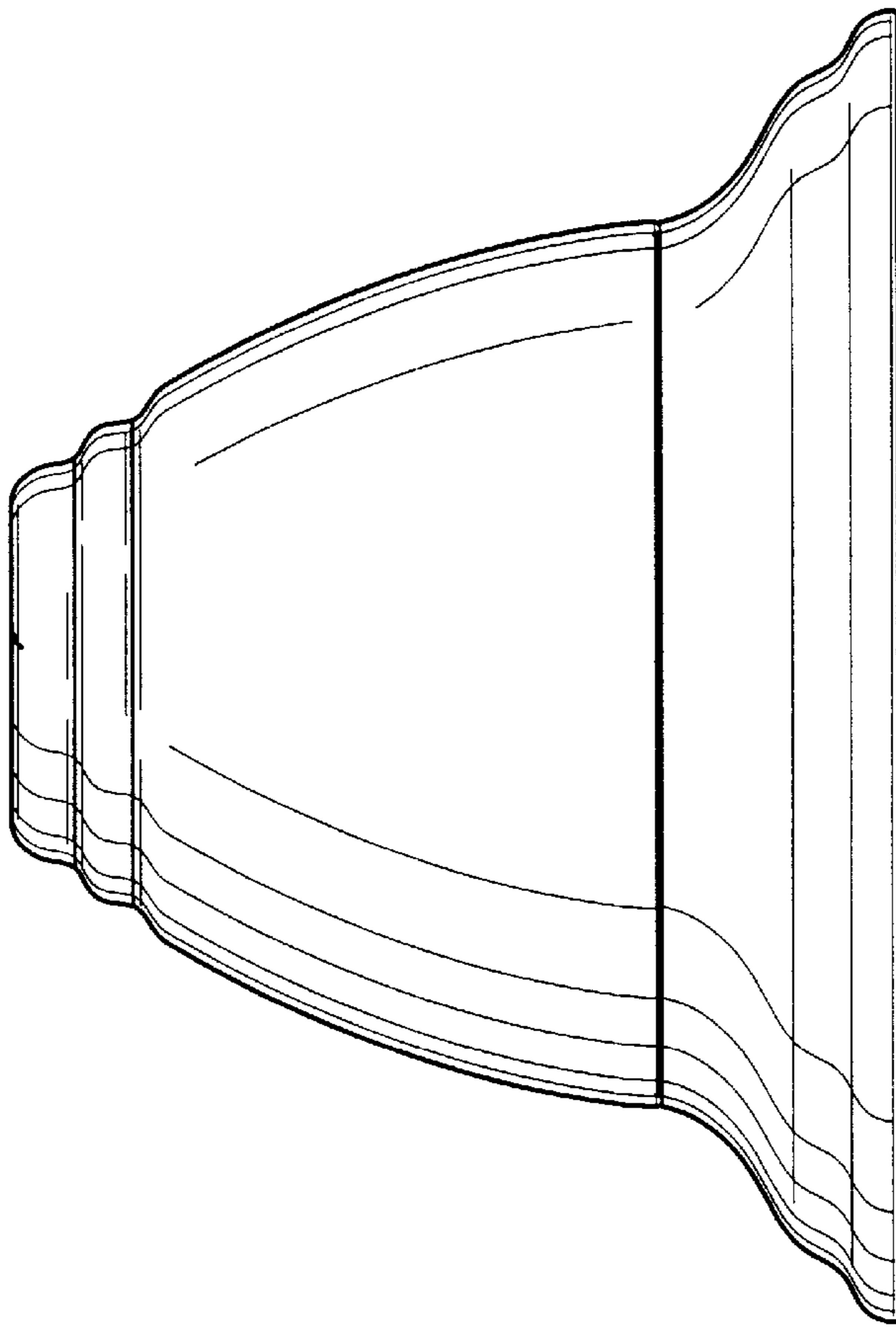


Figure - 4

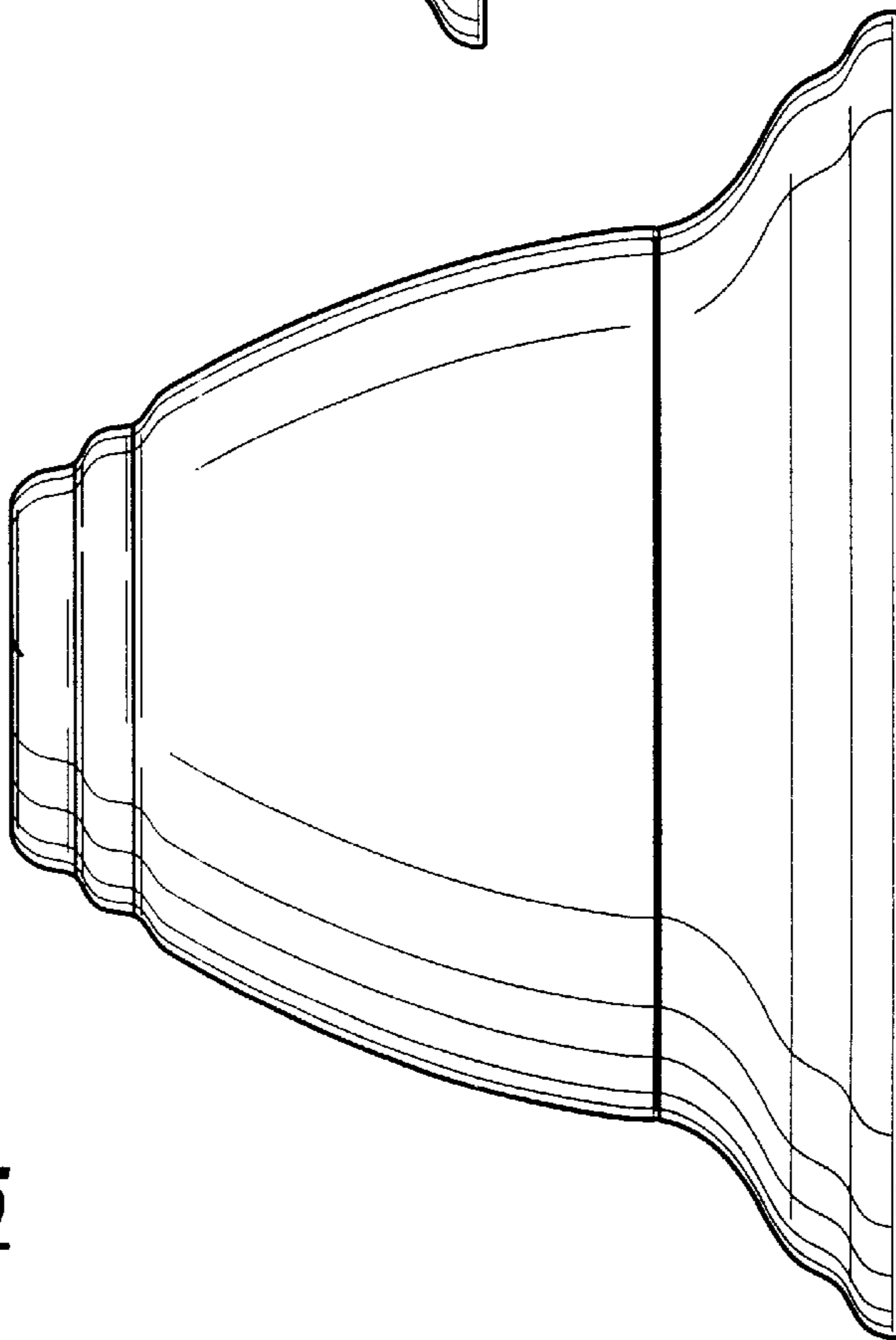


Figure - 5

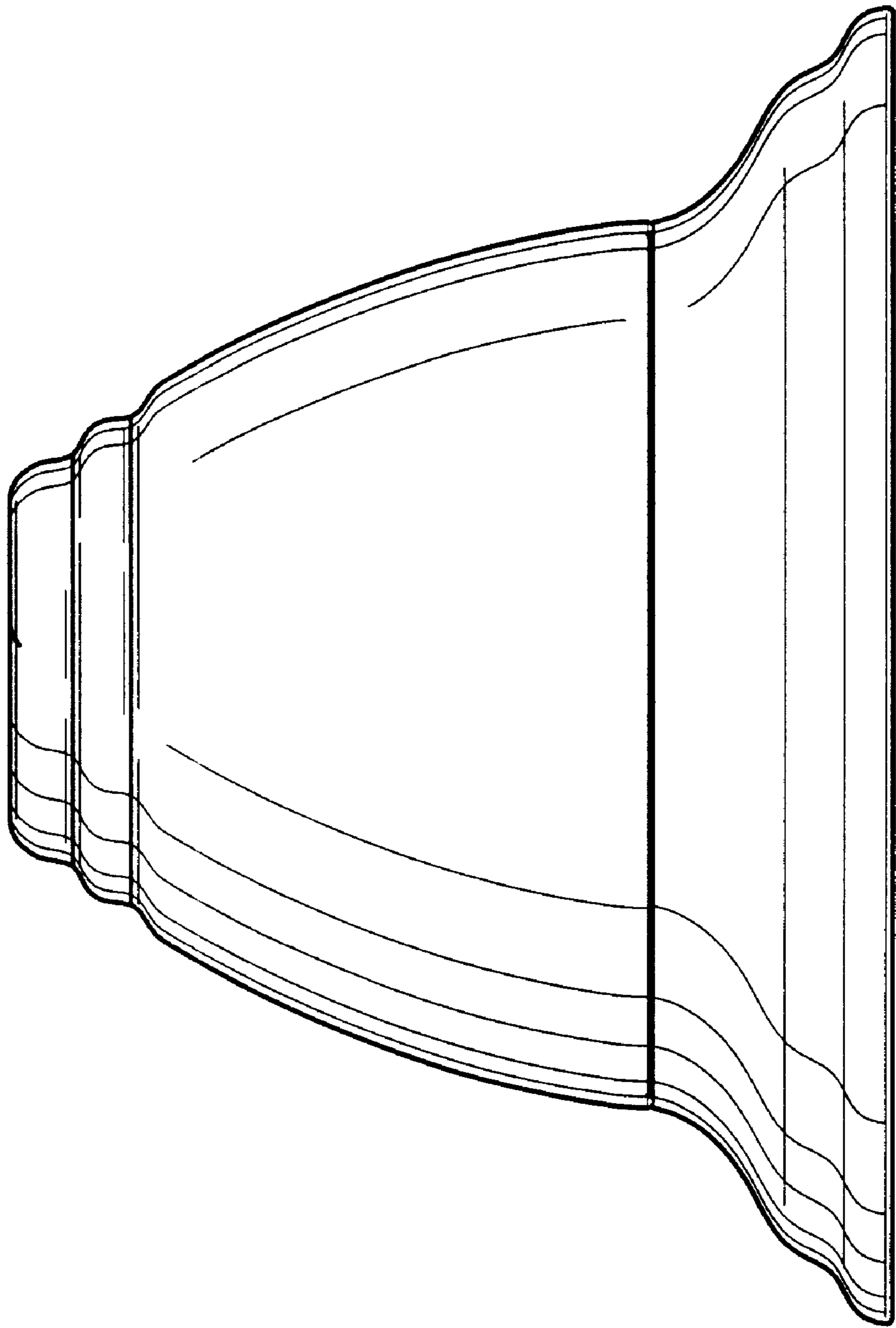


Figure - 6

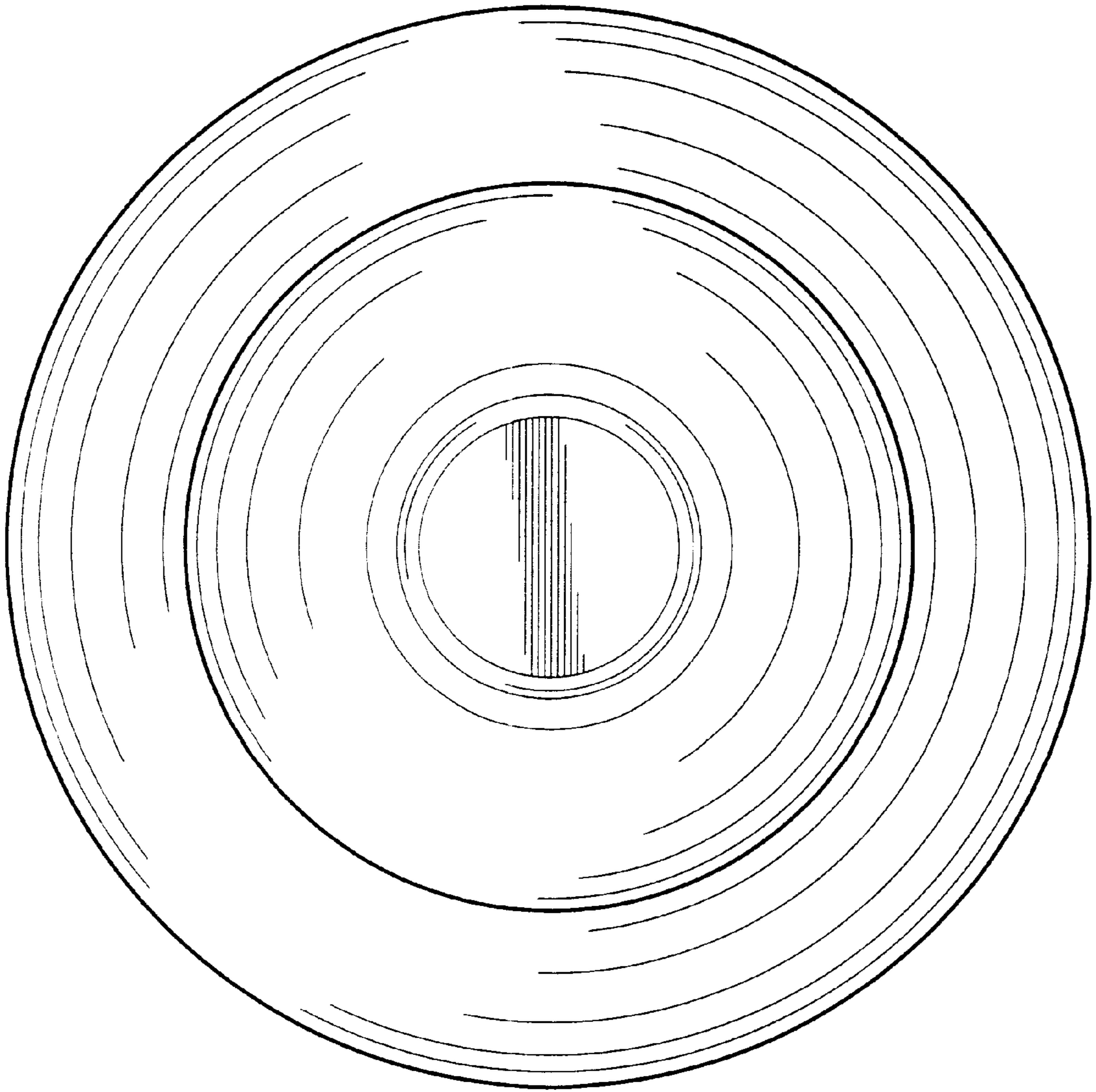


Figure - 7