



US00D454617S

(12) **United States Design Patent**
Curbbun et al.

(10) **Patent No.:** **US D454,617 S**
(45) **Date of Patent:** **** Mar. 19, 2002**

(54) **SHOWER HEAD**

(75) Inventors: **Charles Curbbun**, Leucadia, CA (US);
Eduardo Milrud, Cleveland Heights,
OH (US); **Robert Rabinovitz**, Berkley,
MI (US); **Mark Omer Snyder**,
Oakdale, MN (US); **Kevin Young**,
Newton, MA (US)

(73) Assignee: **Moen Incorporated**, North Olmsted,
OH (US)

(**) Term: **14 Years**

(21) Appl. No.: **29/136,173**

(22) Filed: **Jan. 25, 2001**

(51) **LOC (7) Cl.** **23-01**

(52) **U.S. Cl.** **D23/213; D23/229**

(58) **Field of Search** **D23/213, 223,**
D23/226, 229, 230; 239/394, 460-462

(56) **References Cited**

U.S. PATENT DOCUMENTS

D146,864 S	*	6/1947	Manville et al.	D23/213
D226,764 S		4/1973	Rauh	
D231,697 S		5/1974	Grube	
D235,445 S		6/1975	Mackay et al.	
D235,997 S		7/1975	Johnson	
D251,679 S		4/1979	Kwan	
D261,417 S		10/1981	Klose	
D282,199 S		1/1986	Shames et al.	
D290,497 S		6/1987	Huen	
D313,833 S		1/1991	Presman	
D323,545 S		1/1992	Ward	

D328,944 S	*	8/1992	Robbins	D23/213
D341,647 S		11/1993	Bengtson	
D342,305 S		12/1993	Bruno et al.	
D346,427 S		4/1994	Warshawsky	
D355,951 S		2/1995	Ran	
D363,114 S		10/1995	Andrus	
D368,761 S		4/1996	Andrus	
D369,203 S		4/1996	Andrus	
D385,331 S		10/1997	Andrus	
D394,899 S		6/1998	Caroen et al.	
D408,499 S		4/1999	Marshall	
D408,892 S		4/1999	Marshall	
D409,276 S		5/1999	Ratzlaff	
D413,157 S		8/1999	Ratzlaff	
D416,075 S		11/1999	Chan	

* cited by examiner

Primary Examiner—Robin V. Taylor

(74) *Attorney, Agent, or Firm*—Cook, Alex, McFarron,
Manzo, Cummings & Mehler, Ltd.

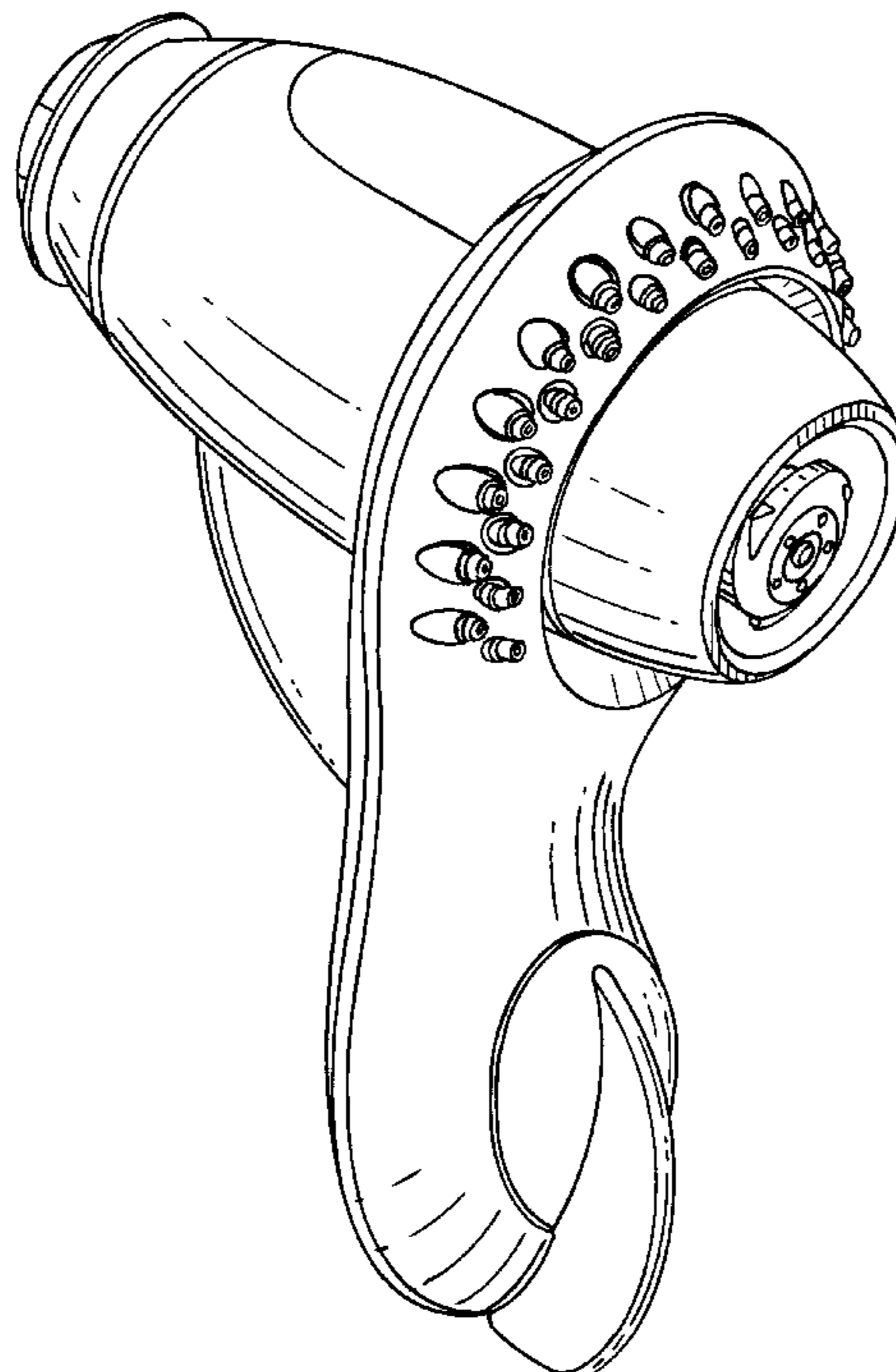
(57) **CLAIM**

The ornamental design for a shower head, as shown and described.

DESCRIPTION

FIG. 1 is a front perspective view of our new design for a shower head;
FIG. 2 is a top view thereof;
FIG. 3 is a right side view thereof, the left side being identical to the right side;
FIG. 4 is a front view thereof;
FIG. 5 is a rear view thereof; and,
FIG. 6 is a bottom view thereof.

1 Claim, 3 Drawing Sheets



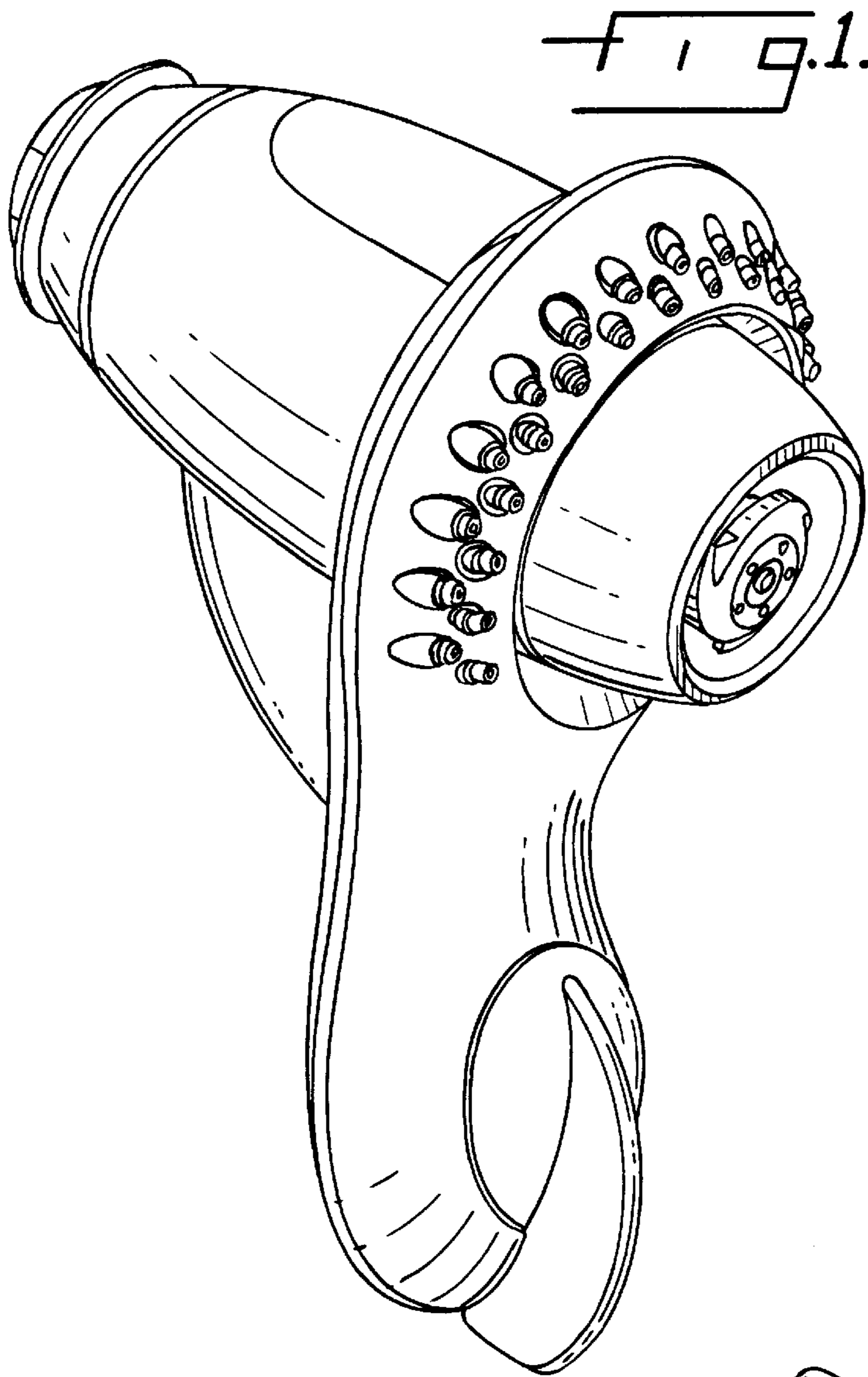


Fig. 1.

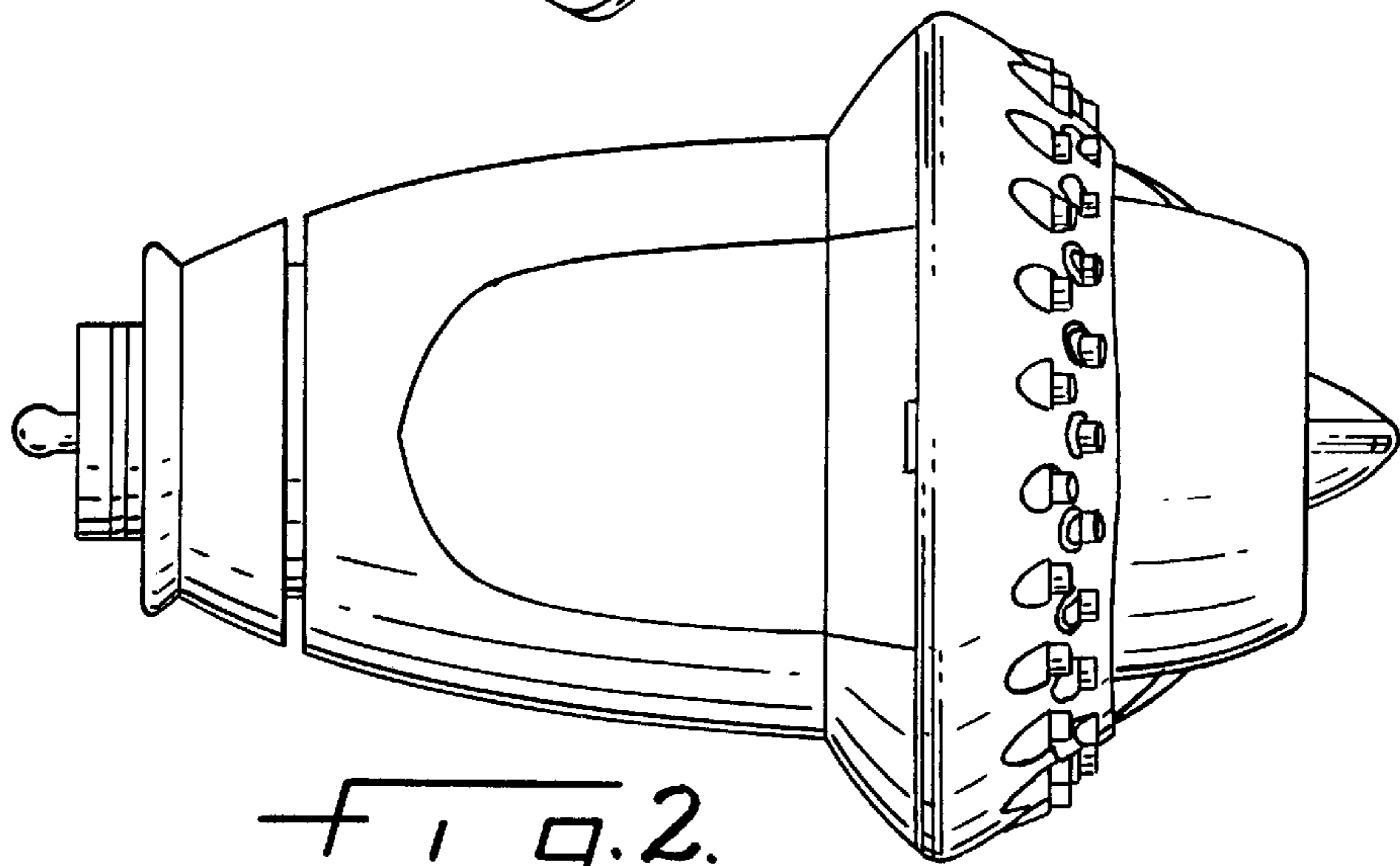


Fig. 2.

FIG. 3.

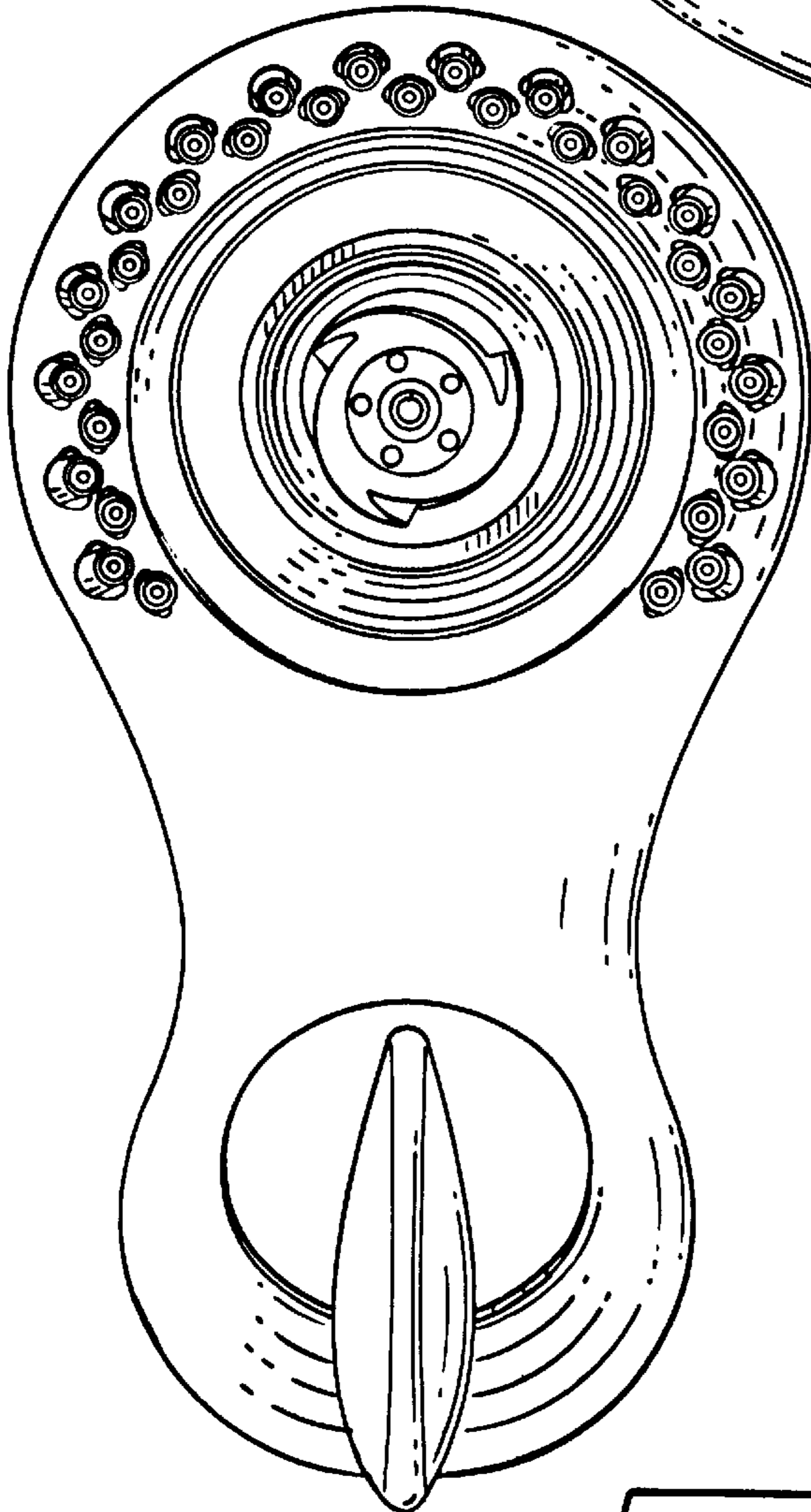
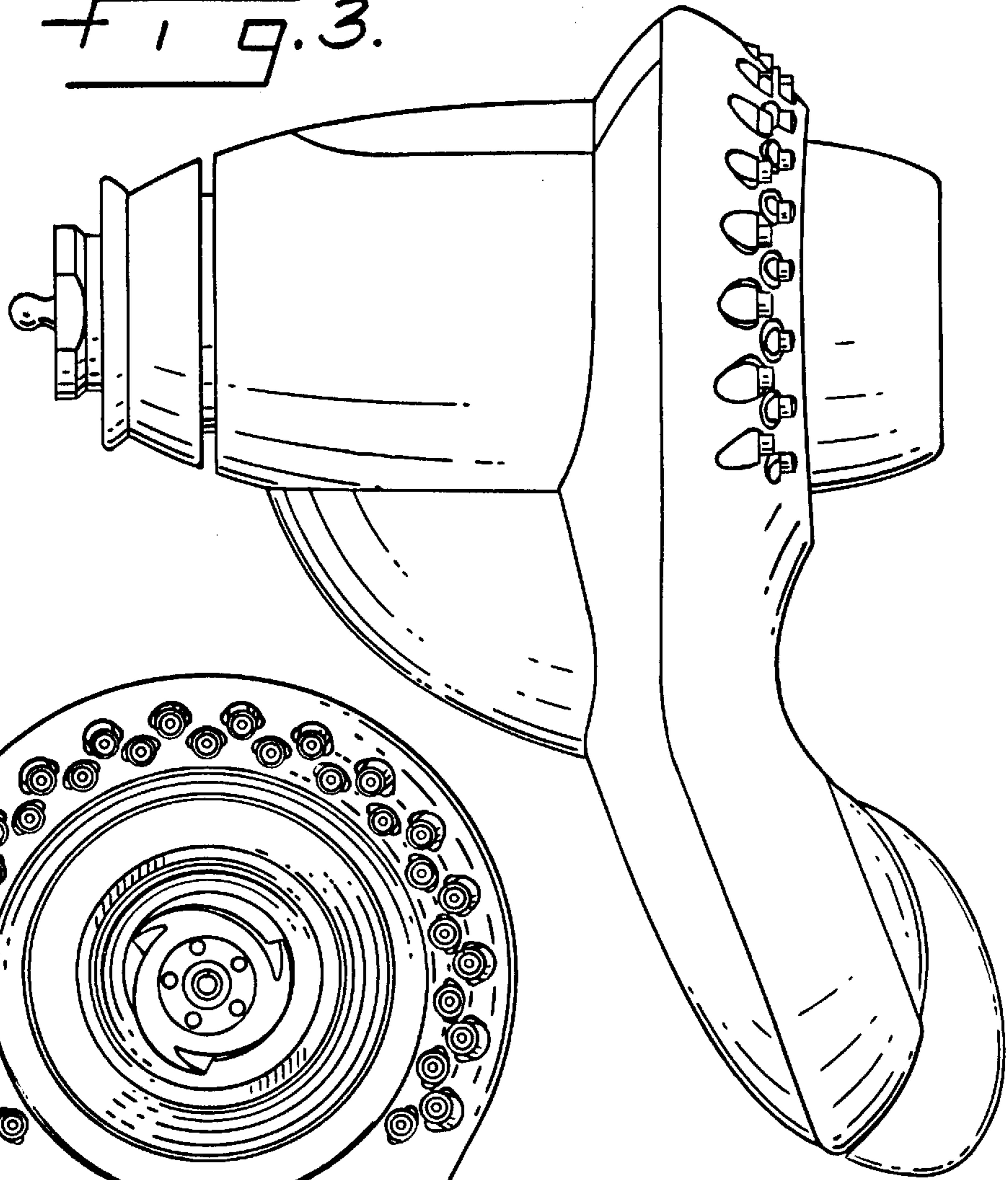


FIG. 4.

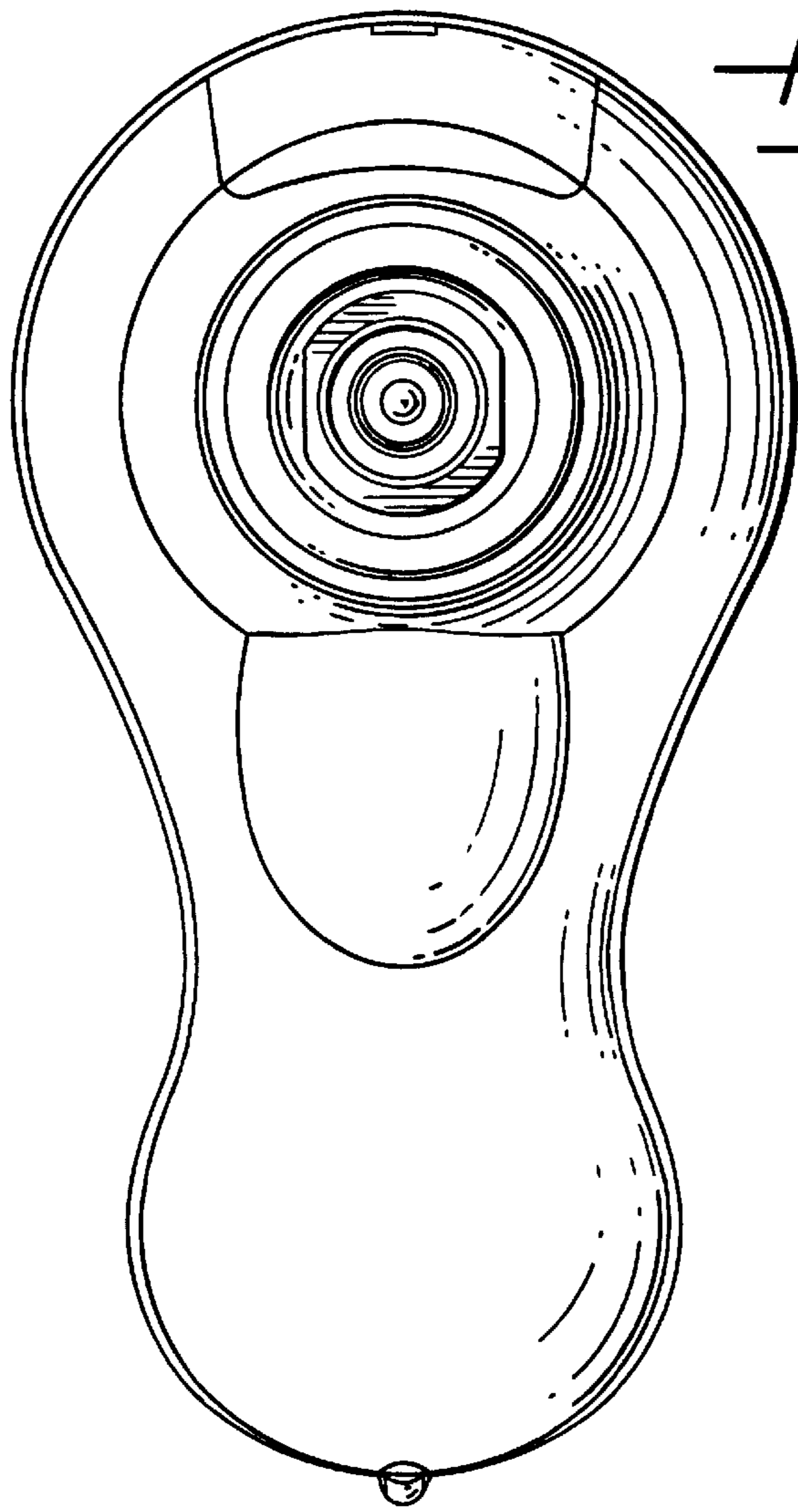


FIG. 5.

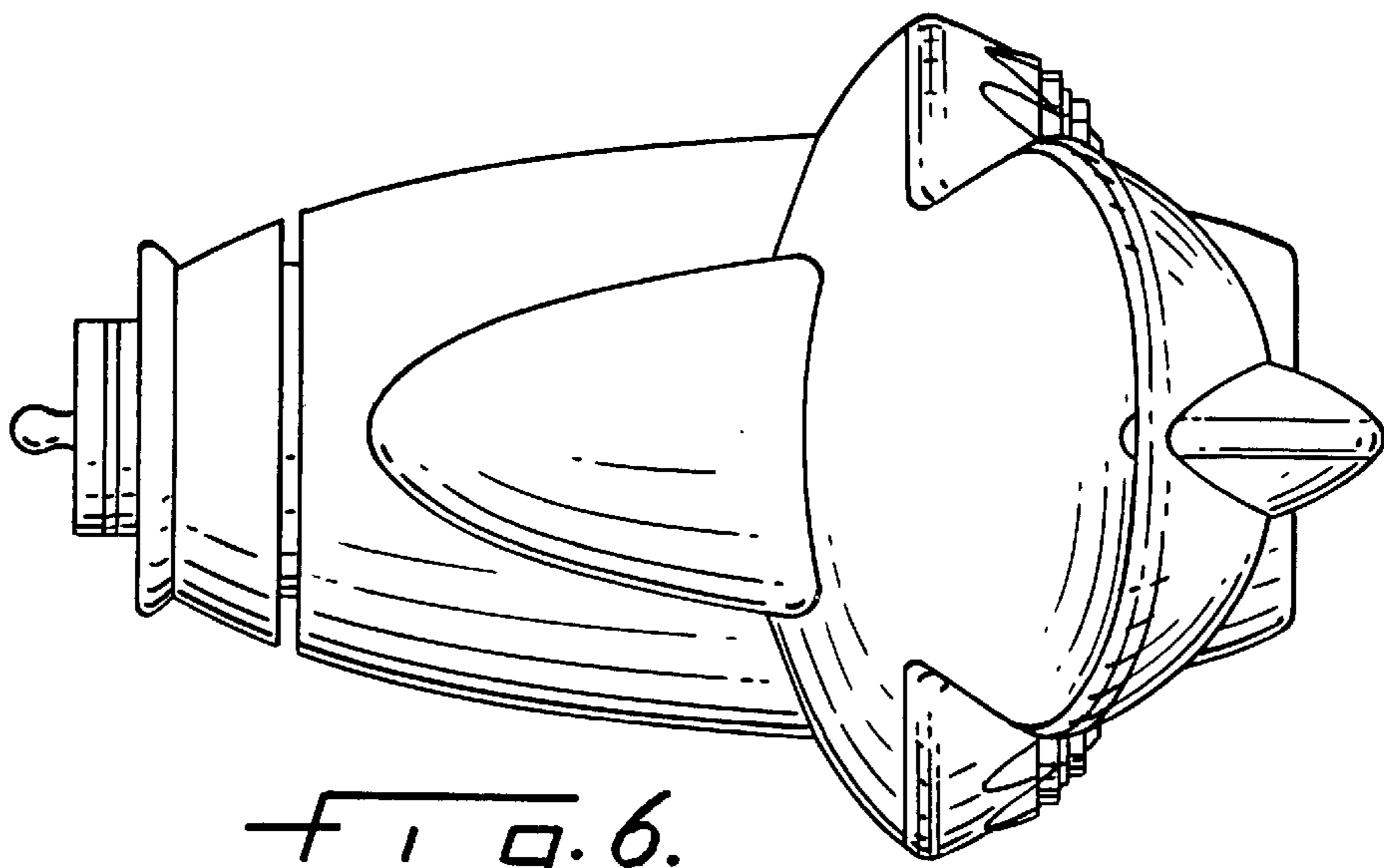


FIG. 6.