



US00D454616S

(12) **United States Design Patent**
Hunt

(10) **Patent No.:** **US D454,616 S**

(45) **Date of Patent:** **** Mar. 19, 2002**

(54) **POWER SWEEPER NOZZLE**

D437,385 S * 2/2001 Chao D23/213

(75) Inventor: **David L. Hunt**, Cincinnati, OH (US)

* cited by examiner

(73) Assignee: **L. R. Nelson Corporation**, Peoria, IL (US)

Primary Examiner—Mitchell Siegel

(74) *Attorney, Agent, or Firm*—Mayer, Brown & Platt

(**) Term: **14 Years**

(57) **CLAIM**

The ornamental design for a power sweeper nozzle, as shown.

(21) Appl. No.: **29/127,826**

(22) Filed: **Aug. 11, 2000**

DESCRIPTION

(51) **LOC (7) Cl.** **23-01**

(52) **U.S. Cl.** **D23/213**

(58) **Field of Search** D32/25; D23/266, D23/213, 226; 239/459

FIG. 1 is a isometric view thereof;

FIG. 2 is a top plan view thereof;

FIG. 3 is a bottom plan view thereof;

FIG. 4 is a front elevational view showing my new design;

FIG. 5 is a right side elevational view thereof,

FIG. 6 is a left side elevational view thereof; and,

FIG. 7 is a rear elevational view thereof.

(56) **References Cited**

U.S. PATENT DOCUMENTS

D288,954 S * 3/1987 McDermott et al. D23/213

1 Claim, 1 Drawing Sheet

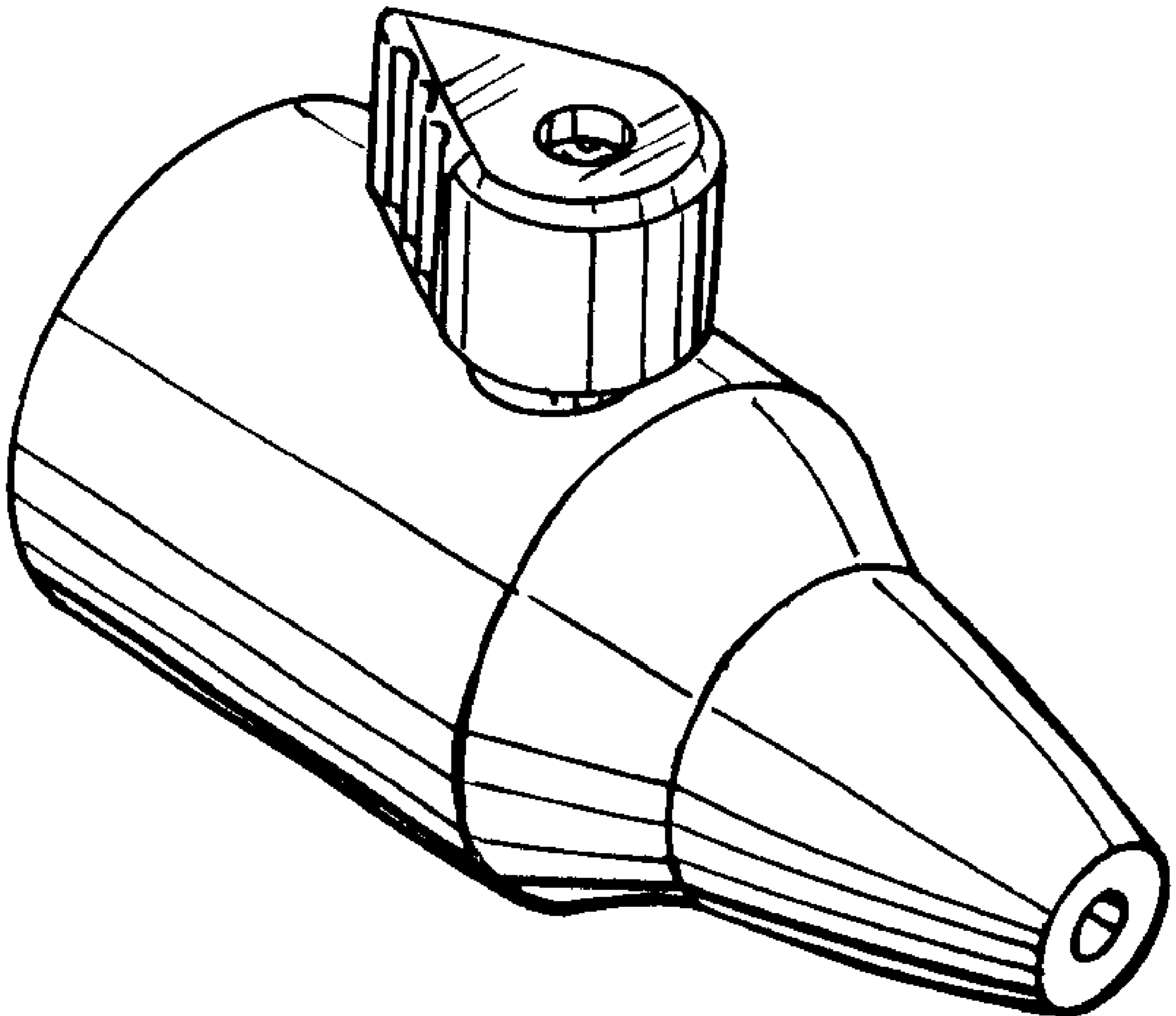


FIG. 1

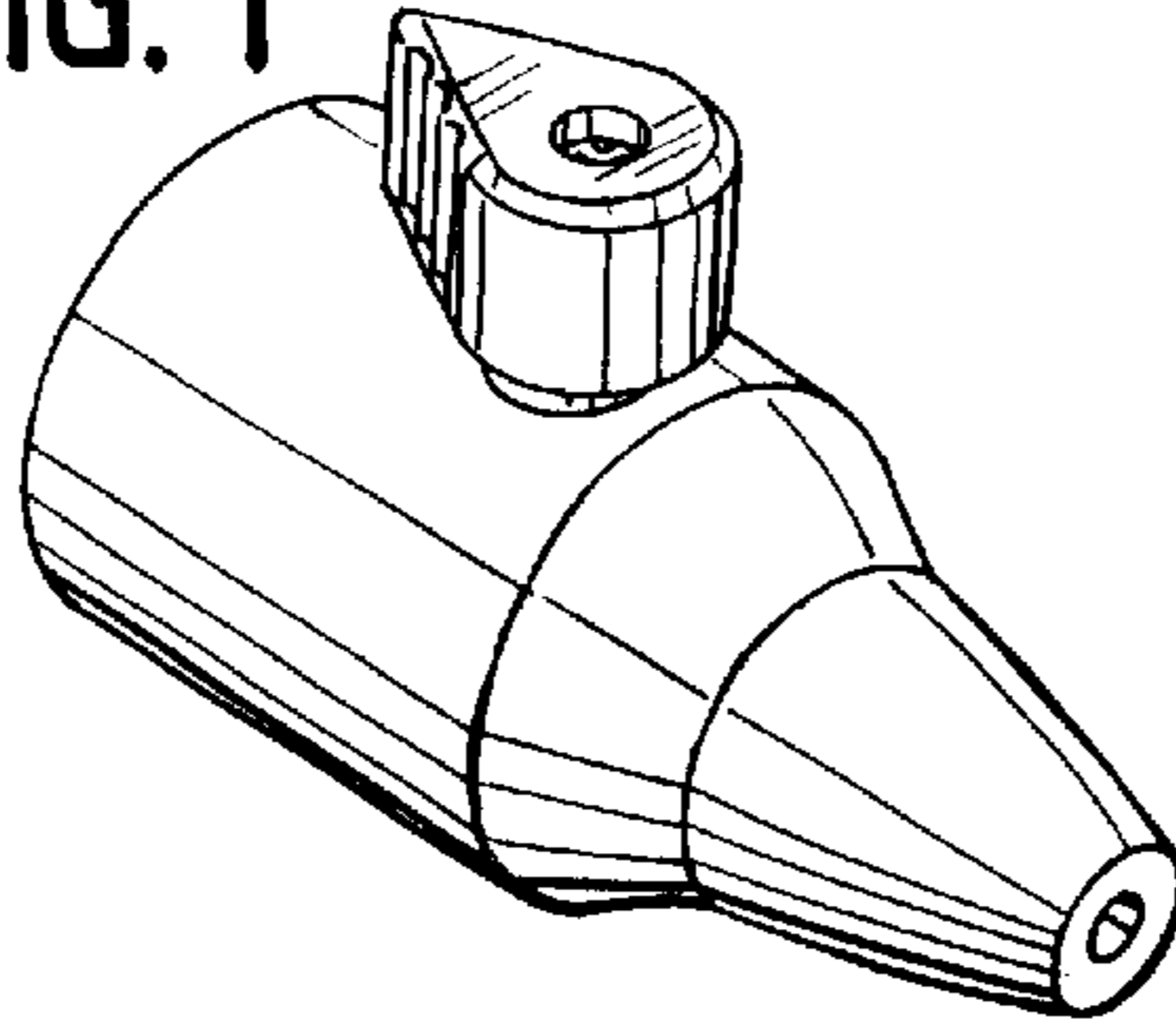


FIG. 2

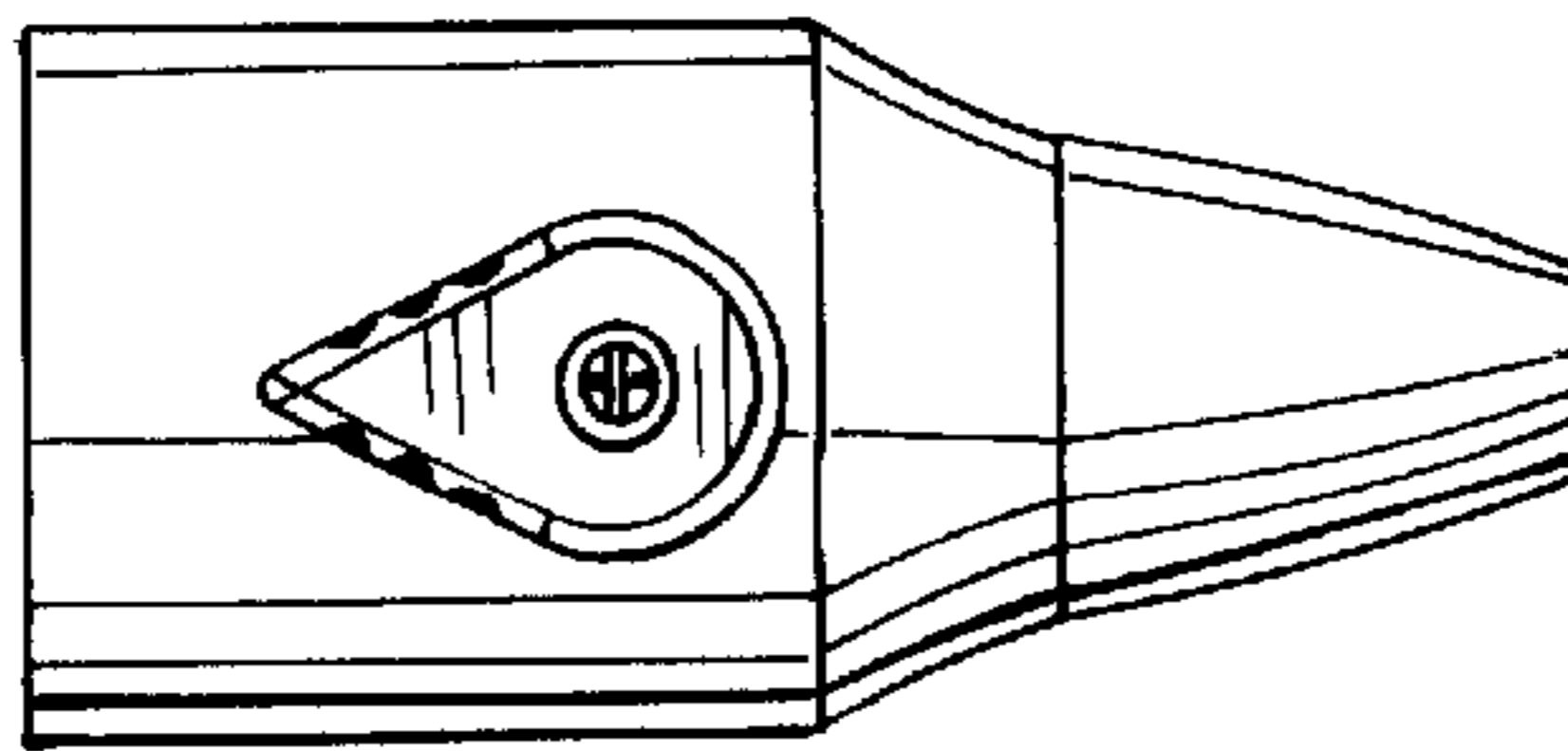


FIG. 3

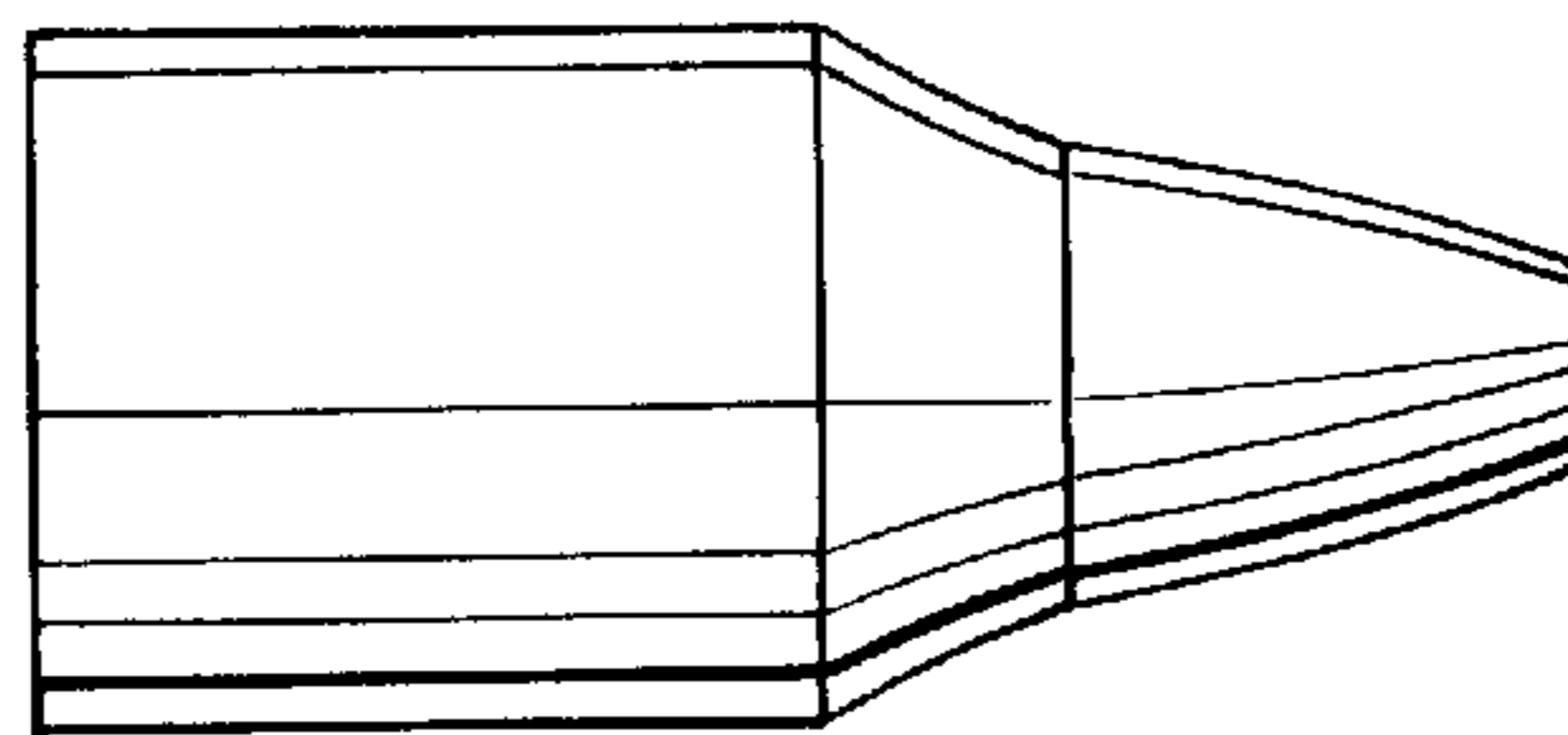


FIG. 5

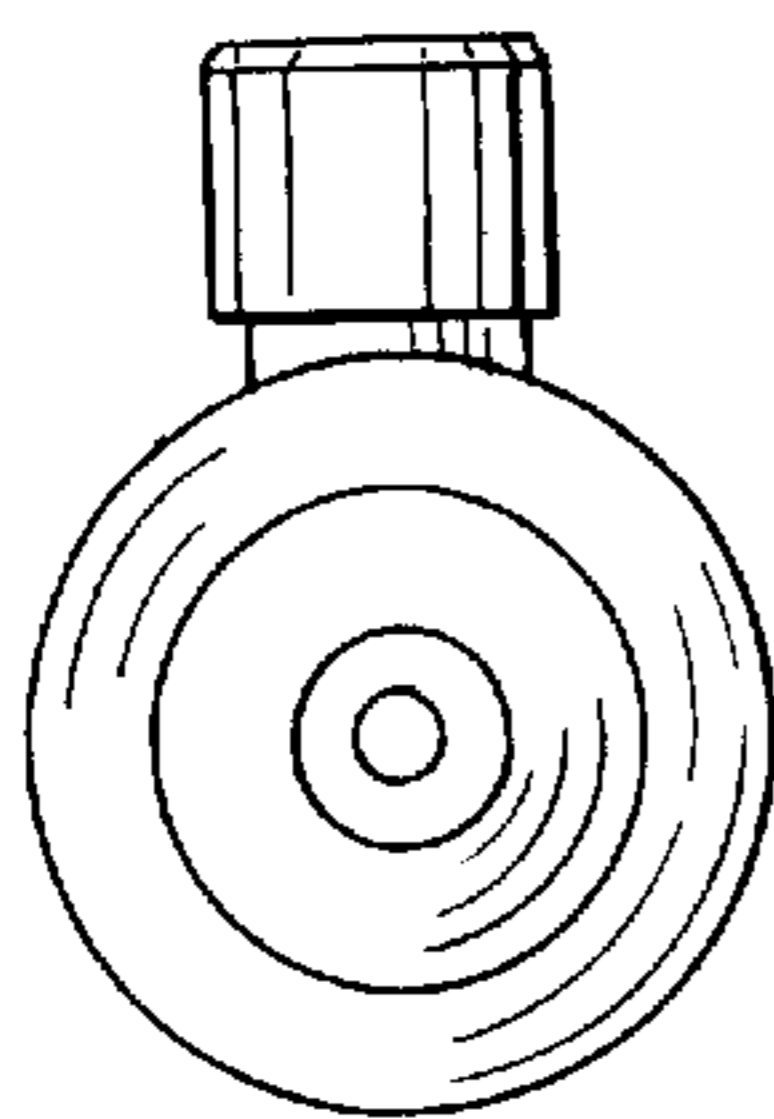


FIG. 4

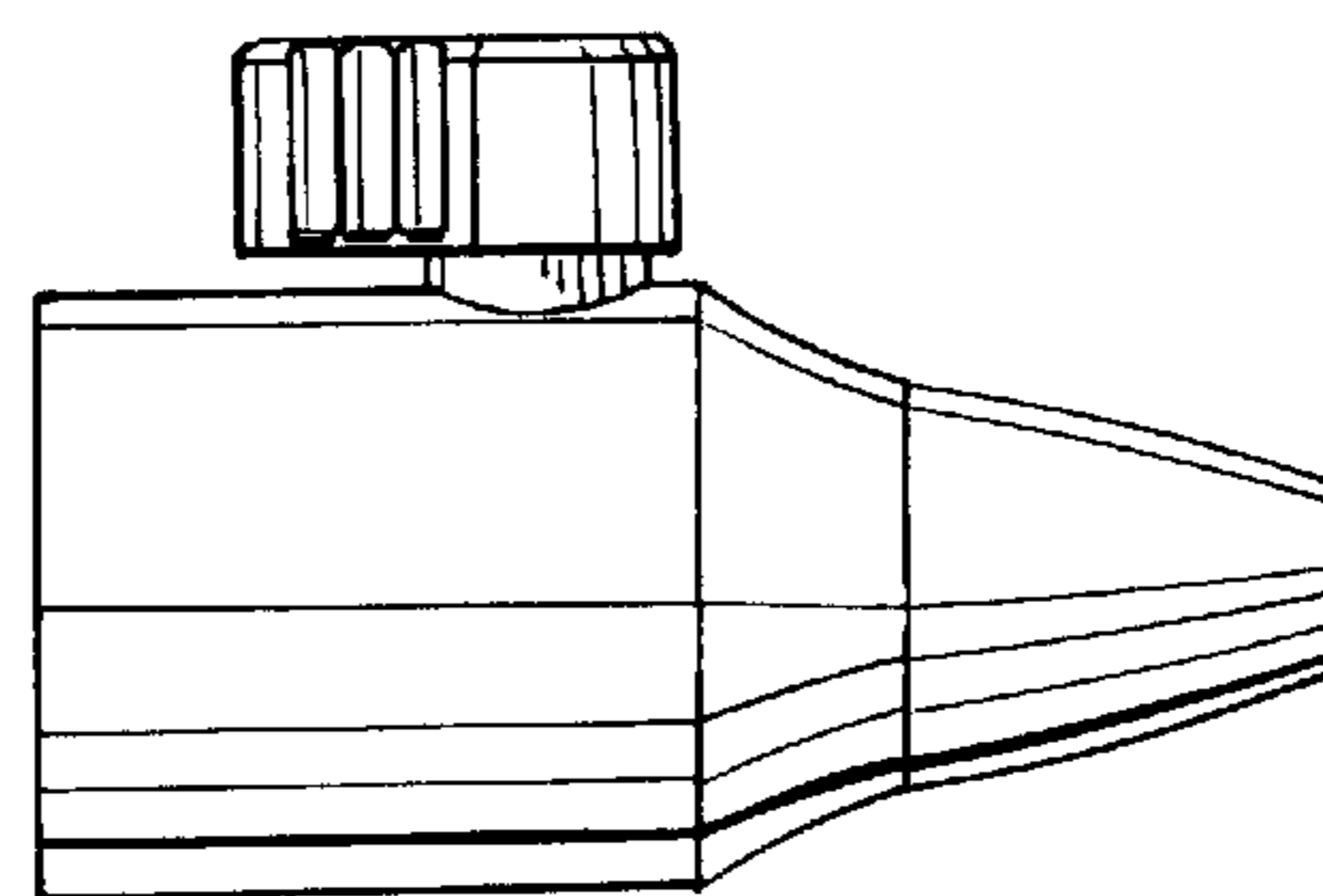


FIG. 6

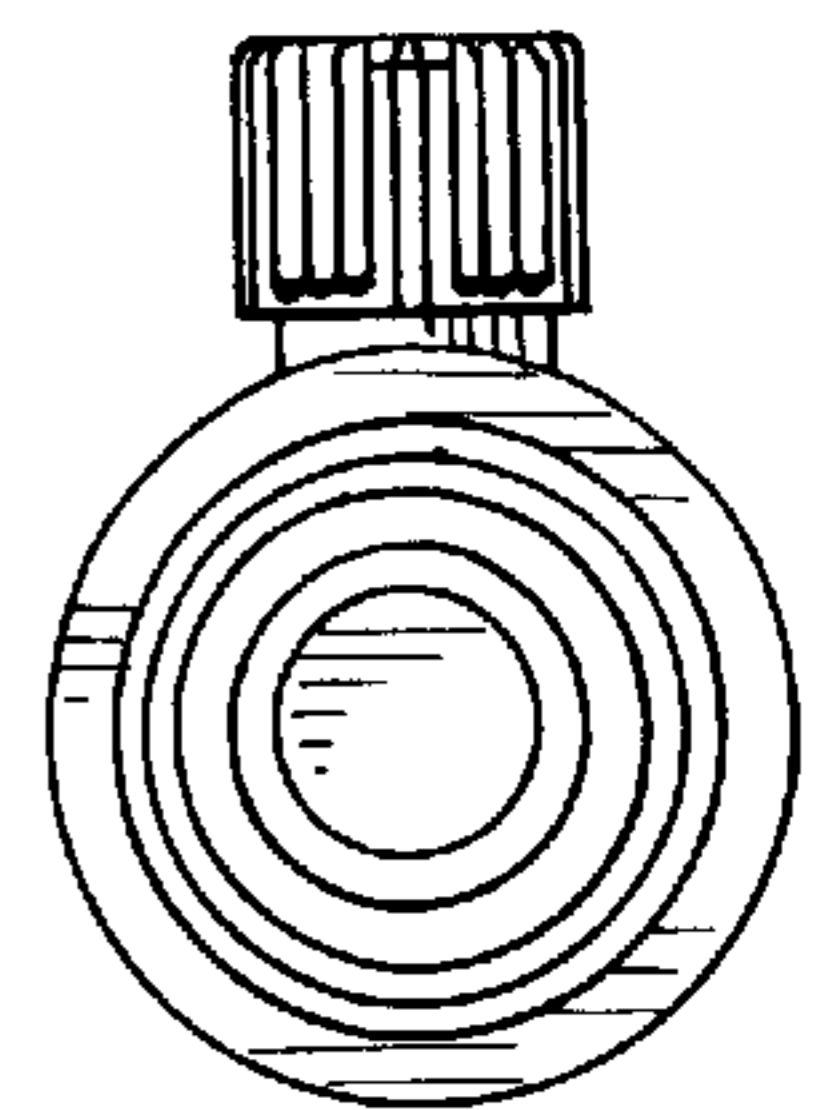


FIG. 7

