



US00D454615S

(12) **United States Design Patent**
Neal

(10) **Patent No.:** **US D454,615 S**
(45) **Date of Patent:** **** Mar. 19, 2002**

(54) **WATER PURIFIER**

(76) Inventor: **Thomas F. Neal**, 1035 Keys, Boulder City, NV (US) 89005

(**) Term: **14 Years**

(21) Appl. No.: **29/138,866**

(22) Filed: **Mar. 20, 2001**

(51) **LOC (7) Cl.** **23-01**

(52) **U.S. Cl.** **D23/209**

(58) **Field of Search** D23/200, 207,
D23/209; 210/340, 341, 249, 232

(56) **References Cited**

U.S. PATENT DOCUMENTS

2,079,475	A	*	5/1937	Williams et al.	210/340
D236,829	S	*	9/1975	Berry et al.	D23/209
4,192,750	A	*	3/1980	Elfes et al.	210/232
D353,440	S	*	12/1994	Ito et al.	D23/209
D357,058	S		4/1995	Engelhard		
D384,128	S	*	9/1997	Scott	D23/209
D407,462	S	*	3/1999	Bishop et al.	D23/207
6,007,723	A	*	12/1999	Ikada et al.	210/340
6,203,697	B1	*	3/2001	Ferguson	210/232

* cited by examiner

Primary Examiner—Robin V. Taylor

(74) *Attorney, Agent, or Firm*—Gallagher & Kennedy, P.A.;
Thomas D. MacBain

(57) **CLAIM**

The ornamental design for a water purifier, as shown and described.

DESCRIPTION

FIG. 1 is a perspective view of the water purifier showing my new design,

FIG. 2 is a front elevation view of the water purifier of FIG. 1,

FIG. 3 is a back elevation view of the water purifier of FIG. 1,

FIG. 4 is a right side elevation view of the water purifier of FIG. 1,

FIG. 5 is a left side elevation view of the water purifier of FIG. 1,

FIG. 6 is a top plan view of the water purifier of FIG. 1,

FIG. 7 is a bottom plan view of the water purifier of FIG. 1, and

FIG. 8 is a top plan view of the water purifier of FIG. 1 showing in broken lines an optical mounting bracket.

FIG. 9 is a perspective view of another embodiment of the water purifier of FIG. 1,

FIG. 10 is a front elevation view of the water purifier embodiment of FIG. 5,

FIG. 11 is a back elevation view of the water purifier embodiment of FIG. 5,

FIG. 12 is a right side elevation view of the water purifier embodiment of FIG. 5,

FIG. 13 is a left side elevation view of the water purifier embodiment of FIG. 5,

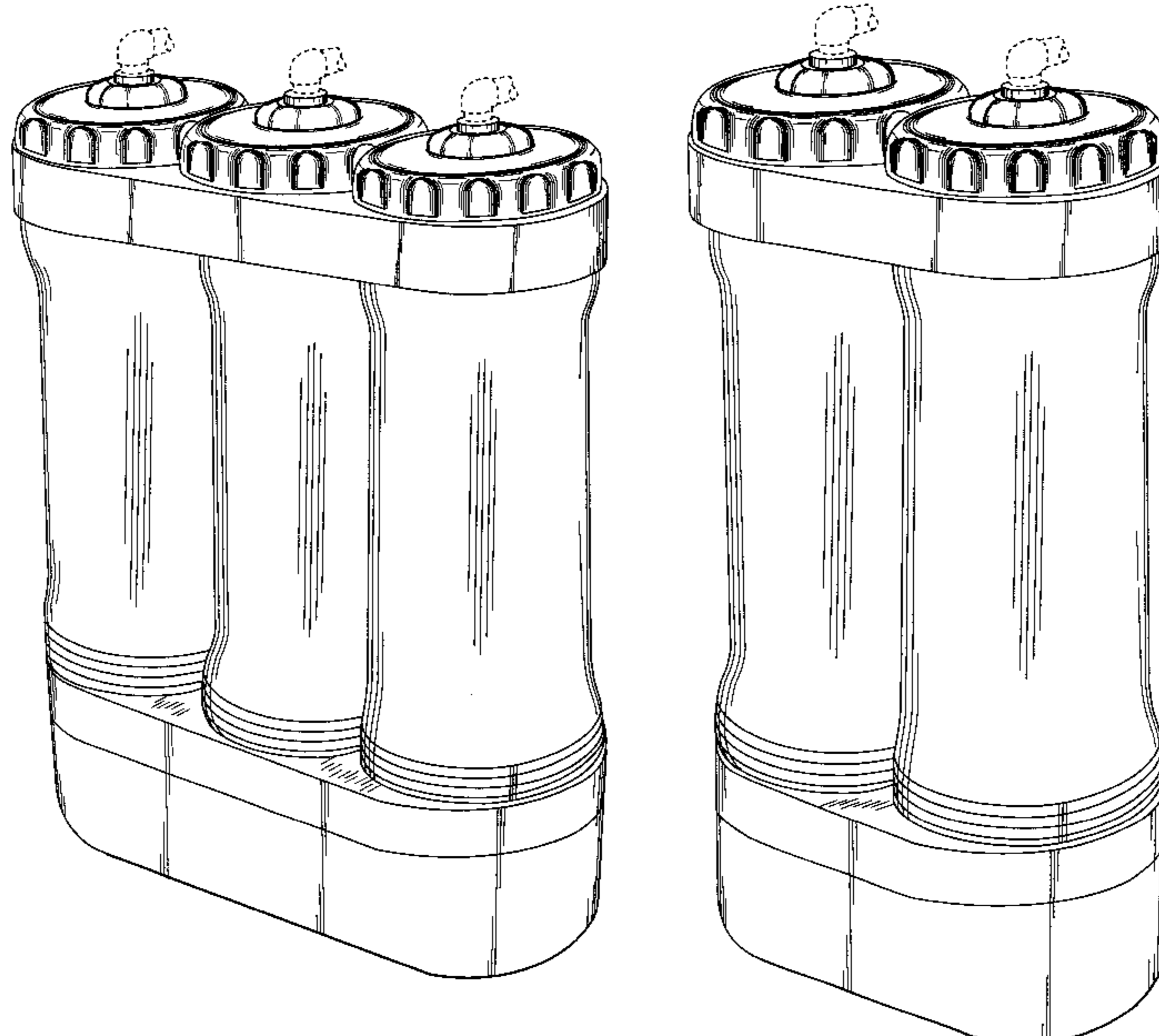
FIG. 14 is a top plan view of the water purifier embodiment of FIG. 5,

FIG. 15 is a bottom plan view of the water purifier embodiment of FIG. 5, and,

FIG. 16 is a top plan view of the water purifier embodiment of FIG. 5 showing in broken lines an optional mounting bracket.

Features shown in broken lines are shown for environment only and do not form a part of the design claimed.

1 Claim, 9 Drawing Sheets



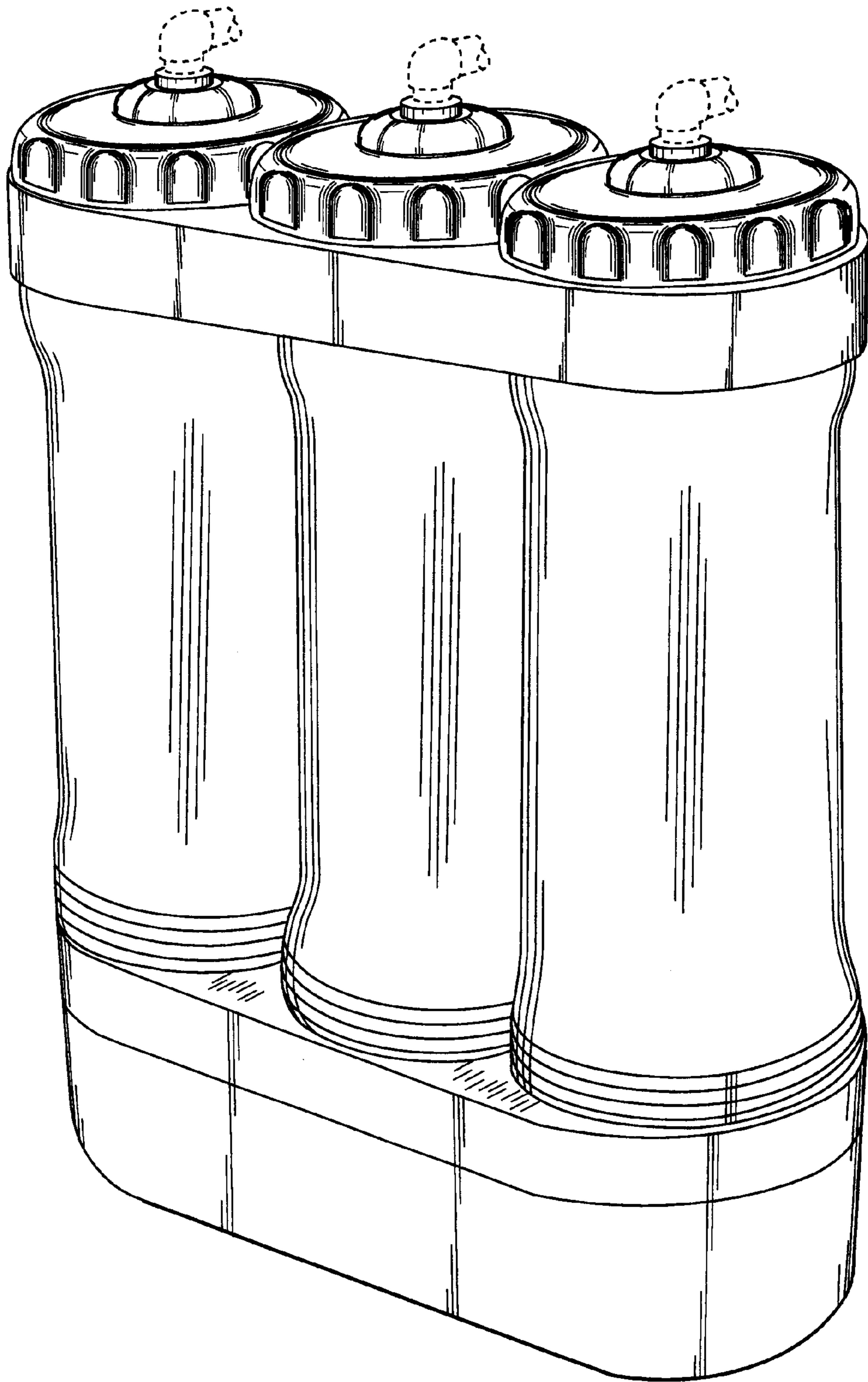


FIG. 1

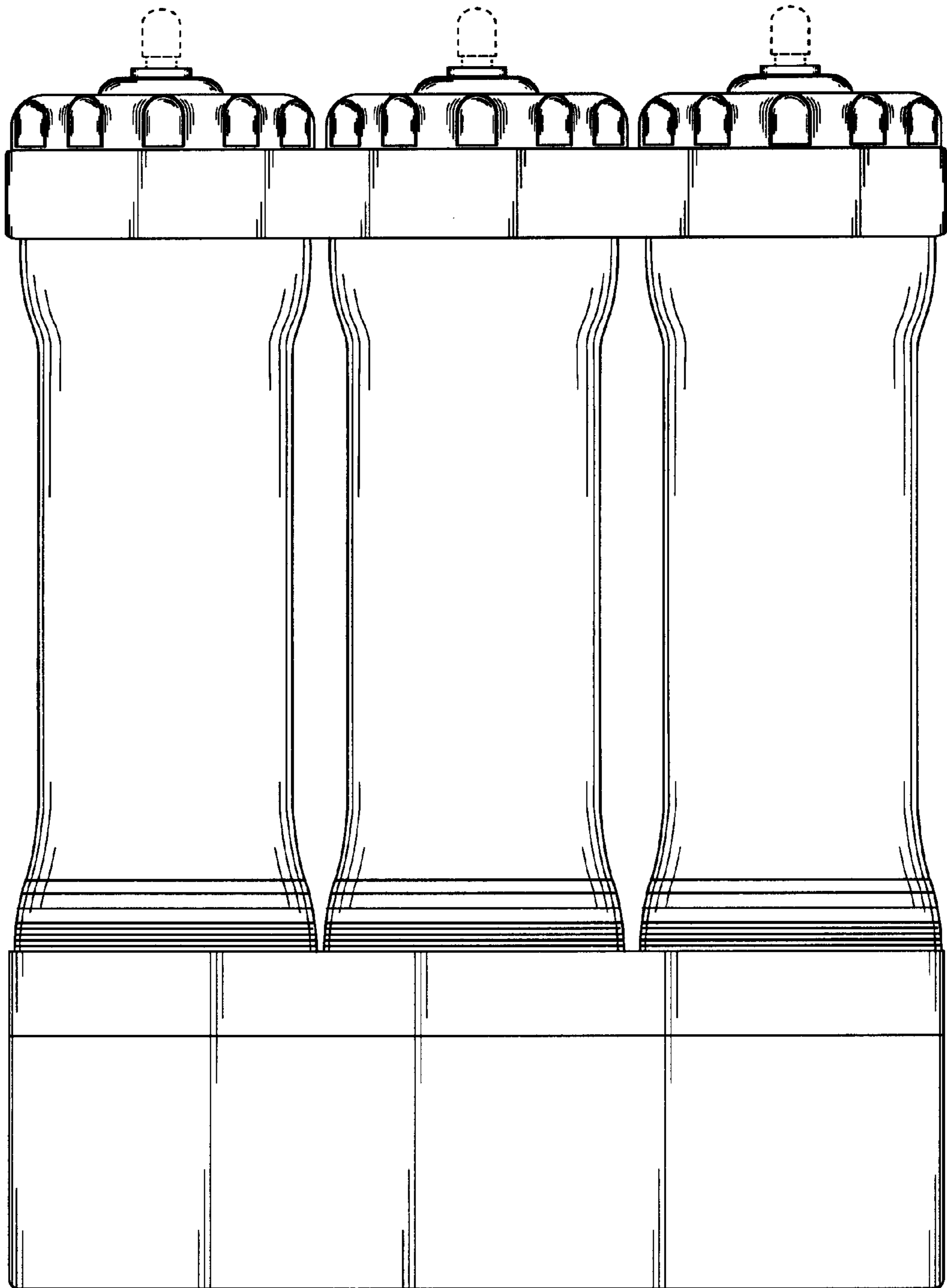


FIG. 2

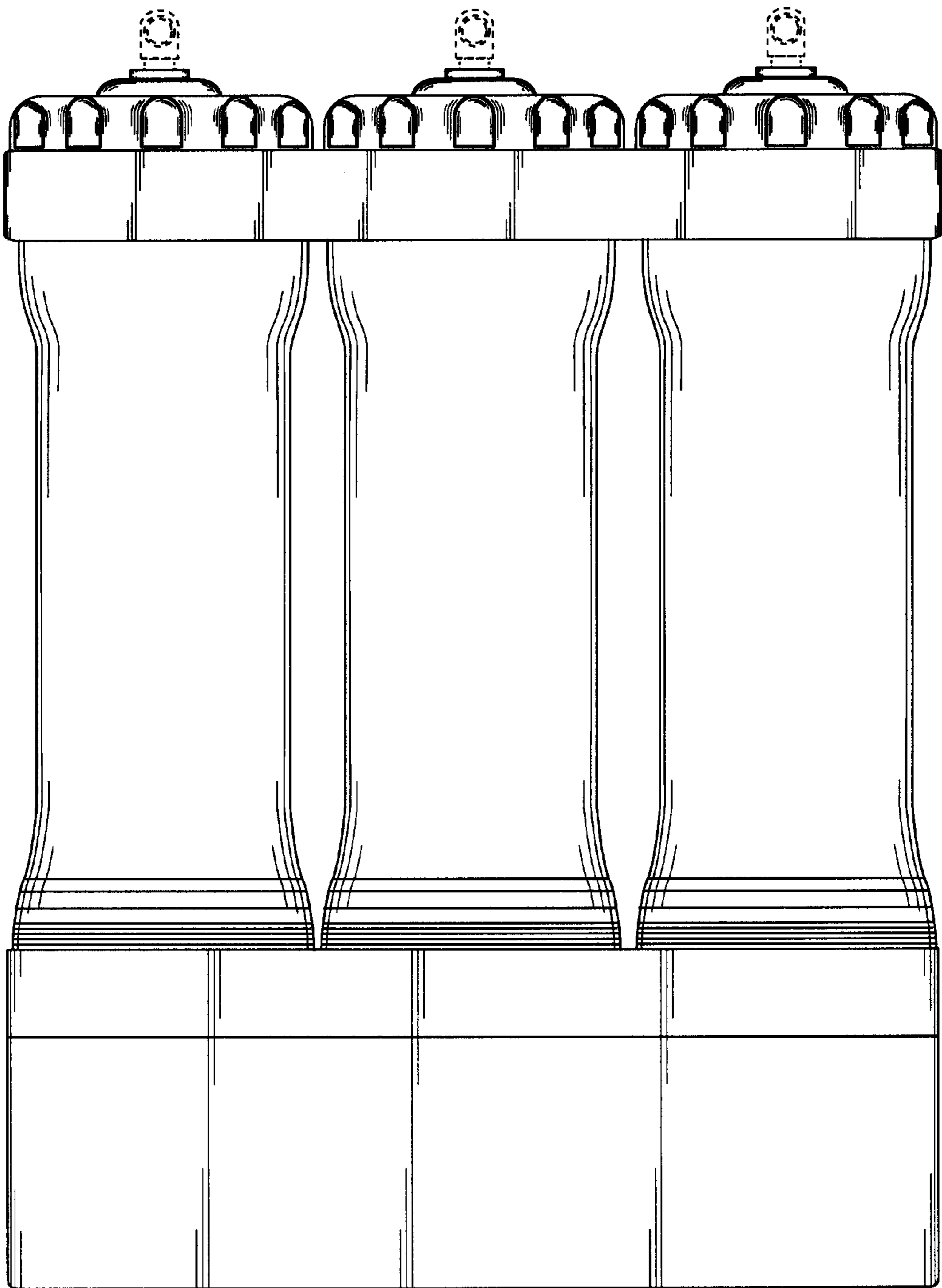


FIG. 3

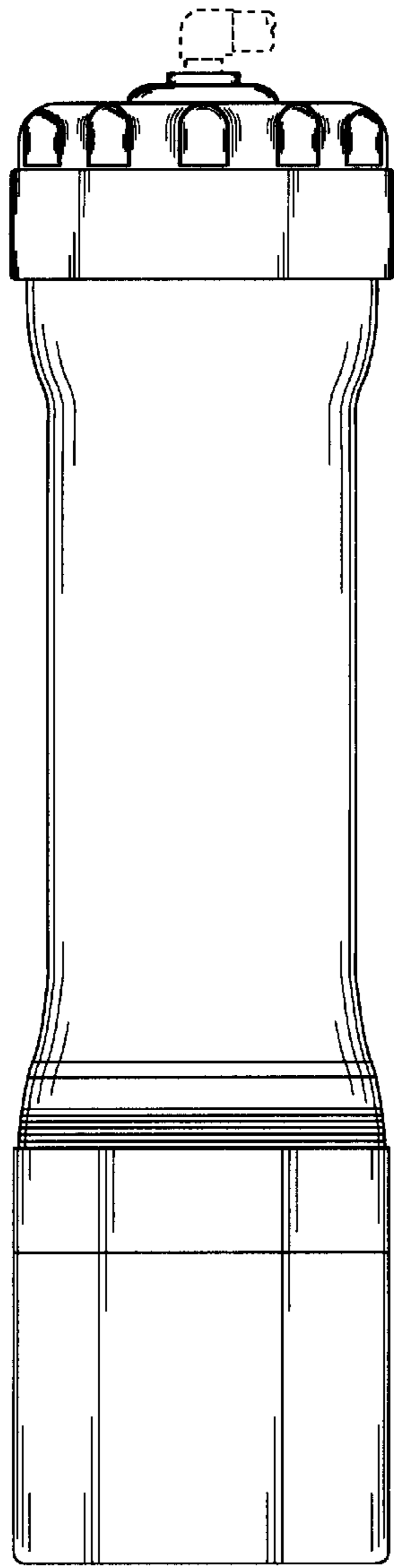


FIG. 4

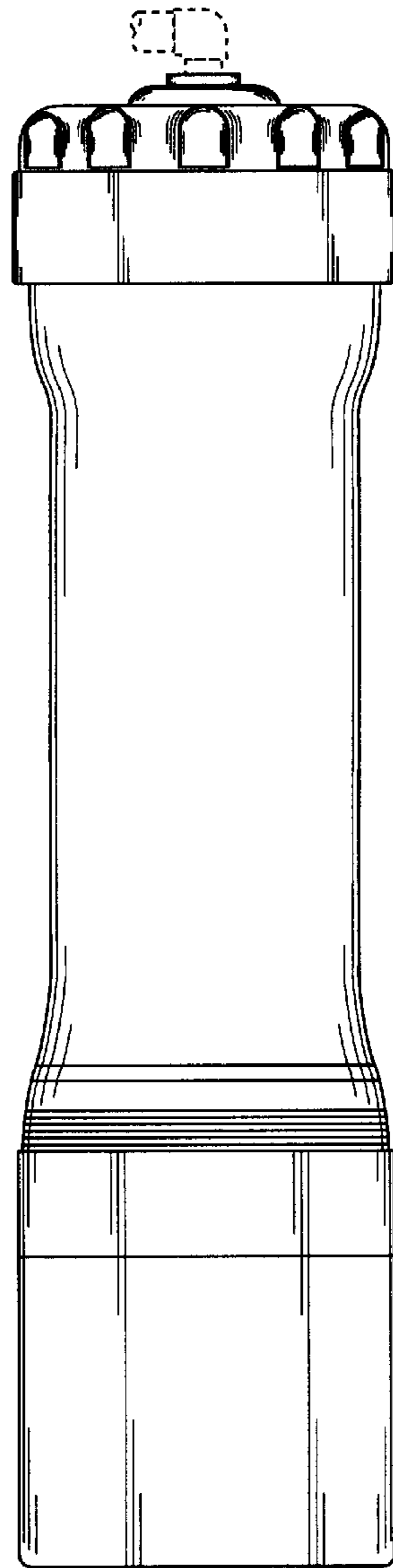


FIG. 5

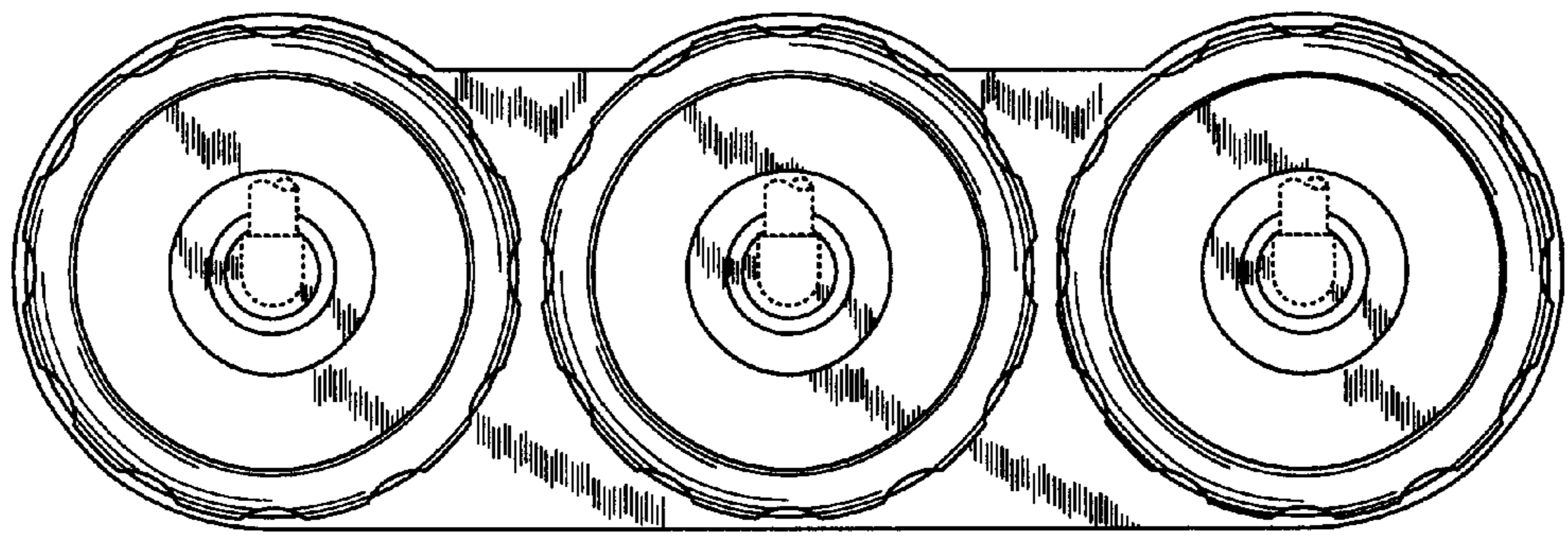


FIG. 6

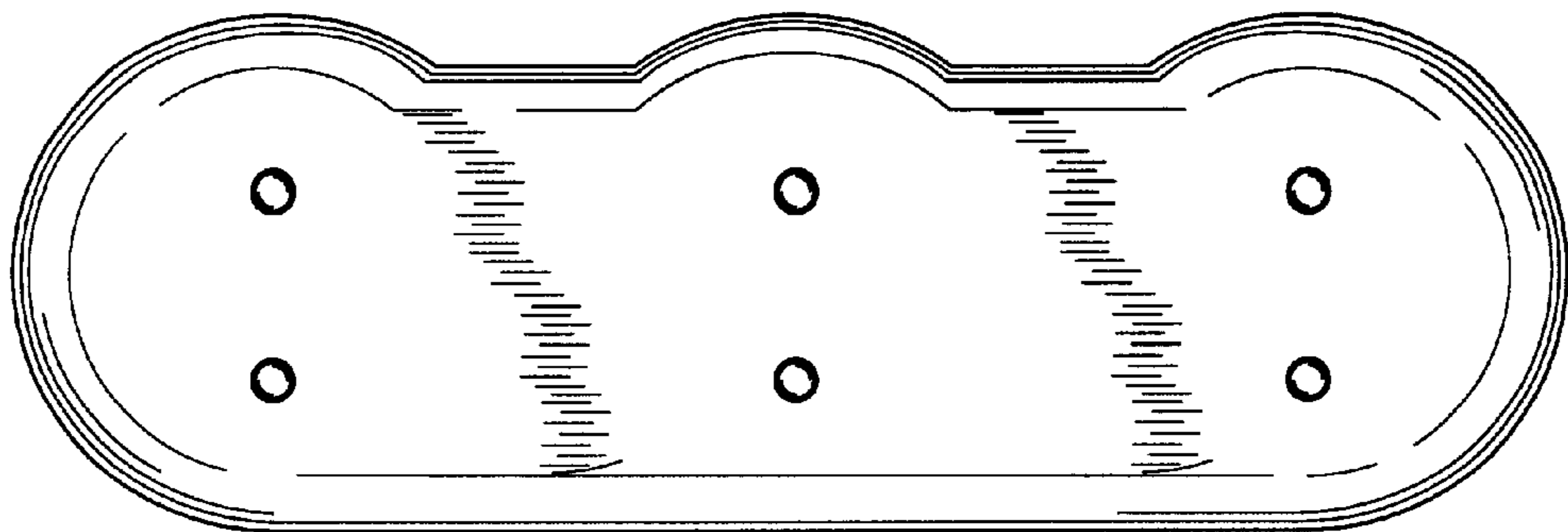


FIG. 7

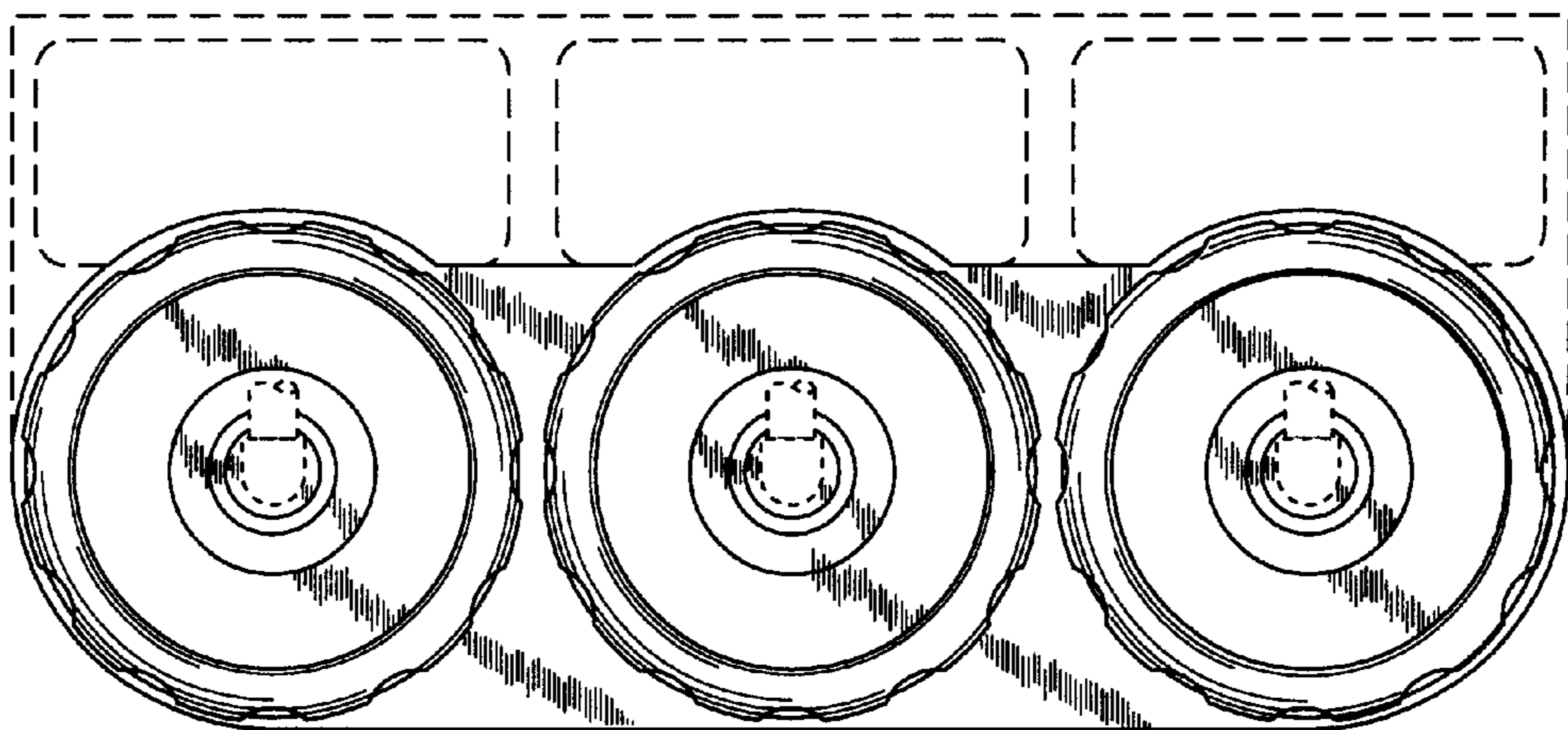


FIG. 8

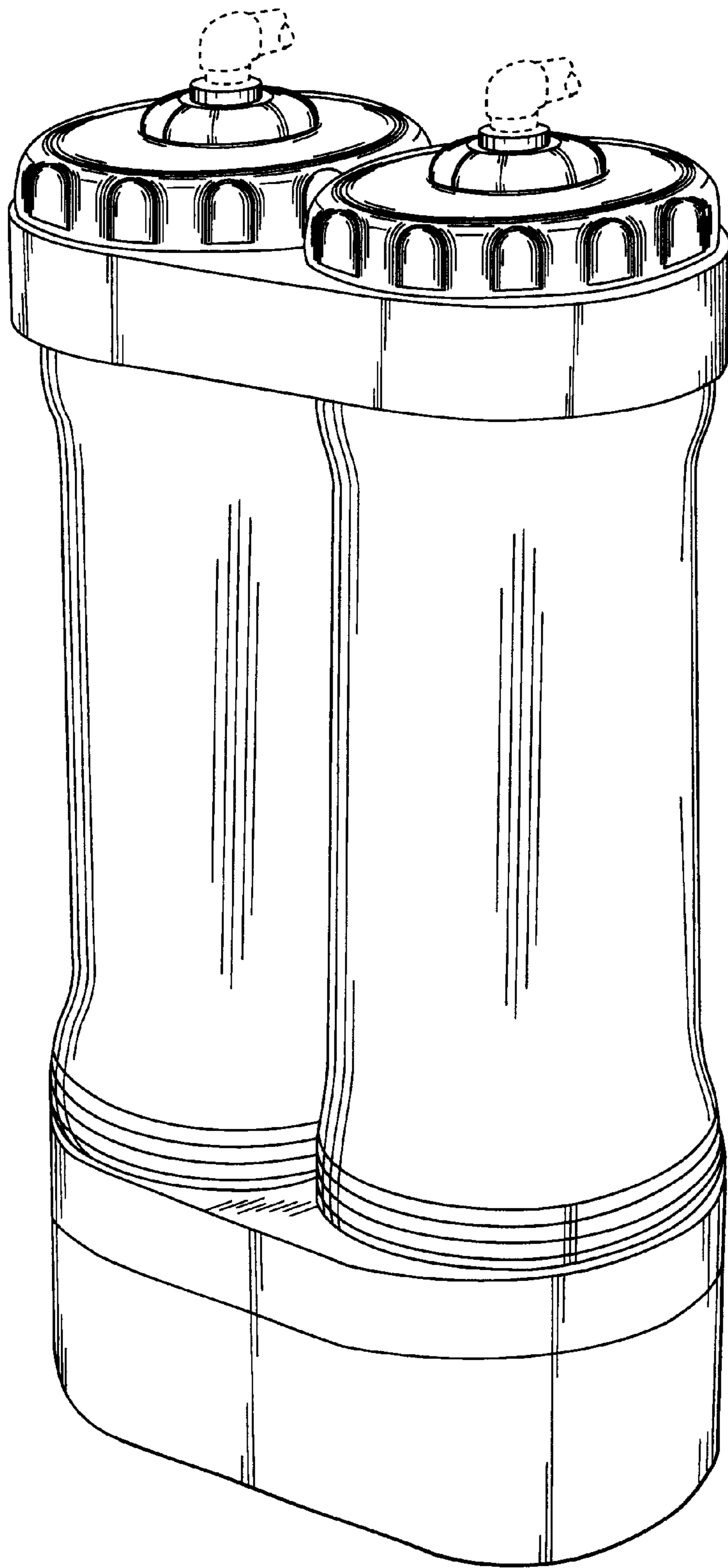


FIG. 9

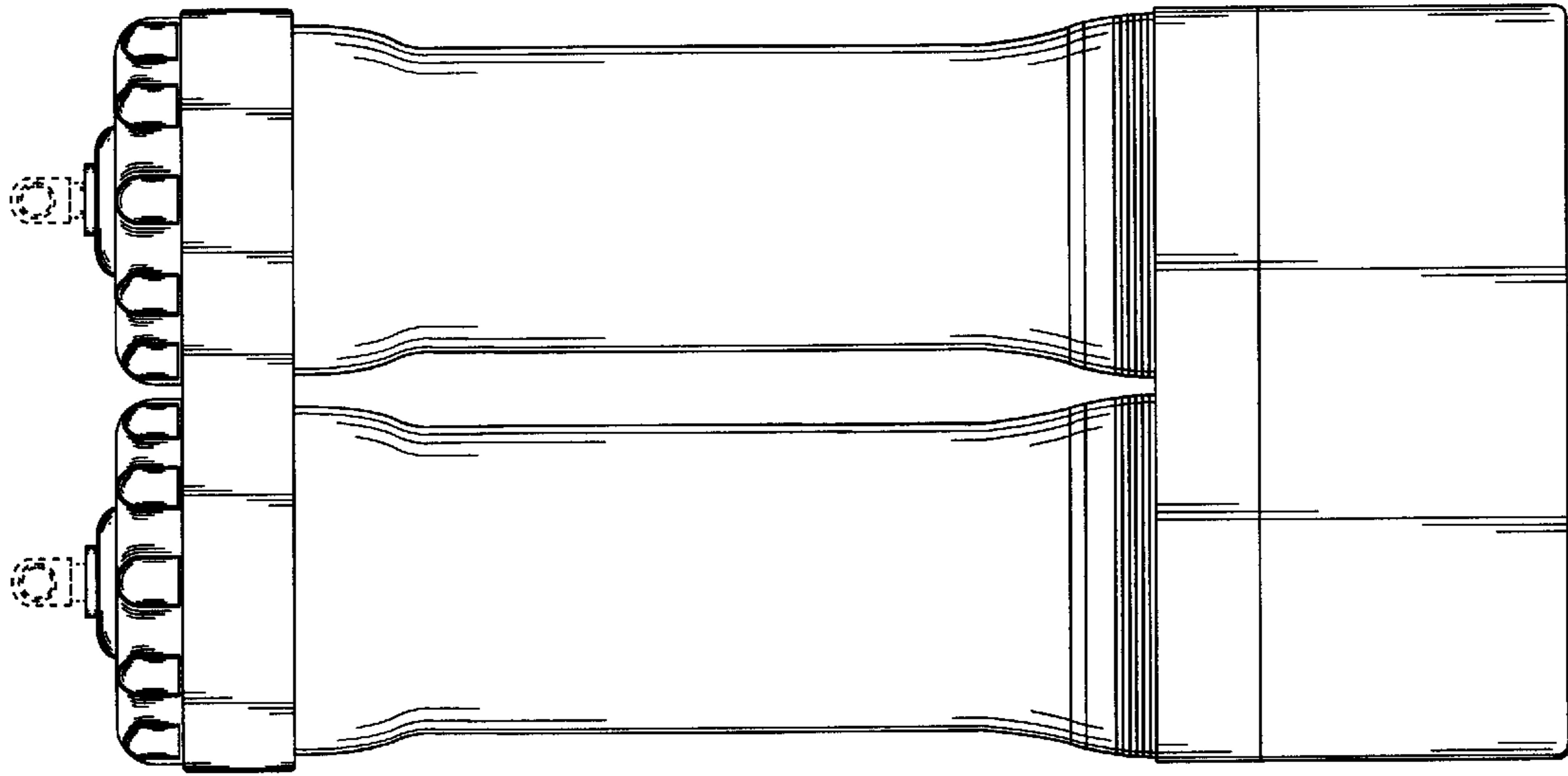


FIG. 11

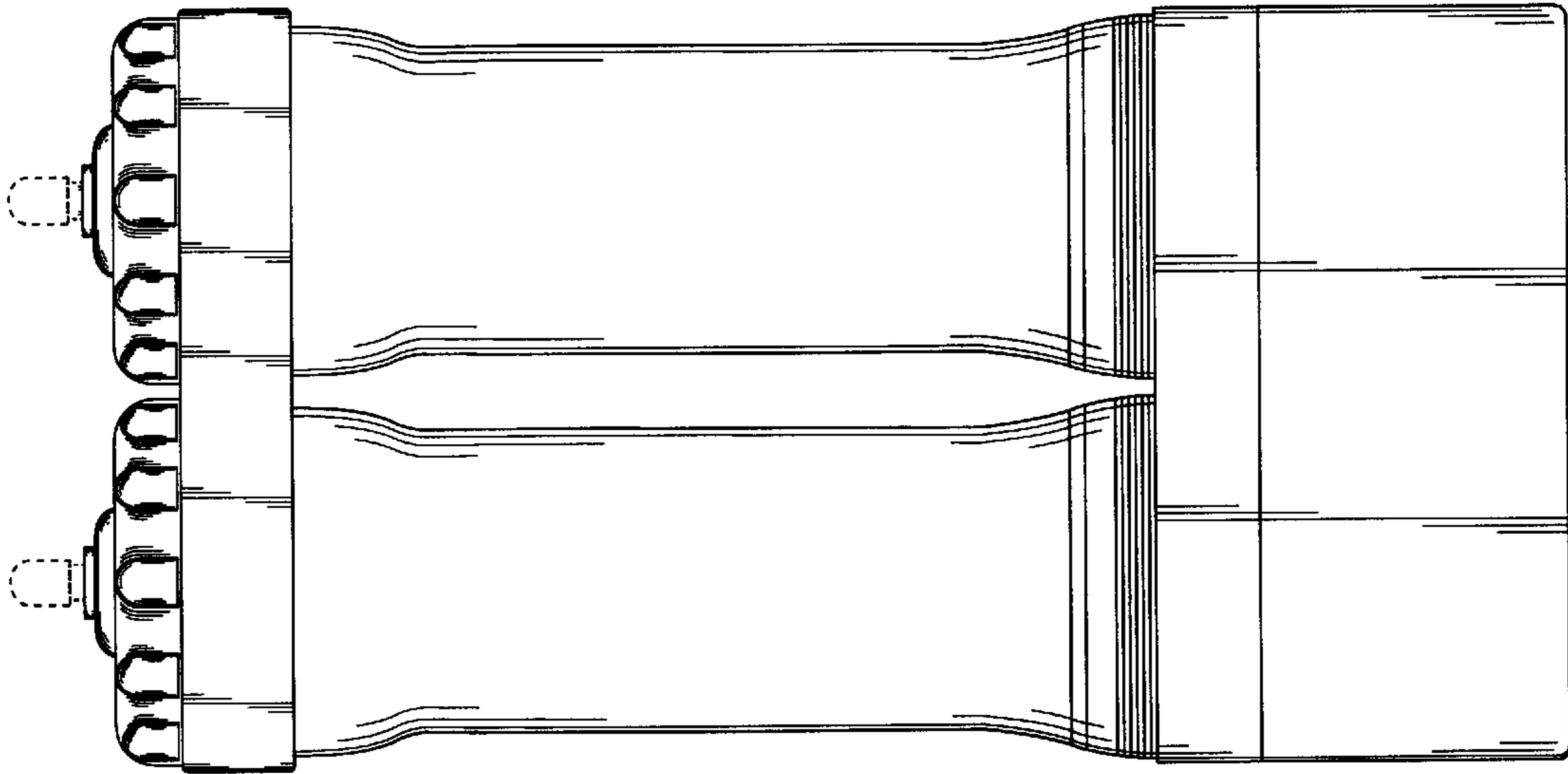


FIG. 10

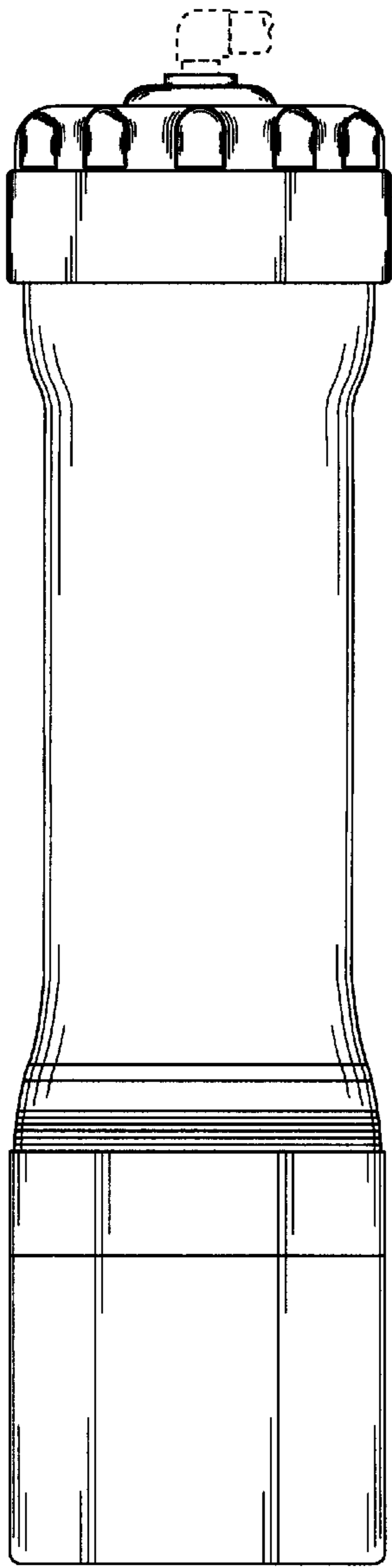


FIG. 12

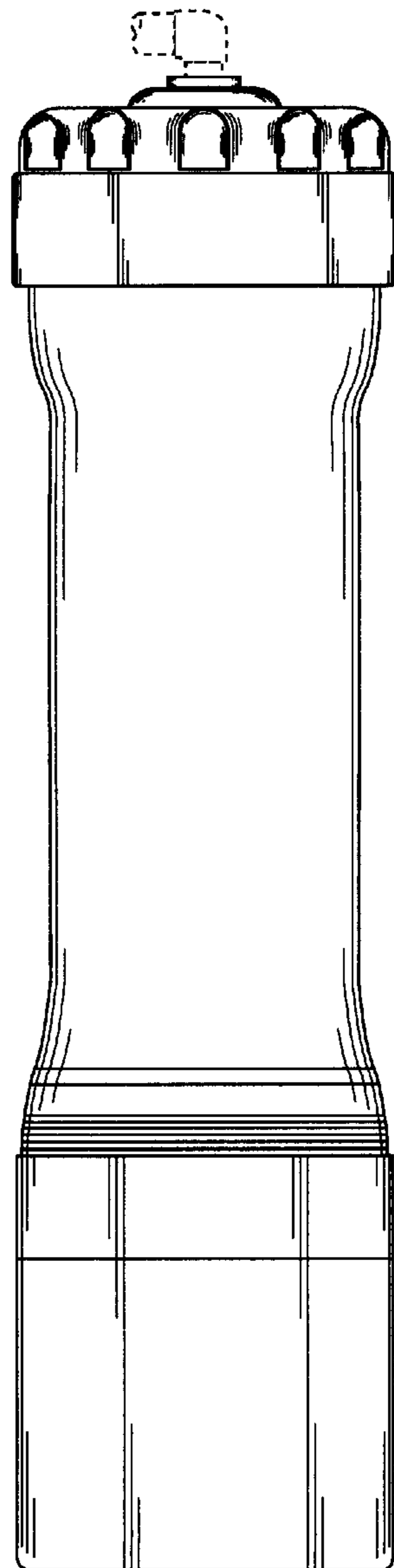


FIG. 13

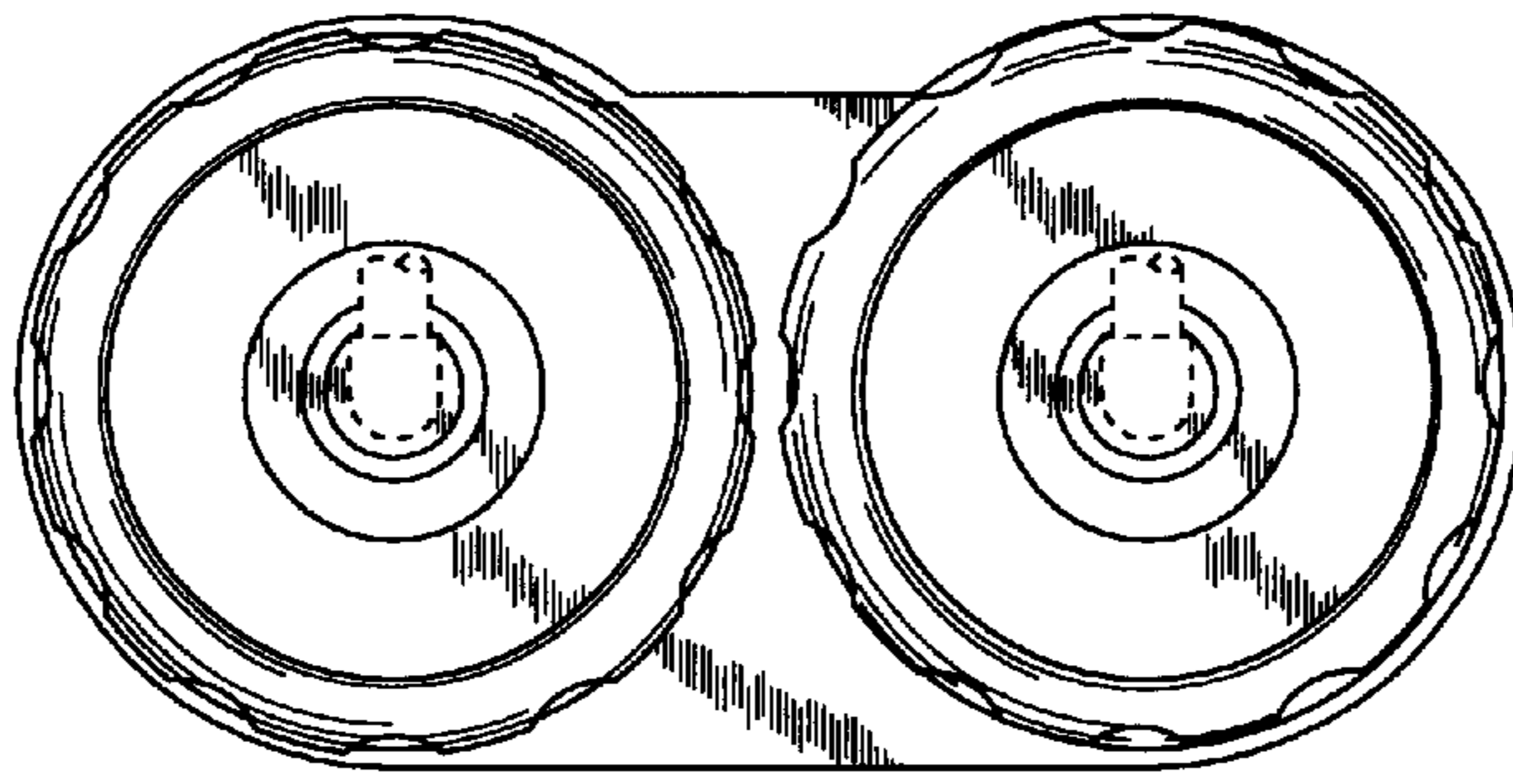


FIG. 14

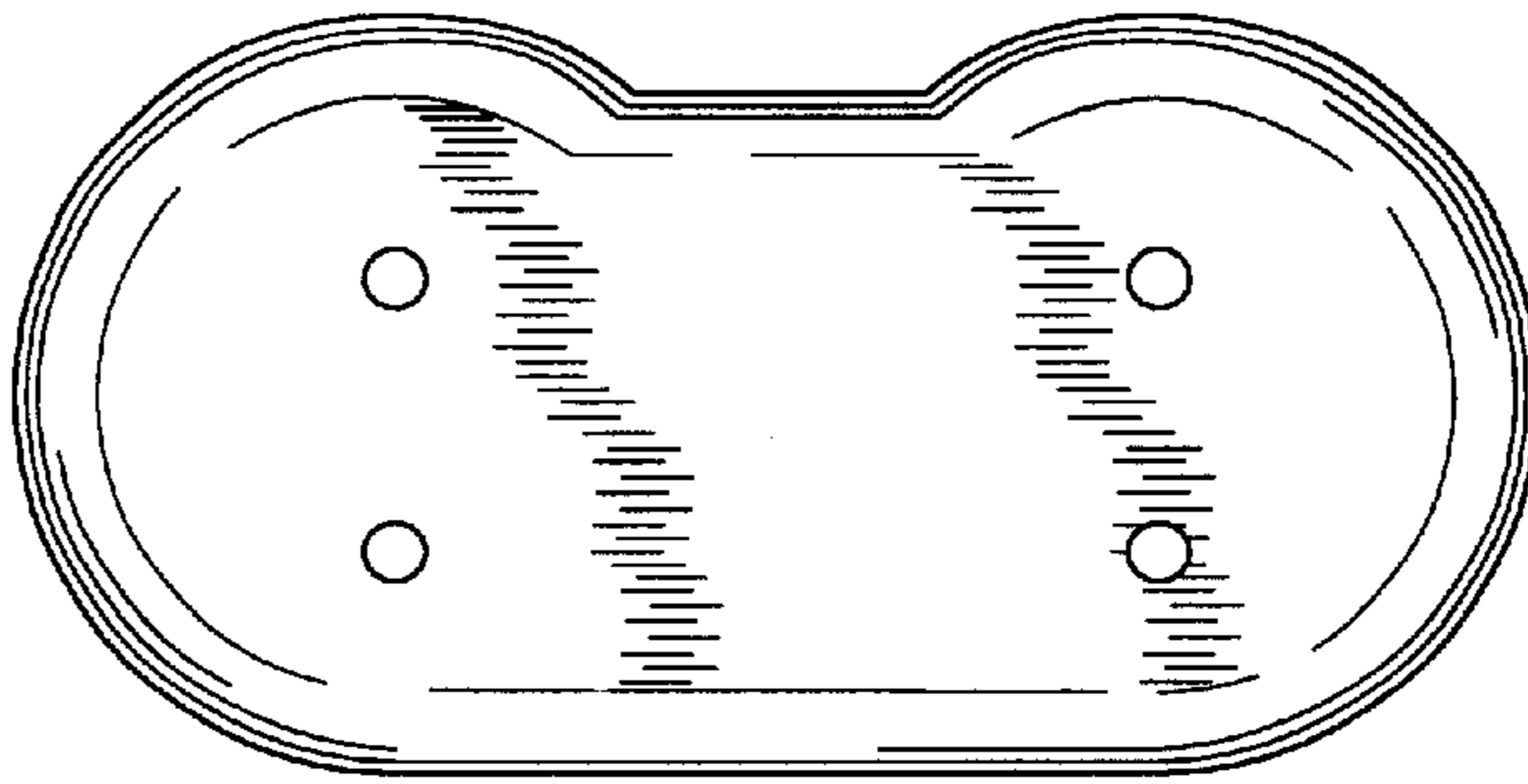


FIG. 15

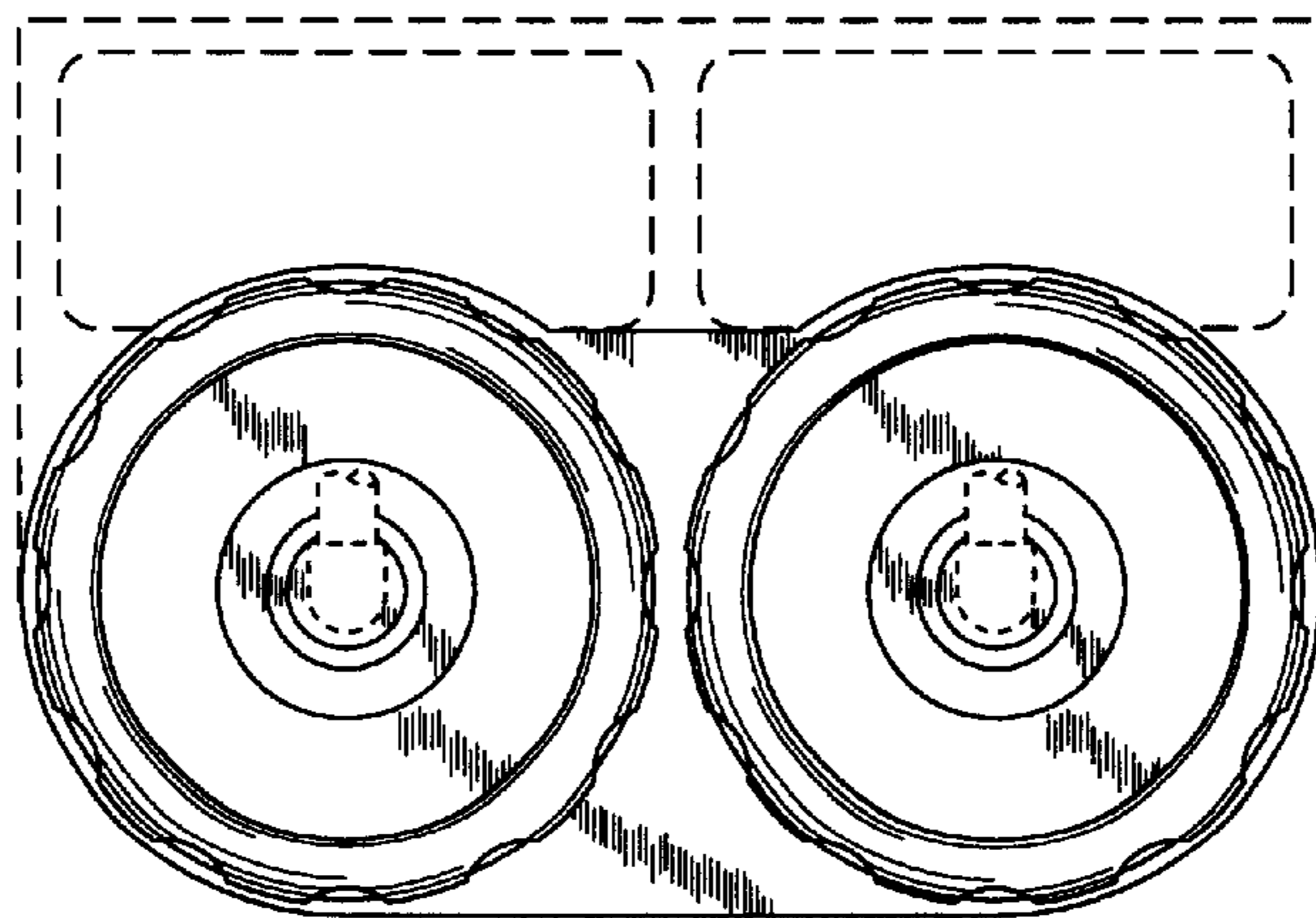


FIG. 16