



US00D454609S

(12) **United States Design Patent**
Meyerhoffer et al.

(10) **Patent No.:** **US D454,609 S**

(45) **Date of Patent:** **** Mar. 19, 2002**

(54) **TENT CENTRAL HUB AND UPPER POLE ATTACHMENTS**

(75) Inventors: **Thomas Meyerhoffer**, Montara; **John Groff**, Oakland, both of CA (US)

(73) Assignee: **NorthPole, Ltd.**, Kowloon (HK)

(**) Term: **14 Years**

(21) Appl. No.: **29/123,903**

(22) Filed: **May 25, 2000**

(51) **LOC (7) Cl.** **21-04**

(52) **U.S. Cl.** **D21/839**

(58) **Field of Search** D21/834-840;
135/98-121, 124-136, 143-147, 155-159,
120.1, 120.3, 33.5

(56) **References Cited**

U.S. PATENT DOCUMENTS

1,669,611	A	*	5/1928	Goldberg	D21/839
4,998,552	A	*	3/1991	Niksic	135/156
5,632,293	A	*	5/1997	Carter	135/127
5,884,646	A	*	3/1999	Ju	135/135
6,167,898	B1	*	1/2001	Larga	135/124
6,230,728	B1	*	5/2001	Reese	135/98
6,237,616	B1	*	5/2001	You	135/33.5

* cited by examiner

Primary Examiner—Raphael Barkai

(74) *Attorney, Agent, or Firm*—Oppenheimer Wolff & Donnelly, LLP; Larry B. Guernsey

(57) **CLAIM**

The ornamental design for a tent central hub and upper pole attachments, as shown and described.

DESCRIPTION

FIG. 1 is an isometric view of a tent central hub and upper pole attachments of the present invention;

FIG. 2 is a top plan view of a tent central hub and upper pole attachments of the present invention;

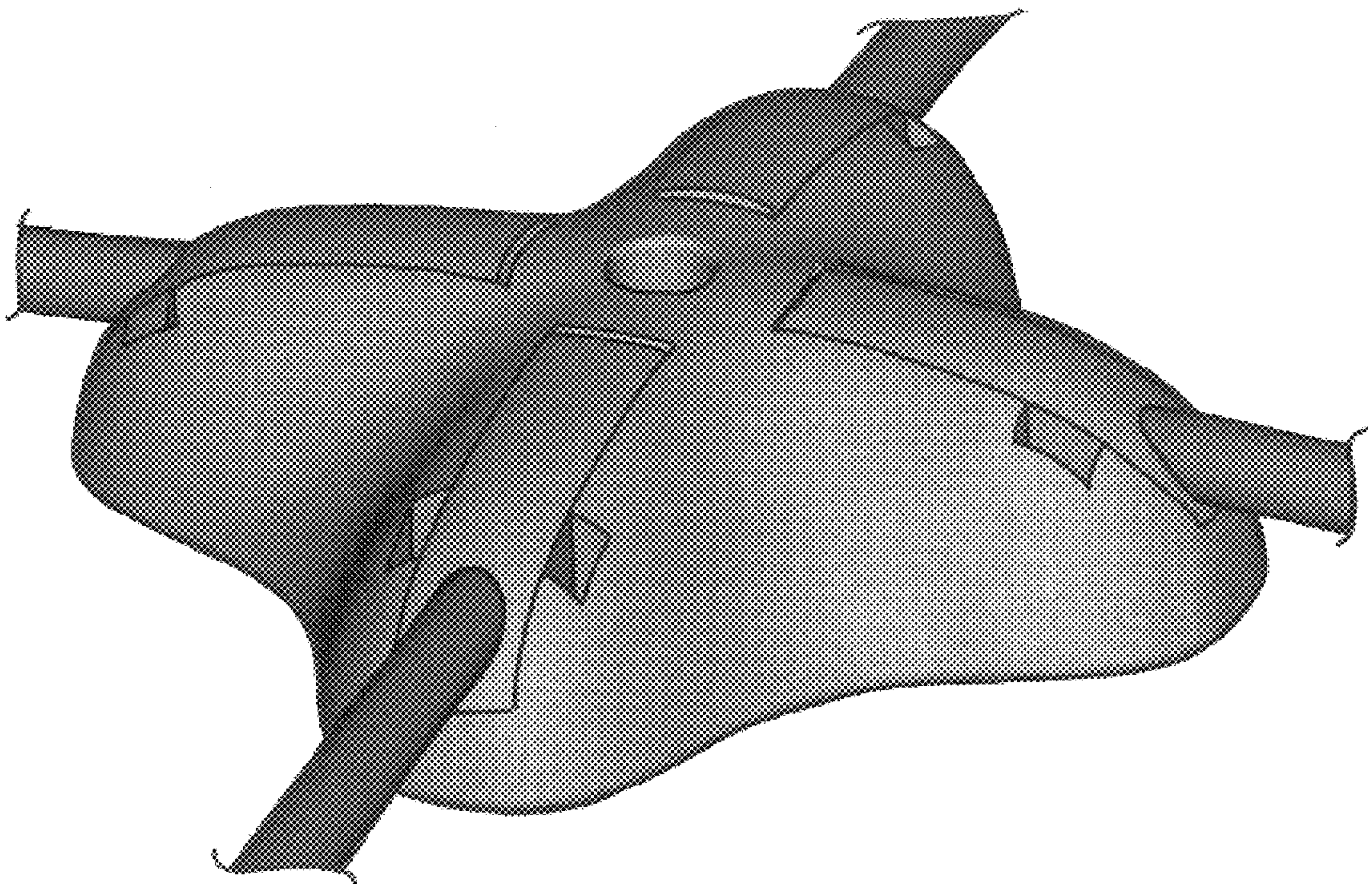
FIG. 3 is a side plan view of a tent central hub and upper pole attachments of the present invention as seen from the arrow referenced as “3” in FIG. 2, and due to the symmetry of the piece, the view of the other three sides will be identical;

FIG. 4 is a side plan view of a tent central hub and upper pole attachments of the present invention as seen from the arrow referenced as “4” in FIG. 2, being a rotation of 45 degrees about an axis through the central hole in the hub from the view seen in FIG. 3, and due to the symmetry of the piece, the view of the other three sides will be identical; and,

FIG. 5 is an exploded isometric view of a tent central hub and upper pole attachments of the present invention, the upper pole attachments showing the curved upper surface that integrates with the curved upper surface of the central hub to create the overall ornamental appearance, the interior portions of the attachments and hub being shown in dashed lines as not part of the ornamental design.

The bottom surface is not illustrated, as it is not seen when in normal use, and is not part of the ornamental design.

1 Claim, 5 Drawing Sheets



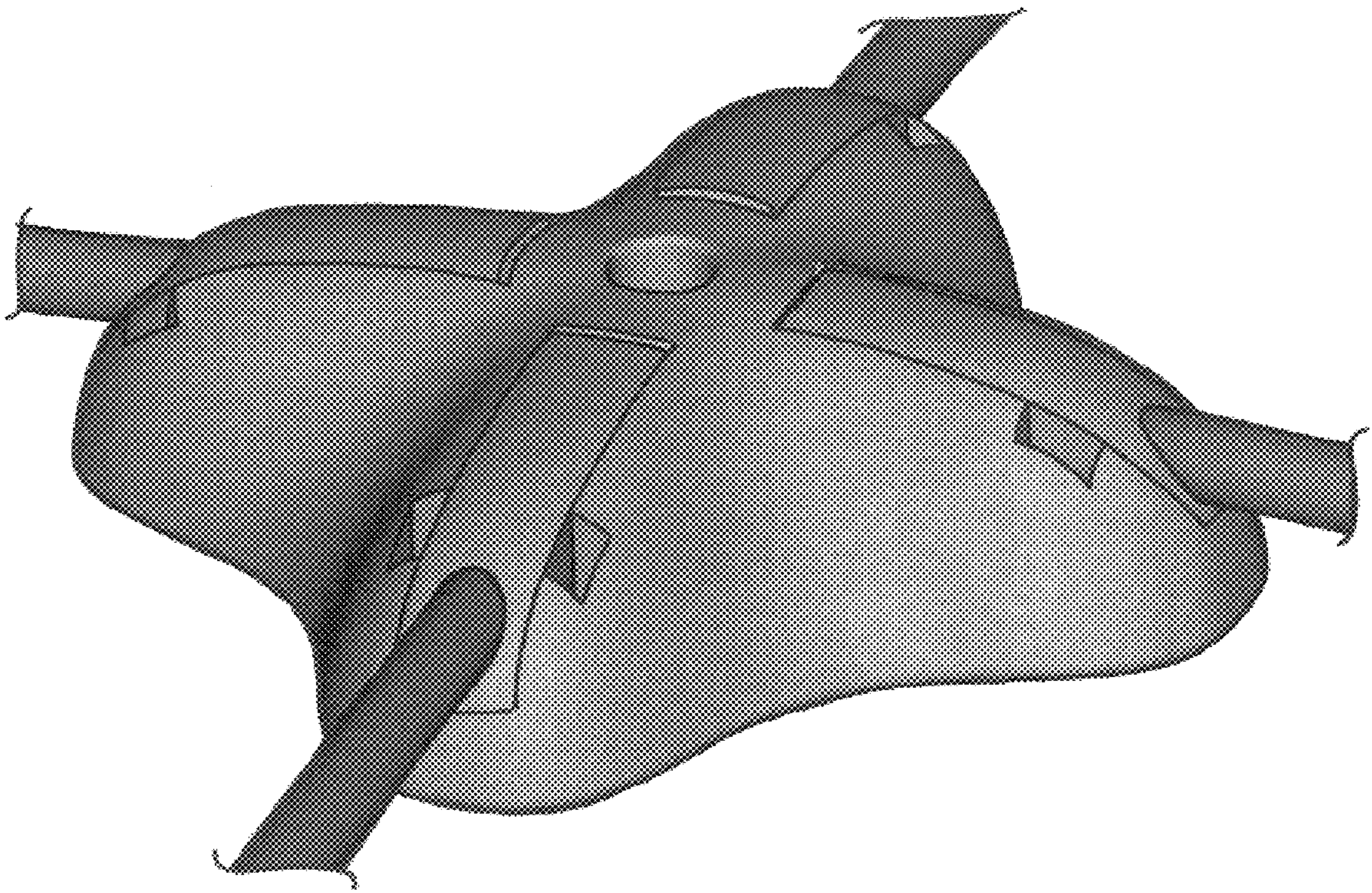


FIGURE 1

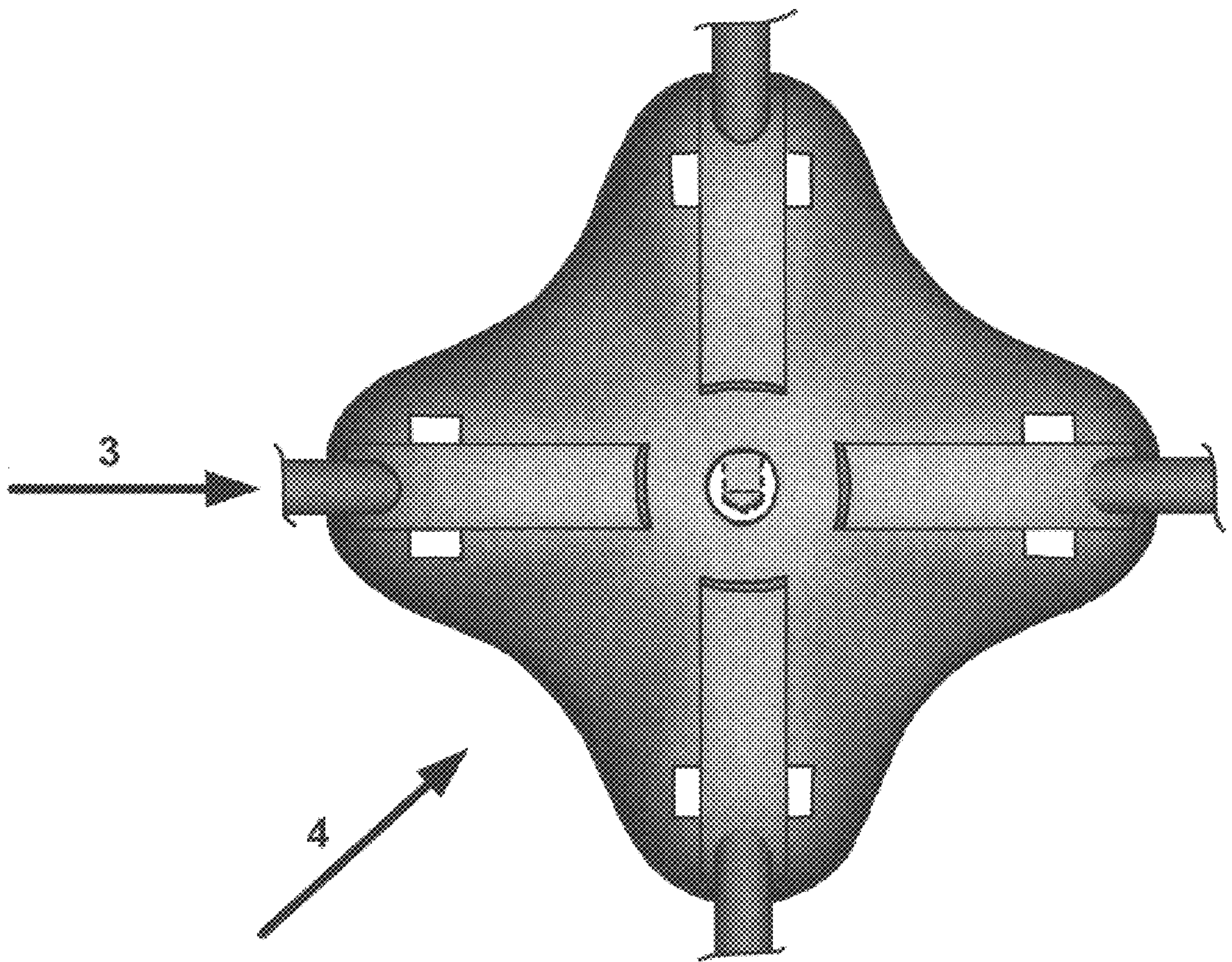


FIGURE 2

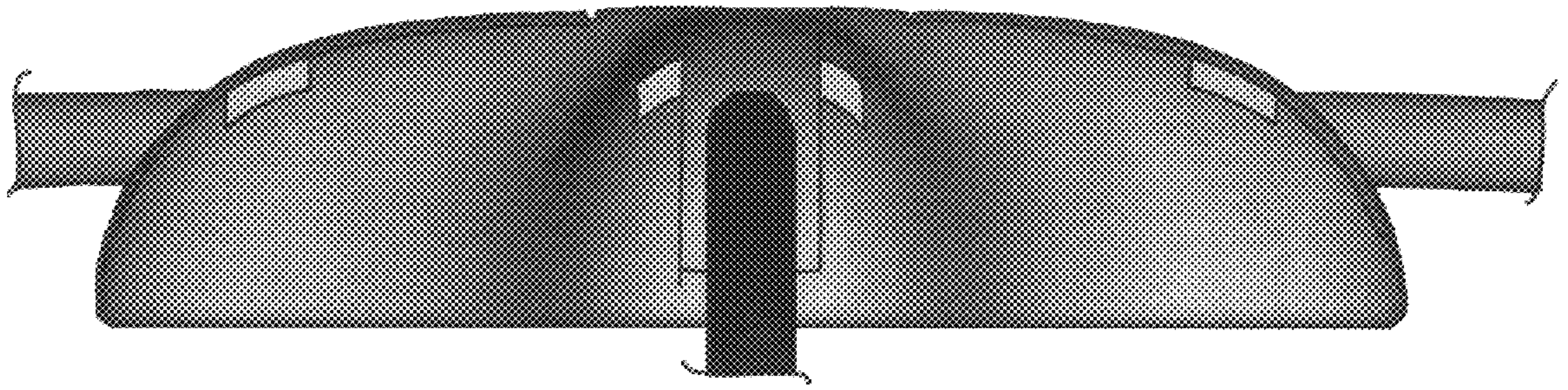


FIGURE 3

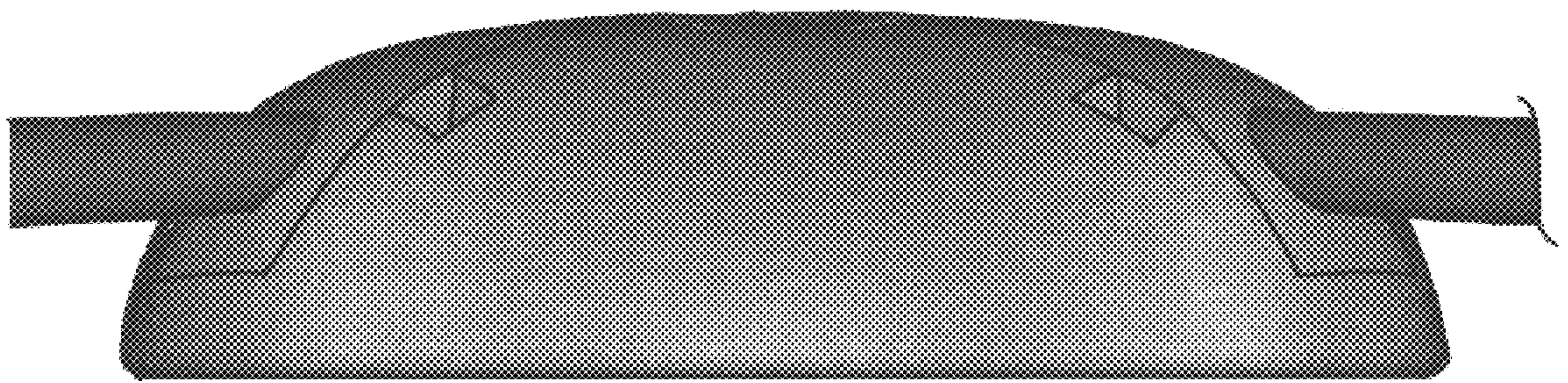


FIGURE 4

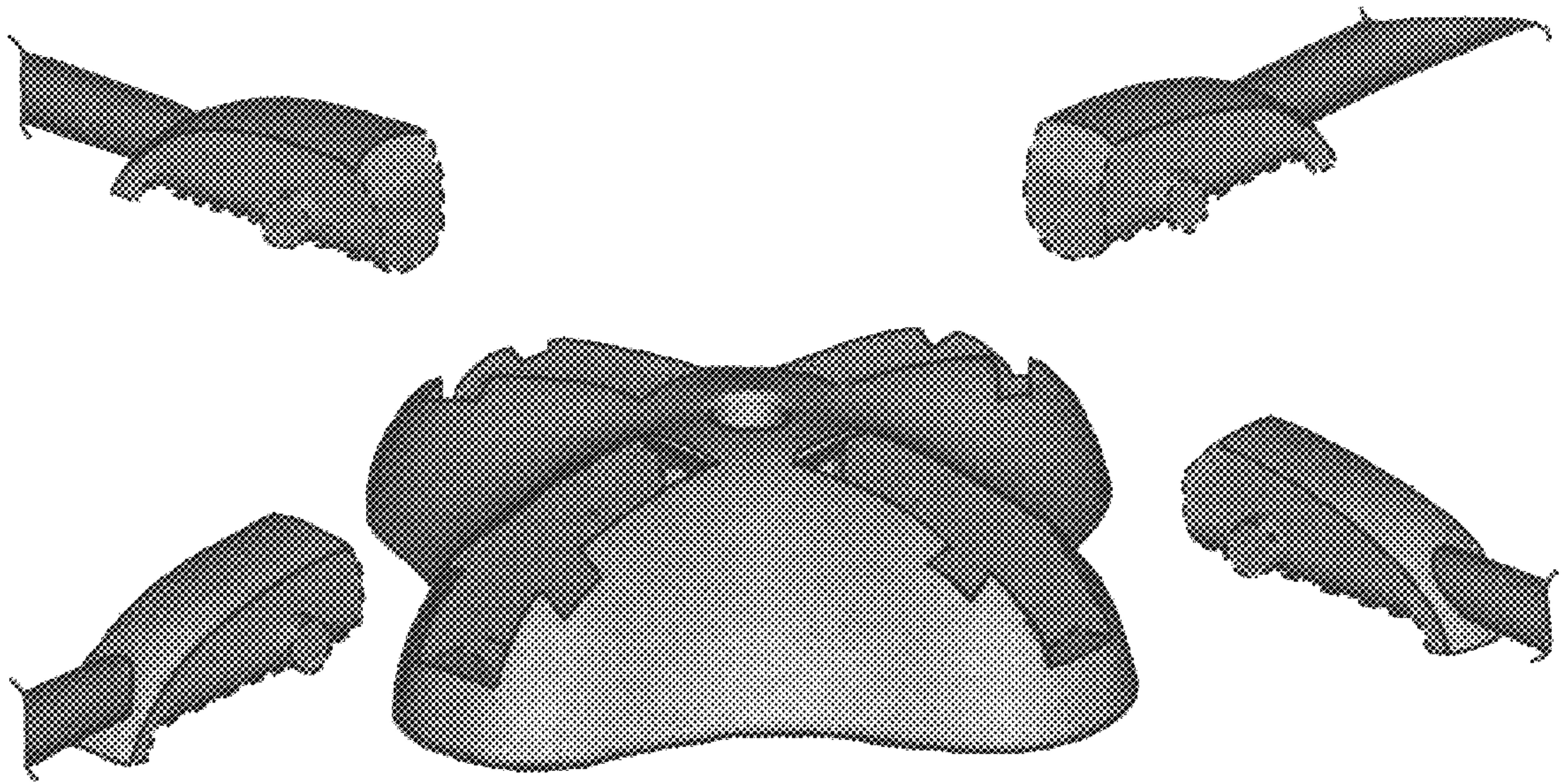


FIGURE 5