



US00D454608S

(12) **United States Design Patent**
Catelli

(10) **Patent No.:** **US D454,608 S**

(45) **Date of Patent:** **** Mar. 19, 2002**

(54) **CHILDREN'S PLAYGROUND ROCKER IN THE SHAPE OF PEAS IN A POD**

D363,523 S * 10/1995 Erlick D21/827
D370,708 S * 6/1996 Erlick D21/827
D370,957 S * 6/1996 Erlick D21/827
D431,066 S * 9/2000 Addleman D21/831

(75) Inventor: **Pietro Catelli**, Como (IT)

* cited by examiner

(73) Assignee: **Artsana S.p.A.**, Grandate (IT)

Primary Examiner—Mitchell Siegel

(**) Term: **14 Years**

(74) *Attorney, Agent, or Firm*—Steinberg & Raskin, P.C.

(21) Appl. No.: **29/136,107**

(57) **CLAIM**

(22) Filed: **Jan. 25, 2001**

I claim the ornamental design for a children's playground rocker in the shape of peas in a pod, as shown and described.

(30) **Foreign Application Priority Data**

DESCRIPTION

Sep. 20, 2000 (IT) MI2000639

FIG. 1 is a front elevational view of a children's playground rocker in the shape of peas in a pod showing my new design; FIG. 2 is a right side elevational view thereof, (the left side elevational view being a mirror image of the right side elevational view); FIG. 3 is a top plan view thereof; FIG. 4 is a rear elevational view thereof; and, FIG. 5 is a bottom plan view thereof.

(51) **LOC (7) Cl.** **21-03**

(52) **U.S. Cl.** **D21/831**

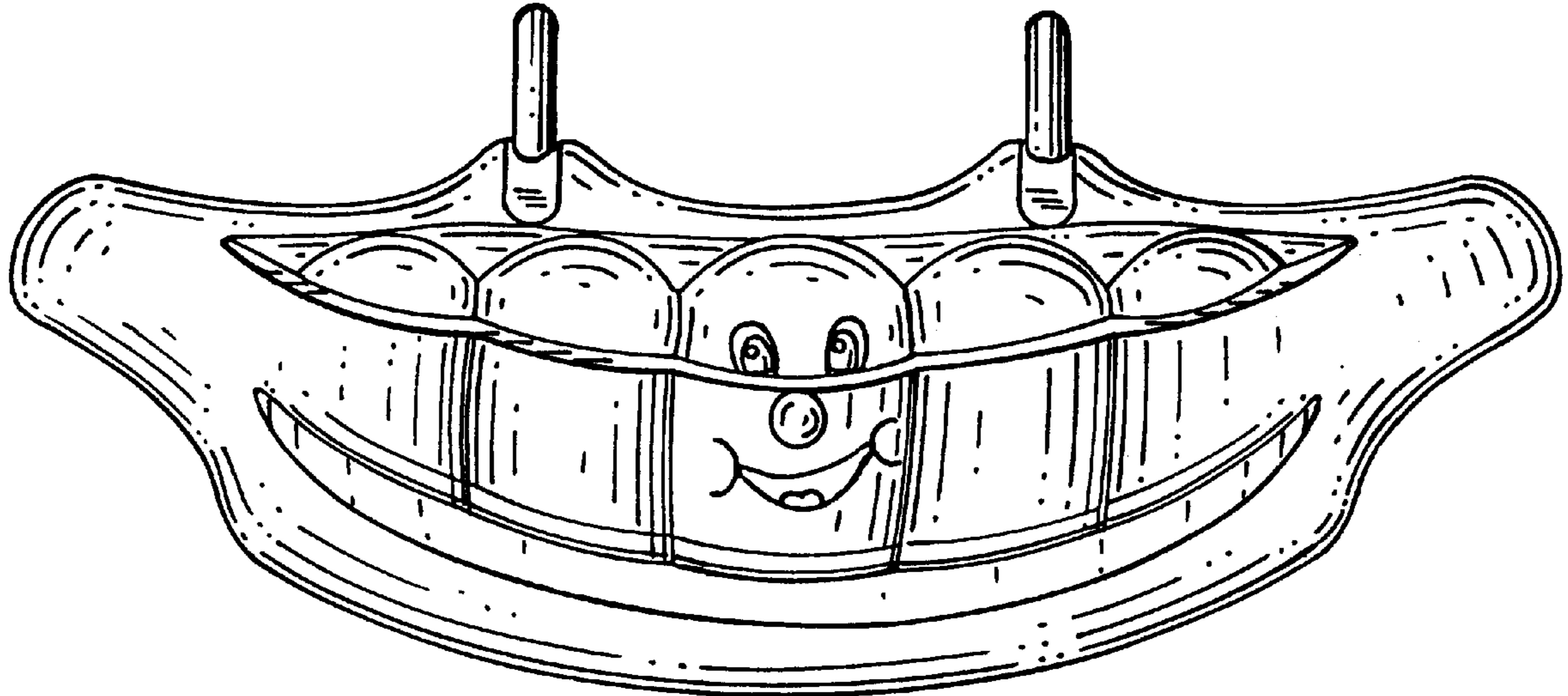
(58) **Field of Search** D21/811, 814, D21/828, 831, 820, 825, 816, 832; 472/95-105

(56) **References Cited**

U.S. PATENT DOCUMENTS

D363,522 S * 10/1995 Erlick D21/827

1 Claim, 3 Drawing Sheets



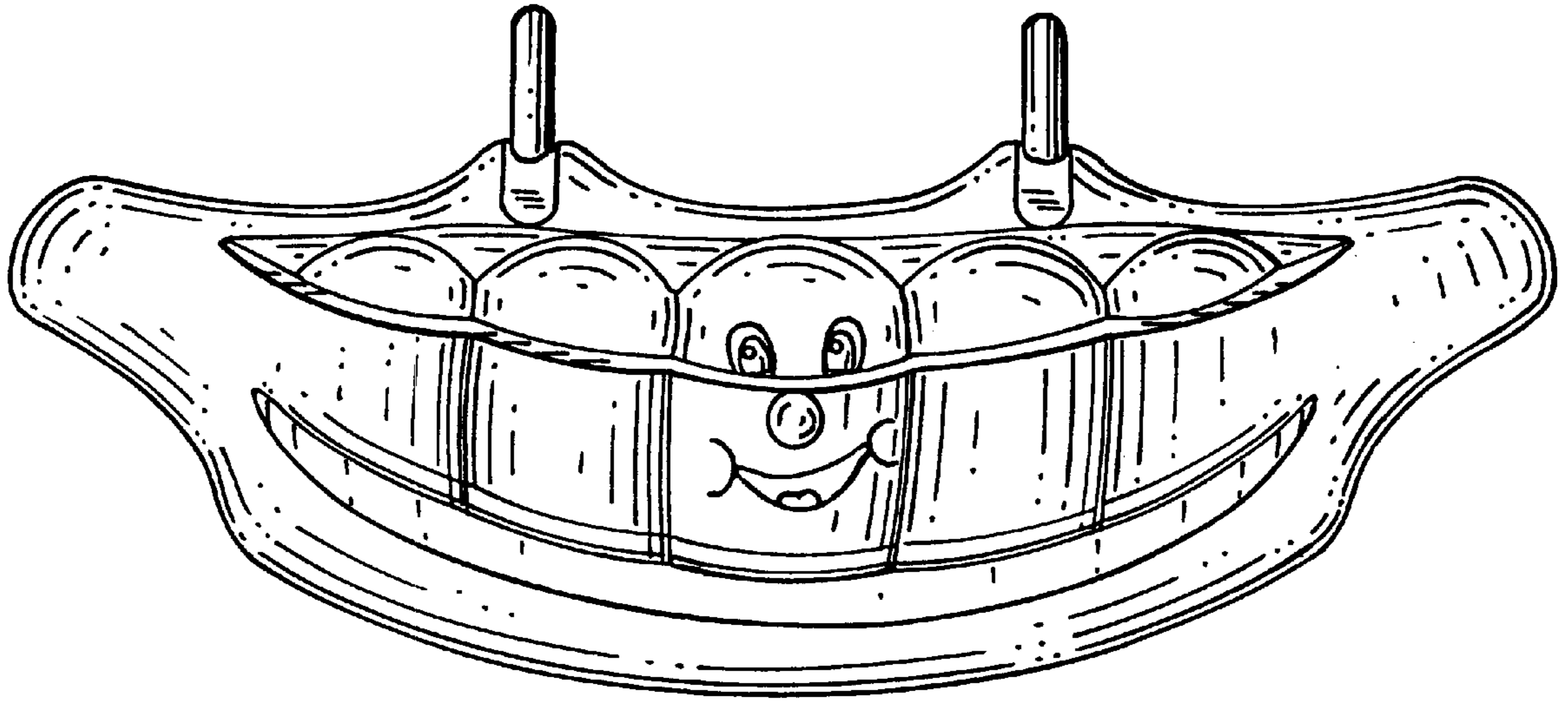


FIG. 1

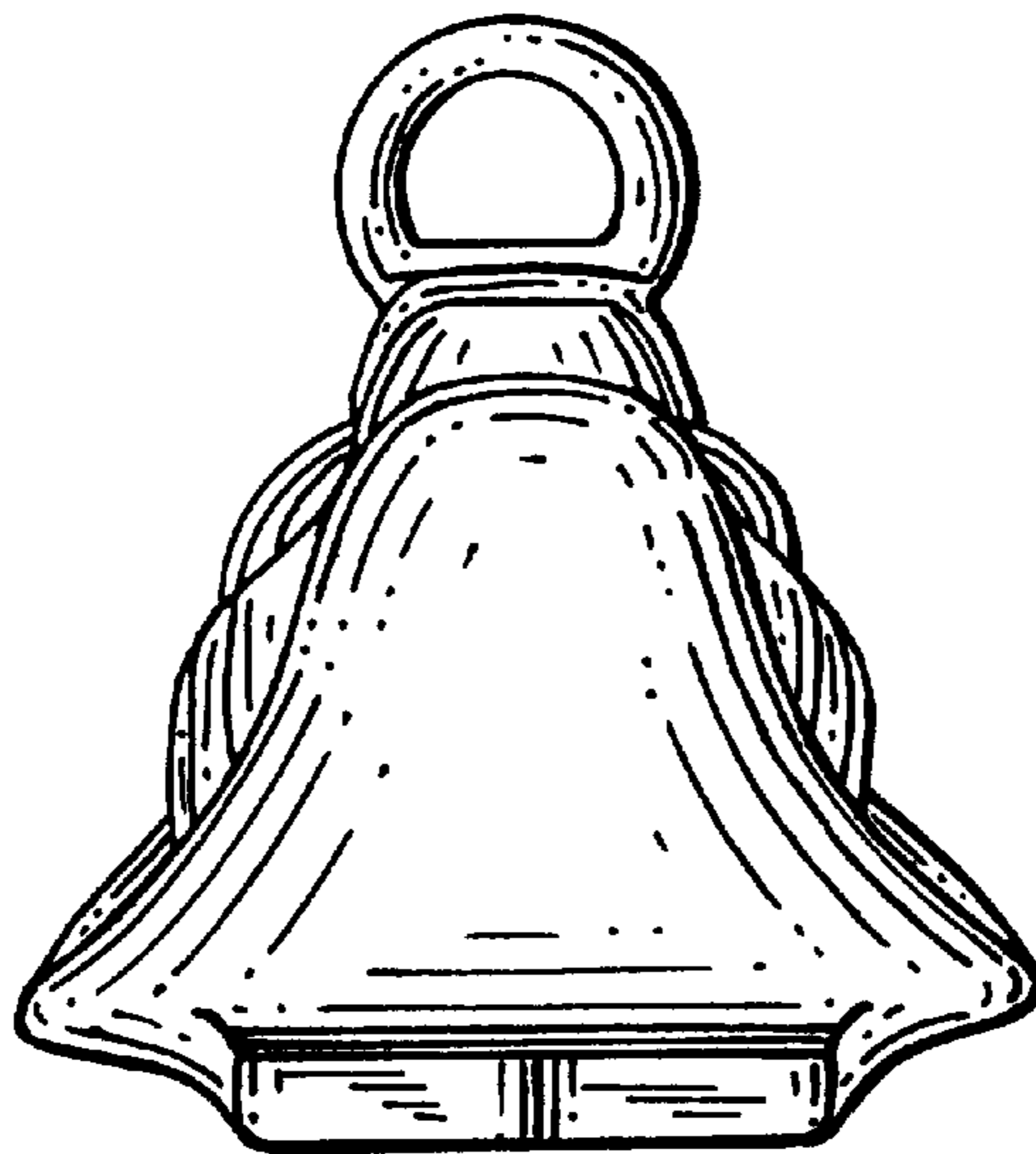


FIG. 2

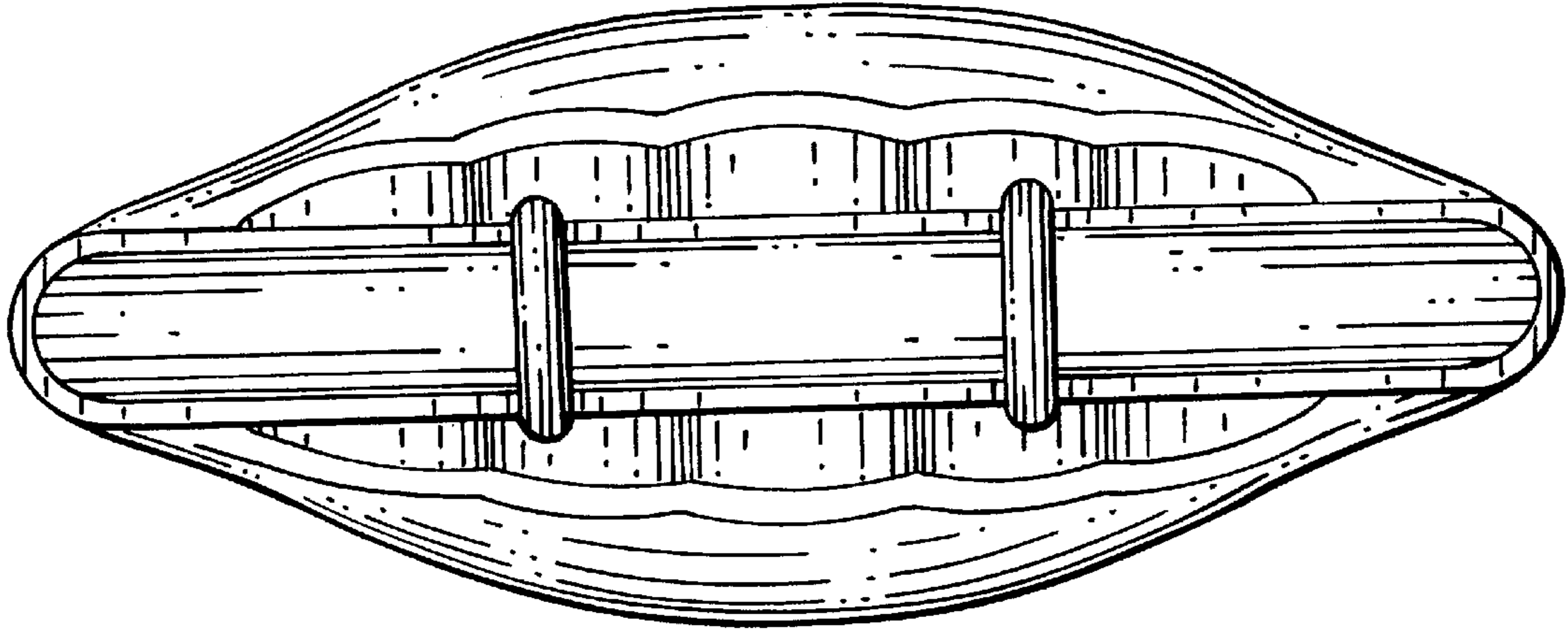


FIG. 3

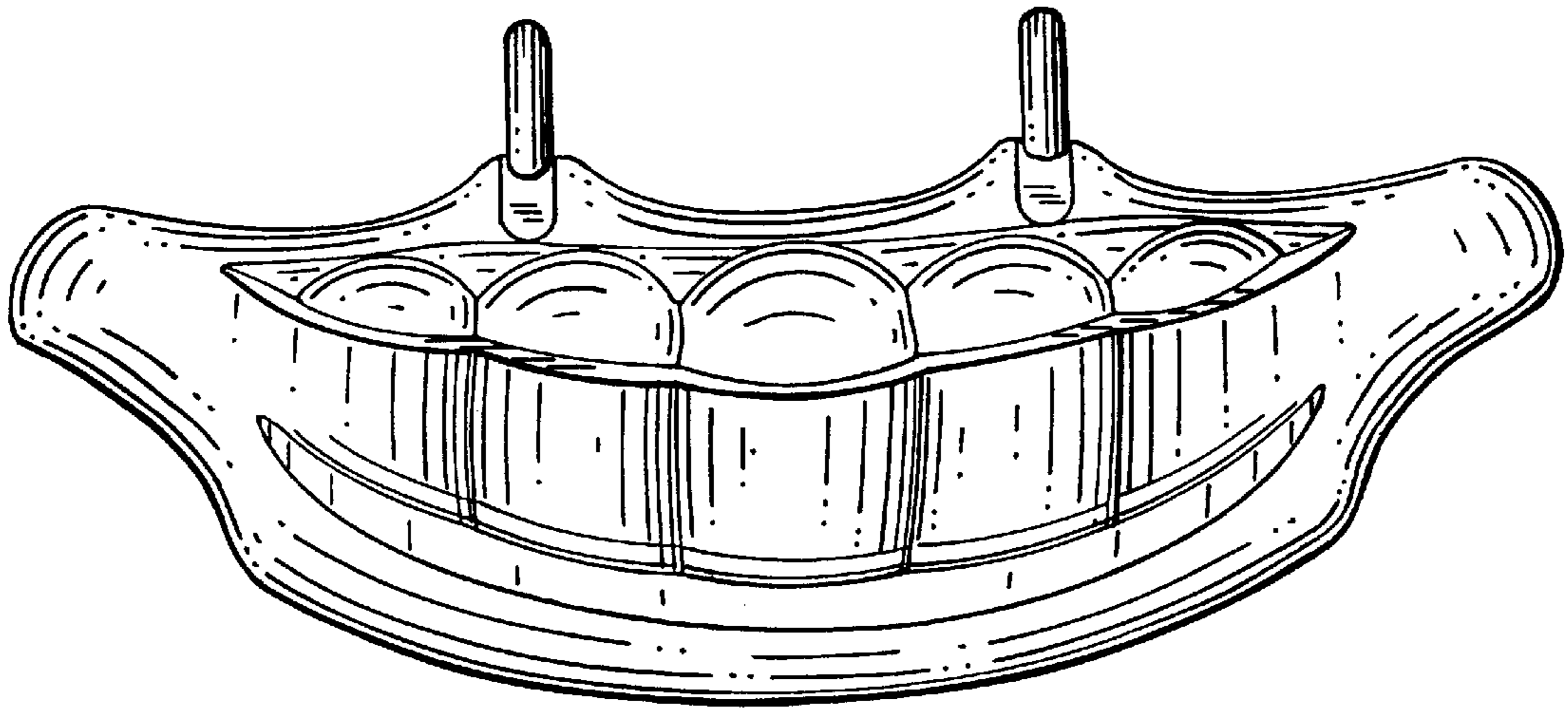


FIG. 4

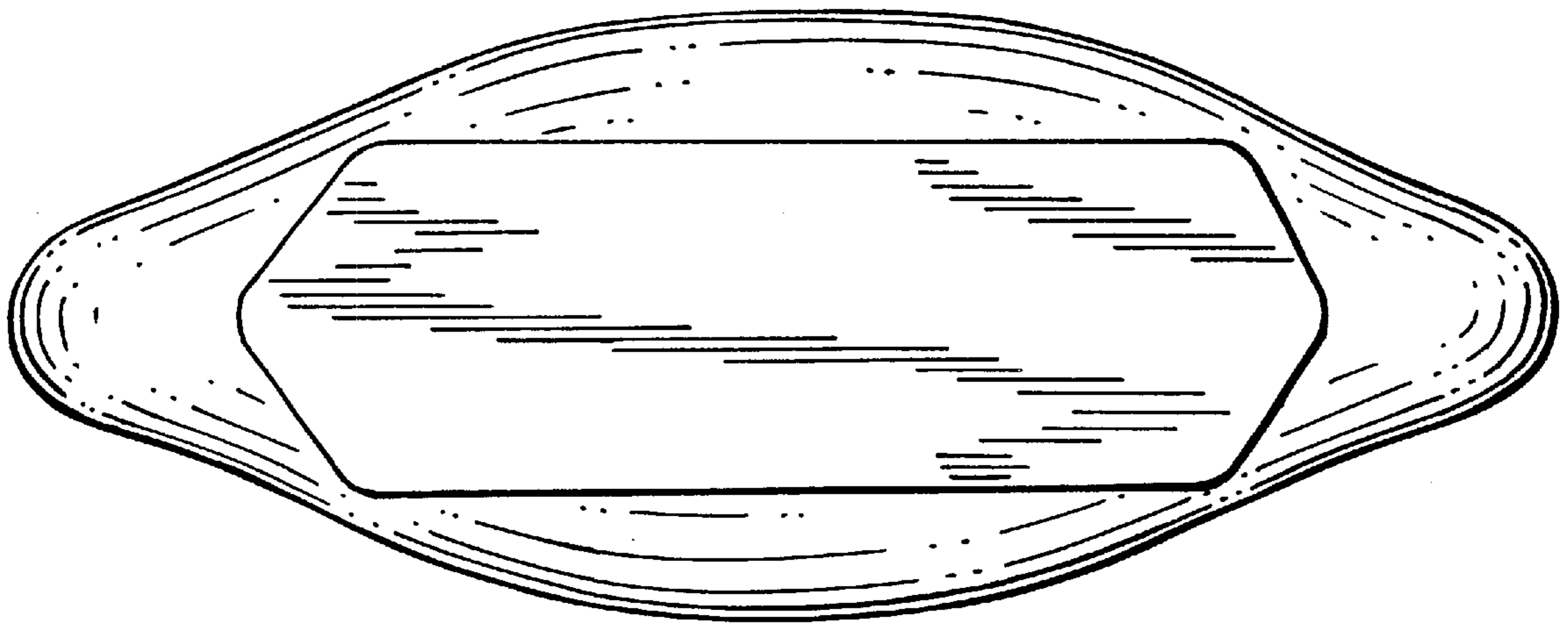


FIG. 5